



US00D539002S

(12) **United States Design Patent**
Curry

(10) **Patent No.:** **US D539,002 S**

(45) **Date of Patent:** **** Mar. 20, 2007**

(54) **SET OF CREEPER ENDS**

(75) Inventor: **David D. Curry**, Kenosha, WI (US)

(73) Assignee: **Whiteside Mfg. Co.**, Delaware, OH (US)

(**) Term: **14 Years**

(21) Appl. No.: **29/253,571**

(22) Filed: **Feb. 8, 2006**

(51) **LOC (8) Cl.** **12-02**

(52) **U.S. Cl.** **D34/27**

(58) **Field of Classification Search** D34/12-27;
280/32.6, 32.5, 79.11, 79.2, 79.7; 362/486,
362/220

See application file for complete search history.

(56) **References Cited**

U.S. PATENT DOCUMENTS

920,553 A	5/1909	Farland et al.
1,098,262 A	5/1914	Hollingshead
1,104,398 A	7/1914	Zimmerman
1,132,983 A	3/1915	Shuey
1,177,340 A	3/1916	Klein
1,184,487 A	5/1916	Peterson
1,195,014 A	8/1916	Hild
1,302,301 A	4/1919	Broome
1,349,941 A	8/1920	Broome
1,363,023 A	12/1920	Taylor
1,364,493 A	10/1921	Grazer
1,431,383 A	10/1922	Edwards
1,446,945 A	2/1923	Sunderland
1,451,858 A	4/1923	Zengerle
1,511,943 A	10/1924	Bush
1,643,268 A	9/1927	Burnwatt
1,649,721 A	11/1927	Mohler
1,769,548 A	7/1930	Rodin
1,823,526 A	9/1931	Breeden
2,084,957 A	6/1937	Hulbert
2,124,389 A	7/1938	Woelfer, Jr.
2,148,199 A	2/1939	Heckman

(Continued)

FOREIGN PATENT DOCUMENTS

EP	0 481 275 A1	9/1991
FR	628895	10/1927
GB	2198994 A	6/1988

OTHER PUBLICATIONS

Advertising for Matco Tools Aluminum Creeper.
 Mac Tools Catalog depicting two pages of Creepers.
 Whiteside Catalog 97, pp. 2-8 depicting creepers.
 Matco Catalog 1996-1997, page depicting creepers.
 California Car Cover Co., Catalog 1996, pp. 33-34 depicting creepers.
 Summit Racing Equipment, Nov.-Dec. 1996, p. 176 depicting creepers.
 Wholesale Tool, 1996, p. 747 depicting creepers.
 Mac Tools, Feb. 1996, p. 2 depicting creepers.
 Mac Tools, Apr. 1995, p. 14 depicting creepers.
 Mac Tools, May, p. 12 depicting creepers.

(Continued)

Primary Examiner—Freda S. Nunn

Assistant Examiner—Kevin K. Rudzinski

(74) *Attorney, Agent, or Firm*—Renner, Kenner, Greive, Bobak, Taylor & Weber

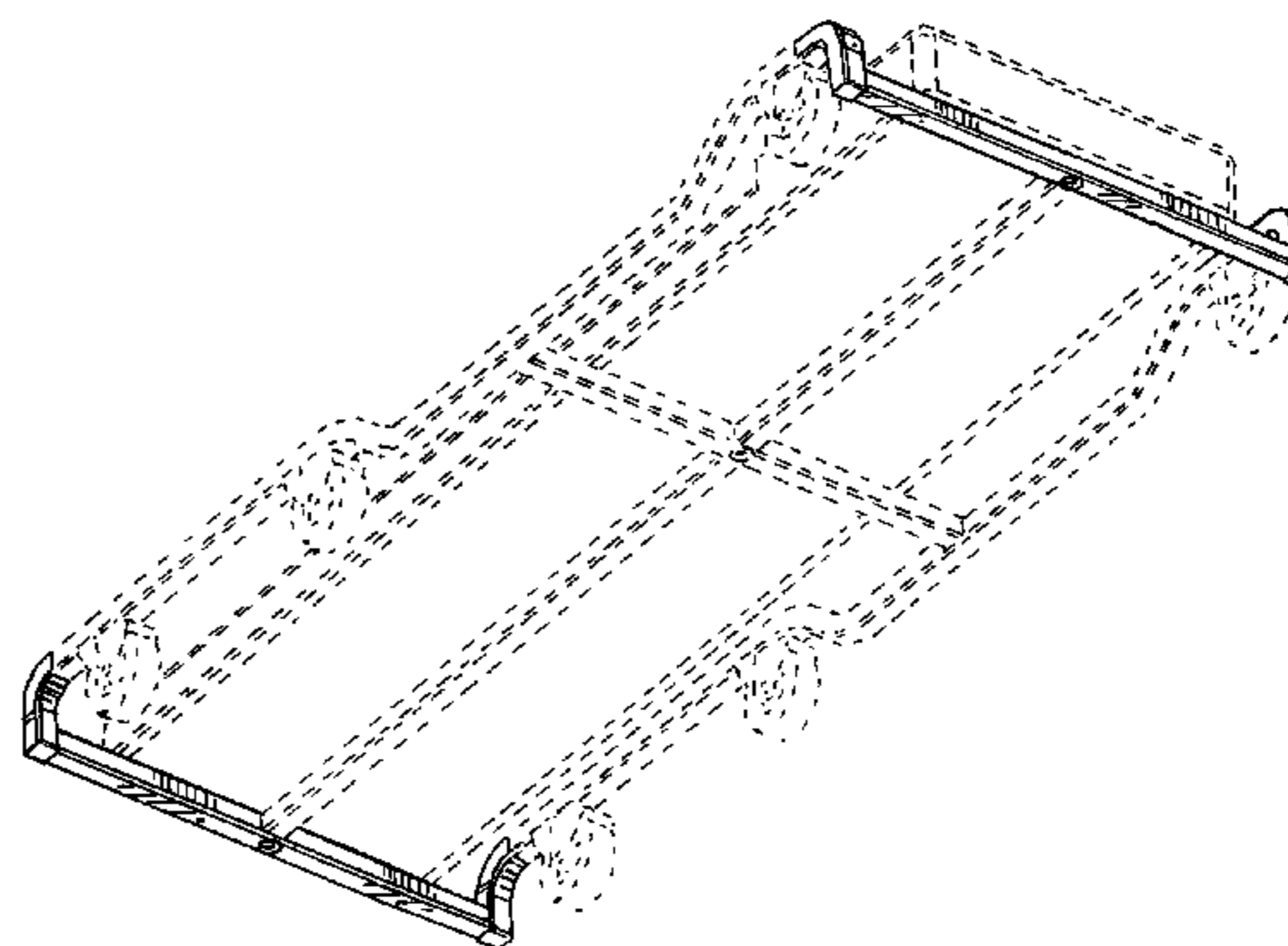
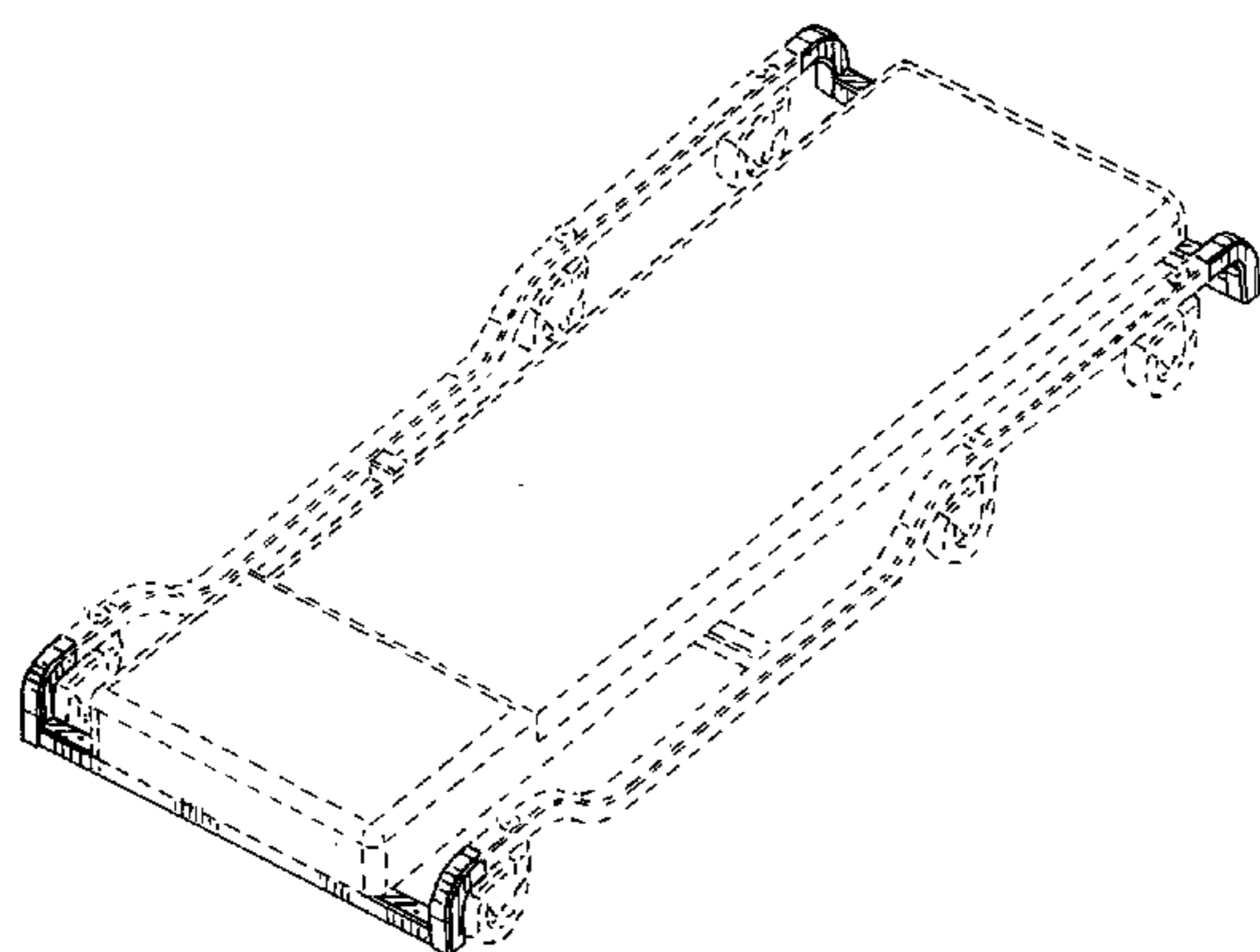
(57) **CLAIM**

The ornamental design for a set of creeper ends, as shown and described.

DESCRIPTION

FIG. 1 is a perspective view of the top of a creeper with creeper ends incorporating my new design, the dashed lines forming no part of such design;
 FIG. 2 is a perspective view of the bottom of a creeper with the creeper ends, the dashed lines forming no part of such design;
 FIG. 3 is a top plan view thereof;
 FIG. 4 is a side view thereof, the other side being identical;
 FIG. 5 is a bottom plan view thereof; and,
 FIG. 6 is an end view of one end thereof.

1 Claim, 2 Drawing Sheets



U.S. PATENT DOCUMENTS

2,154,952 A 4/1939 Mahloch
 2,210,585 A 8/1940 Hulbert
 2,246,628 A 6/1941 Heckman
 2,288,568 A 6/1942 Holmes
 2,291,094 A 7/1942 McCarthy
 2,487,706 A 11/1949 Happ
 2,509,934 A 5/1950 Murray
 2,595,783 A 5/1952 Griffin
 2,716,181 A 8/1955 Ritter
 2,780,472 A 2/1957 Weldon, Sr.
 2,879,865 A 3/1959 Simmons
 2,942,693 A 6/1960 Johnson
 3,092,394 A 6/1963 Burke
 3,361,437 A 1/1968 Loftis
 3,677,569 A 7/1972 Larson
 D230,971 S 3/1974 Shanklin
 3,984,116 A 10/1976 Bowers
 D242,909 S 1/1977 Miller
 D270,962 S 10/1983 Martell
 4,570,957 A 2/1986 Rose
 4,580,799 A 4/1986 Quinonez
 D285,018 S 8/1986 Quinonez
 D289,815 S 5/1987 Quinonez
 4,698,731 A 10/1987 Johns, Sr.
 4,721,316 A 1/1988 Whiteside
 D296,597 S 7/1988 Adams
 D298,374 S 11/1988 Hamrick
 D299,076 S 12/1988 Whiteside
 D301,078 S 5/1989 Szpot
 D301,791 S 6/1989 Osborne
 D309,967 S 8/1990 Fagane
 D319,717 S 9/1991 Schultz
 D320,484 S 10/1991 Wallin
 D321,072 S 10/1991 Bennett et al.
 D321,578 S 11/1991 Gilbert
 D324,598 S 3/1992 Clark
 D325,799 S 4/1992 Chen
 5,108,118 A 4/1992 Schaevitz
 D330,619 S 10/1992 Gilbert et al.
 D330,957 S 11/1992 Contrini
 5,174,592 A 12/1992 Pool
 5,195,763 A 3/1993 Scott et al.
 D335,733 S 5/1993 Zimmer
 5,213,350 A 5/1993 Hermanson
 5,297,809 A 3/1994 Chen
 5,330,209 A 7/1994 Pool
 5,330,211 A 7/1994 Nicholson
 D351,707 S 10/1994 Pill
 D354,599 S 1/1995 Young
 5,378,003 A 1/1995 Burd et al.
 D361,421 S 8/1995 Garoutte
 5,451,068 A 9/1995 Shockley
 5,460,392 A 10/1995 Hansen
 5,472,219 A 12/1995 Eckstrum
 5,503,415 A 4/1996 Powell
 5,527,051 A 6/1996 Plaza
 D371,662 S 7/1996 Vosbikian et al.
 5,611,552 A 3/1997 Miles et al.
 D384,466 S 9/1997 Taylor
 5,730,449 A 3/1998 Miles
 D396,920 S 8/1998 Whiteside et al.
 D398,433 S 9/1998 Whiteside et al.
 D401,029 S 11/1998 Taylor
 D401,714 S 11/1998 Whiteside et al.
 D401,715 S 11/1998 Whiteside et al.
 D401,724 S 11/1998 Whiteside et al.
 D402,432 S 12/1998 Harris
 D403,822 S 1/1999 Whiteside et al.

D403,824 S 1/1999 Harris
 D403,825 S 1/1999 Harris
 D406,432 S 3/1999 Taylor et al.
 D406,433 S 3/1999 Taylor et al.
 D406,683 S 3/1999 Taylor et al.
 D406,684 S 3/1999 Pool et al.
 D408,110 S 4/1999 Sorensen
 5,895,062 A 4/1999 Miles et al.
 D409,344 S 5/1999 Whiteside et al.
 5,947,489 A 9/1999 Tucker
 D417,937 S 12/1999 Harris
 D436,708 S 1/2001 Whiteside
 6,238,069 B1 * 5/2001 Miles 362/486
 D458,432 S 6/2002 Whiteside et al.
 D460,237 S 7/2002 Hart
 6,578,857 B1 6/2003 Whiteside et al.
 6,702,305 B2 3/2004 Miles
 6,705,622 B2 3/2004 Whiteside
 2003/0168824 A1 9/2003 Miles

OTHER PUBLICATIONS

Mac Tools, Aug., p. 23 depicts creepers.
 Griot's Garage, page depicting creepers.
 Griot's Garage, Spring 1995, page depicting creepers.
 Summit Racing Equipment, Sep.–Oct. 1996, p. 158 depicting creepers.
 Snap-on catalog cover, p. 228 depicting creepers.
 Mac Tools, 1994, 2–page brochure on creepers.
 Whiteside Catalog 92, page depicting creepers.
 Whiteside Catalog No. 89, 6 pgs. depicting creepers.
 Lisle Corporation brochure, 1992 depicting creepers.
 Lisle Corporation Specialty Automotive Tools brochure depicting creepers.
 Larin Corporation brochure.
 Pegasus Products brochure, The Bone creeper.
 Snap-on ad depicting creepers.
 Fleet Products catalog page depicting creepers.
 American Tool & Equipment 1996, page depicting creepers.
 JC Whitney Tool Book No. 205R, 1997, page depicting creepers.
 R.E.L. Products, Inc. brochure depicting creepers.
 K-Mart ad depicting creeper.
 Lisle Corporation catalog, pp. 44–46 depicting creepers.
 Brookins Service Equipment catalog 4146, page depicting creepers.
 R.E.L. Products, Inc, brochure Mechanics Creepers That Perform.
 R.E.L. Products, Inc. brochure Graphics Design Creepers.
 P&B Mfg. Co. Creepers catalog.
 P&B Mfg. Co. Ultimax Creeper brochure.
 Roll–A–Lite Lighted Floor Creeper brochure.
 Snap-on Creeper brochure.
 Mac Tools brochure creepers.
 Whiteside Catalog 95 Creepers.
 JC Whitney, sale book No. 93JA cover and 1–page featuring creeper.
 Koller Craft Plastic Products, Inc., ad for creepers.
 R.E.L. Products, Inc., catalog page featuring creepers.
 Detailed Designs, add formechanic's creeper.
 Koller Craft Plastic Products, add for mechanic's creeper.
 P&B Mfg. Co., brochure for Power–View I creeper.
 P&B Mfg. Co. brochure for Blue Max creeper.

* cited by examiner

FIG. 1

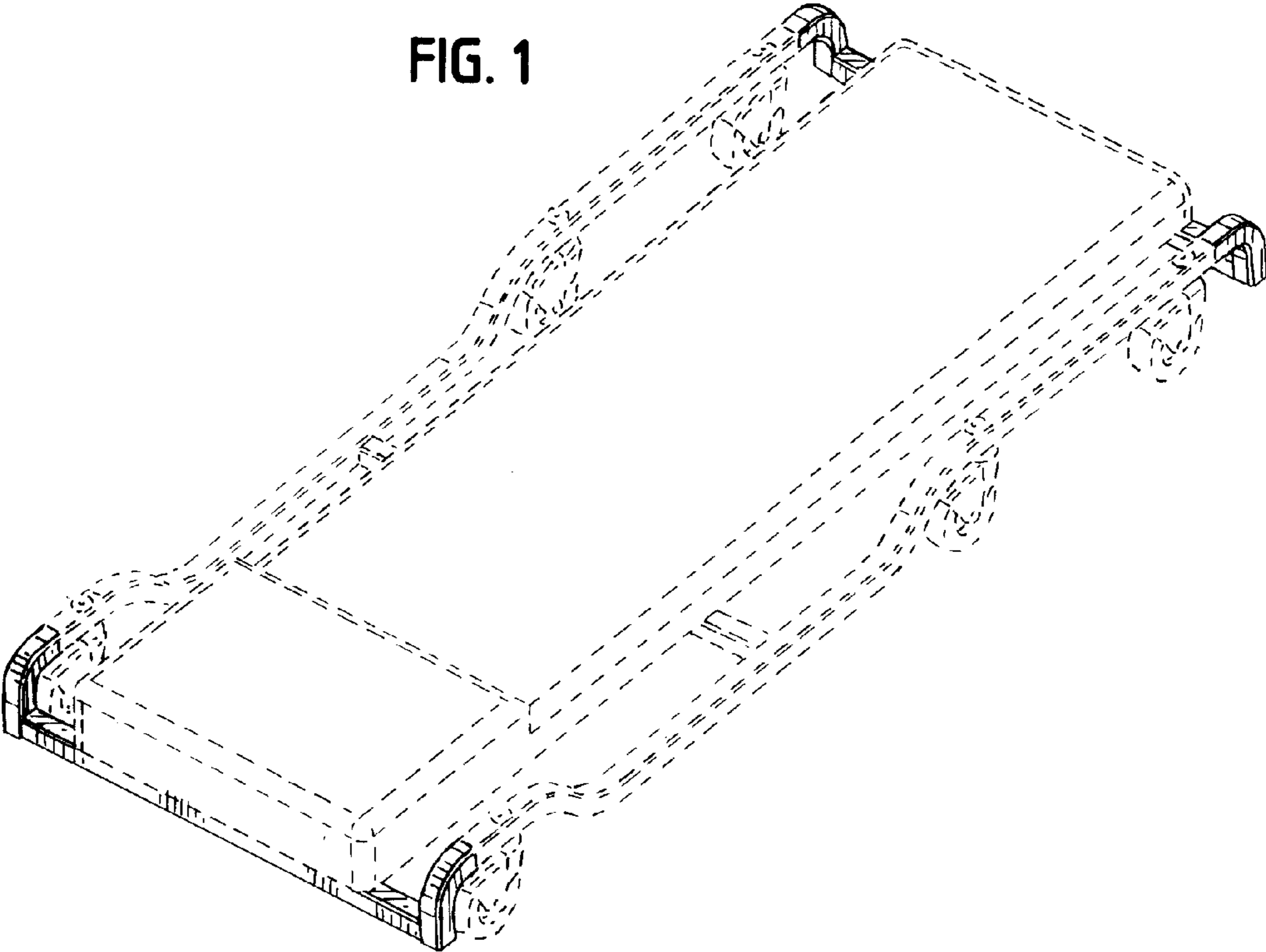


FIG. 2

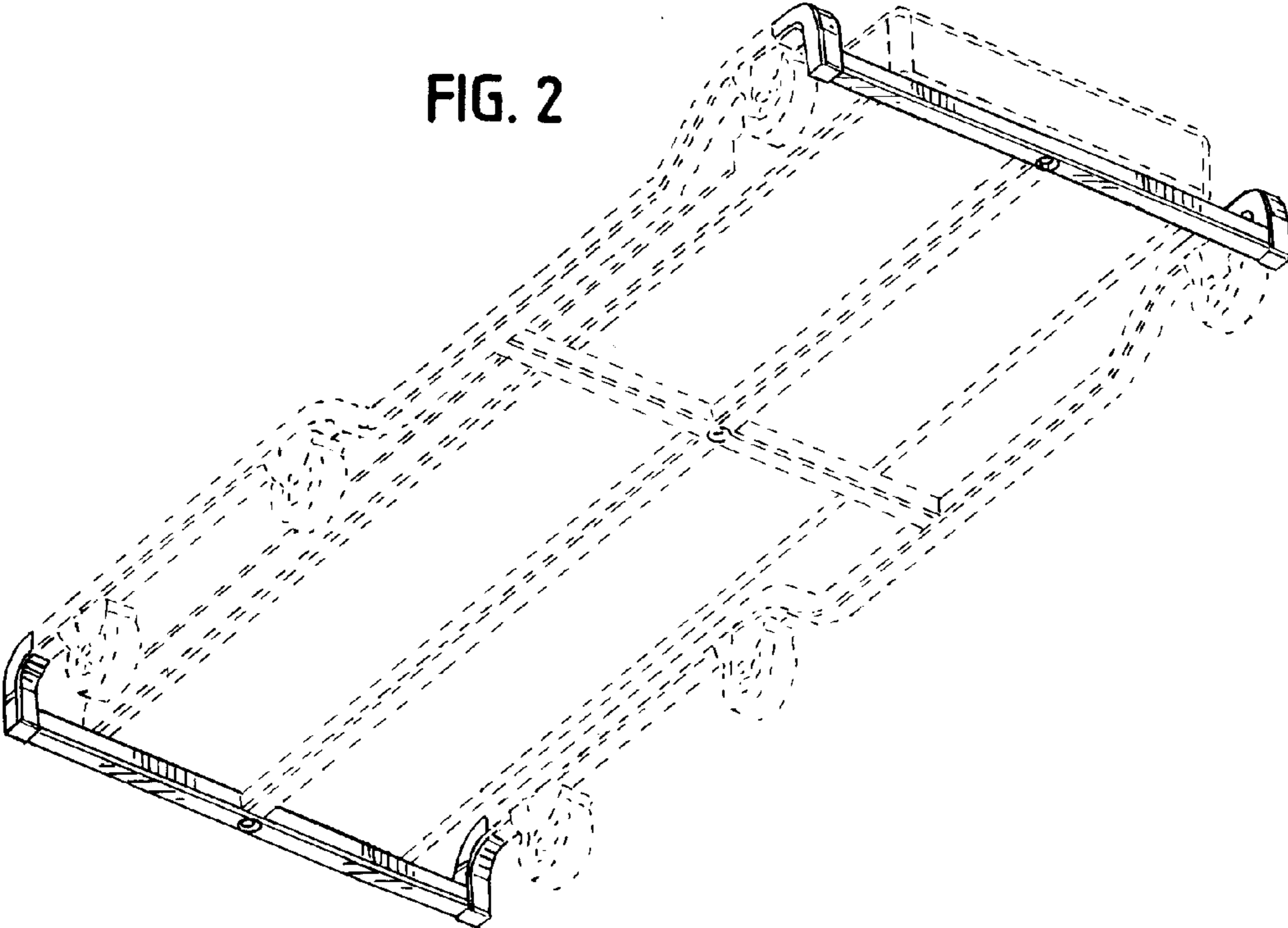


FIG. 3

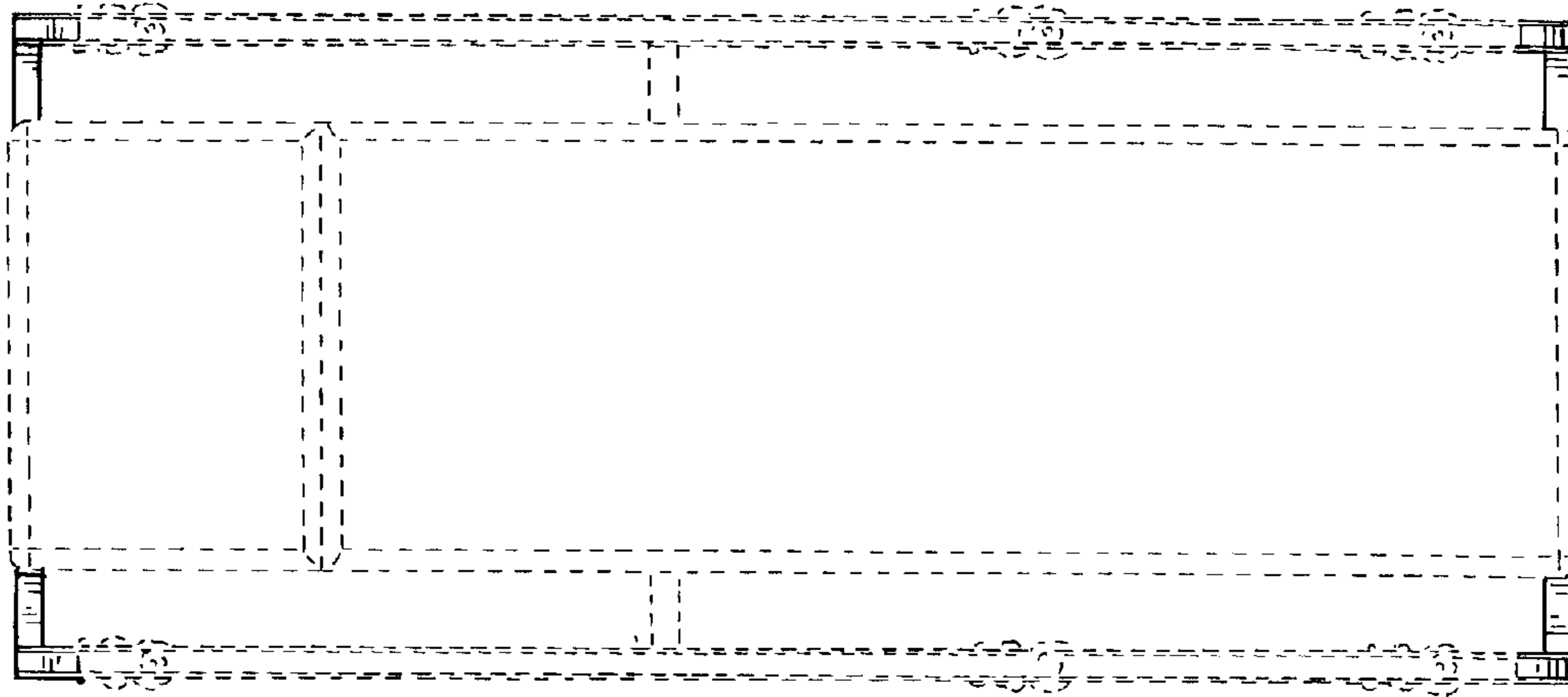


FIG. 4

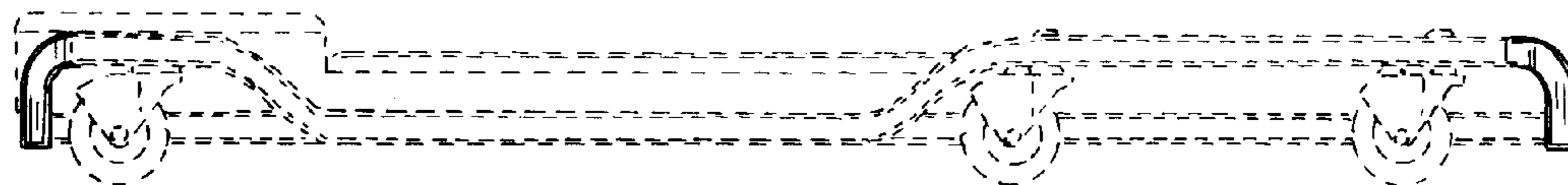


FIG. 5

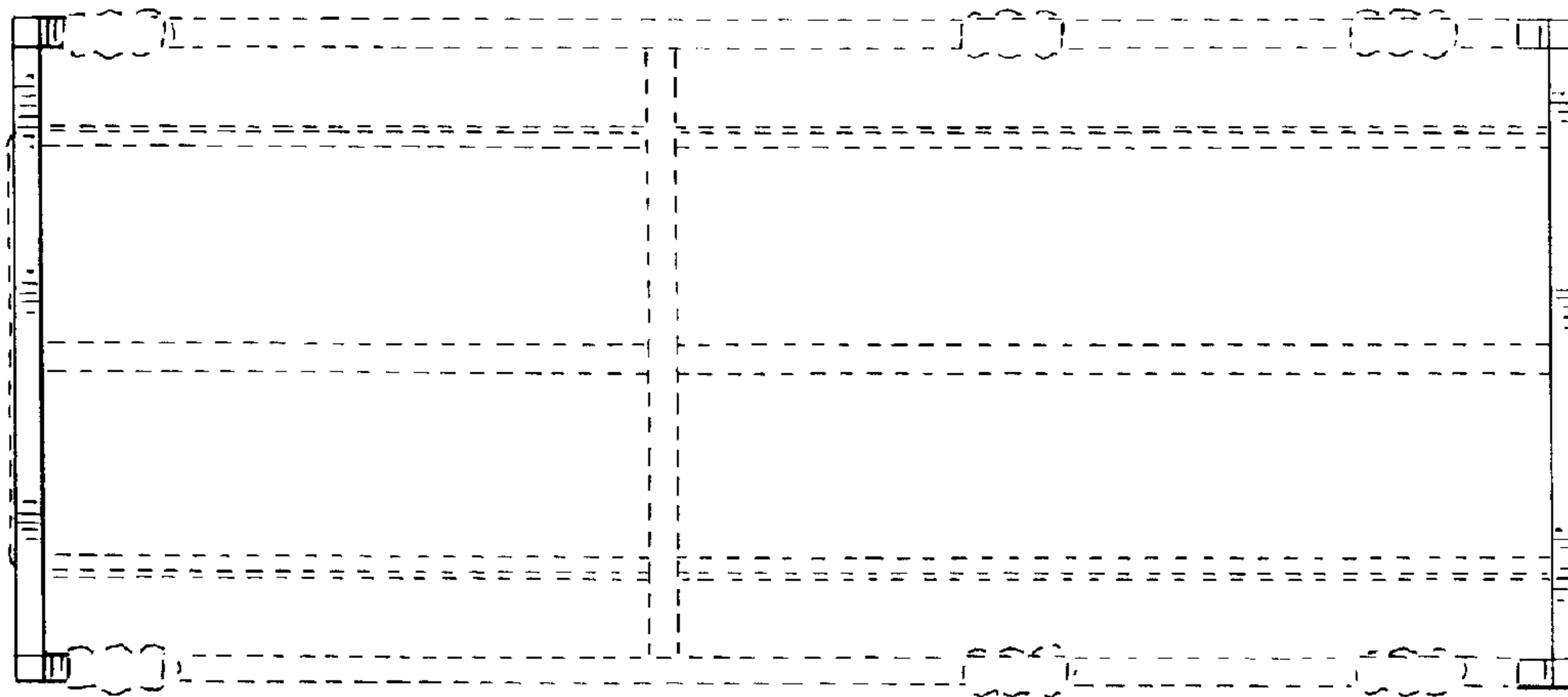


FIG. 6

