



US00D538998S

(12) **United States Design Patent**
Henry

(10) **Patent No.:** **US D538,998 S**
(45) **Date of Patent:** **** Mar. 20, 2007**

(54) **LIFTING DOLLY**

(76) Inventor: **Robert L. Henry**, 251 Jeanell Dr., #2,
Carson City, NV (US) 89703

(**) Term: **14 Years**

(21) Appl. No.: **29/258,234**

(22) Filed: **Apr. 19, 2006**

Related U.S. Application Data

(63) Continuation of application No. 11/113,673, filed on Apr. 25,
2005.

(51) **LOC (8) Cl.** **12-02**

(52) **U.S. Cl.** **D34/23**

(58) **Field of Classification Search** D34/12,
D34/14, 26, 27, 23, 24; 414/467, 457, 490,
414/458, 427, 430; 280/655, 47.29, 47.27,
280/47.18, 47.17, 35

See application file for complete search history.

(56) **References Cited**

U.S. PATENT DOCUMENTS

303,657 A	8/1884	Metzger	
454,448 A	6/1891	Barley	
460,250 A	9/1891	Junkins	
665,583 A	1/1901	Schnellbacher	
1,510,465 A	10/1924	Kinsey	
1,587,824 A	6/1926	Knox	
1,738,096 A	12/1929	Cole	
1,815,825 A	7/1931	Bates	
1,866,887 A	7/1932	Gleason et al.	
1,868,193 A	7/1932	Chambers et al.	
2,029,656 A	2/1936	Dawson	
2,089,336 A	8/1937	Brown	
2,417,553 A	3/1947	Jenson	
2,419,314 A	* 4/1947	McLaren	414/448
2,421,123 A	5/1947	Jenson	
2,439,581 A	* 4/1948	Robins	280/35
2,740,484 A	4/1956	Montana	
2,910,304 A	10/1959	Caylor	

3,003,654 A	10/1961	Pelto	
3,363,787 A	1/1968	Macomber	
4,106,648 A	8/1978	Dickson	
D253,098 S	* 10/1979	Morgan	D34/24
4,241,930 A	12/1980	Bell et al.	
4,335,990 A	6/1982	Apter et al.	
4,435,115 A	3/1984	Orstad et al.	
4,856,959 A	8/1989	Tabayashi	
5,114,118 A	5/1992	Schrader	
5,160,153 A	* 11/1992	Zan	280/43.1
D336,710 S	* 6/1993	Kinnaman	D34/26
5,244,221 A	9/1993	Ward	
D344,833 S	3/1994	Apter et al.	
5,445,399 A	* 8/1995	Salvucci, Sr.	280/47.27
5,749,587 A	* 5/1998	Colon	280/47.27
5,765,843 A	6/1998	Miller	
5,833,249 A	11/1998	DeMartino	
D404,876 S	* 1/1999	Rubinos et al.	D34/24
D412,044 S	* 7/1999	Deal	D34/12
6,086,310 A	7/2000	Lujan et al.	
6,796,564 B2	* 9/2004	Kelly	280/47.24
2002/0070518 A1	* 6/2002	Peters	280/47.24
2004/0057821 A1	3/2004	Samis	

FOREIGN PATENT DOCUMENTS

JP 54124455 9/1979

* cited by examiner

Primary Examiner—Freda S. Nunn
Assistant Examiner—Kevin K. Rudzinski
(74) *Attorney, Agent, or Firm*—David R. Preston & Assoc.

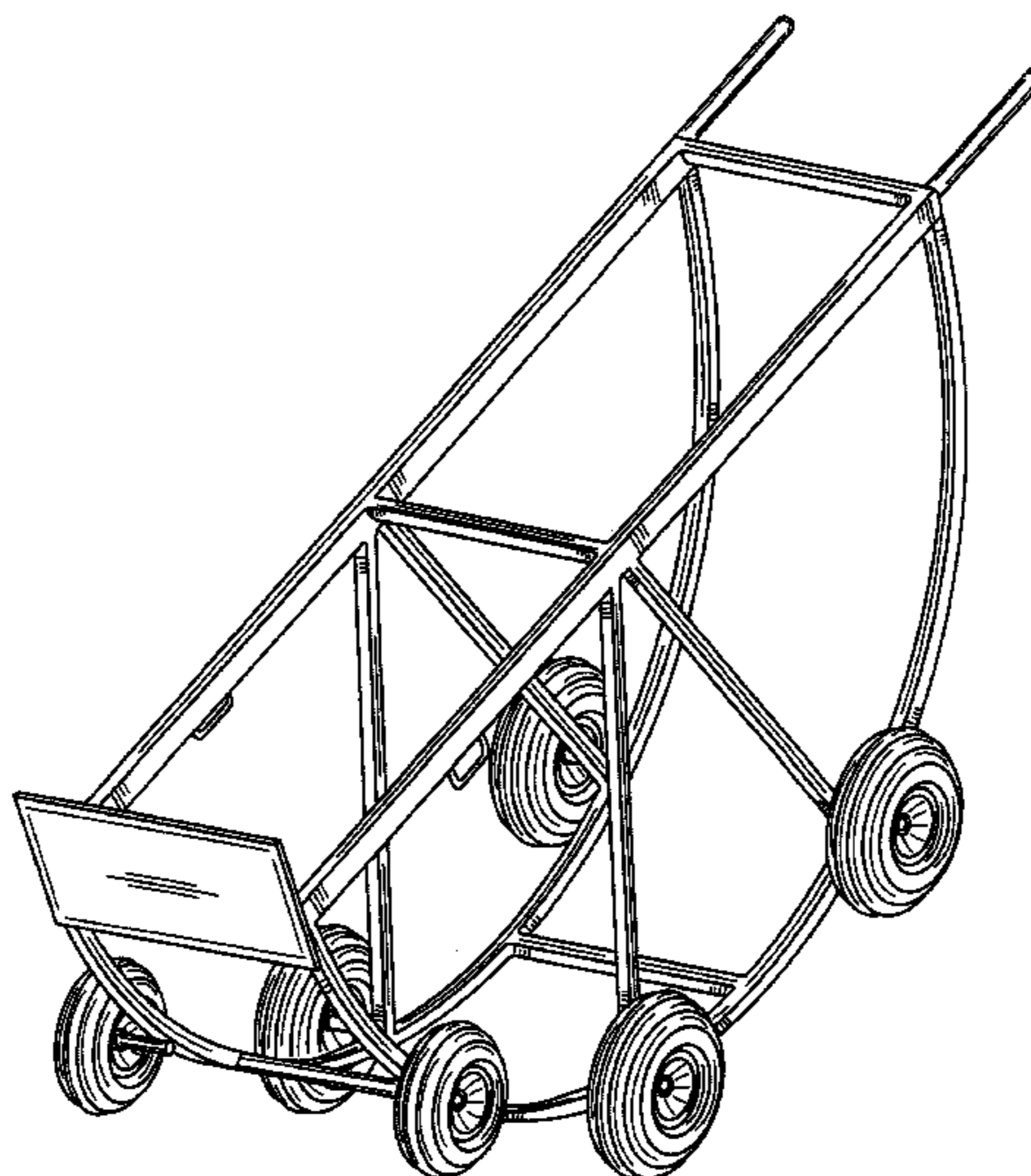
(57) **CLAIM**

The ornamental design for a lifting dolly, as shown and described.

DESCRIPTION

FIG. 1 is a perspective view of a lifting dolly.
FIG. 2 is a top view of a lifting dolly.
FIG. 3 is a side view of a lifting dolly.
FIG. 4 is a rear end view of a lifting dolly; and,
FIG. 5 is a front end view of a lifting dolly.

1 Claim, 3 Drawing Sheets



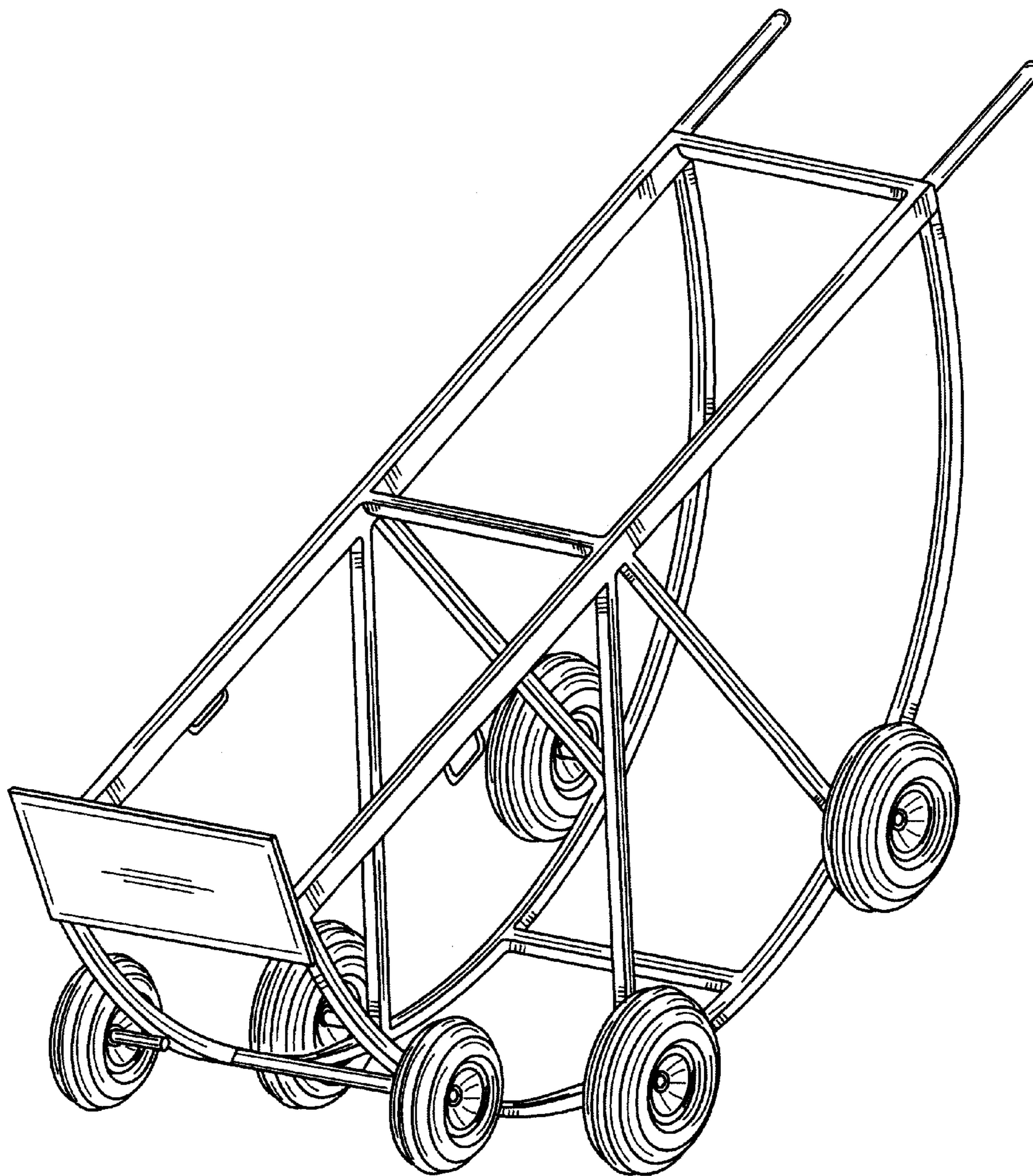


FIG. 1

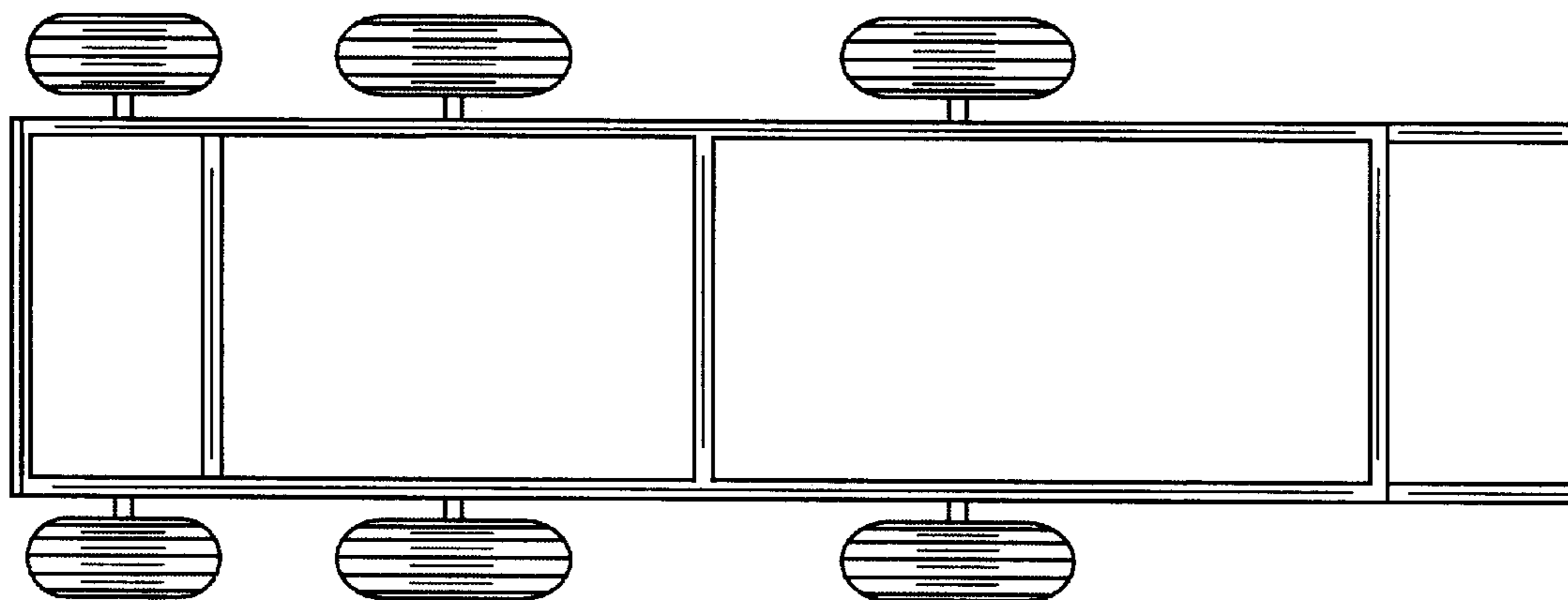


FIG. 2

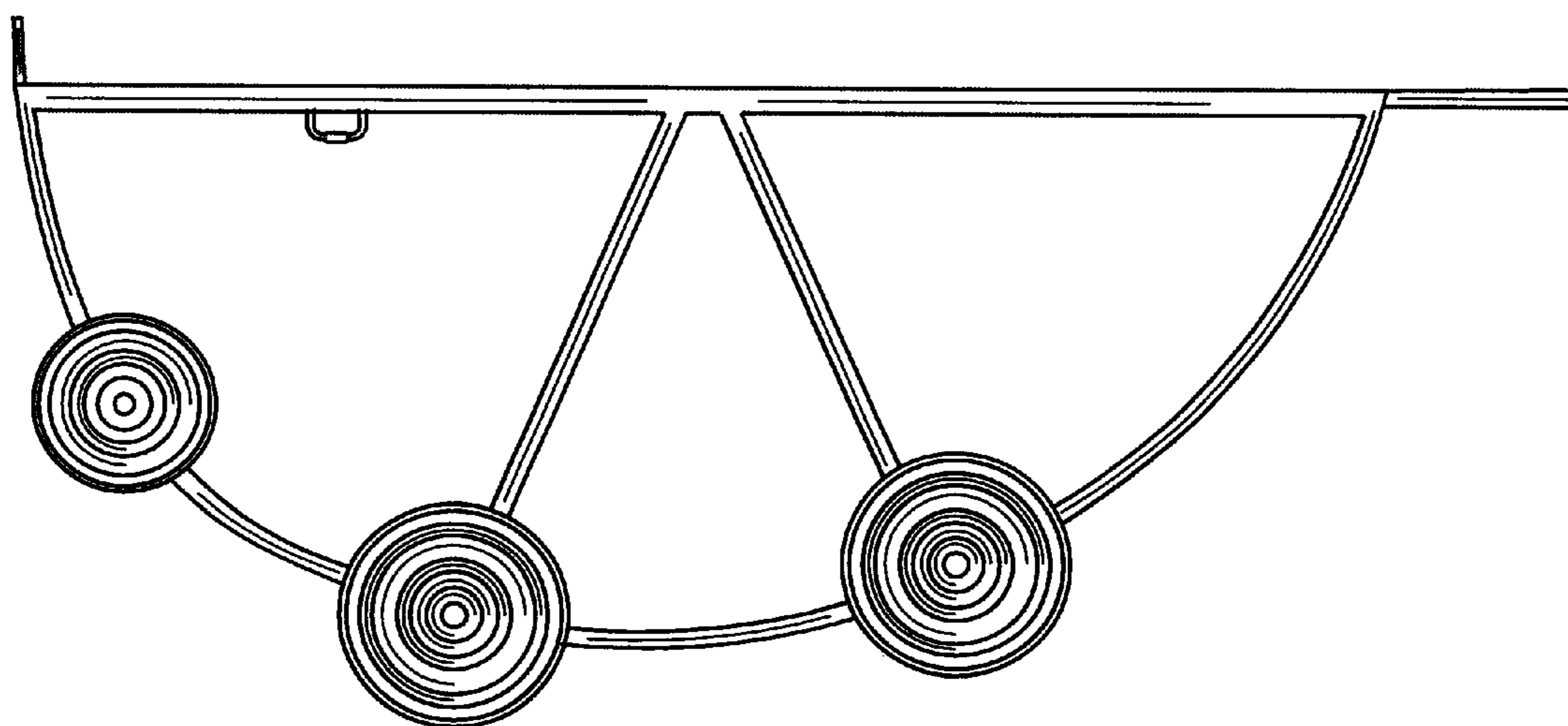


FIG. 3

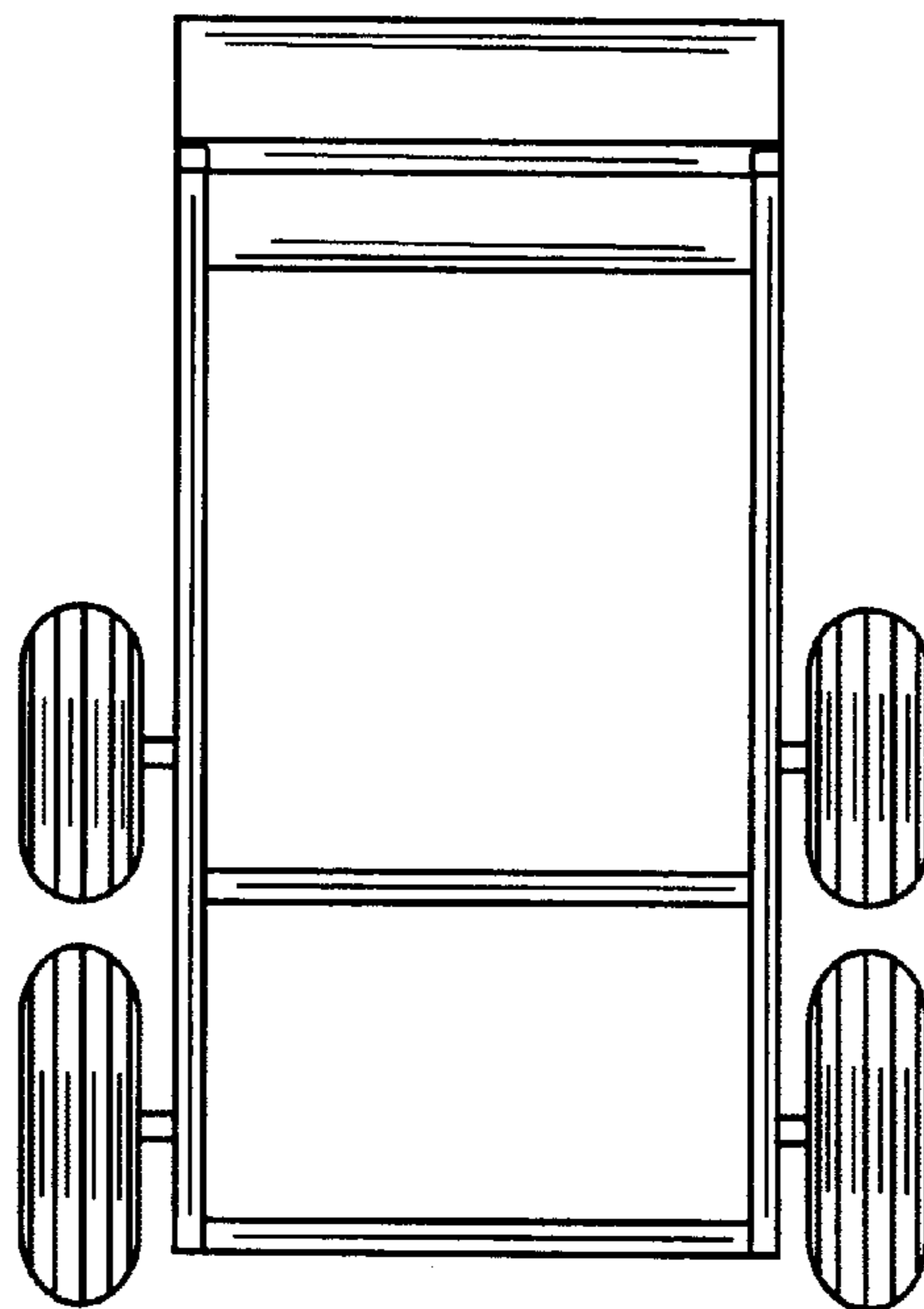


FIG. 4

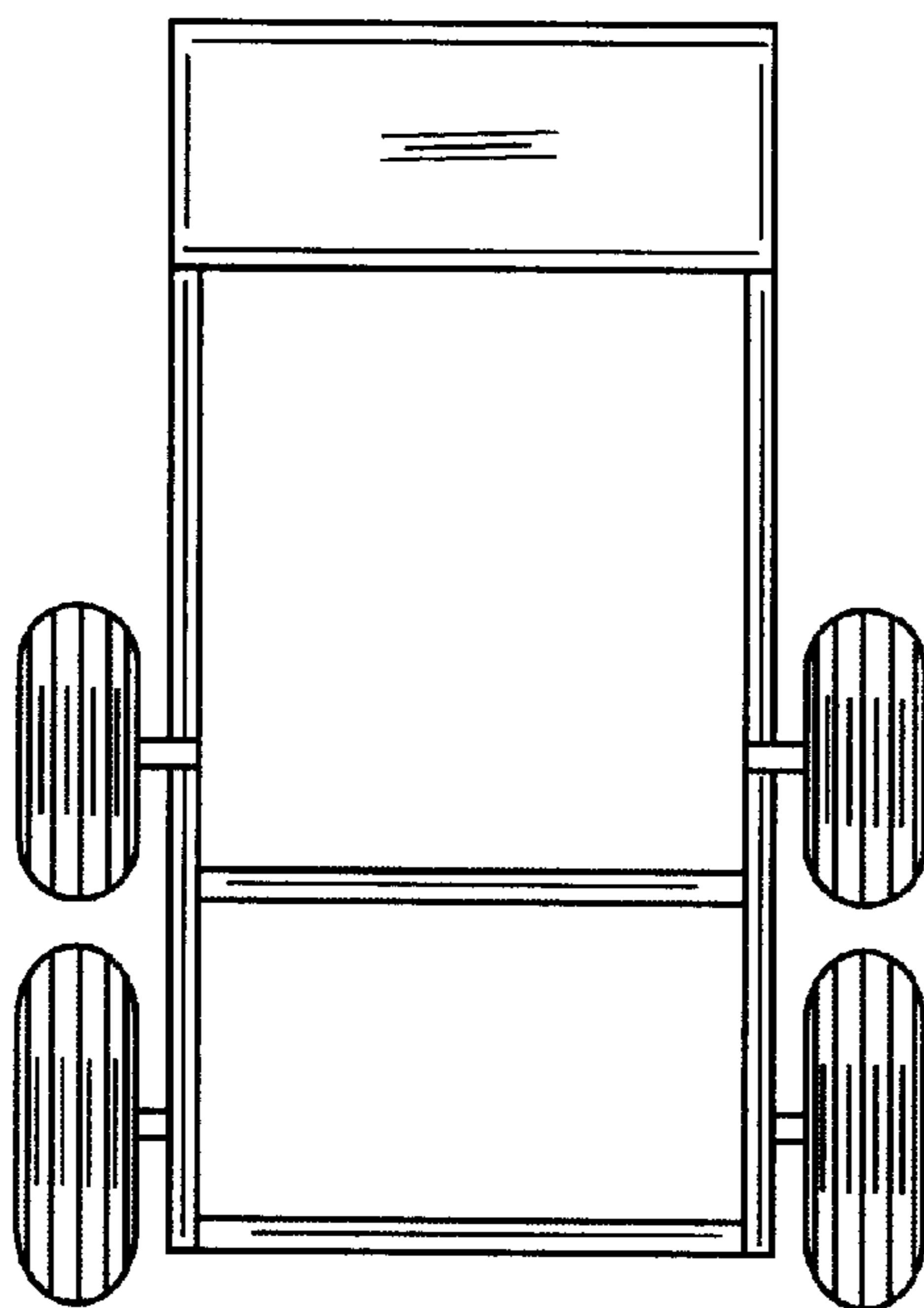


FIG. 5