



US00D538996S

(12) **United States Design Patent**
Loneragan

(10) **Patent No.:** **US D538,996 S**
(45) **Date of Patent:** **** Mar. 20, 2007**

(54) **AERATOR FOR A COMPOSTING BIN**

(75) **Inventor:** **Gregory Terrence Lonergan,**
Heidelberg (AU)

(73) **Assignee:** **Ecompost Pty, Ltd.,** South Yarra (AU)

(**) **Term:** **14 Years**

(21) **Appl. No.:** **29/219,213**

(22) **Filed:** **Dec. 15, 2004**

(51) **LOC (8) Cl.** **09-09**

(52) **U.S. Cl.** **D34/10**

(58) **Field of Classification Search** D34/1,
D34/10, 11; 220/908, 908.1, 908.2; 435/290.1,
435/290.4

See application file for complete search history.

(56) **References Cited**

U.S. PATENT DOCUMENTS

4,105,412	A	*	8/1978	Petzinger	422/275
6,218,177	B1	*	4/2001	Nattrass	435/290.1
6,518,057	B2	*	2/2003	Morrison	435/290.1
D507,166	S	*	7/2005	Chen	D8/68
6,921,661	B2	*	7/2005	Nagy et al.	435/290.1
D513,588	S	*	1/2006	Vovan	D9/455

* cited by examiner

Primary Examiner—Cynthia E. Ramirez

(74) *Attorney, Agent, or Firm*—Baker & Hostetler LLP

(57) **CLAIM**

The ornamental design for an aerator for a composting bin, as shown and described.

DESCRIPTION

FIG. 1 is a perspective view of an aerator for a composting bin according to a preferred embodiment of the present invention;

FIG. 2 is a bottom view thereof;

FIG. 3 is a front view thereof;

FIG. 4 is a side view thereof;

FIG. 5 is a top view thereof;

FIG. 6 is a perspective view of an aerator for a composting bin according to an alternate embodiment of the present invention;

FIG. 7 is a bottom view of the alternate embodiment shown in FIG. 6;

FIG. 8 is a front view of the alternate embodiment shown in FIG. 6;

FIG. 9 is a side view of the alternate embodiment shown in FIG. 6;

FIG. 10 is a top view of the alternate embodiment shown in FIG. 6;

FIG. 11 is a perspective view of an aerator for a composting bin according to another alternative embodiment of the present invention;

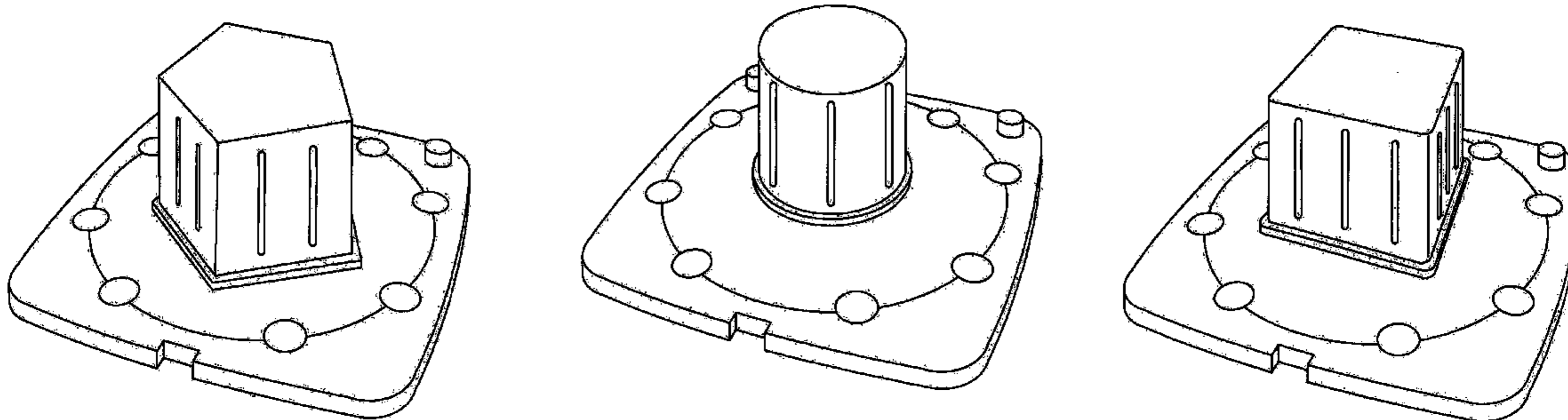
FIG. 12 is a bottom view of the alternate embodiment shown in FIG. 11;

FIG. 13 is a front view of the alternate embodiment shown in FIG. 11;

FIG. 14 is a side view of the alternate embodiment shown in FIG. 11; and,

FIG. 15 is a top view of the alternate embodiment shown in FIG. 11.

1 Claim, 15 Drawing Sheets



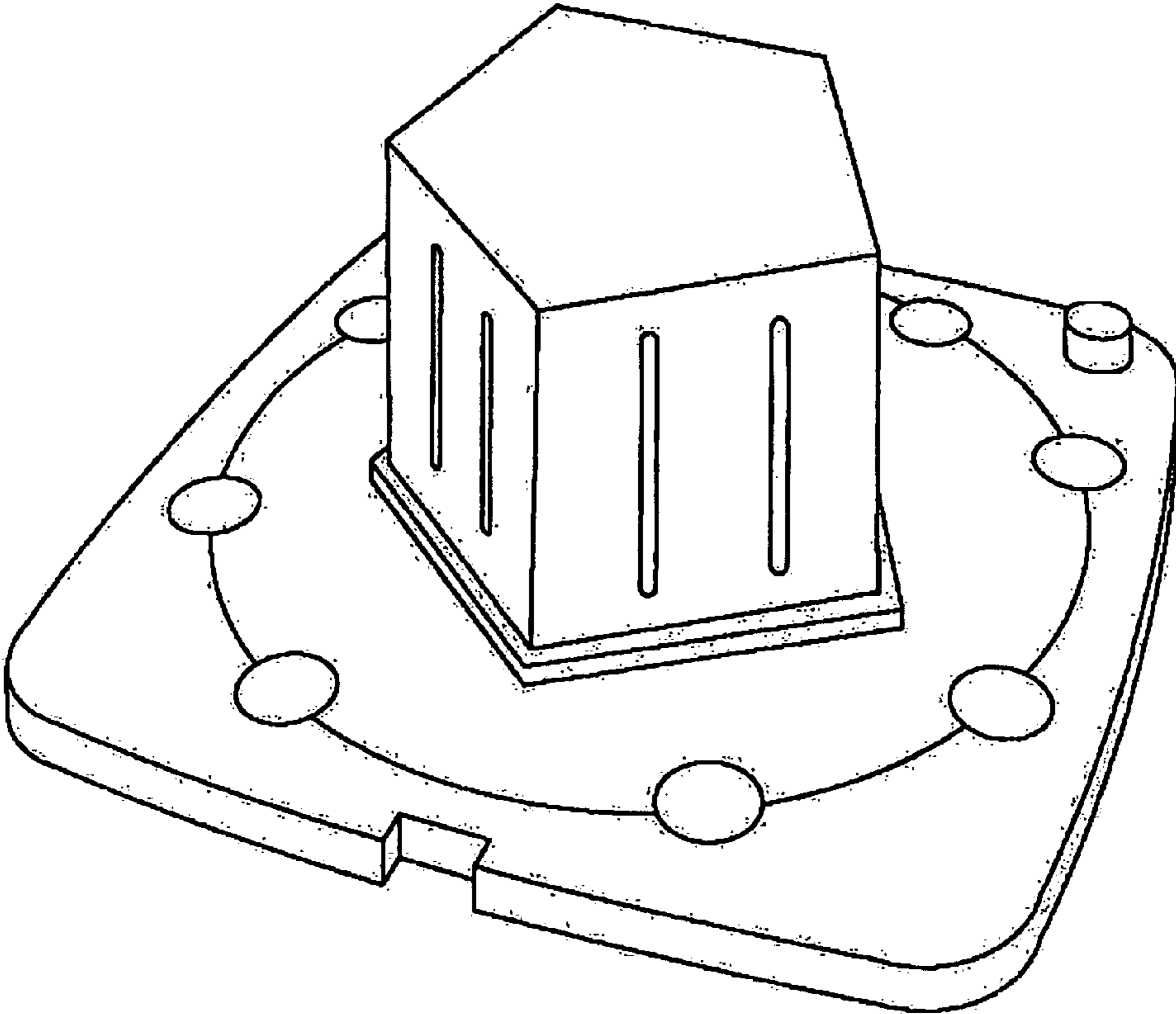


FIG. 1

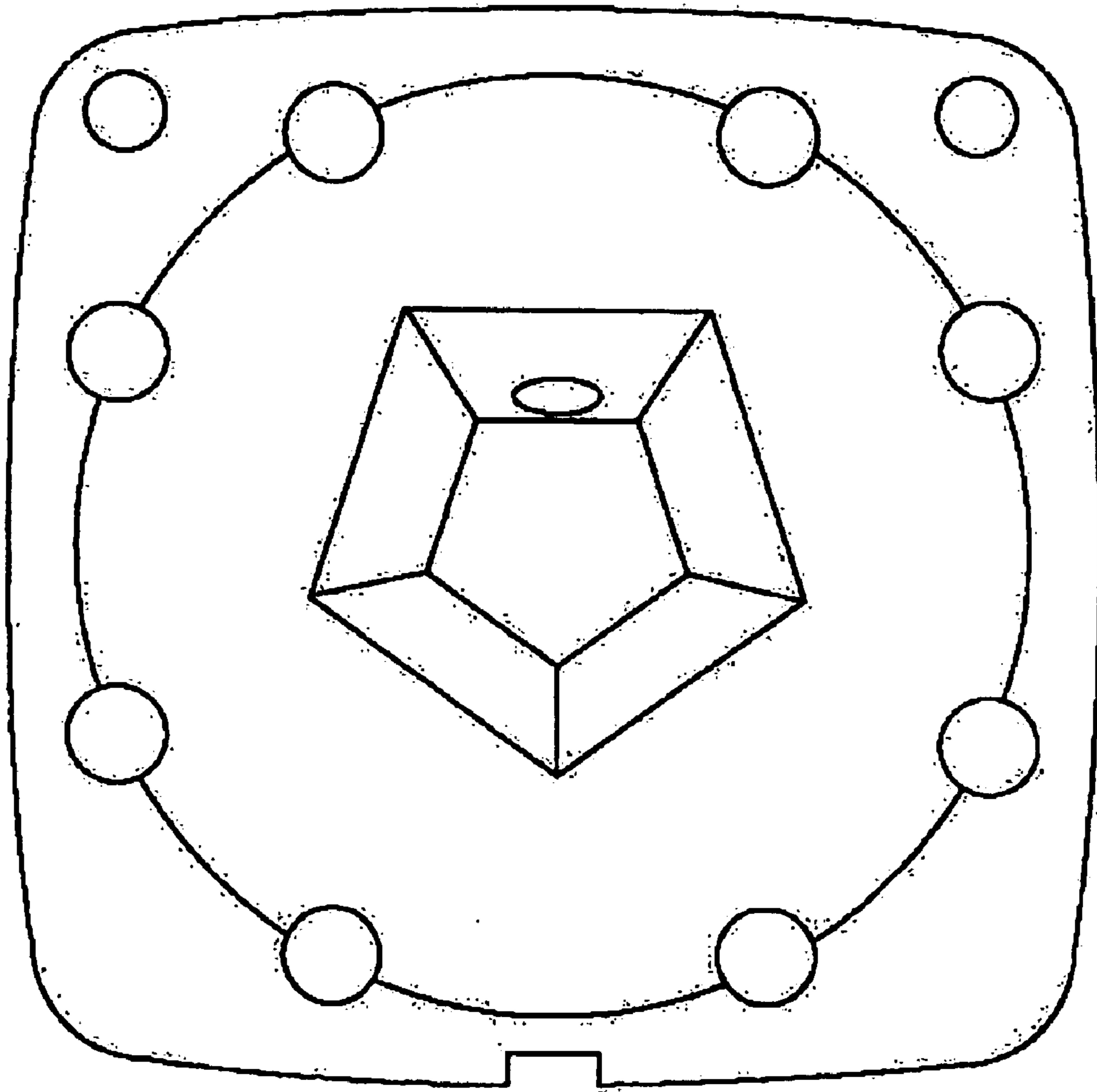


FIG. 2

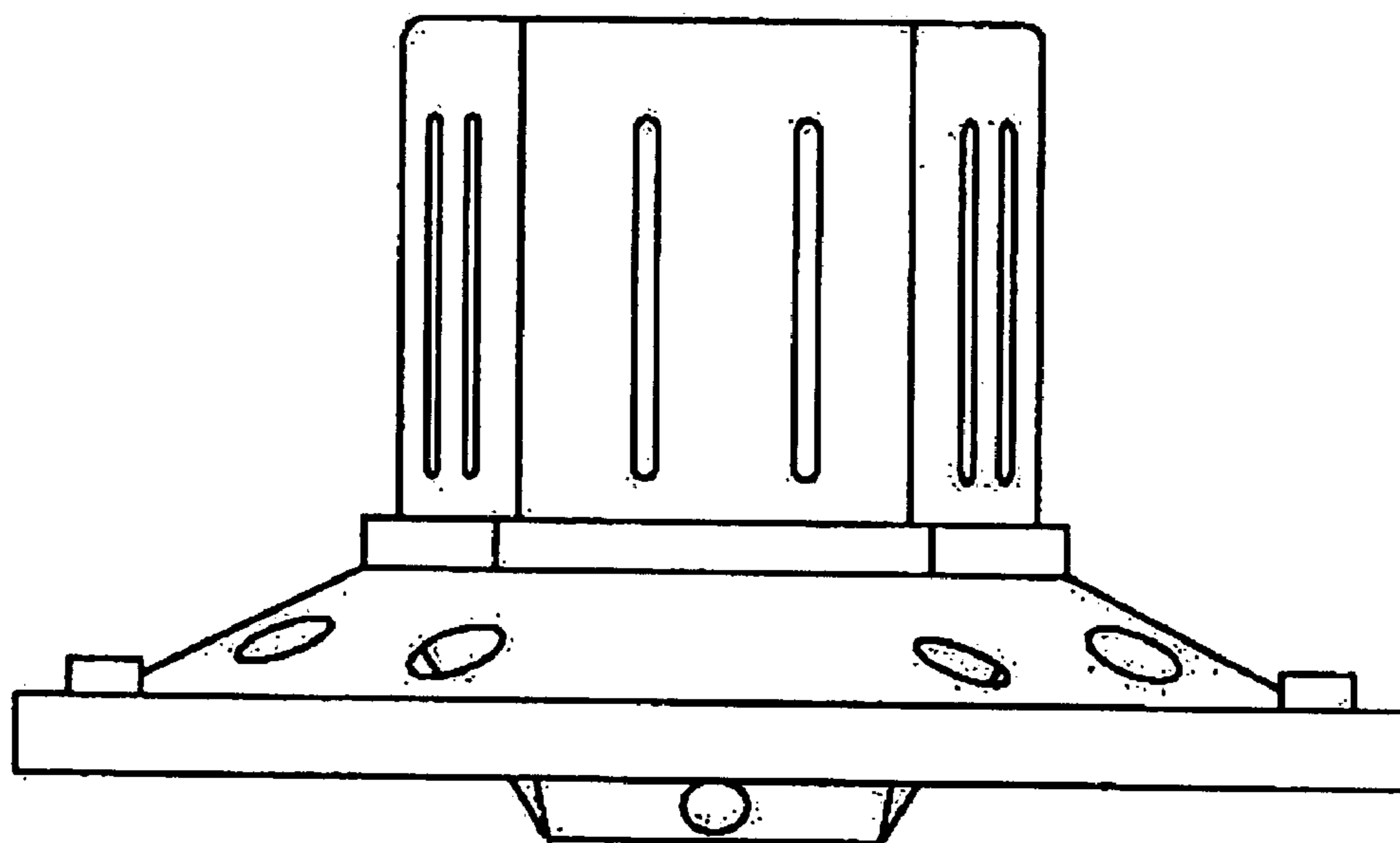


FIG. 3

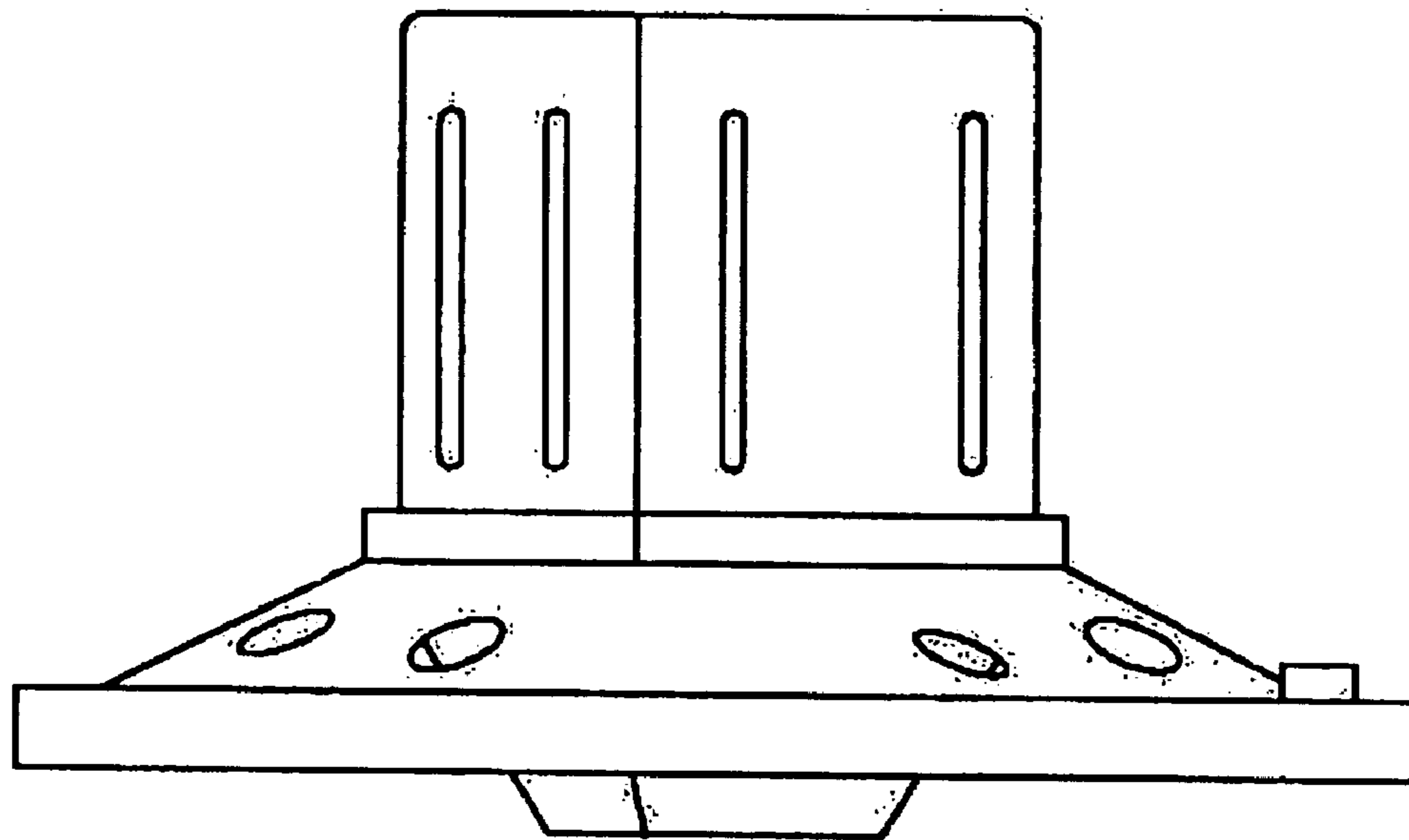


FIG. 4

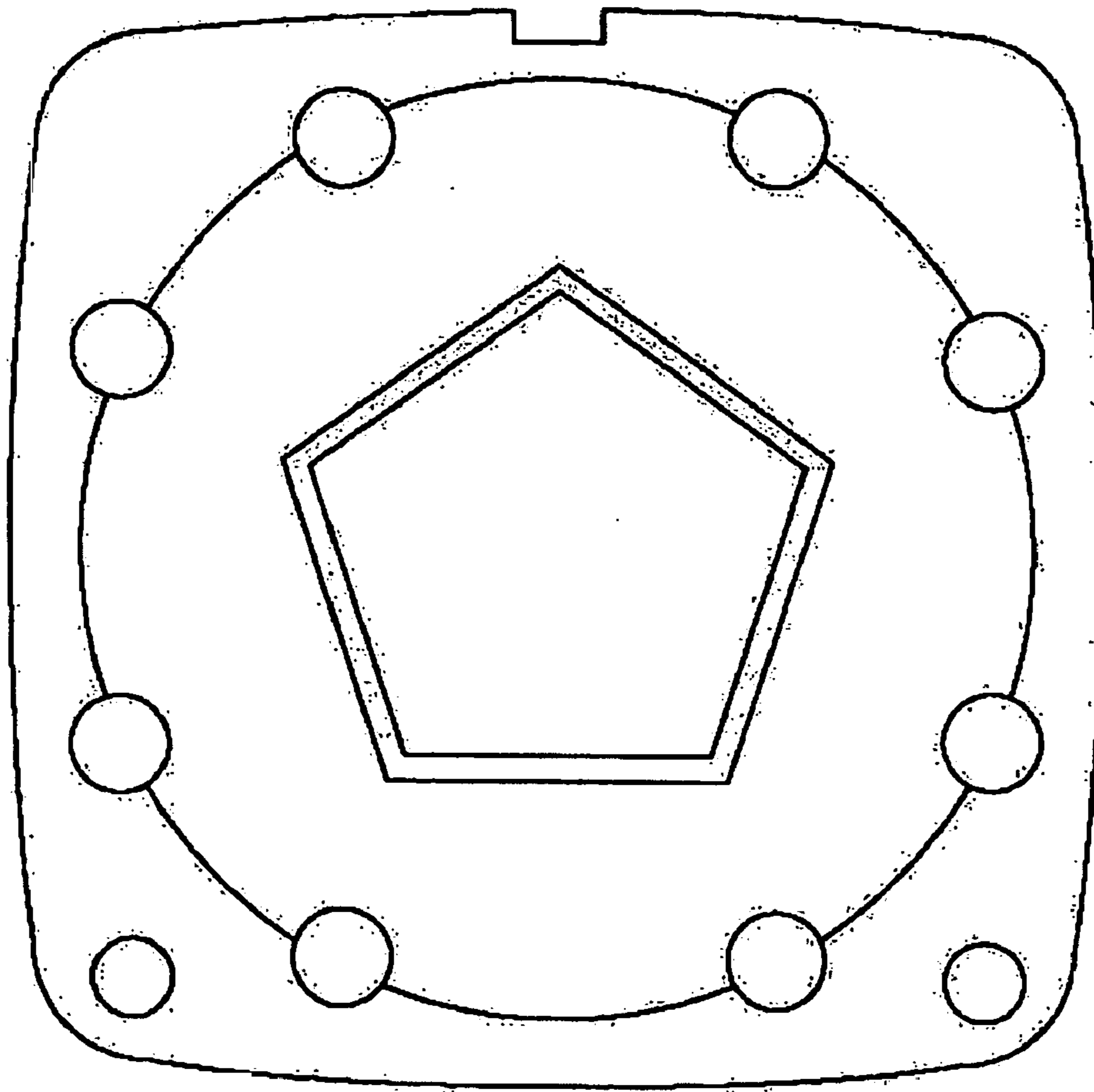


FIG. 5

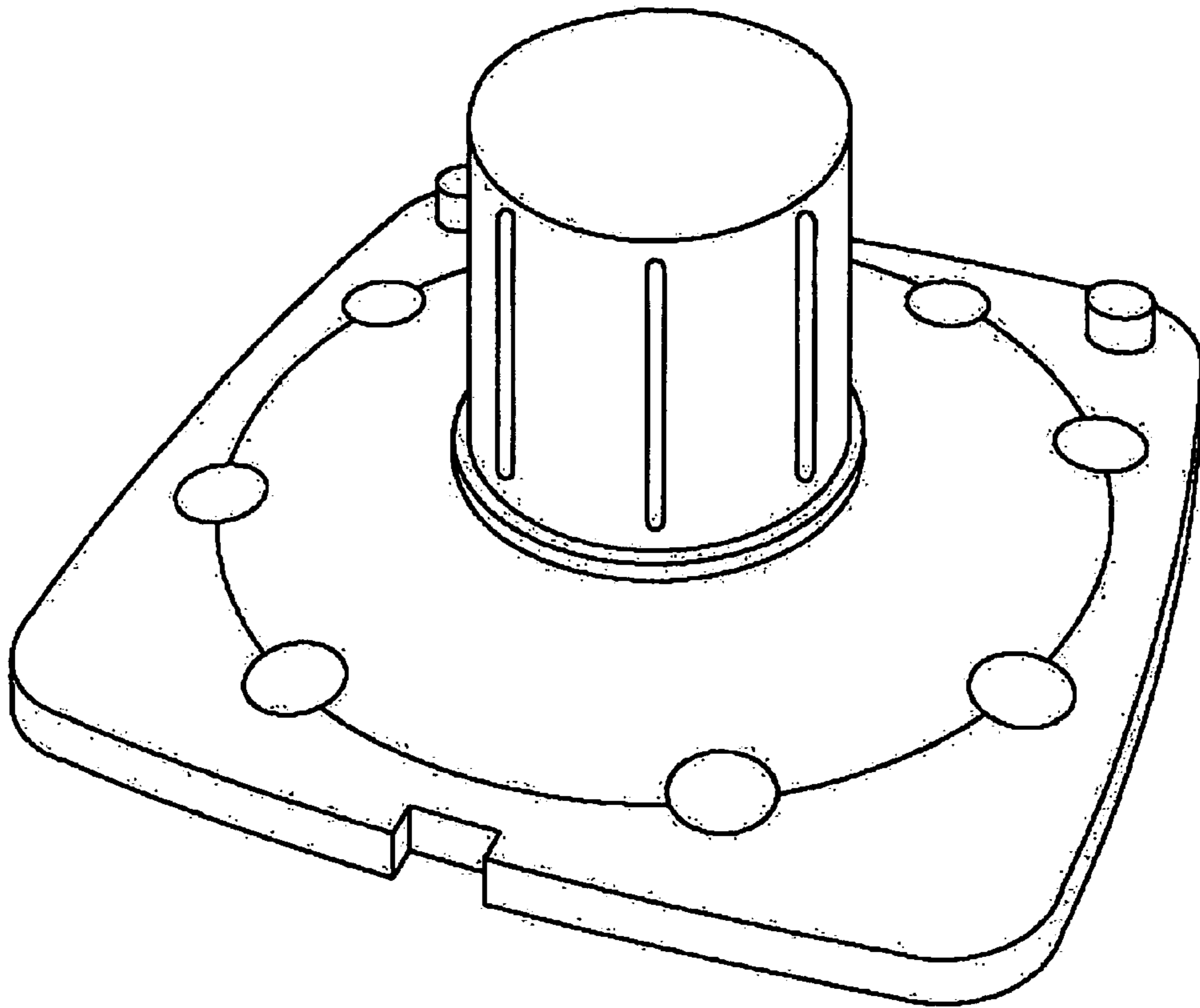


FIG. 6

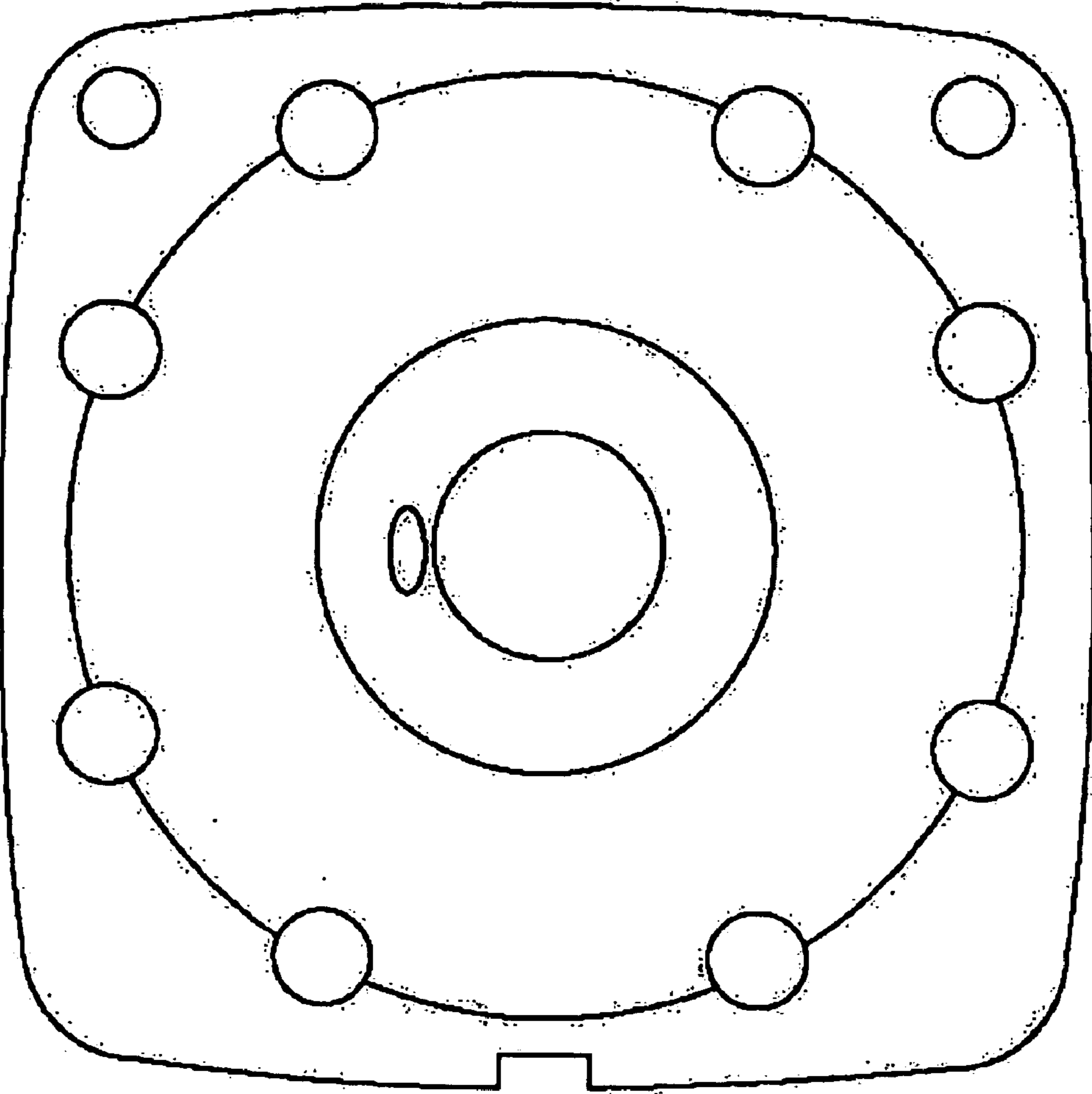


FIG. 7

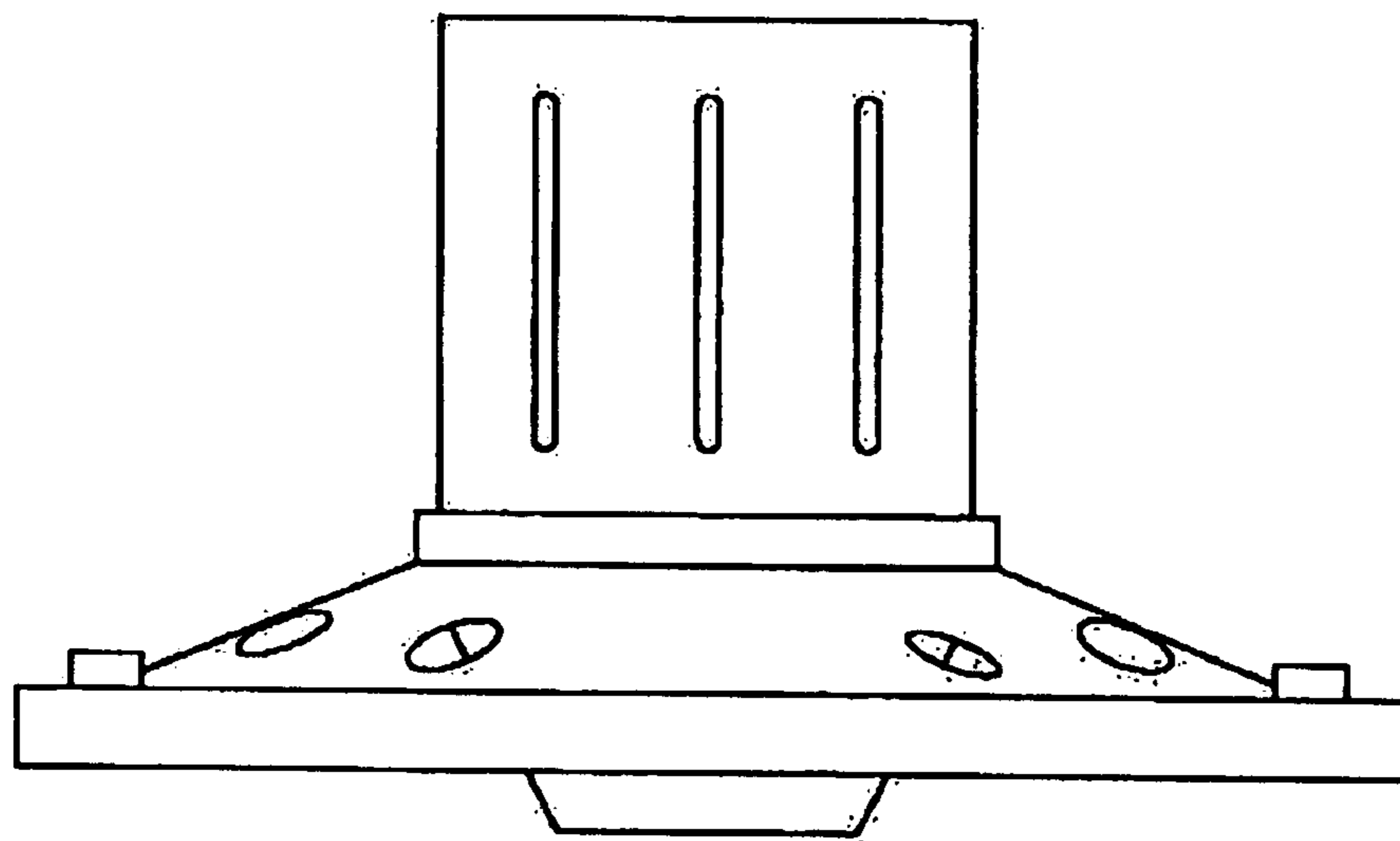


FIG. 8

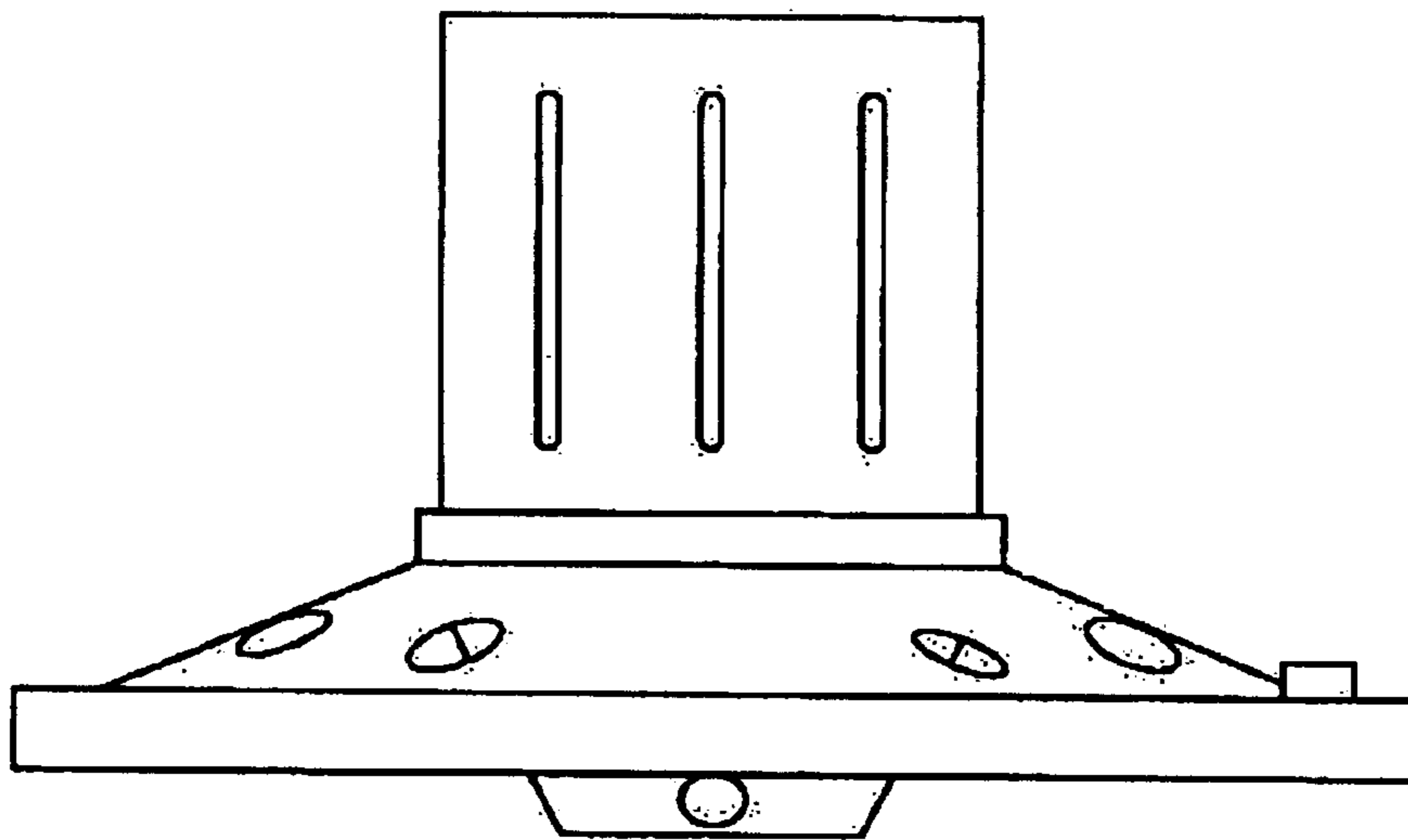


FIG. 9

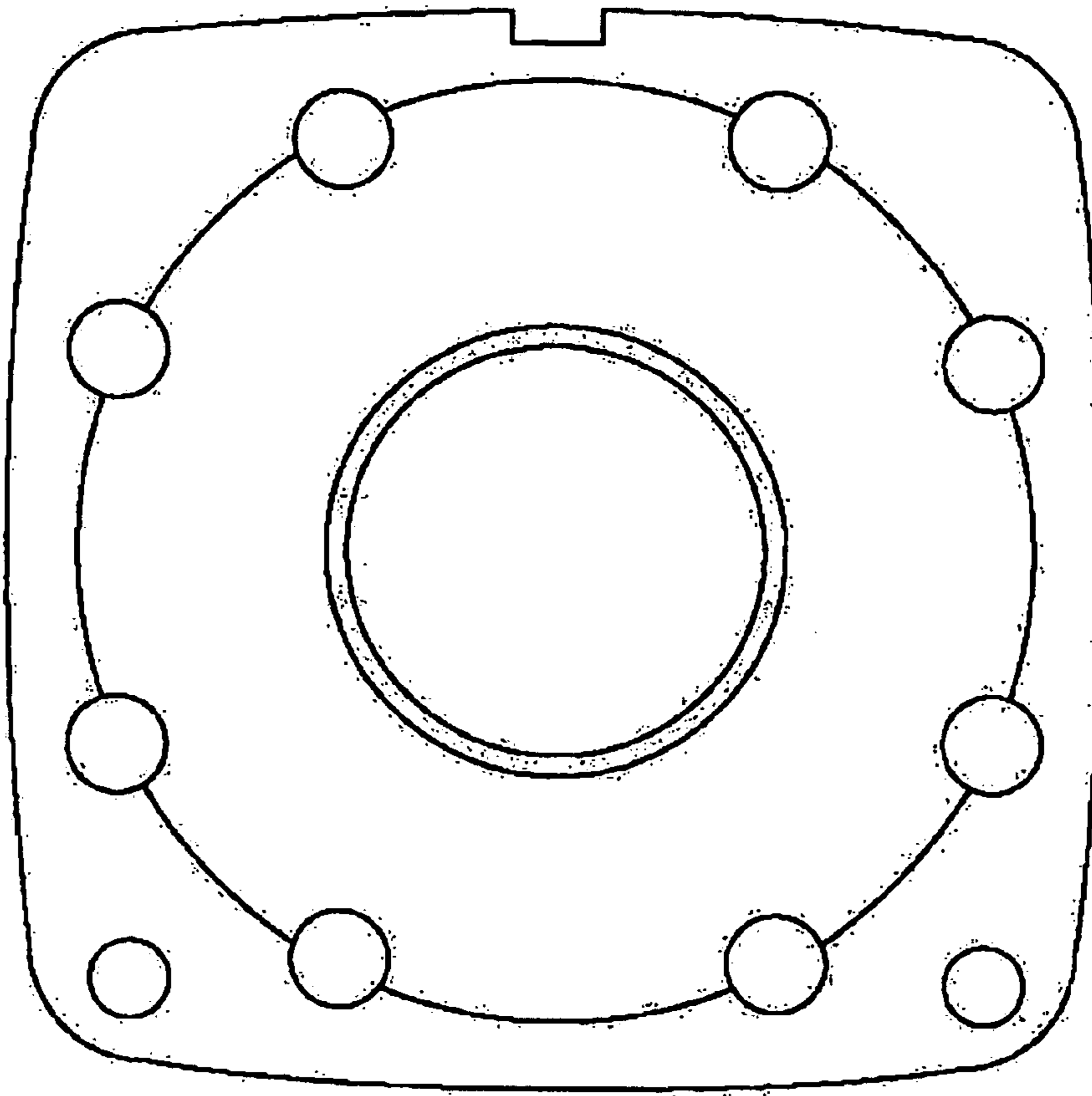


FIG. 10

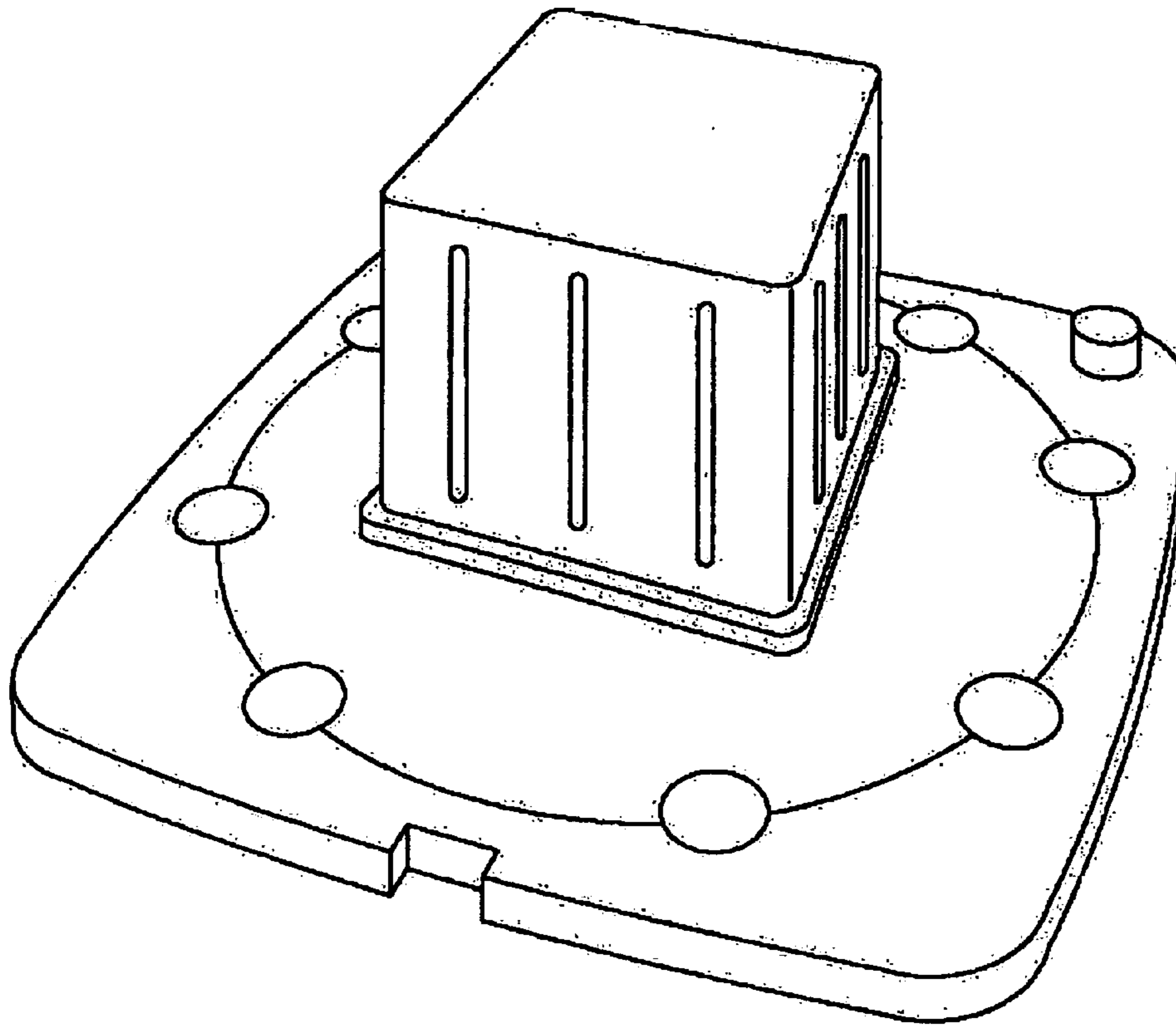


FIG. 11

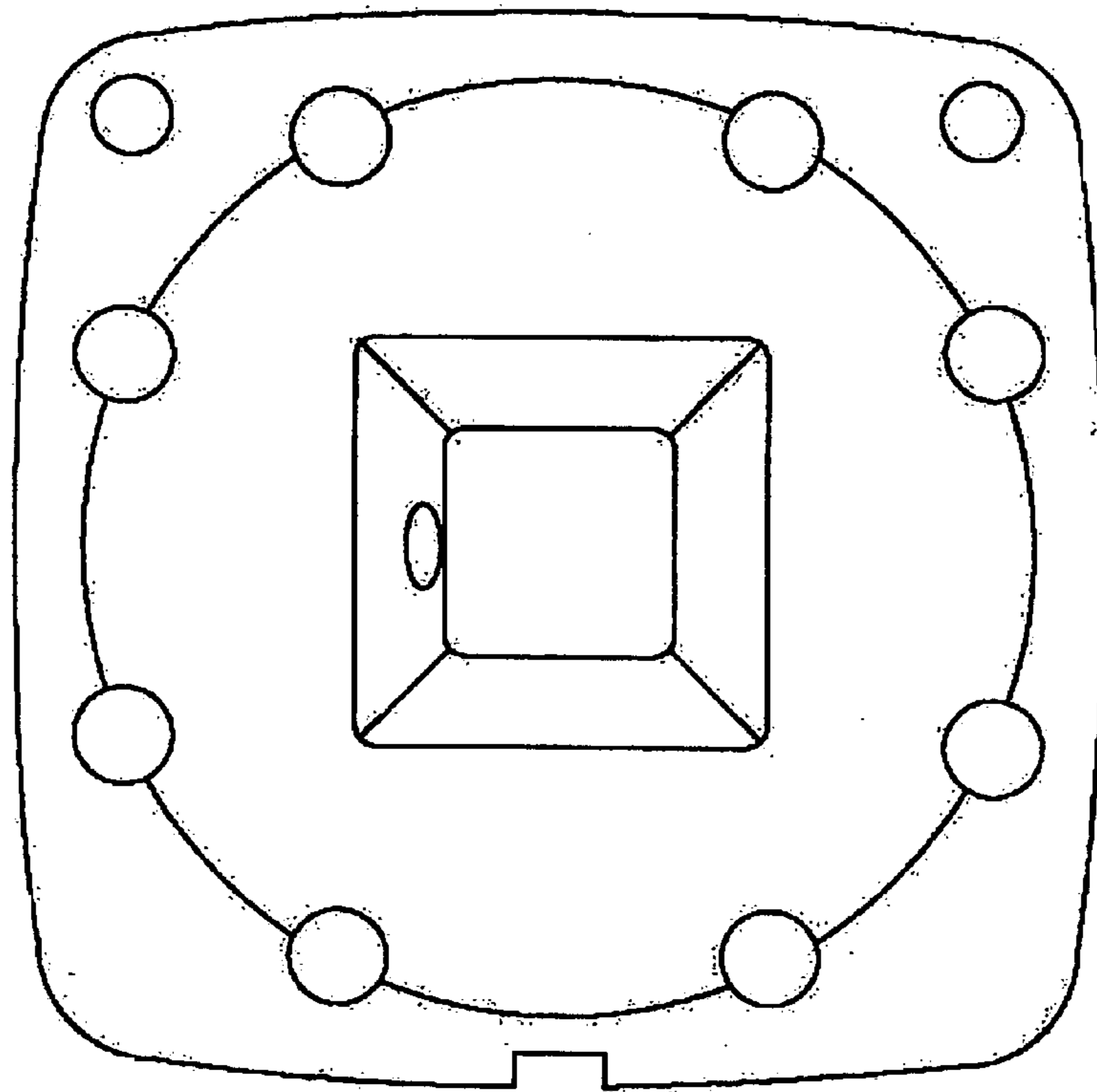


FIG. 12

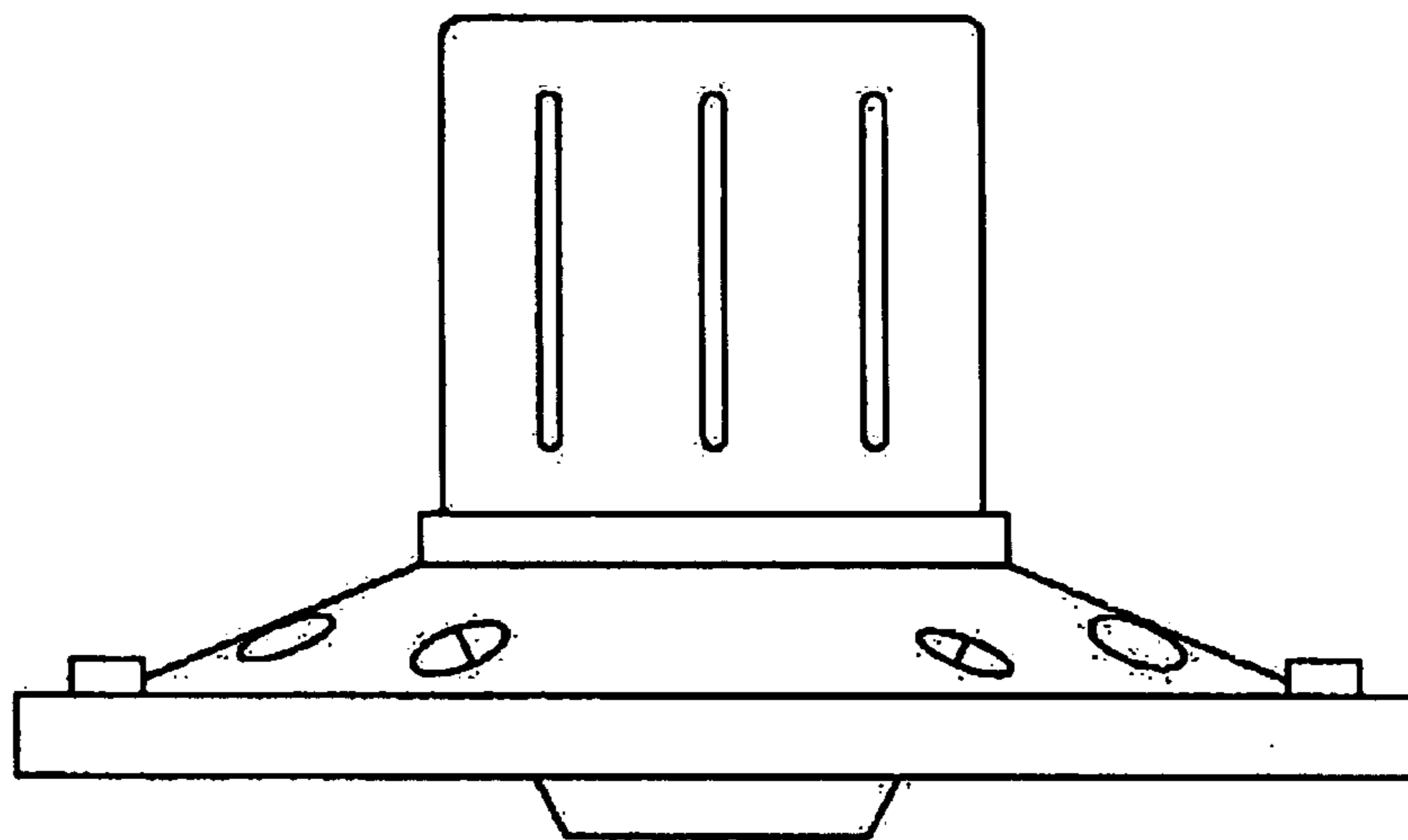


FIG. 13

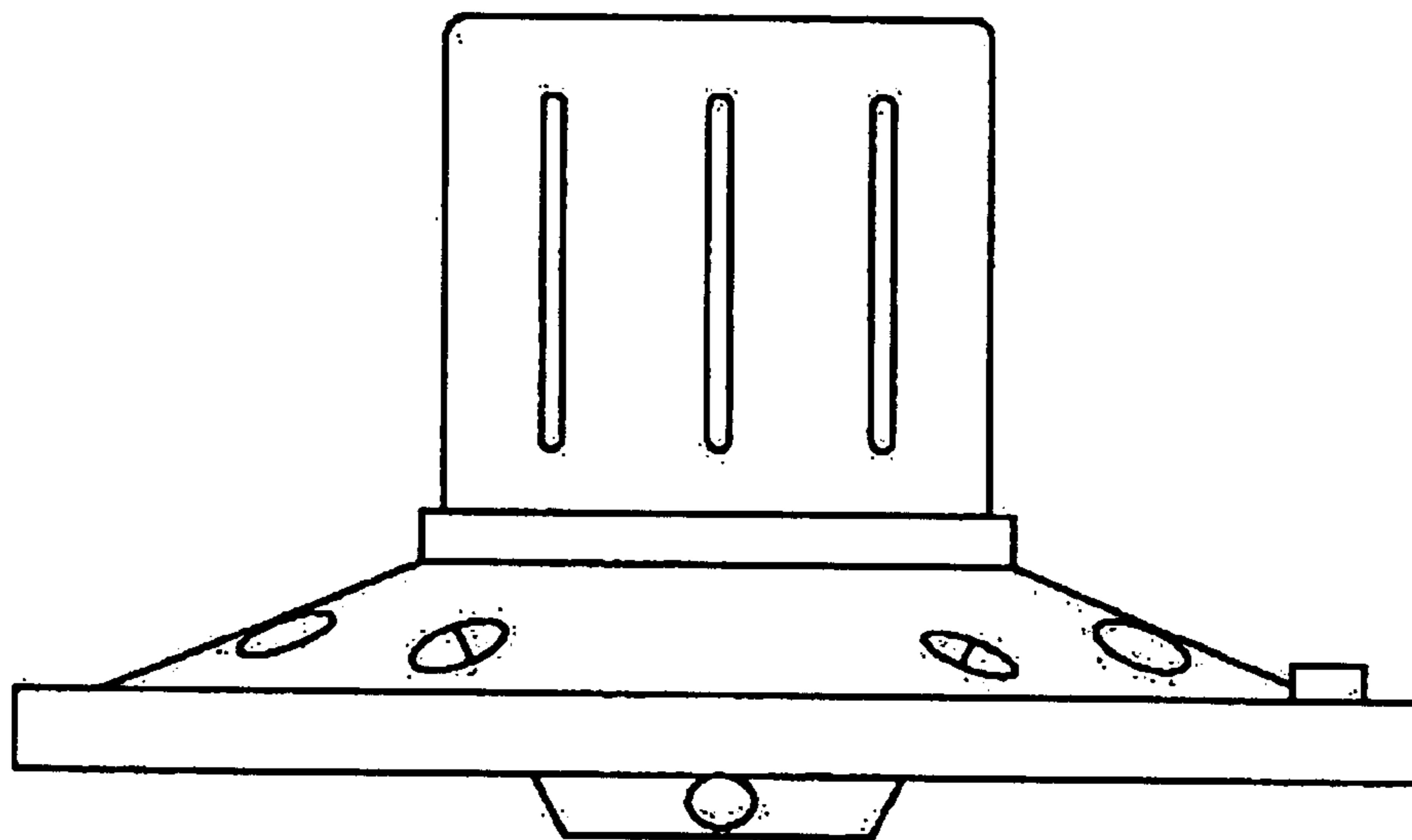


FIG. 14

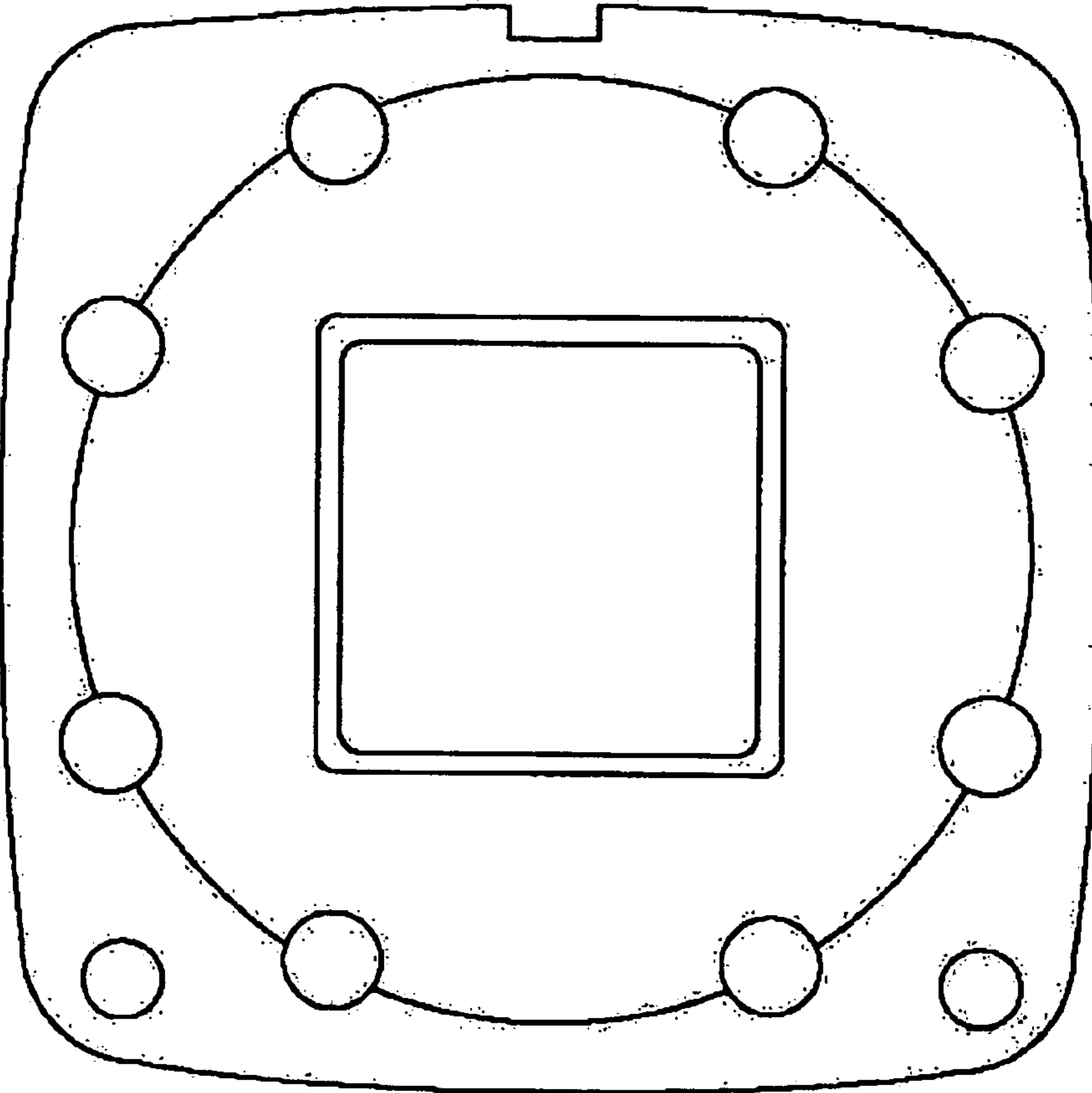


FIG. 15

UNITED STATES PATENT AND TRADEMARK OFFICE
CERTIFICATE OF CORRECTION

PATENT NO. : Des. 538,996 S
APPLICATION NO. : 29/219213
DATED : March 20, 2007
INVENTOR(S) : Gregory Terrence Lonergan

Page 1 of 1

It is certified that error appears in the above-identified patent and that said Letters Patent is hereby corrected as shown below:

On the Title page (30) of the patent, PRIORITY DOCUMENTS are listed as follows:

Australian Application No. 2519/2004 filed 16 June 2004;
Australian Application No. 2520/2004 filed 16 June 2004;
Australian Application No. 2521/2004 filed 16 June 2004;
Australian Application No. 2525/2004 filed 16 June 2004; and
Australian Application No. 2527/2004 filed 16 June 2004.

Signed and Sealed this

Twenty-seventh Day of November, 2007

A handwritten signature in black ink on a dotted background. The signature reads "Jon W. Dudas" in a cursive style.

JON W. DUDAS

Director of the United States Patent and Trademark Office