



US00D538992S

(12) **United States Design Patent**
Snell

(10) **Patent No.:** **US D538,992 S**
(45) **Date of Patent:** **** Mar. 20, 2007**

(54) **TRASH CAN**
(75) Inventor: **Russell Benton Snell**, Bentleyville, OH
(US)
(73) Assignee: **InterDesign, Inc.**, Solon, OH (US)
(**) Term: **14 Years**

D470,364 S 2/2003 Dretzka
D472,427 S * 4/2003 Dretzka D7/523
D489,501 S 5/2004 Dretzka
D490,582 S * 5/2004 Dretzka D34/1
D502,365 S * 3/2005 Dretzka D7/523
D506,640 S * 6/2005 Marck et al. D7/523
D508,594 S 8/2005 Snell
D526,848 S * 8/2006 Bodum D7/523

(21) Appl. No.: **29/231,254**
(22) Filed: **Jun. 2, 2005**

* cited by examiner

Primary Examiner—Cynthia E. Ramirez
(74) *Attorney, Agent, or Firm*—D. Peter Hochberg; Sean Mellino

(51) **LOC (8) Cl.** **09-09**
(52) **U.S. Cl.** **D34/1; D7/523; D19/85**
(58) **Field of Classification Search** D34/1,
D34/5, 6, 7; D19/77, 85; D7/396.6, 523,
D7/396.2; 220/908–913, 703, 592.16, 592.17,
220/604, 609

See application file for complete search history.

(57) **CLAIM**

The ornamental design for a trash can, as shown and described.

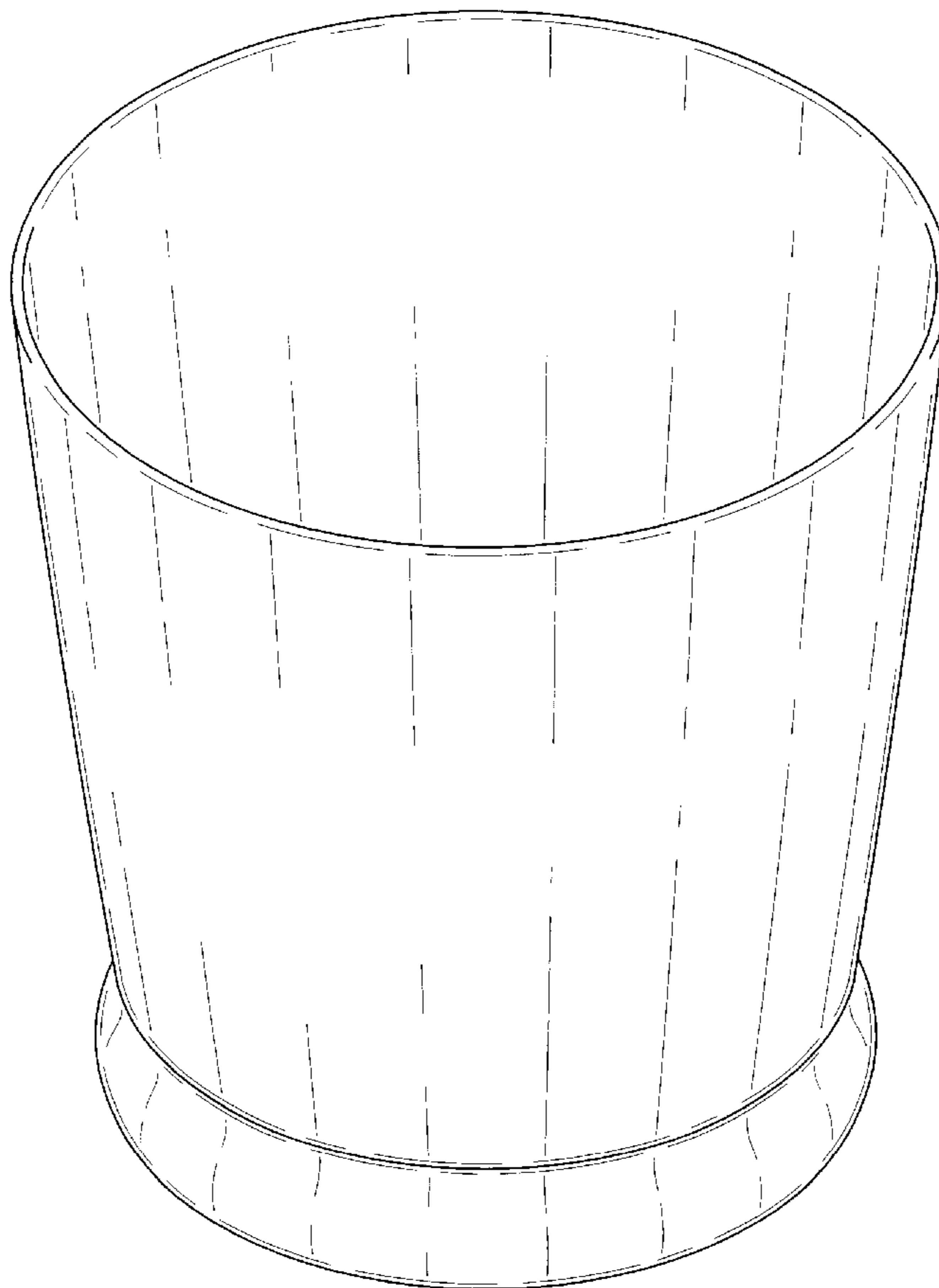
DESCRIPTION

FIG. 1 is a perspective view for a trash can showing my new design;
FIG. 2 is a side view of the trash can as shown in FIG. 1;
FIG. 3 is a top view of the trash can as shown in FIG. 1; and,
FIG. 4 is a bottom view of the trash can as shown in FIG. 1.

(56) **References Cited**
U.S. PATENT DOCUMENTS

D216,142 S * 11/1969 Gribbens D7/523
4,210,141 A * 7/1980 Brockman et al. 604/78
D457,389 S 5/2002 Snell
D457,782 S * 5/2002 Snell D7/396.6
6,439,418 B1 8/2002 Immerman et al.

1 Claim, 3 Drawing Sheets



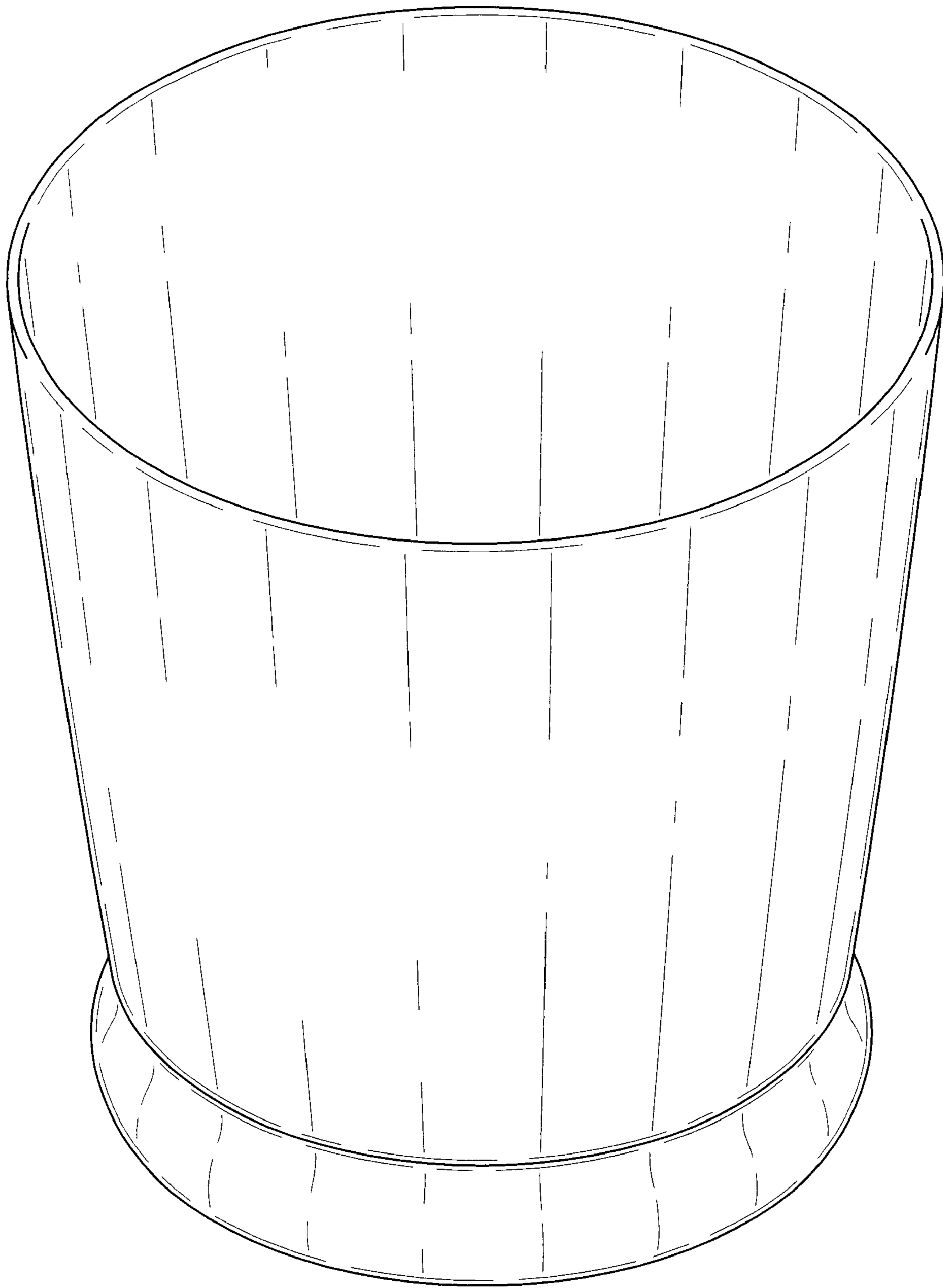


FIG-1

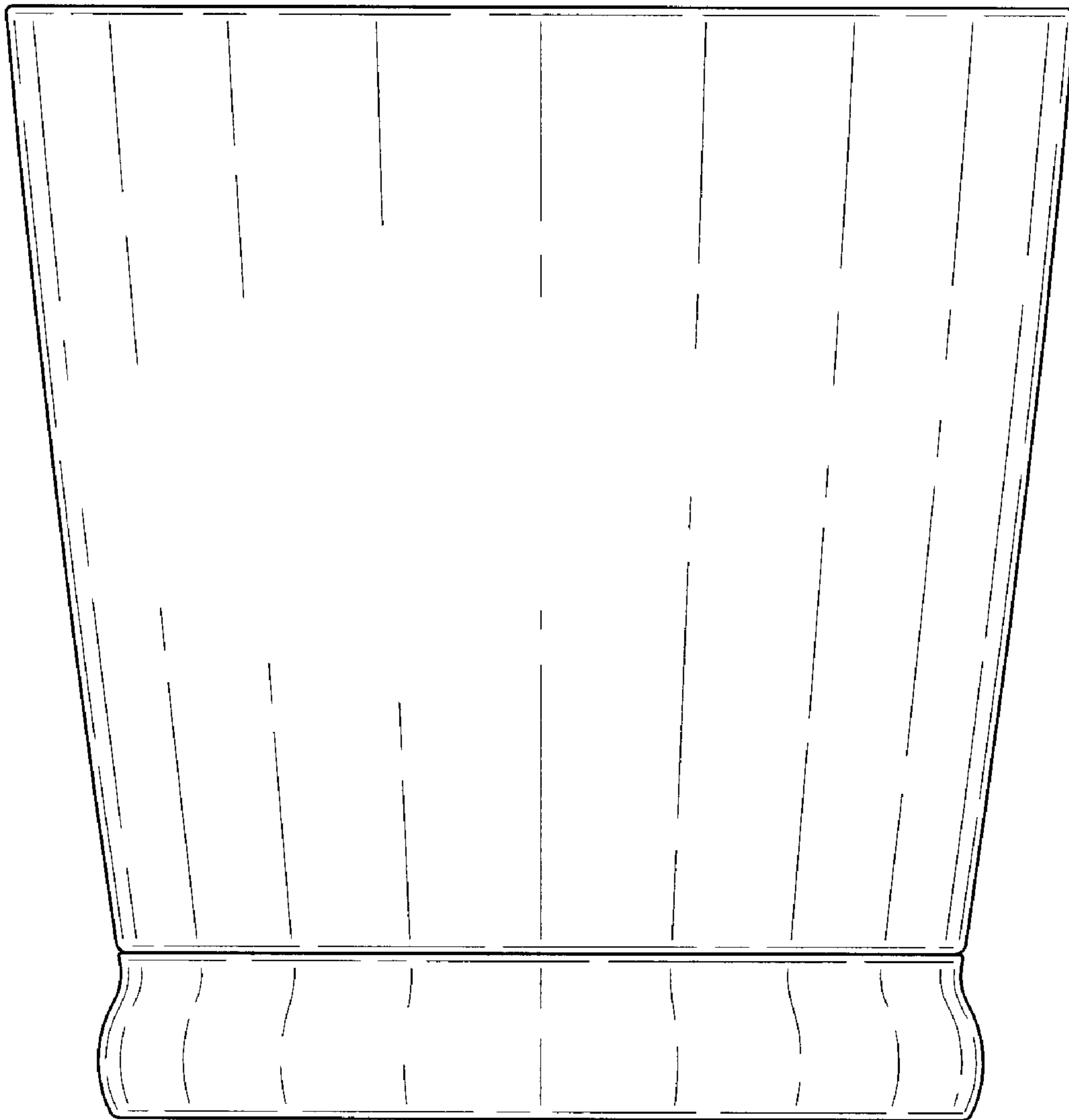


FIG-2

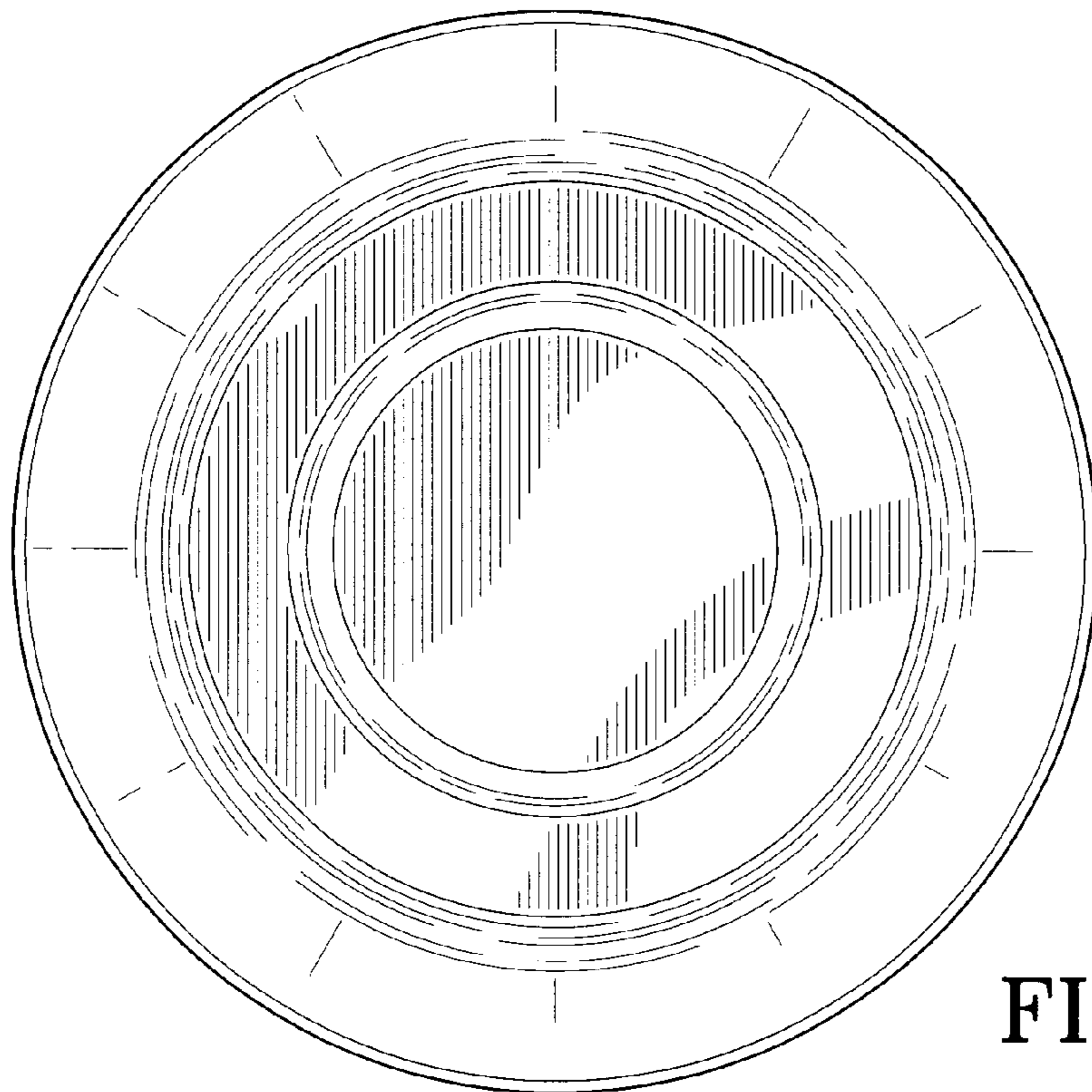


FIG-3

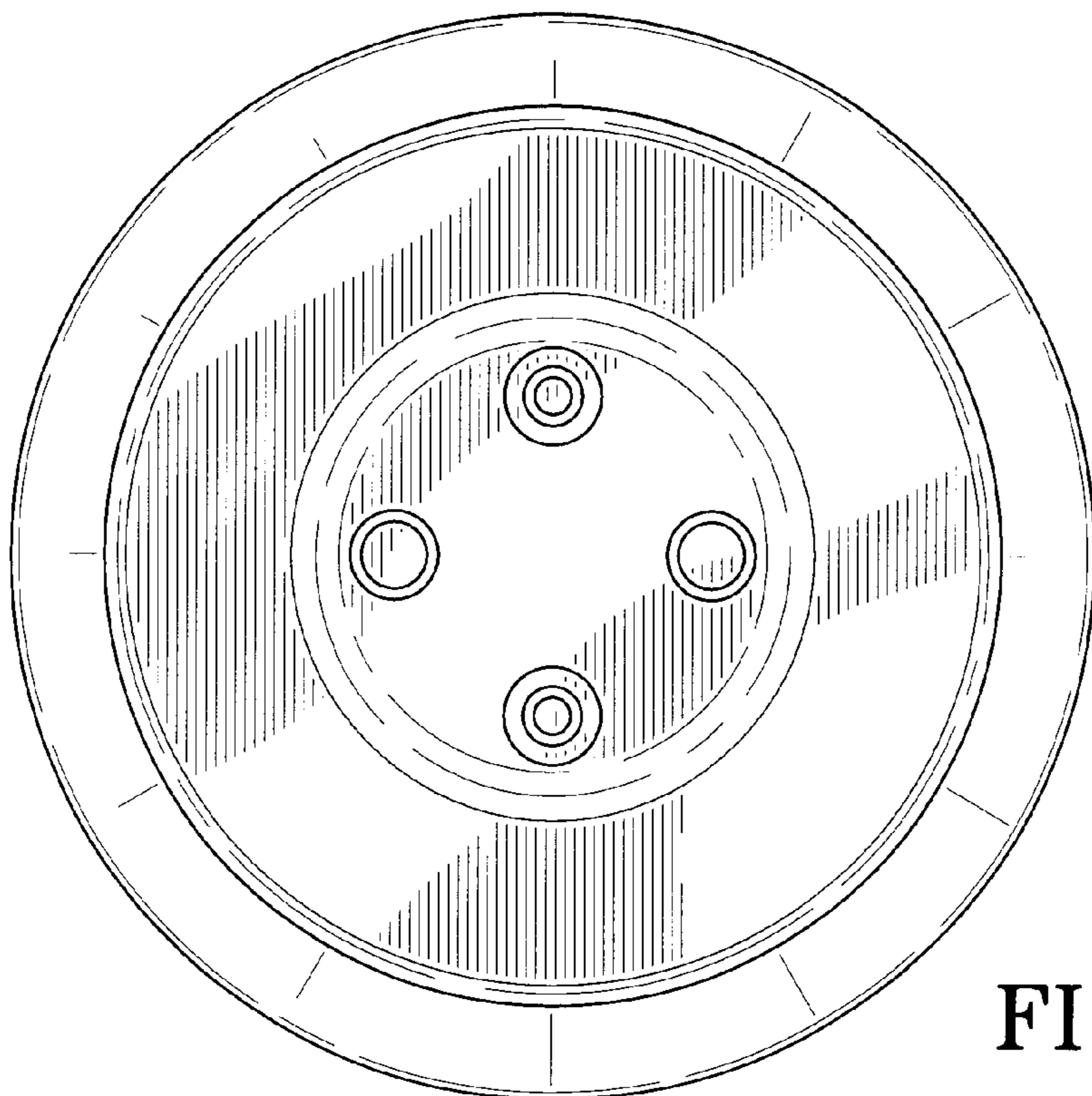


FIG-4