



US00D538985S

(12) **United States Design Patent**
Porter et al.

(10) **Patent No.:** **US D538,985 S**
(45) **Date of Patent:** **** Mar. 20, 2007**

(54) **INDICIA FOR A FLOOR CARE APPLIANCE**

(75) Inventors: **John Charles Porter**, Alliance, OH (US); **Kevin Earl Scheifele**, Tallmadge, OH (US); **Gilberto Cavada, Jr.**, Melrose Park, IL (US); **Jean Ellen Kiple**, Lake Villa, IL (US); **Frank Thomas Poggio**, Lincolnshire, IL (US)

(73) Assignee: **The Hoover Company**, North Canton, OH (US)

(**) Term: **14 Years**

(21) Appl. No.: **29/229,522**

(22) Filed: **May 9, 2005**

(51) **LOC (8) Cl.** **15-05**

(52) **U.S. Cl.** **D32/31**

(58) **Field of Classification Search** D32/17, D32/31-33, 38-39; 15/321-322, 324, 325, 15/327.5, 329, 414, 415.1, 416, 418-422, 15/422.1, 354, 363, 366, 334, 338, 41.1; D13/177; 43/139; 134/113; D11/95, 99; D20/10-11, D20/28, 40

See application file for complete search history.

(56) **References Cited**

U.S. PATENT DOCUMENTS

D95,382 S * 4/1935 Schlesinger D11/95

D277,109 S * 1/1985 Gordon D20/11
D390,805 S * 2/1998 Monosov D11/95
D418,953 S * 1/2000 Farone et al. D32/31
D444,817 S * 7/2001 Russell D20/11
D449,344 S * 10/2001 Curry D20/11
D507,987 S * 8/2005 Davis D11/95
D518,613 S * 4/2006 Alton D32/32
2004/0211027 A1 * 10/2004 Park et al. 15/354

* cited by examiner

Primary Examiner—Ruth McInroy

(74) *Attorney, Agent, or Firm*—A. Burgess Lowe, Esq.; Michael J. Corrigan, Esq.

(57) **CLAIM**

We claim the ornamental design for an indicia for a floor care appliance, as shown and described.

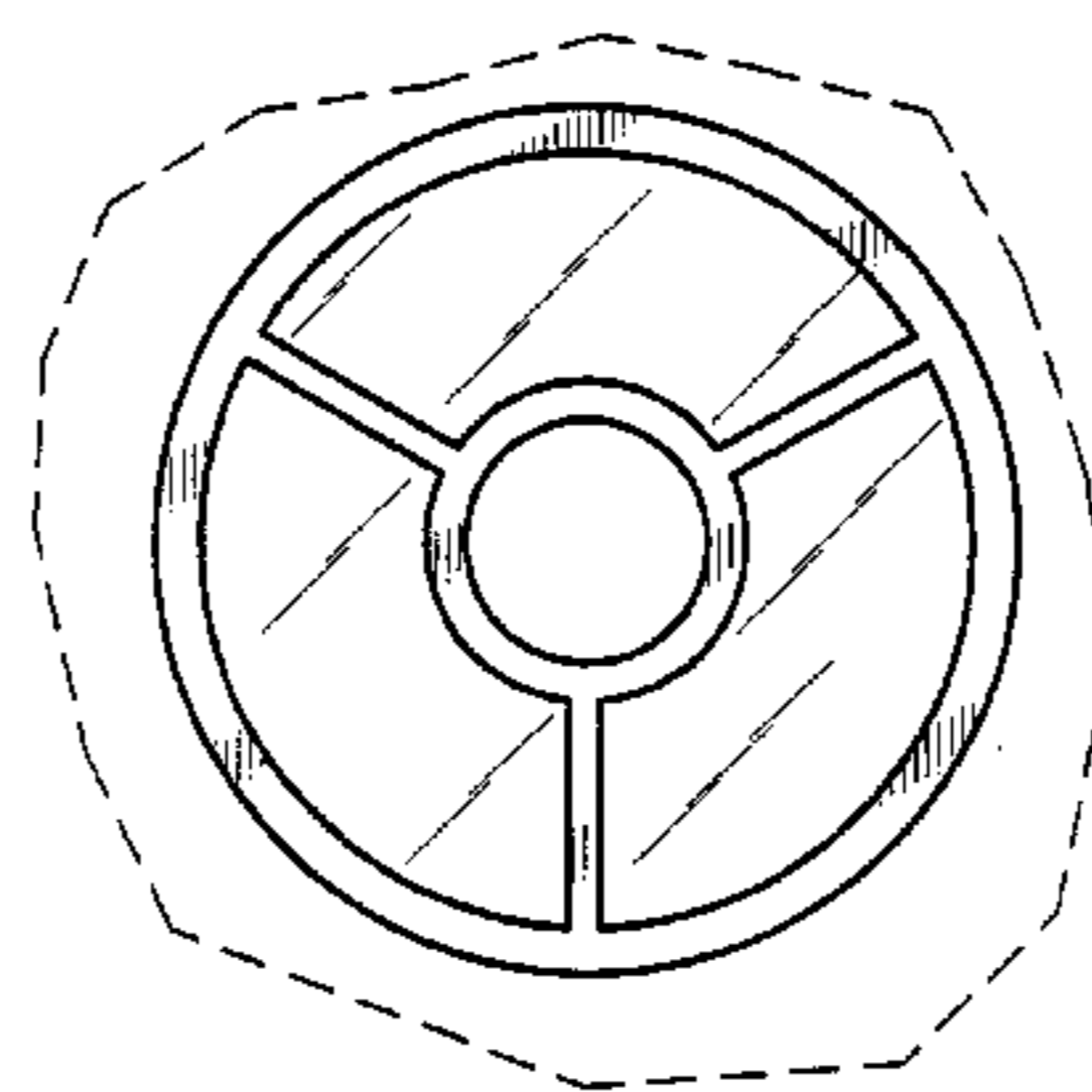
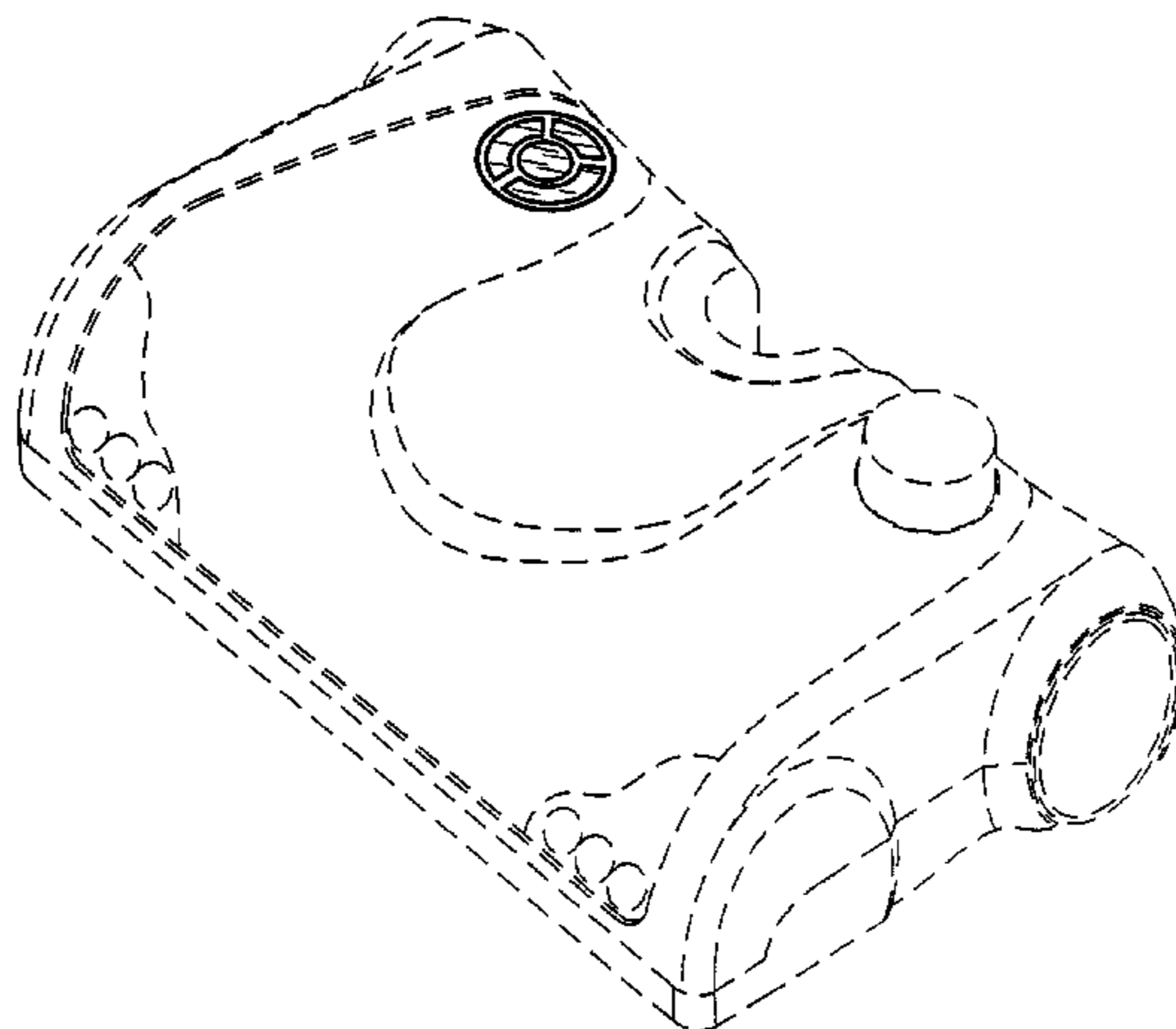
DESCRIPTION

FIG. 1 is a perspective view of an indicia for a floor care appliance showing our new design; and,

FIG. 2 is a top view thereof.

The portions of the suction nozzle shown in broken lines are for illustrative purposes only and form no part of the claimed design.

1 Claim, 1 Drawing Sheet



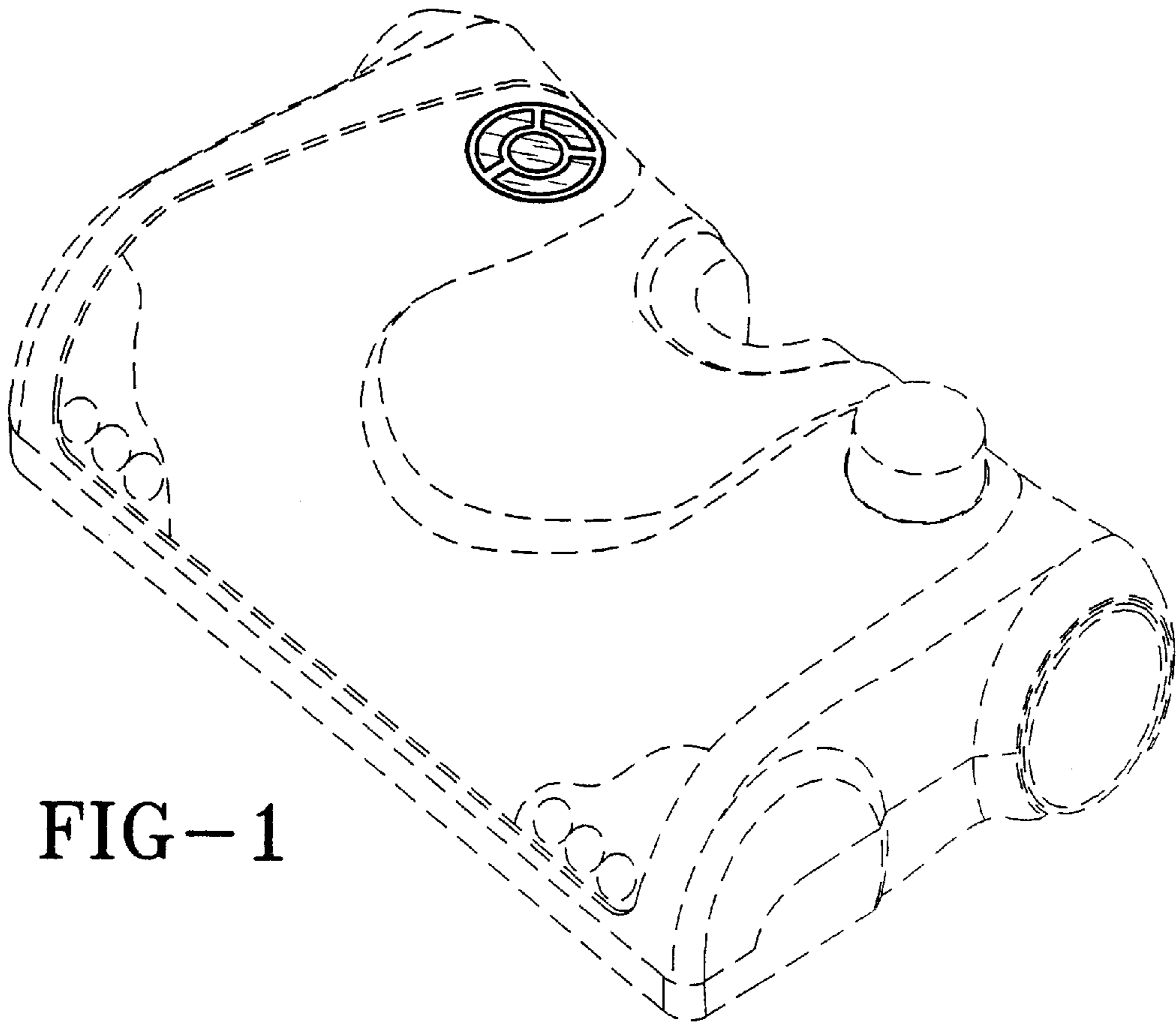


FIG-1

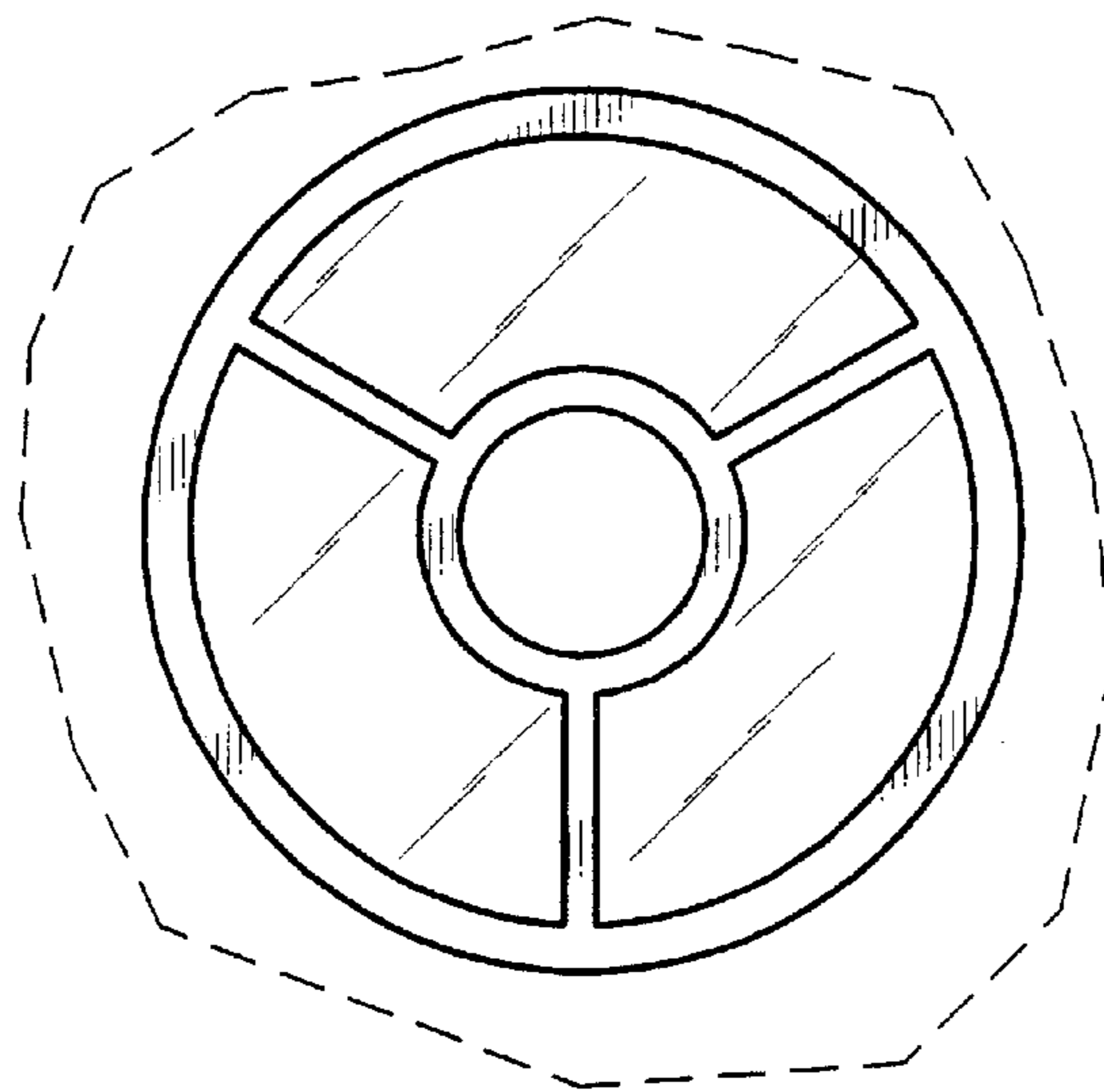


FIG-2