



US00D538984S

(12) **United States Design Patent**
King

(10) **Patent No.:** **US D538,984 S**

(45) **Date of Patent:** **** Mar. 20, 2007**

(54) **DRYING DEVICE FOR USE IN DETAILING MOTORCYCLES**

(76) Inventor: **Vincent M. King**, 142 Springdale Dr., Leesburg, GA (US) 31763

(**) Term: **14 Years**

(21) Appl. No.: **29/206,572**

(22) Filed: **Jun. 1, 2004**

(51) **LOC (8) Cl.** **15-05**

(52) **U.S. Cl.** **D32/15**

(58) **Field of Classification Search** D32/1,
D32/15, 16, 17, 21, 18, 25; 15/344, 345,
15/405; D23/213

See application file for complete search history.

(56) **References Cited**

U.S. PATENT DOCUMENTS

1,997,387 A	4/1935	McCord
2,604,361 A	7/1952	Yates
2,783,092 A	2/1957	Gavin et al.
2,969,559 A	1/1961	Landis
3,209,127 A	9/1965	Graves
3,211,890 A	10/1965	Graves
3,248,133 A	4/1966	Michnoff
3,280,302 A	10/1966	Jepson
3,761,774 A	9/1973	Laughinghouse et al. . 317/18 A
3,837,581 A	9/1974	Orsoff 239/289
3,943,329 A	3/1976	Hlavac 219/367
4,060,874 A	12/1977	Furutsutsumi 15/405
4,366,368 A	12/1982	Stephens, III 219/367
4,653,382 A	3/1987	Morimoto 34/97
4,718,140 A	1/1988	Johnson 15/330
4,800,654 A	1/1989	Levin et al. 34/97
4,995,171 A	2/1991	Yoshinaga et al. 34/97
5,155,925 A	10/1992	Choi 34/97
5,195,253 A	3/1993	Poumey et al. 34/97
D339,432 S	* 9/1993	Rakocy et al. D32/15
5,251,281 A	10/1993	Fravel, Jr. 392/384
D344,615 S	* 2/1994	Berfield et al. D32/15

5,317,815 A	6/1994	Hwang 34/97
5,344,314 A	9/1994	Zagoroff et al. 432/222
D354,378 S	* 1/1995	McKnight et al. D32/15
5,394,620 A	3/1995	Chimera 34/97
D358,912 S	* 5/1995	Baker et al. D32/15
5,433,017 A	7/1995	Brauchli et al. 34/82
D363,149 S	* 10/1995	Franke et al. D32/15
5,490,336 A	2/1996	Smick et al. 34/97
D368,341 S	* 3/1996	Pink D32/15
5,507,103 A	4/1996	Merritt 34/97
D372,347 S	* 7/1996	Porfilio et al. D32/15
5,608,975 A	3/1997	Hsu 34/97
5,701,681 A	12/1997	Wonka et al. 34/97
5,839,205 A	11/1998	Hung 34/97
5,857,262 A	1/1999	Bonnema et al. 34/97
5,884,008 A	3/1999	Goldberg 392/385
6,021,584 A	2/2000	Schwartz 34/666
6,085,435 A	7/2000	Russi 34/97
D431,697 S	* 10/2000	Hayakawa et al. D32/15
6,148,537 A	11/2000	Altamore 34/97
D461,605 S	* 8/2002	Griffin D32/15

* cited by examiner

Primary Examiner—Louis S. Zarfaz

Assistant Examiner—Kathleen Sims

(74) *Attorney, Agent, or Firm*—Thomas, Kayden, Horstemeyer & Risley, LLP

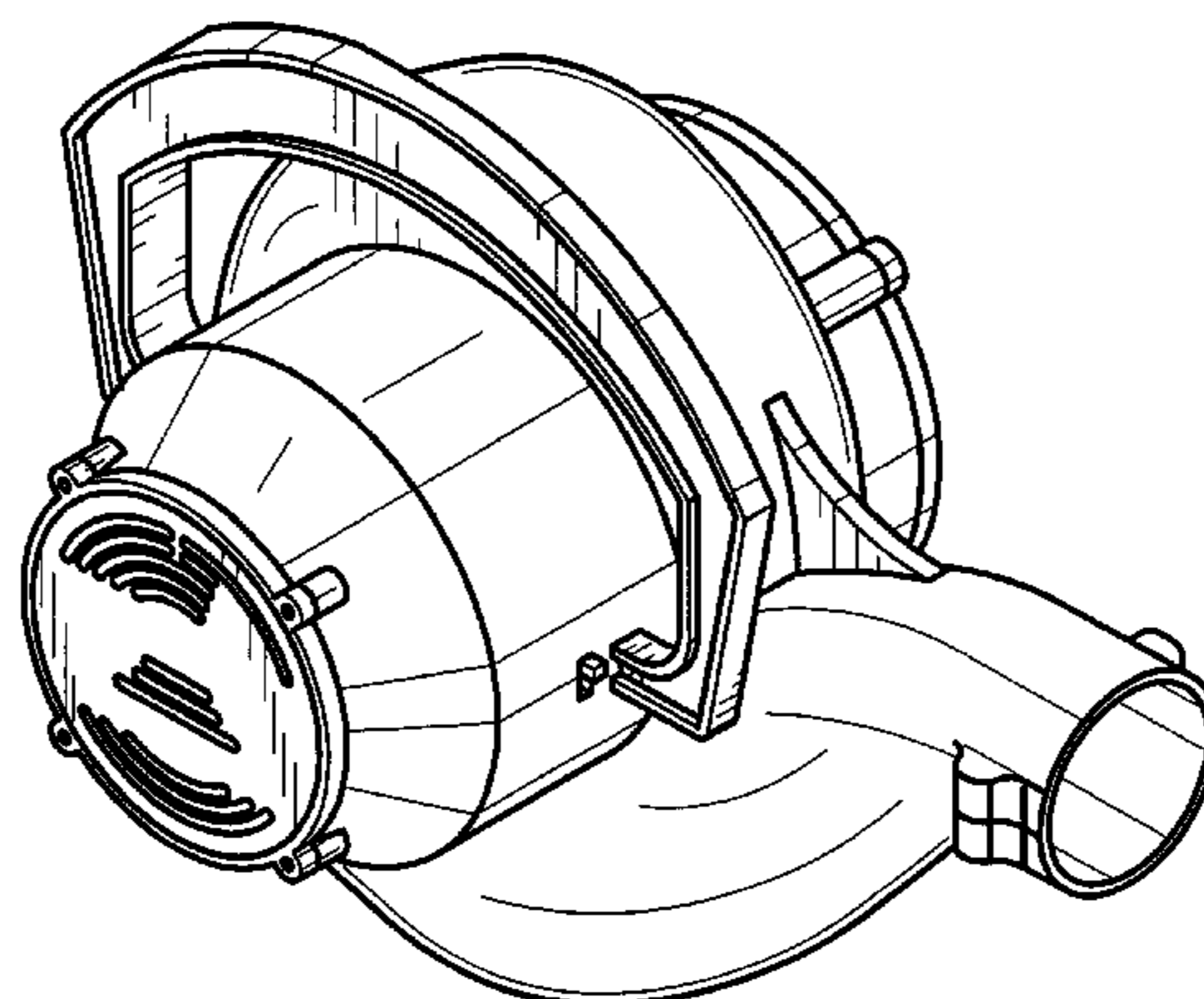
(57) **CLAIM**

The ornamental design for a drying device for use in detailing motorcycles, as shown and described.

DESCRIPTION

FIG. 1 is a perspective view showing my new drying device for use in detailing motorcycles;
FIG. 2 is a left side view thereof;
FIG. 3 is a right side view thereof;
FIG. 4 is a top view thereof;
FIG. 5 is a bottom thereof;
FIG. 6 is a front view thereof; and,
FIG. 7 is a back view thereof.

1 Claim, 4 Drawing Sheets



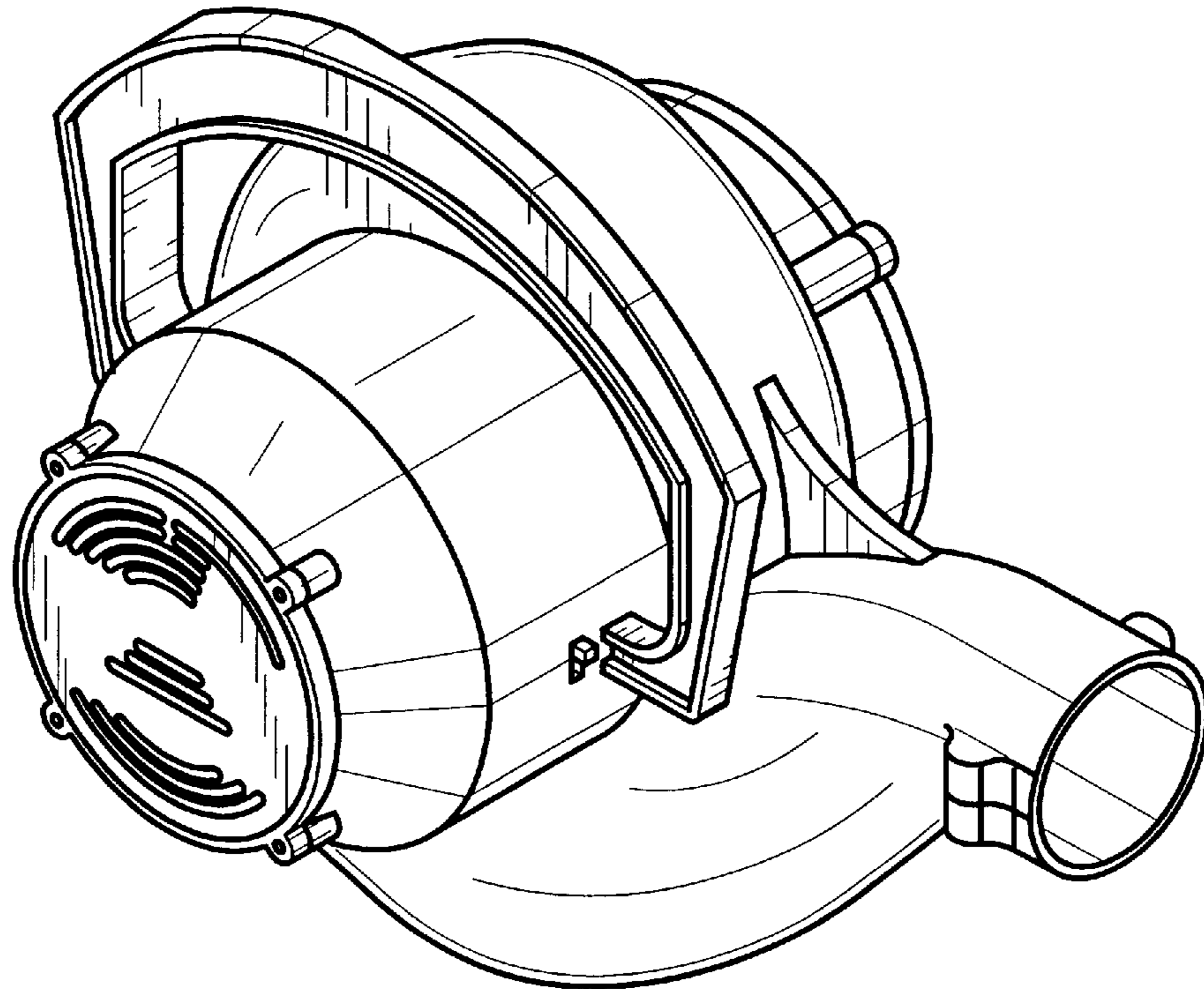


FIG. 1

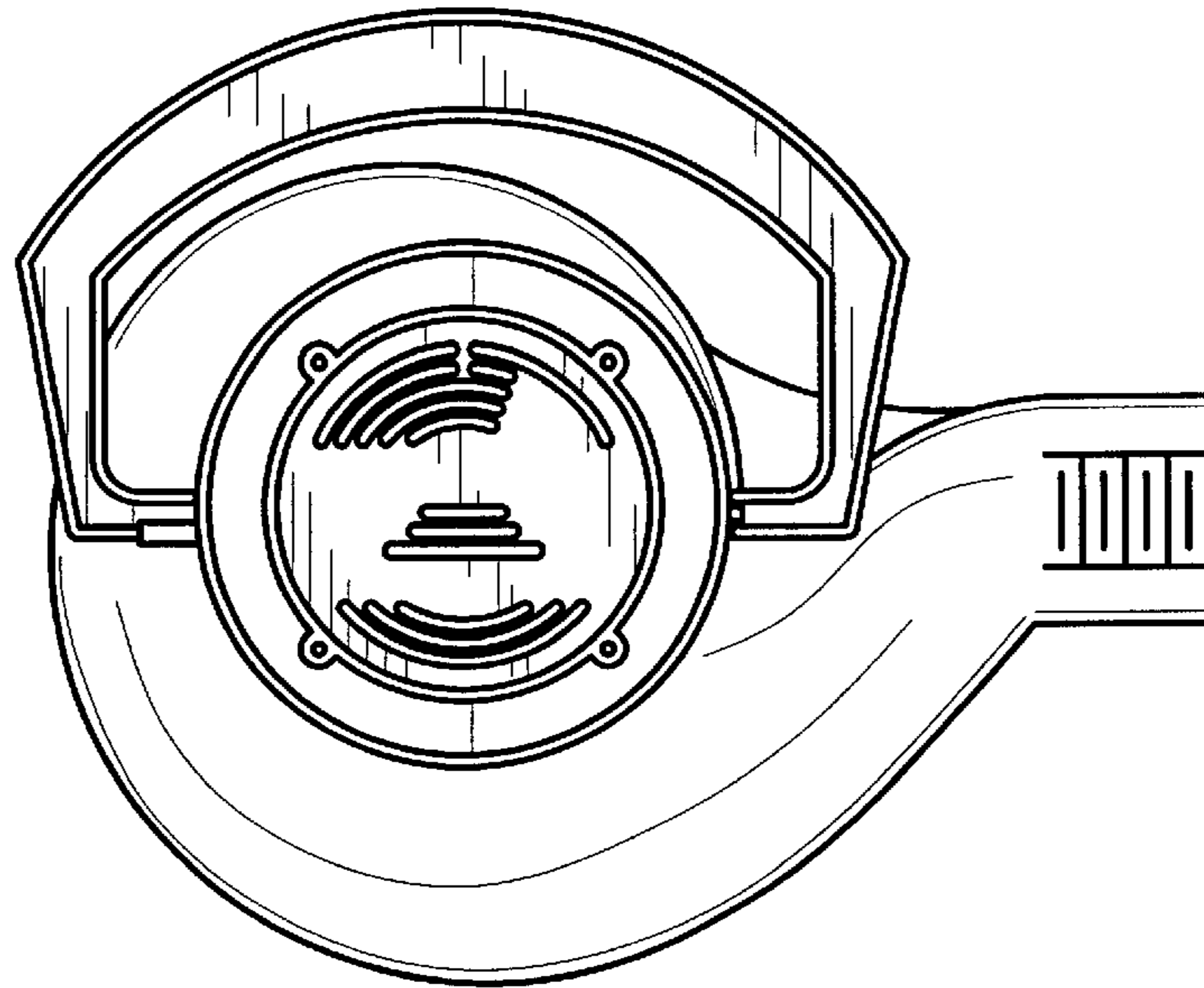


FIG. 2

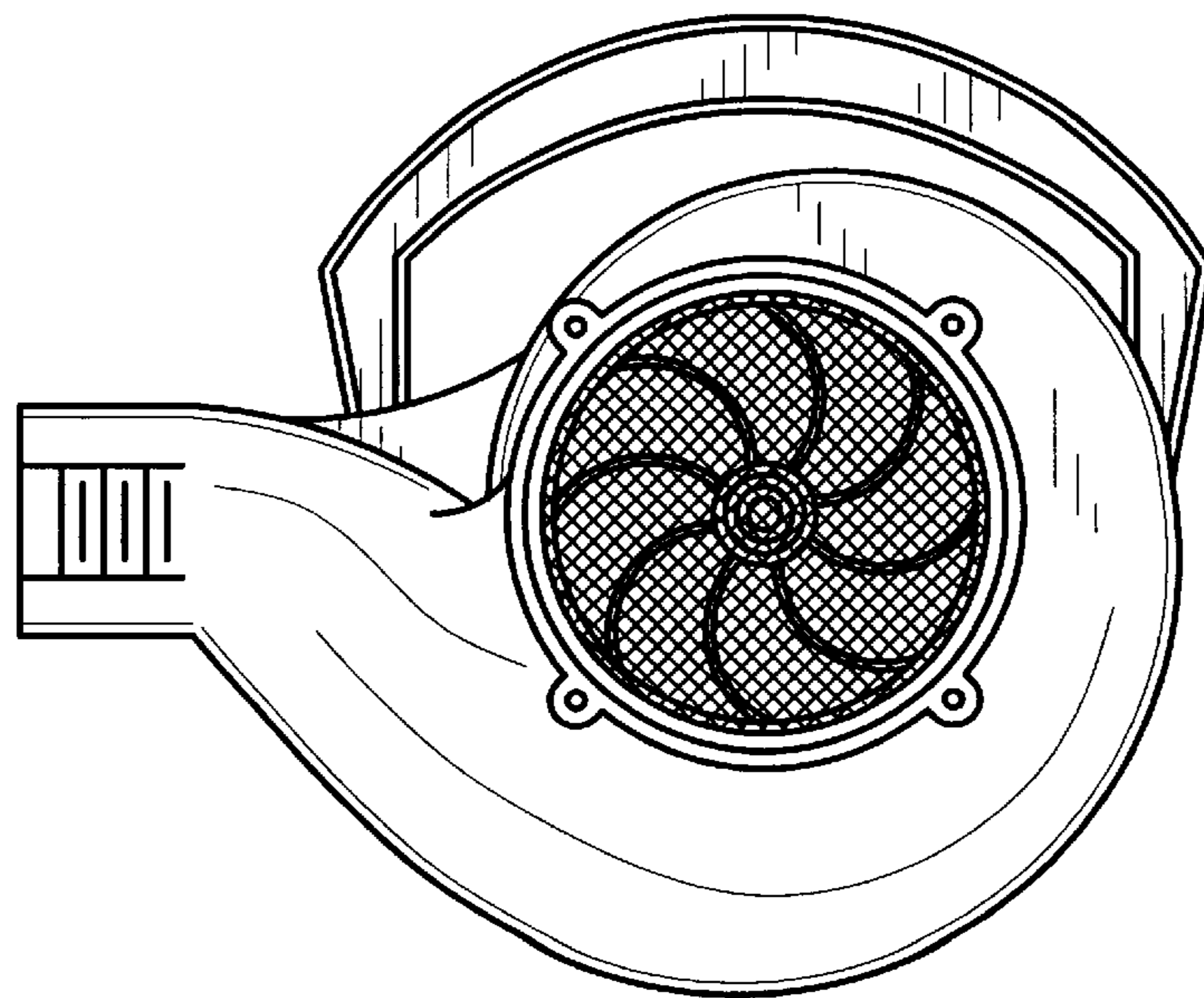


FIG. 3

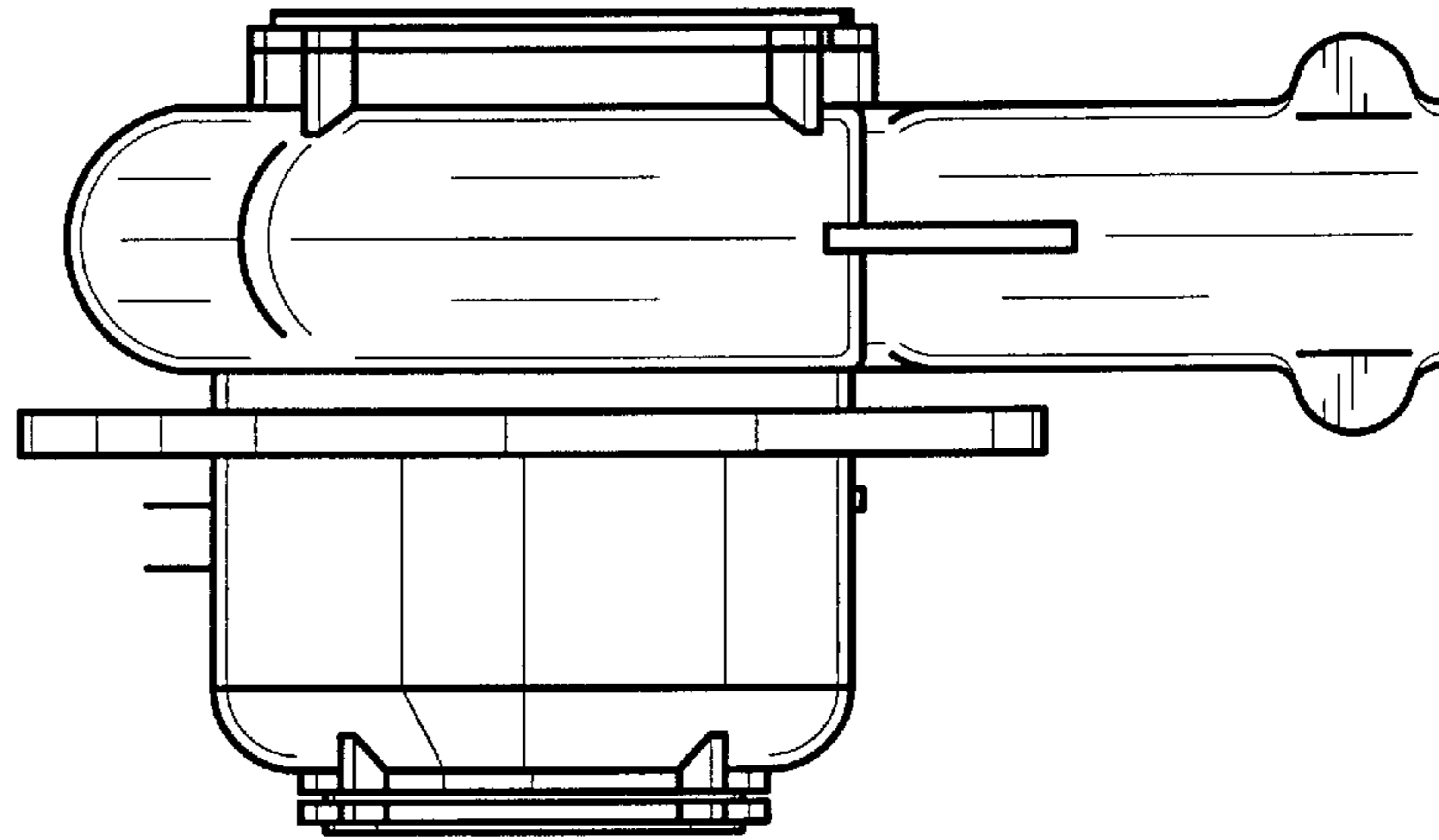


FIG. 4

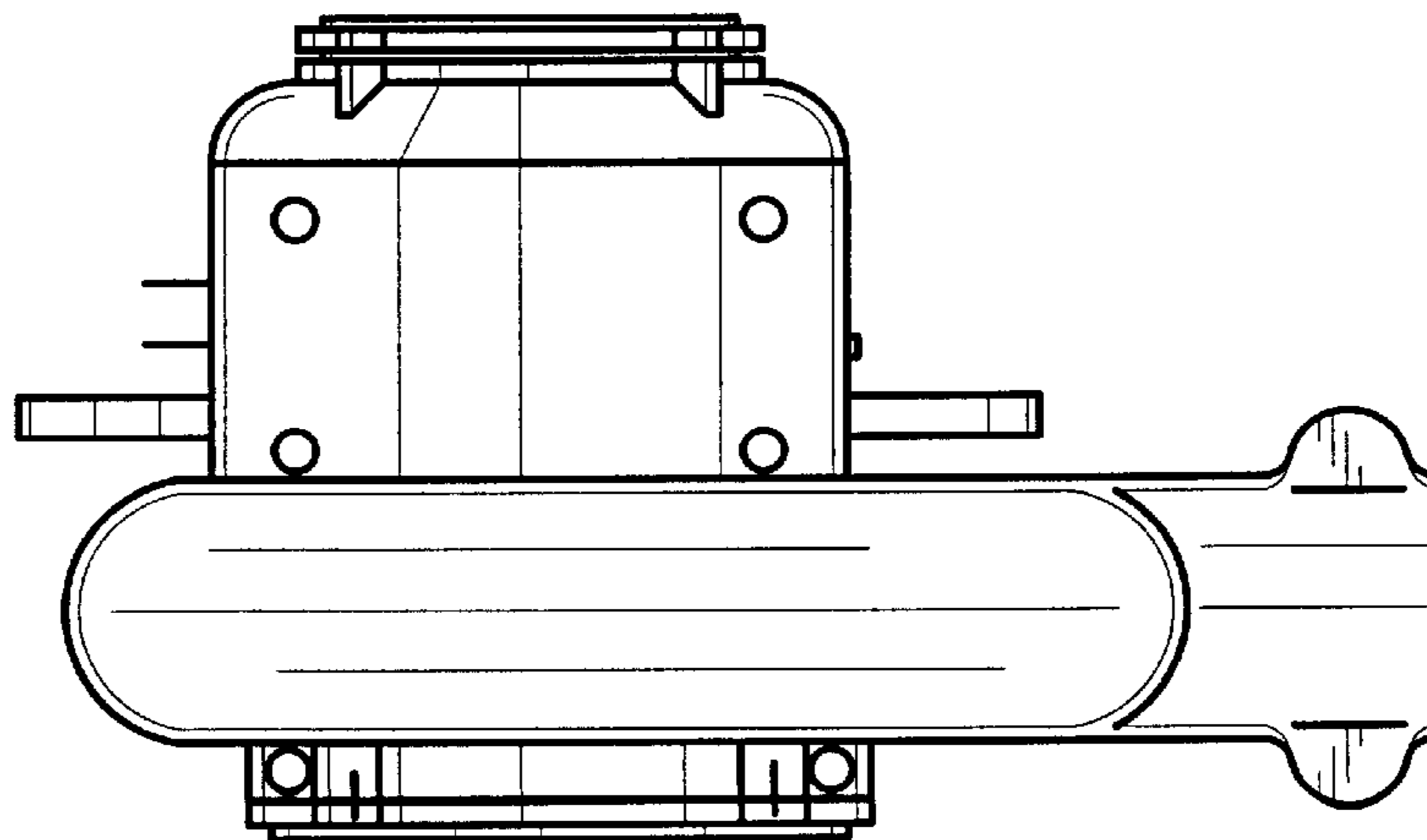


FIG. 5

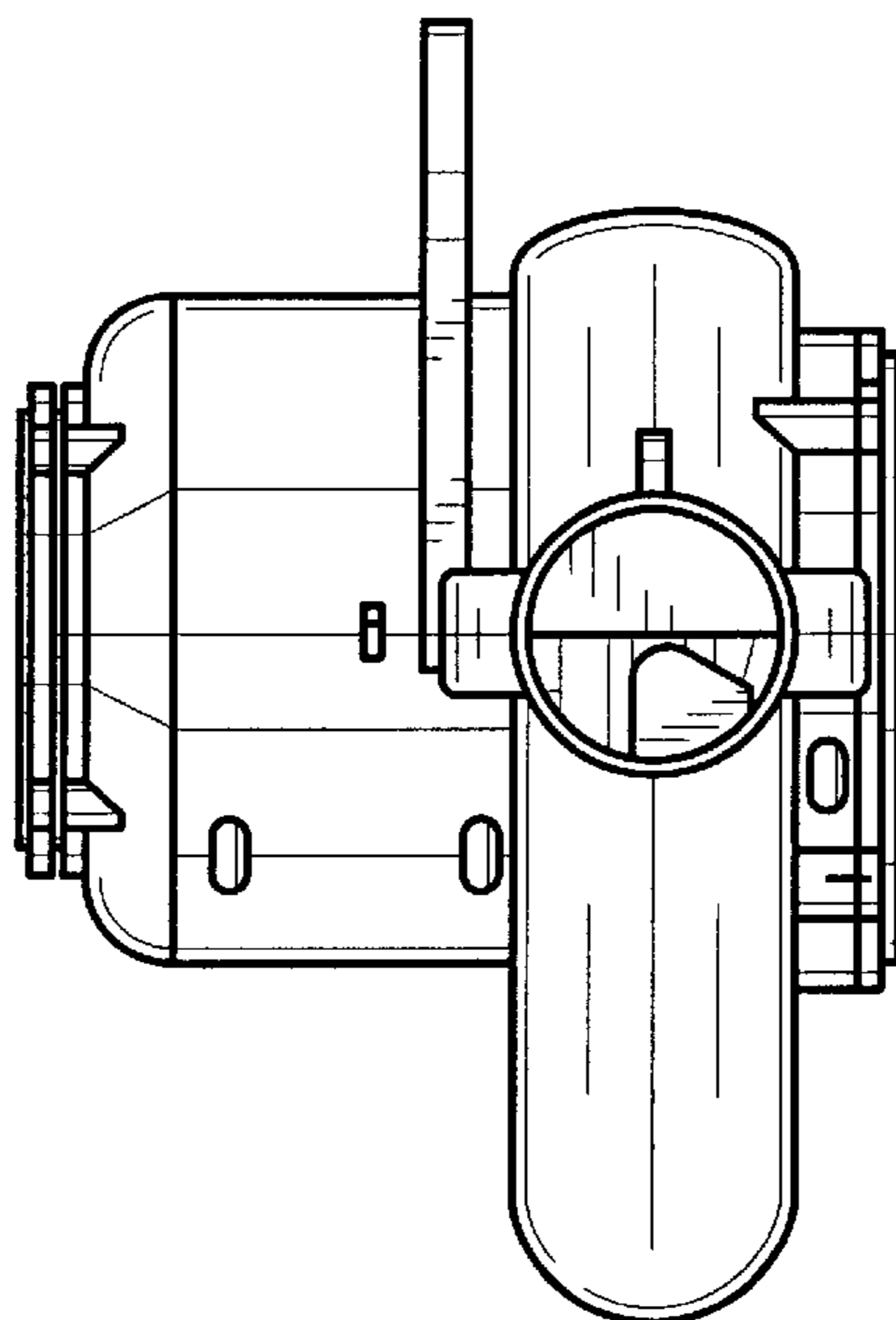


FIG. 6

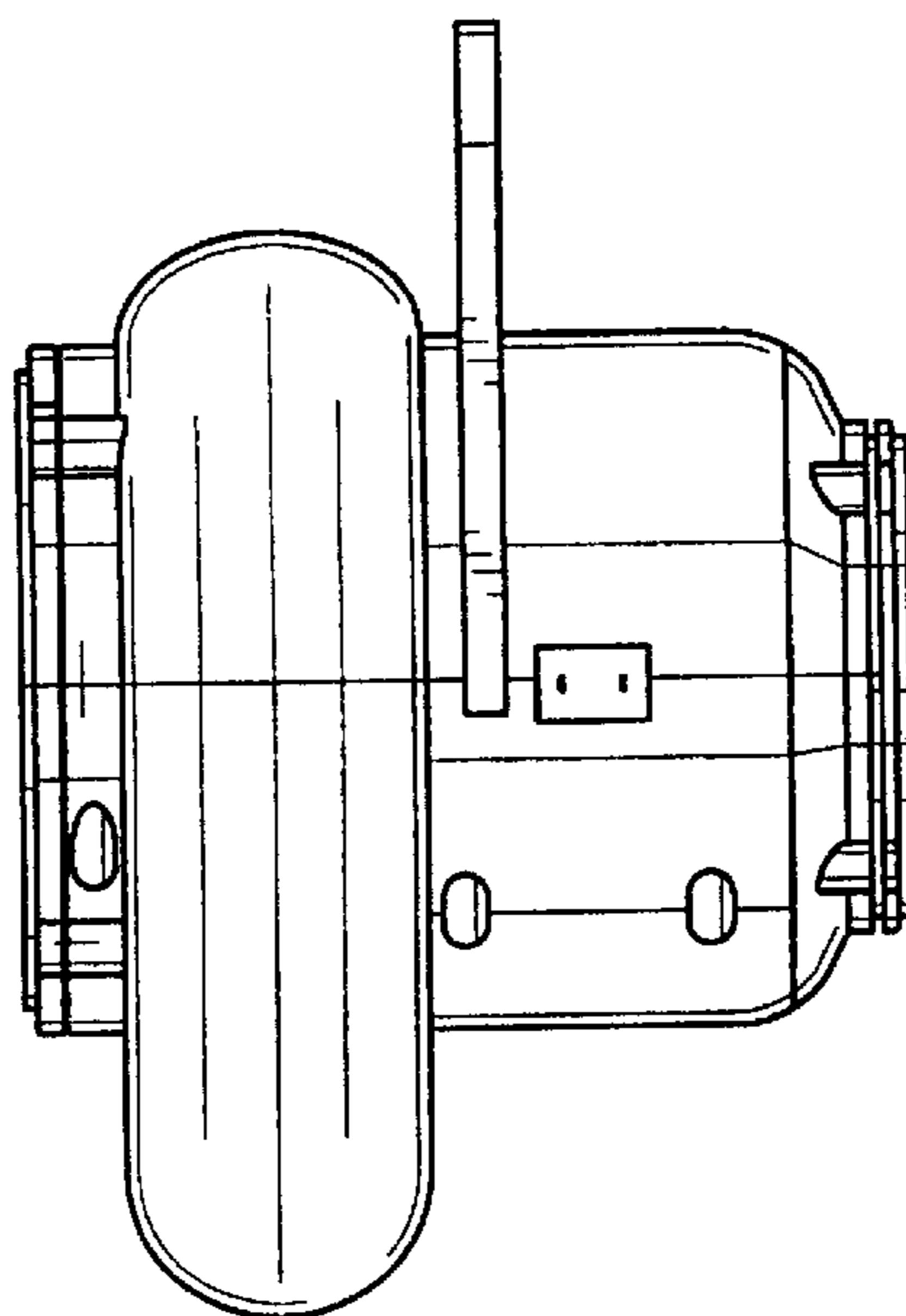


FIG. 7