



US00D538981S

(12) **United States Design Patent**  
**Skowronski**

(10) **Patent No.:** **US D538,981 S**

(45) **Date of Patent:** **\*\* Mar. 20, 2007**

- (54) **OVAL PET DISH**
- (75) Inventor: **Richard Skowronski**, North Hampton, NH (US)
- (73) Assignee: **Restech, Inc.**, North Hampton, NH (US)
- (\*\*) Term: **14 Years**

(21) Appl. No.: **29/230,458**  
 (22) Filed: **May 19, 2005**

- (51) **LOC (8) Cl.** ..... **30-03**
- (52) **U.S. Cl.** ..... **D30/132**
- (58) **Field of Classification Search** ... 119/61.54–61.57, 119/72–78, 61, 51.01; D30/121, 122, 129, D30/132; 248/311.2, 154, 310, 314; 224/275, 224/926; D3/276, 269; 220/737, 738, 374, 220/571, 621, 625, 719, 731; 99/452; D12/419; 392/447; 210/282, 470–77, 455, 484, 496, 210/501, 503, 502.1, 266, 510.1, 91; 211/74, 211/75; 239/24, 28, 29, 29.5; D7/619.1, 708, D7/316–19, 400, 700, 397, 387; D23/209, D23/200; D11/164, 143; 47/69–72, 78, 79–87; D6/531, 535

See application file for complete search history.

(56) **References Cited**

**U.S. PATENT DOCUMENTS**

- 2,973,743 A \* 3/1961 Parks et al. .... 119/73
- 3,076,435 A 2/1963 Seymour
- 3,152,576 A 10/1964 Faurot
- 3,704,545 A \* 12/1972 Van Reisen ..... 47/69
- 3,759,228 A 9/1973 Keen
- 3,831,558 A \* 8/1974 Forbes ..... 119/73
- 4,306,971 A \* 12/1981 Hankammer ..... 210/282
- 4,436,056 A 3/1984 MacLeod
- D279,175 S \* 6/1985 Eklof ..... D11/164
- 4,527,696 A \* 7/1985 Harris et al. .... 224/400
- 4,557,070 A \* 12/1985 Oyama ..... 47/80
- 4,576,301 A \* 3/1986 Tedder ..... 220/571
- D287,772 S 1/1987 Stewart

- 5,052,582 A \* 10/1991 Hall ..... 220/571
- 5,133,293 A 7/1992 Boozer
- 5,135,195 A \* 8/1992 Dane ..... 248/311.2
- 5,207,182 A \* 5/1993 Lorenzana ..... 119/77
- 5,226,558 A \* 7/1993 Whitney et al. .... 220/571
- 5,277,318 A \* 1/1994 Smalley et al. .... 209/255
- 5,279,504 A 1/1994 Williams
- 5,366,103 A 11/1994 Abernathy et al.
- D354,795 S \* 1/1995 Heligman ..... D23/209
- 5,395,509 A \* 3/1995 Guerra Cisneros et al. ... 210/91
- D360,929 S \* 8/1995 Albertson ..... D23/209
- D363,760 S \* 10/1995 Morem et al. .... D23/209
- 5,461,825 A \* 10/1995 Daimon et al. .... 47/71
- 5,465,891 A \* 11/1995 Bridges ..... 224/566
- D370,051 S \* 5/1996 Samson et al. .... D23/209
- D370,392 S \* 6/1996 Flanagan ..... D7/619.1
- 5,524,823 A \* 6/1996 Miller ..... 239/29
- 5,637,214 A \* 6/1997 Kahana ..... 210/282
- 5,669,538 A \* 9/1997 Ward ..... 224/539
- 5,676,340 A \* 10/1997 Ruhnau ..... 248/311.2
- 5,791,287 A 8/1998 Gruber

(Continued)

*Primary Examiner*—M. H. Tung  
*Assistant Examiner*—Susan Moon Lee  
 (74) *Attorney, Agent, or Firm*—Jon A. Gibbons; Fleit, Kain, Gibbons, Gutman, Bongini & Bianco P.L.

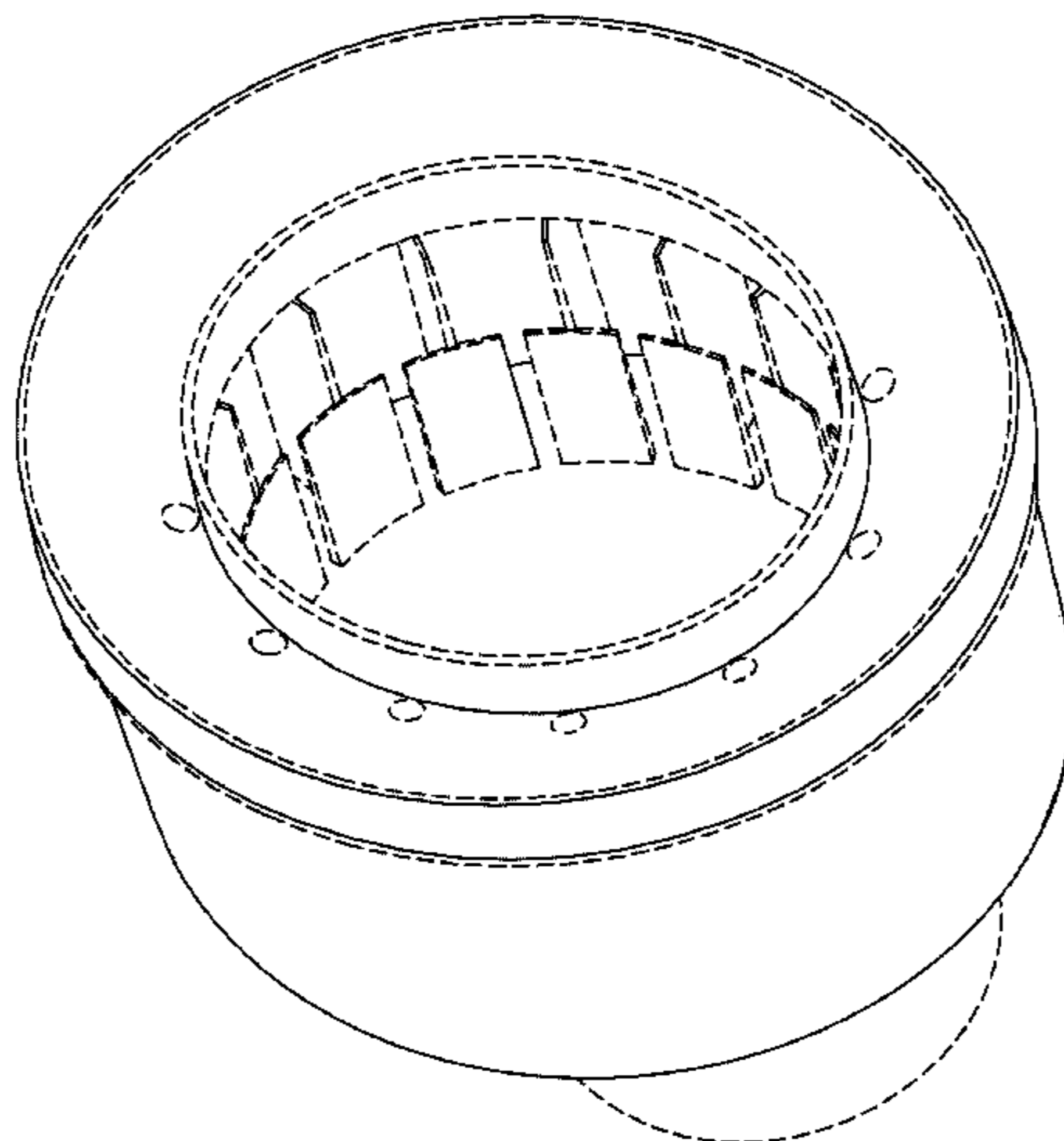
(57) **CLAIM**

The ornamental design for an oval pet dish, as shown and described.

**DESCRIPTION**

FIG. 1 is a top perspective view of an oval pet dish, illustrating my new design;  
 FIG. 2 is a top plan view thereof;  
 FIG. 3 is a bottom plan view thereof;  
 FIG. 4 is a front elevational view thereof; and,  
 FIG. 5 is a side elevational view thereof.  
 Portions of the design shown in broken lines in the drawings are for illustrative purposes only, and form no part of the claimed design.

**1 Claim, 3 Drawing Sheets**



# US D538,981 S

Page 2

---

## U.S. PATENT DOCUMENTS

D397,915	S	*	9/1998	McNaughton	.....	D7/619.1	
D400,823	S	*	11/1998	Bagshaw	.....	D11/152	
5,855,184	A	*	1/1999	Eichler et al.	.....	119/51.5	
5,873,486	A	*	2/1999	Morgan	.....	220/739	
5,881,670	A		3/1999	Pelsor			
5,897,041	A	*	4/1999	Ney et al.	.....	224/483	
5,960,740	A		10/1999	Pelsor			
6,032,824	A		3/2000	Barrow			
6,070,359	A	*	6/2000	Liu	.....	47/79	
6,142,101	A		11/2000	Pelsor			
D448,974	S	*	10/2001	Hydak et al.	.....	D7/397	
6,325,930	B2	*	12/2001	Farley	.....	210/282	
6,345,470	B1	*	2/2002	Slaght et al.	.....	47/79	
6,381,902	B1	*	5/2002	Batshon	.....	47/86	
6,443,314	B2	*	9/2002	Shiraiwa et al.	.....	210/474	
6,543,637	B1	*	4/2003	Osborn	.....	220/737	
6,638,426	B1	*	10/2003	Fritter et al.	.....	210/266	
6,679,196	B1	*	1/2004	Whittles et al.	.....	119/51.01	
6,705,471	B2	*	3/2004	Kataoka	.....	210/474	
7,090,183	B2	*	8/2006	Heybl et al.	.....	248/314	
2003/0010708	A1	*	1/2003	Leocavallo et al.	.....	210/477	
2003/0116094	A1	*	6/2003	Dlin	.....	119/61	
2003/0197104	A1	*	10/2003	Heybl et al.	.....	248/311.2	
2004/0068931	A1	*	4/2004	Lai	.....	47/80	
2004/0222345	A1	*	11/2004	Lindsay	.....	248/311.2	

\* cited by examiner

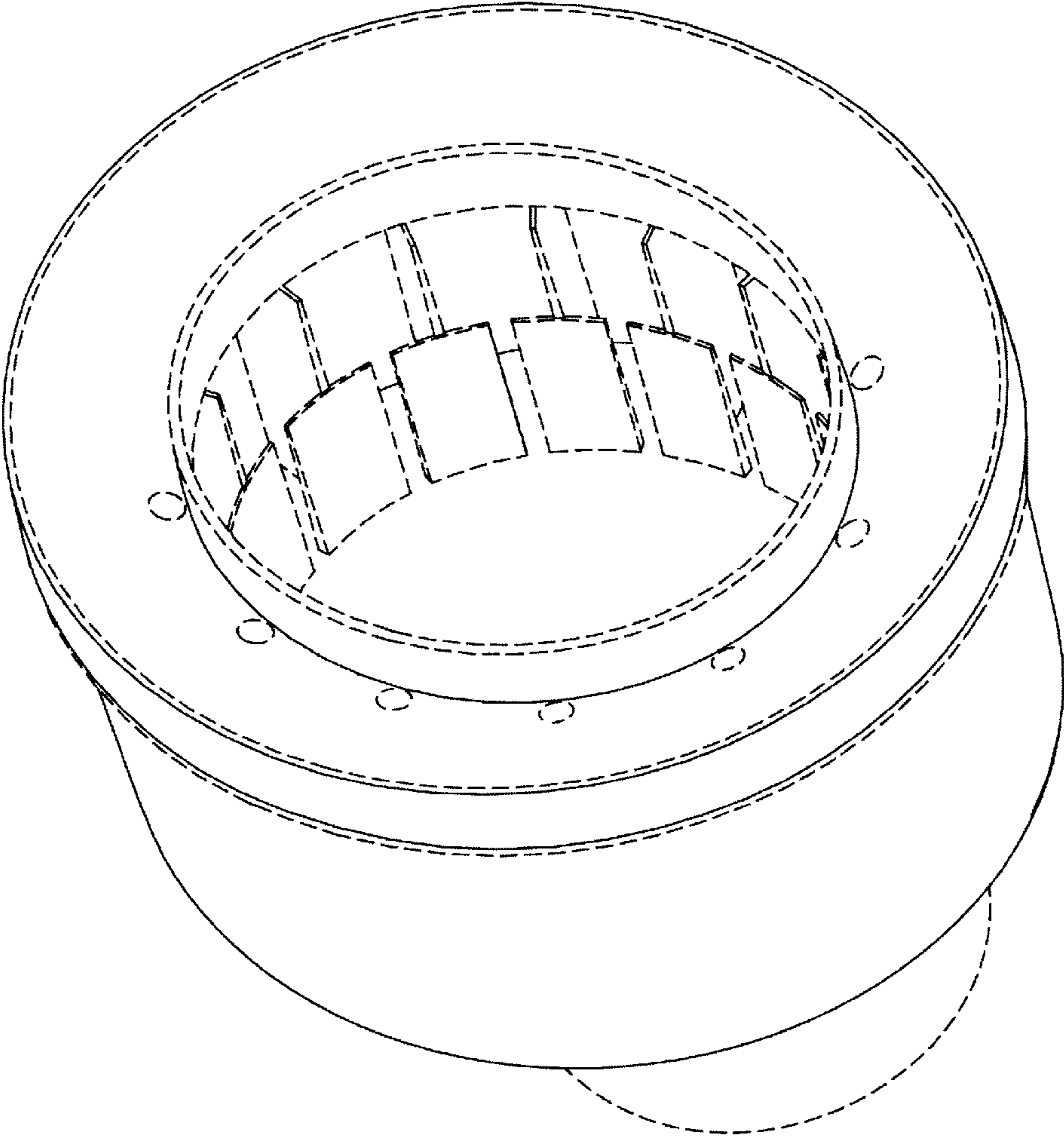
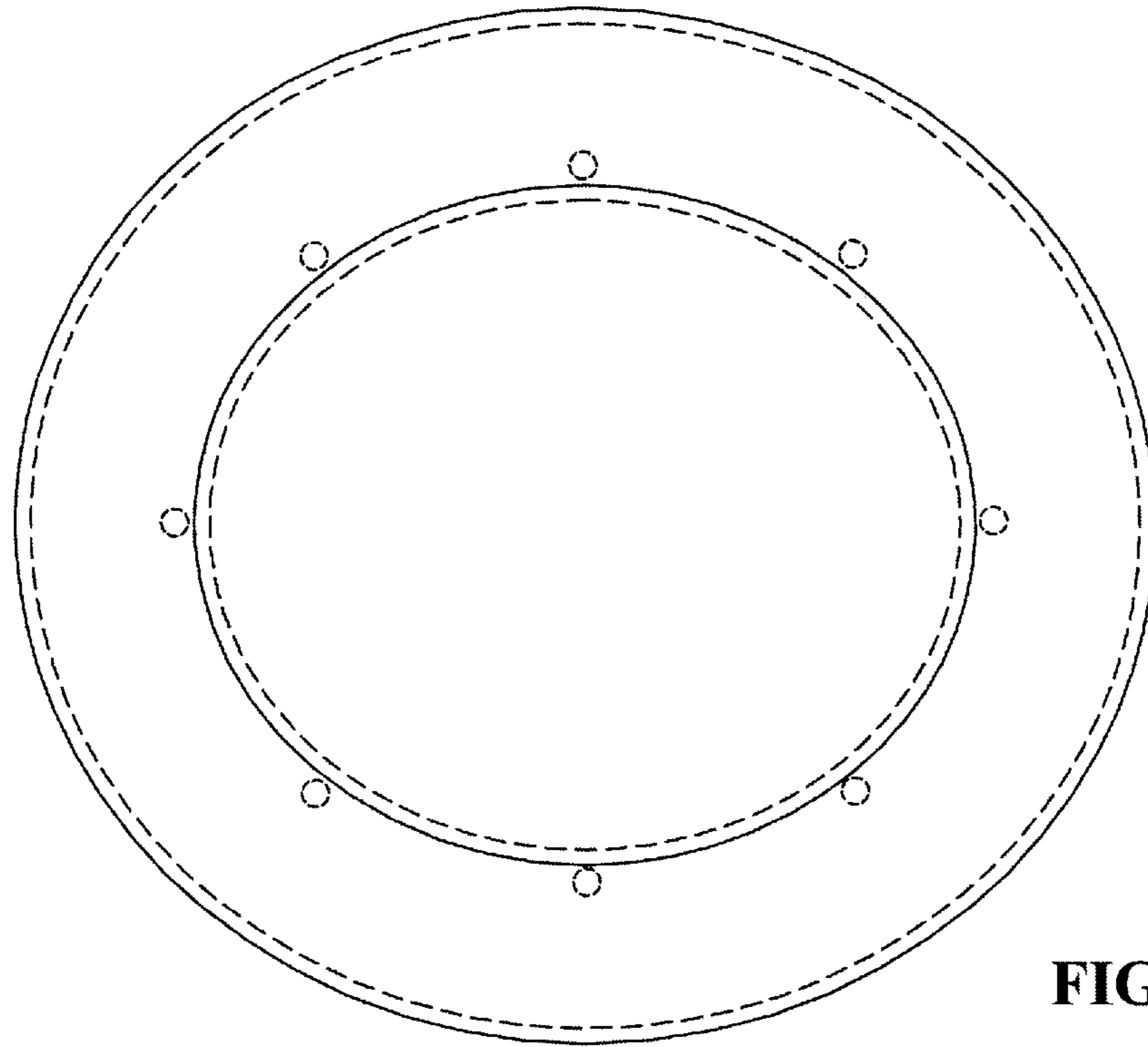
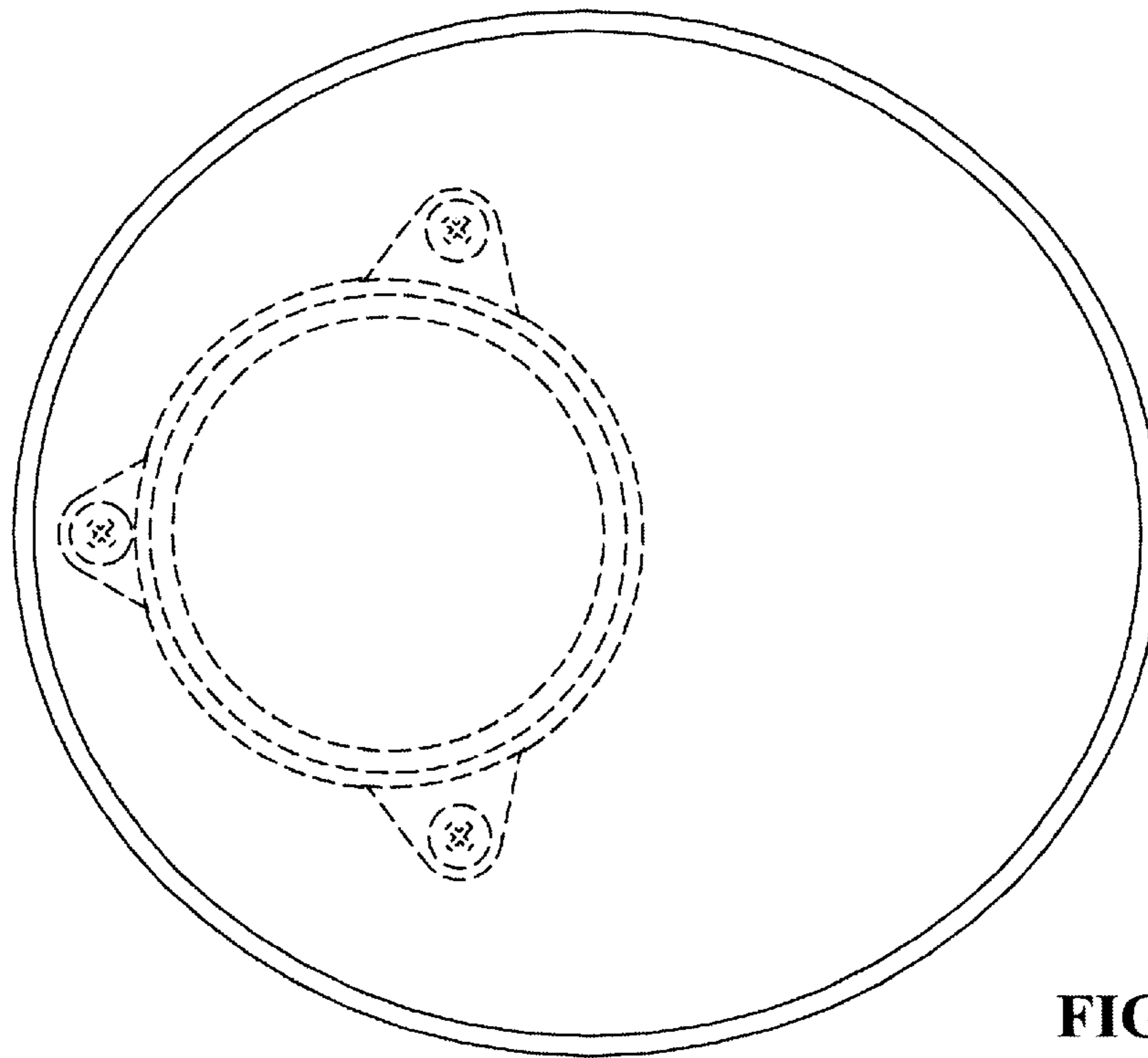


FIG. 1



**FIG. 2**



**FIG. 3**

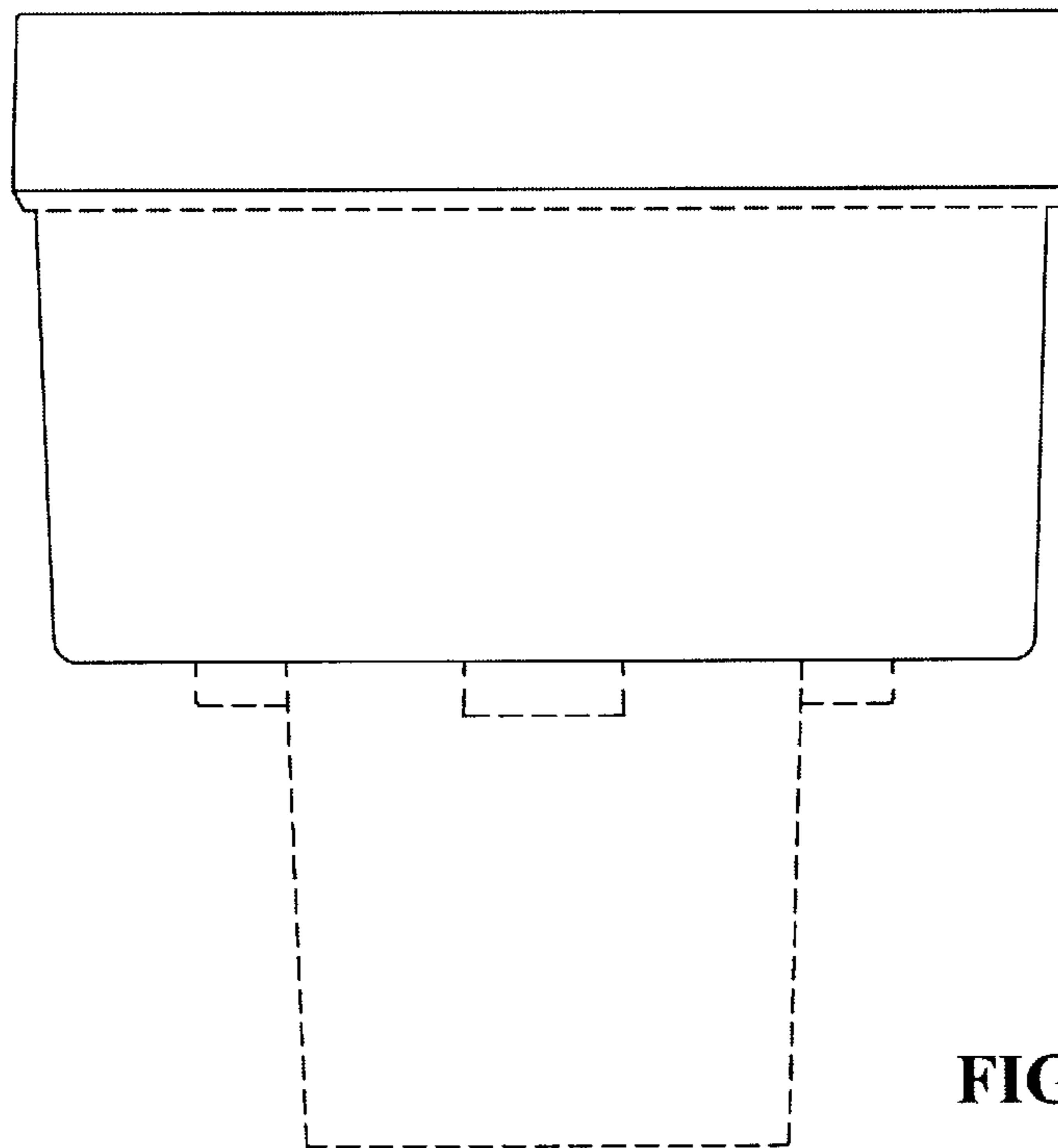


FIG. 4

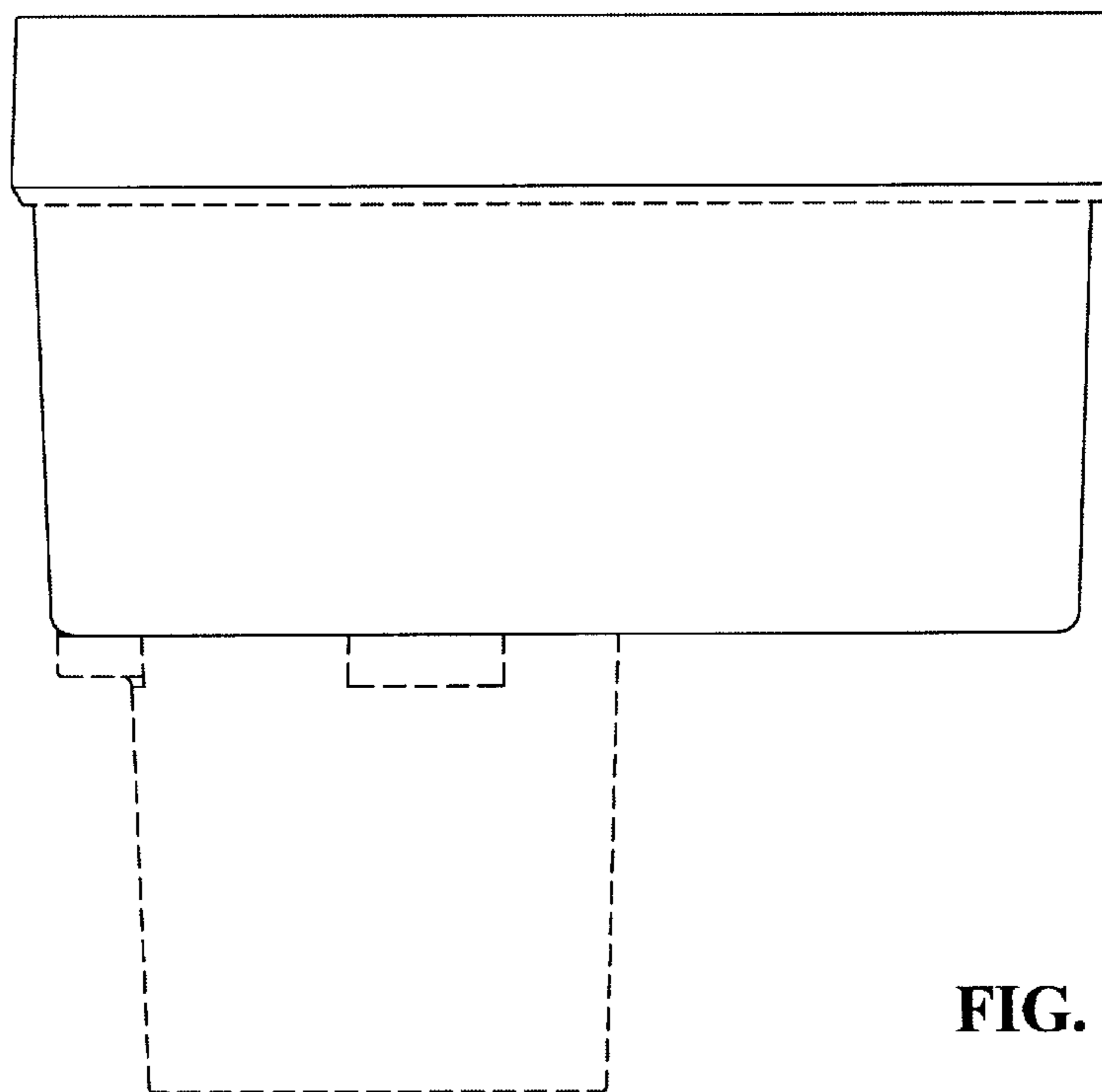


FIG. 5