



US00D538977S

(12) **United States Design Patent**
Shin

(10) **Patent No.:** **US D538,977 S**

(45) **Date of Patent:** **** Mar. 20, 2007**

(54) **HAIR CURLING TONGS**

(76) Inventor: **Kil Seung Shin**, 57-6, Songneung-li,
Jingeon-eup, Namyangju-si,
Gyeonggi-do (KR)

(**) Term: **14 Years**

(21) Appl. No.: **29/262,447**

(22) Filed: **Jun. 30, 2006**

(30) **Foreign Application Priority Data**

Jan. 4, 2006 (KR) 30-2006-0000246

(51) **LOC (8) Cl.** **28-03**

(52) **U.S. Cl.** **D28/35**

(58) **Field of Classification Search** 132/222-225,
132/227-229, 232, 245, 236, 269, 271; D28/35;
219/222, 225, 226

See application file for complete search history.

(56) **References Cited**

U.S. PATENT DOCUMENTS

D485,011 S * 1/2004 Nam D28/35

D511,023 S * 10/2005 Cho D28/35
2005/0081876 A1 * 4/2005 Choi 132/224
2005/0252519 A1 * 11/2005 Kayser 132/224
2006/0037625 A1 * 2/2006 Kayser et al. 132/224

* cited by examiner

Primary Examiner—Jennifer Rivard
(74) *Attorney, Agent, or Firm*—Harness, Dickey & Pierce,
P.L.C.

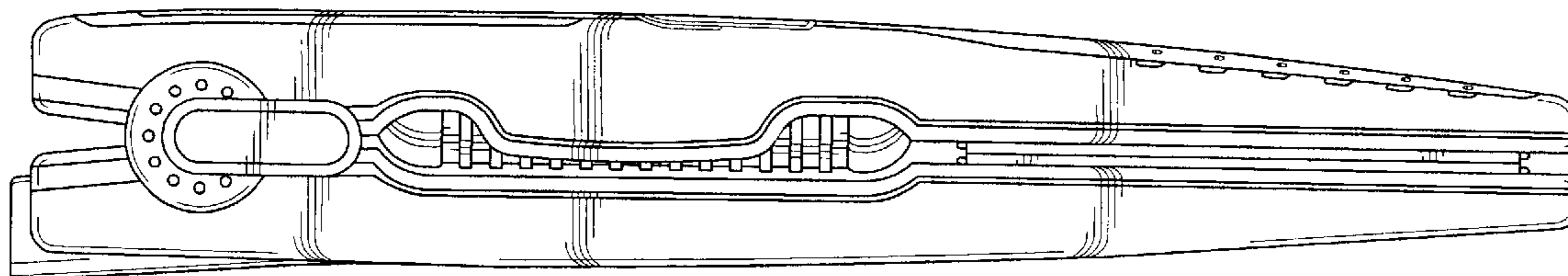
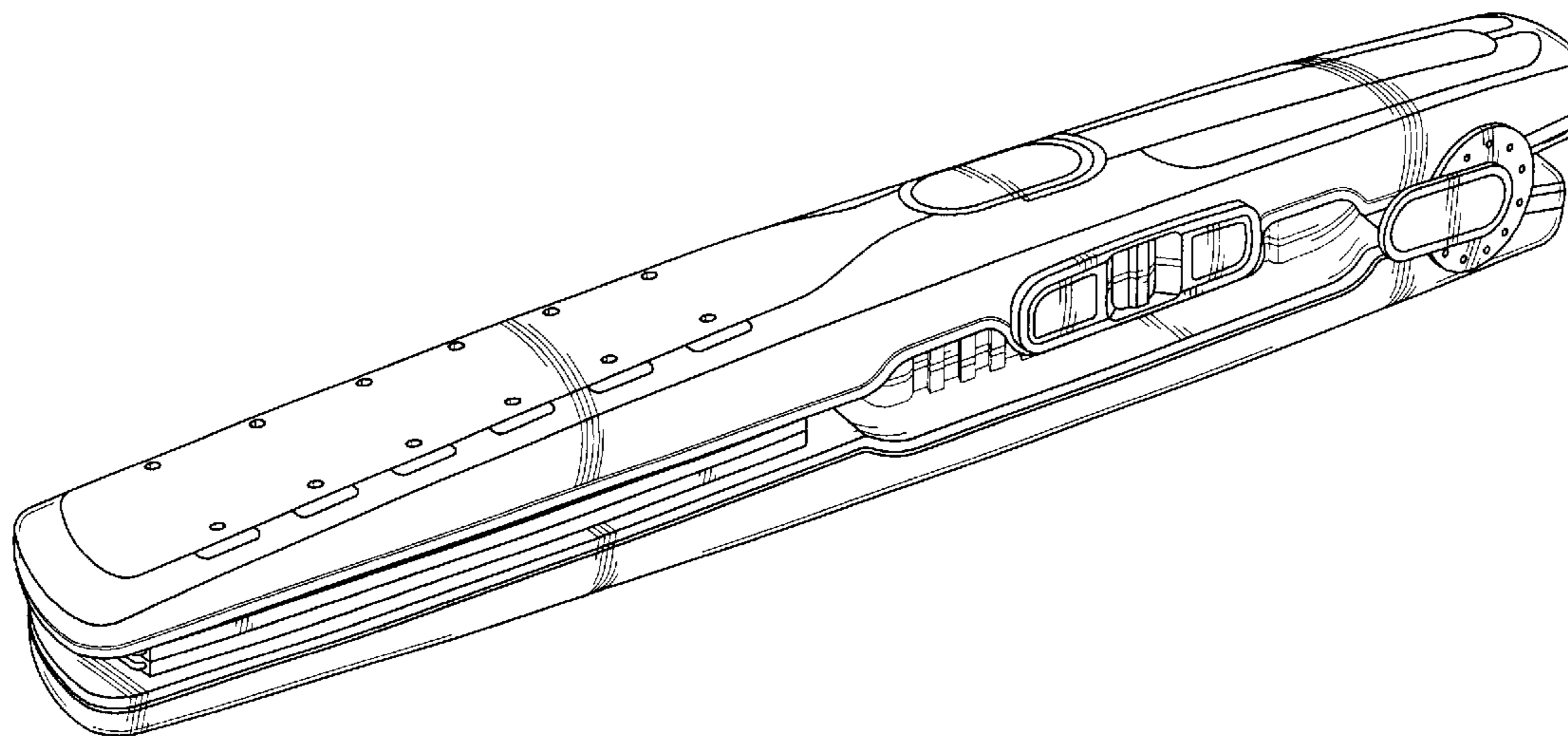
(57) **CLAIM**

The ornamental design for hair curling tongs, as shown and described.

DESCRIPTION

FIG. 1 is a front perspective view of hair curling tongs embodying my new design;
FIG. 2 is a front view thereof;
FIG. 3 is a rear view thereof;
FIG. 4 is a left side view thereof;
FIG. 5 is a right side view thereof;
FIG. 6 is a top view thereof; and,
FIG. 7 is a bottom view thereof.

1 Claim, 3 Drawing Sheets



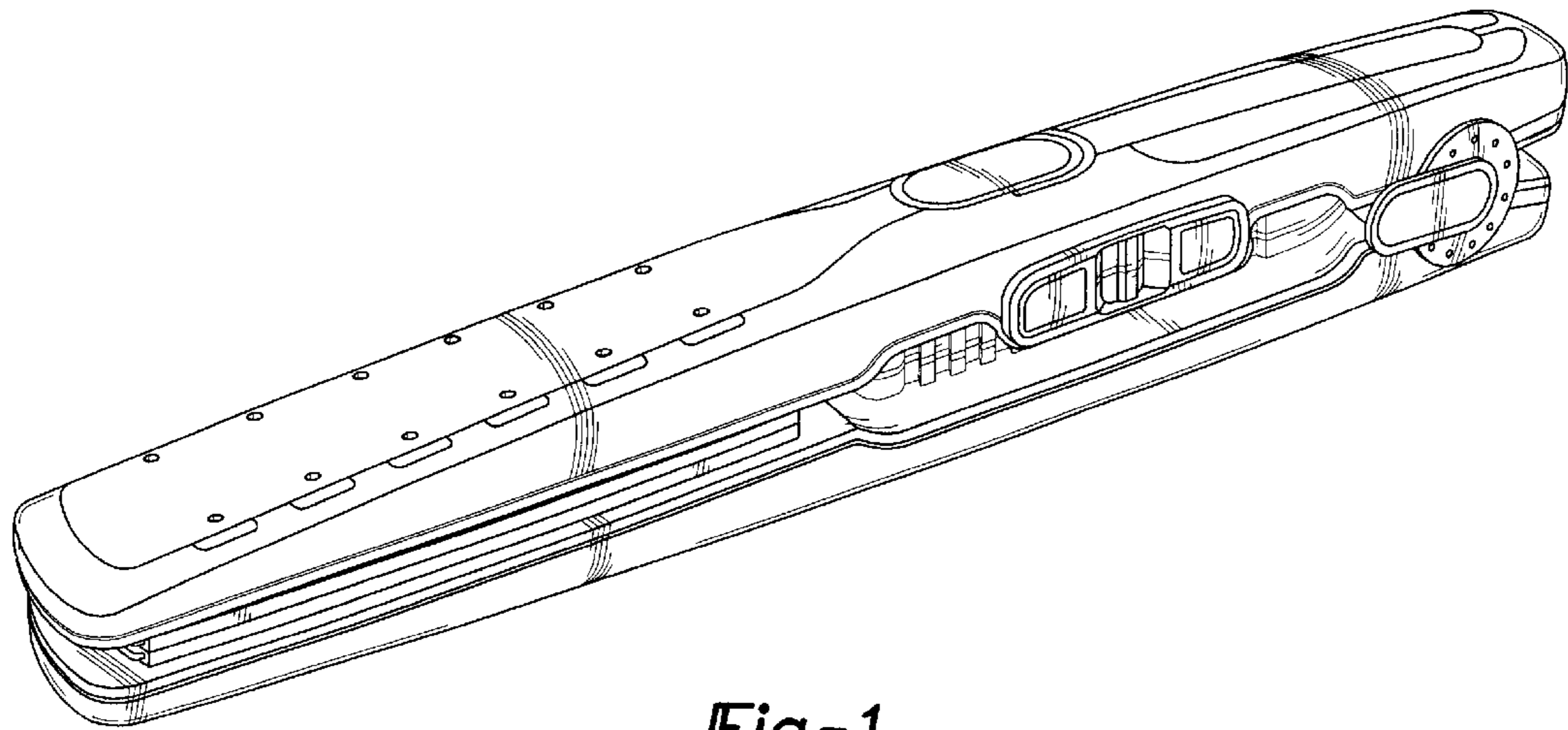


Fig-1

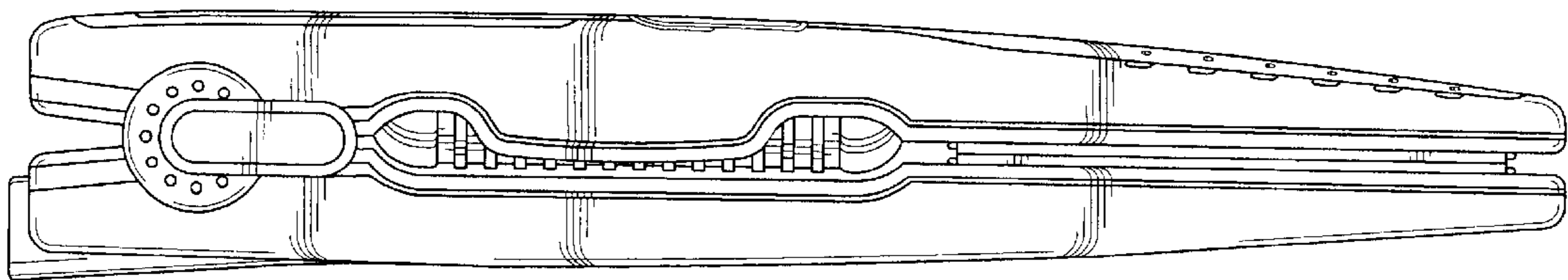


Fig-2

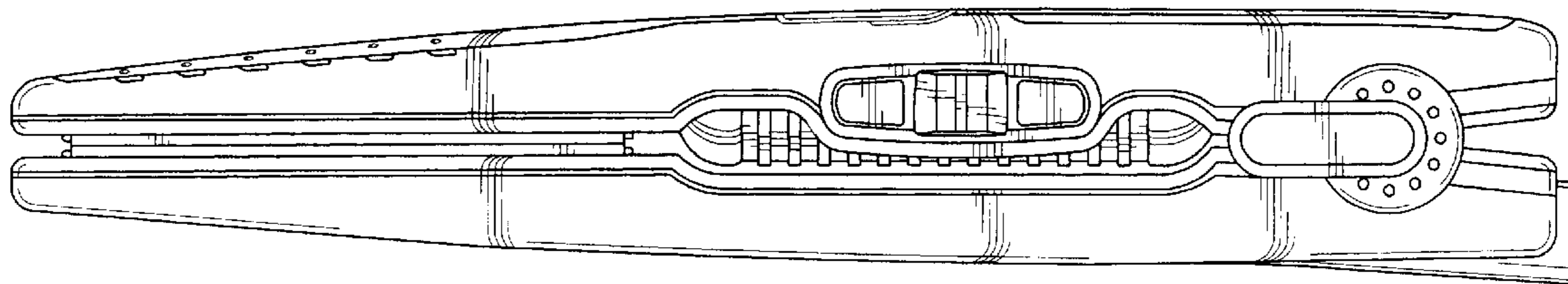


Fig-3

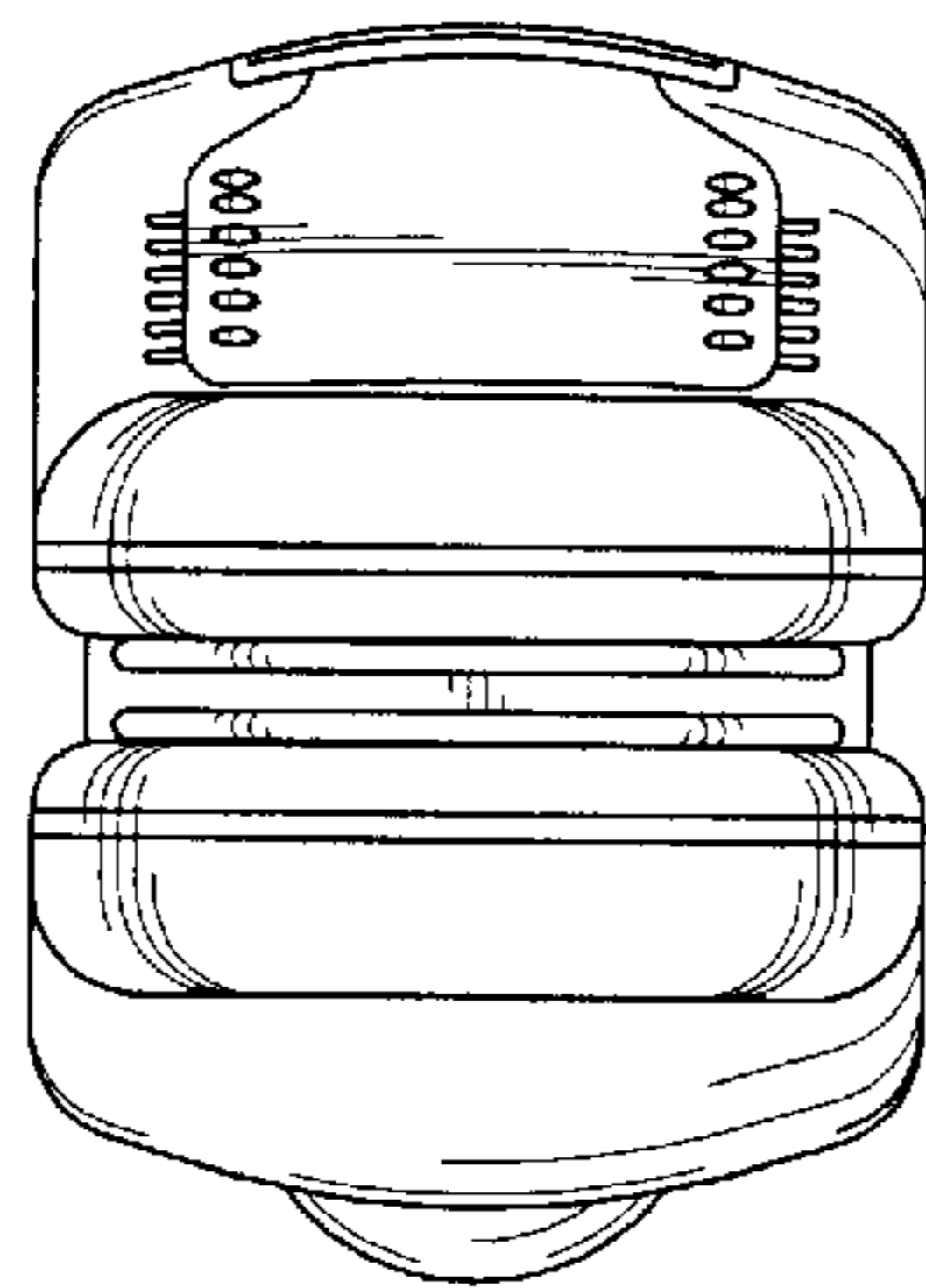


Fig-4

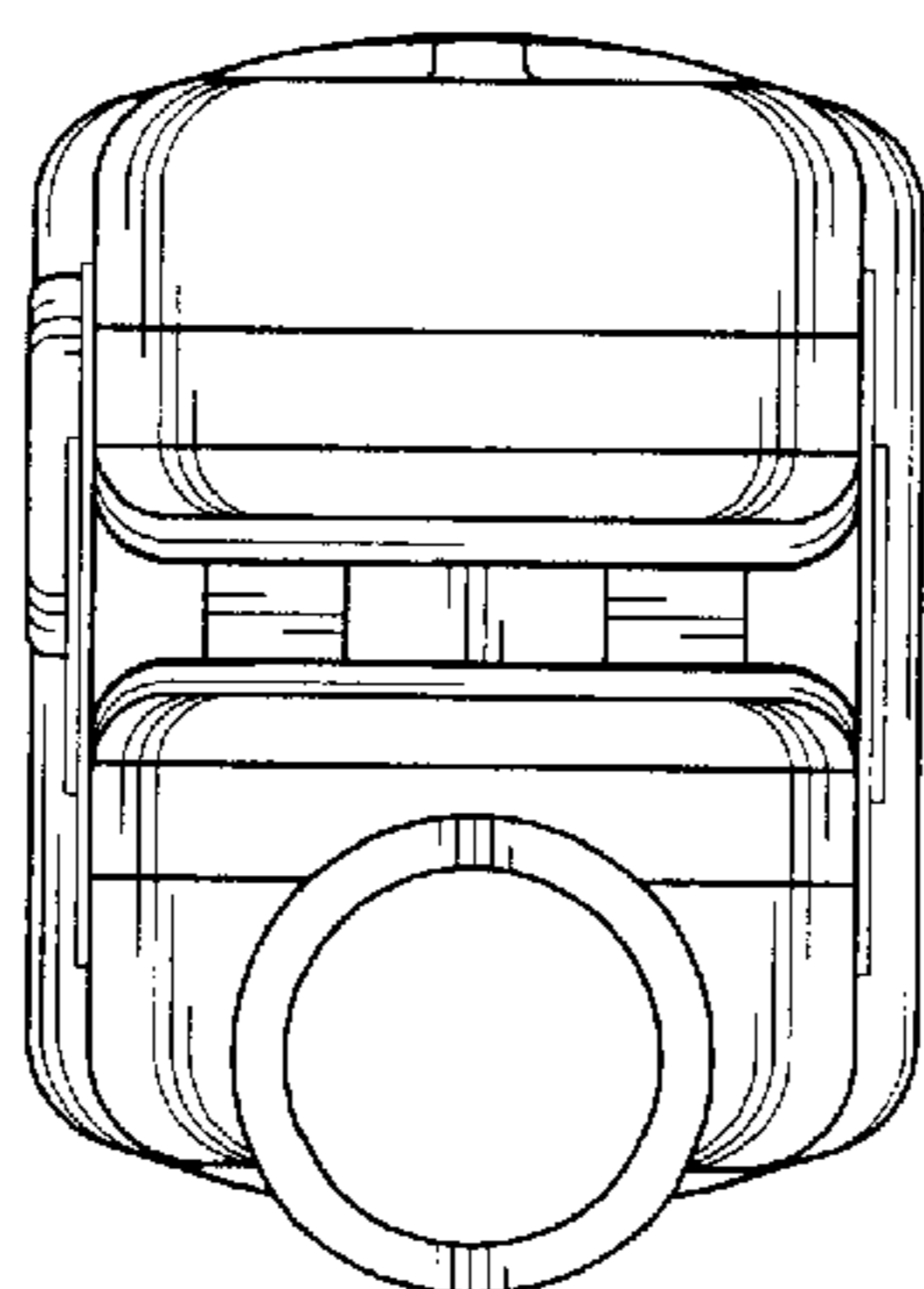


Fig-5

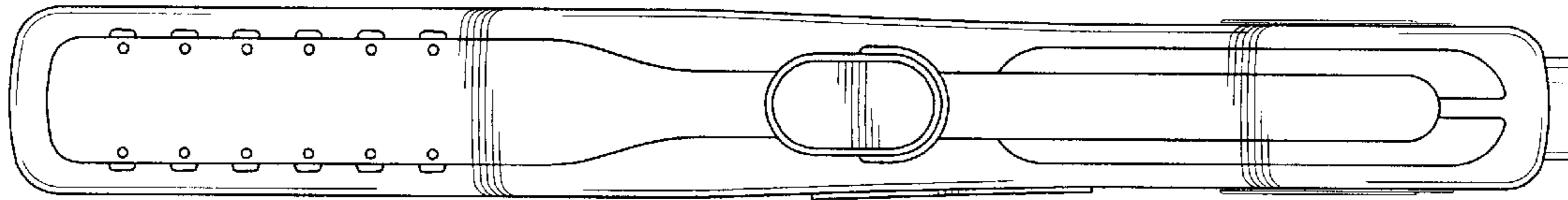


Fig-6

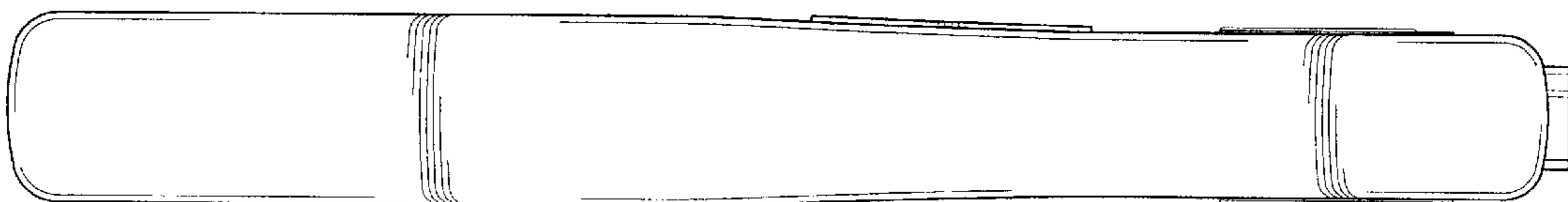


Fig-7