



US00D538970S

(12) **United States Design Patent**  
**Fisher et al.**

(10) **Patent No.:** **US D538,970 S**

(45) **Date of Patent:** **\*\* Mar. 20, 2007**

(54) **LIGHTER**

(75) Inventors: **Gary Alan Fisher**, Hong Kong (HK);  
**Chong Yiu Hui**, Hong Kong (HK)

(73) Assignee: **OneWorld Enterprises Limited**, Hong Kong (HK)

(\*\*) Term: **14 Years**

(21) Appl. No.: **29/262,109**

(22) Filed: **Jun. 27, 2006**

(30) **Foreign Application Priority Data**

Dec. 28, 2005 (HK) ..... 0503150

(51) **LOC (8) Cl.** ..... **27-05**

(52) **U.S. Cl.** ..... **D27/148**

(58) **Field of Classification Search** ..... D27/141,  
D27/148, 154-160; D12/122-124; 431/129,  
431/143, 153, 253-256, 273-277

See application file for complete search history.

(56) **References Cited**

U.S. PATENT DOCUMENTS

D394,028 S \* 5/1998 Nakamura ..... D12/124

\* cited by examiner

*Primary Examiner*—Jennifer Rivard

(74) *Attorney, Agent, or Firm*—Buchanan Ingersoll & Rooney PC

(57) **CLAIM**

The ornamental design for a lighter, as shown and described.

**DESCRIPTION**

FIG. 1 is a front view of a “lighter” incorporating our design;

FIG. 2 is a rear view thereof;

FIG. 3 is a left side view thereof;

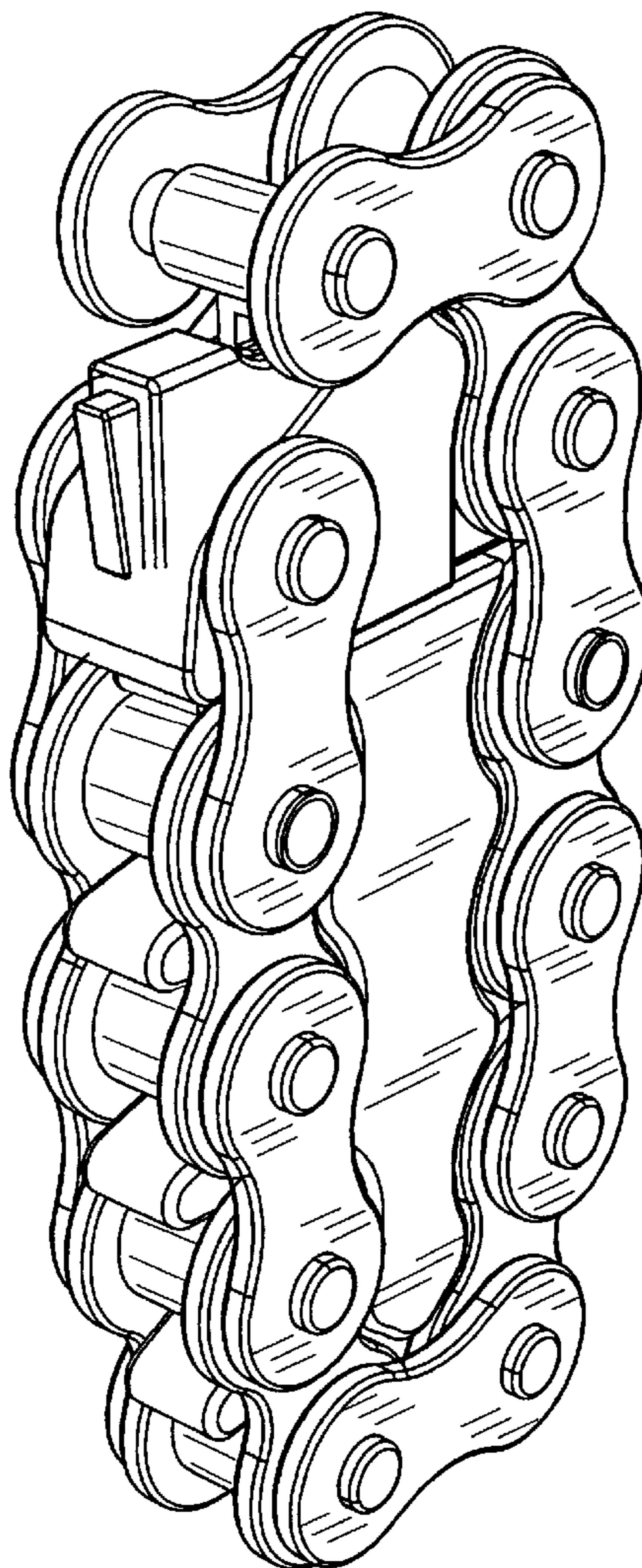
FIG. 4 is a right side view thereof;

FIG. 5 is a top view thereof;

FIG. 6 is a bottom view thereof; and,

FIG. 7 is a top perspective view thereof.

**1 Claim, 3 Drawing Sheets**



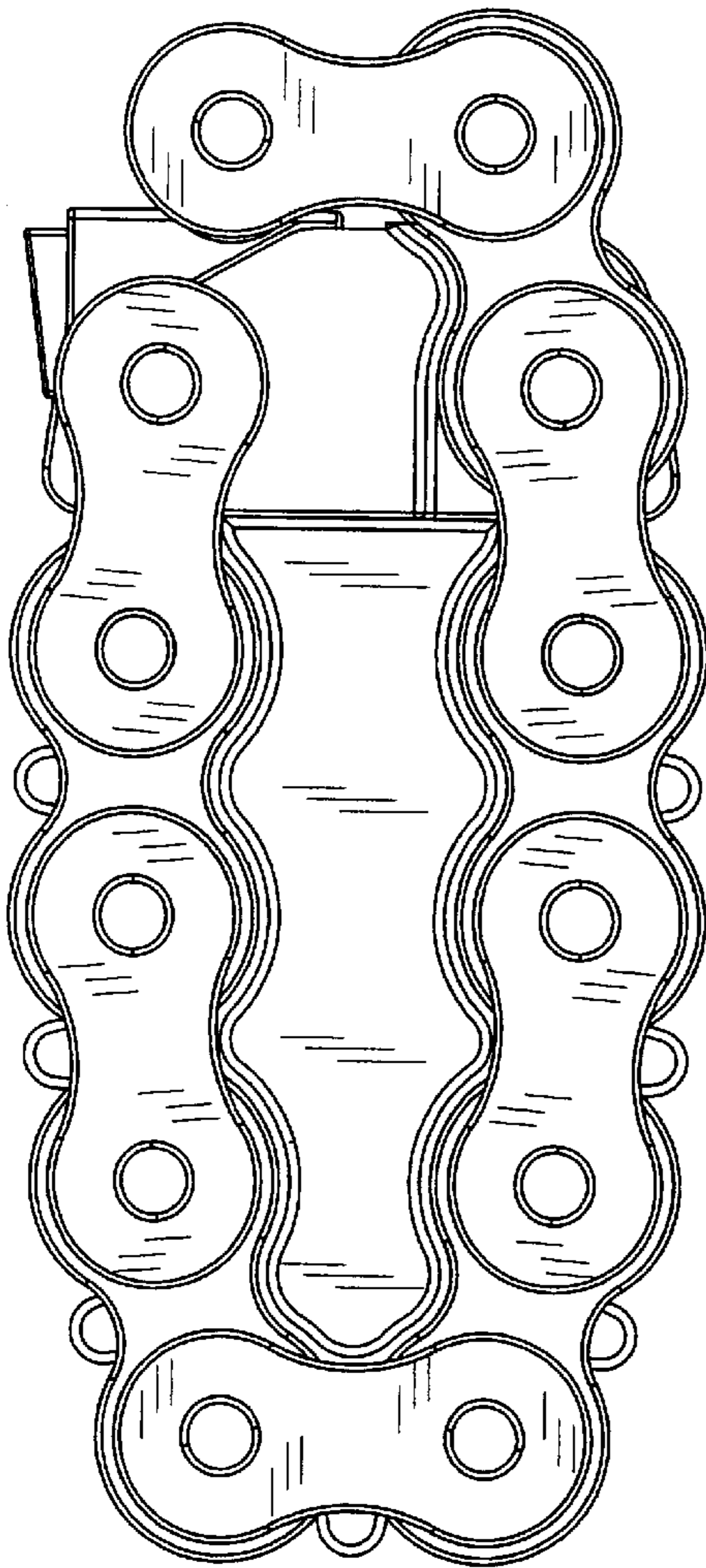


Fig. 1

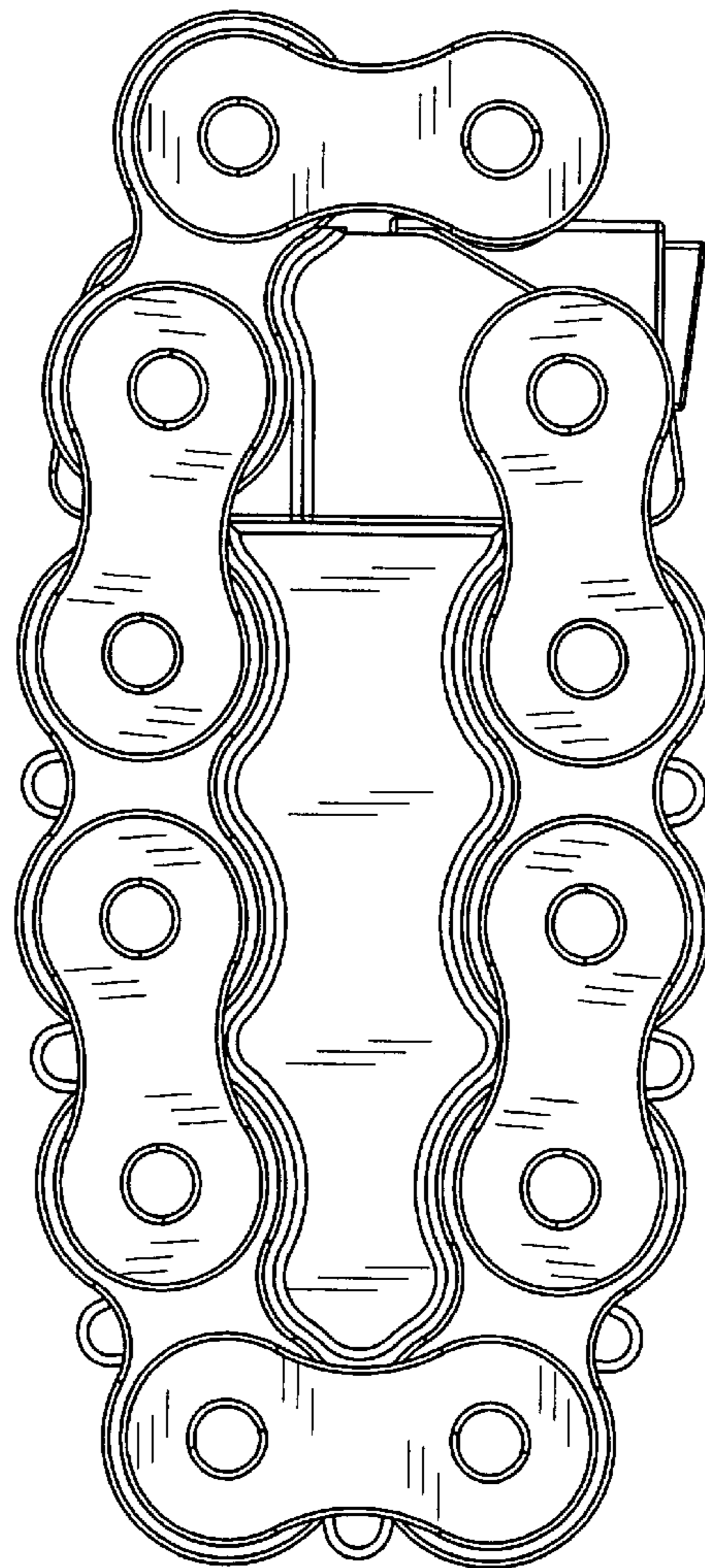


Fig. 2

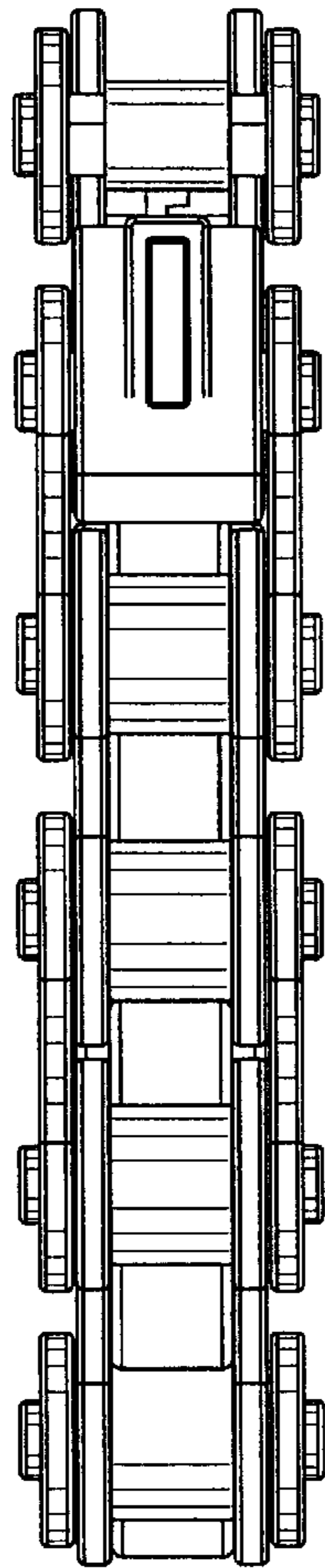


Fig. 3

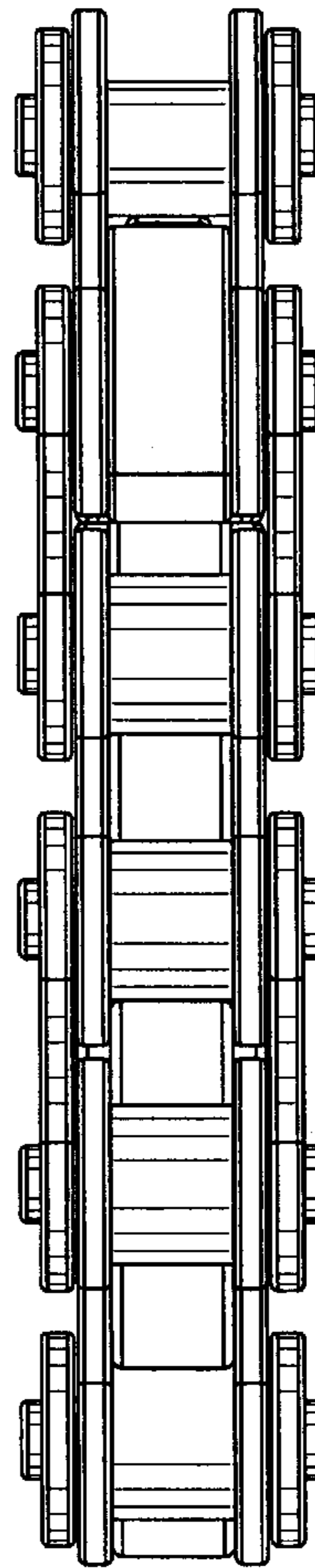


Fig. 4

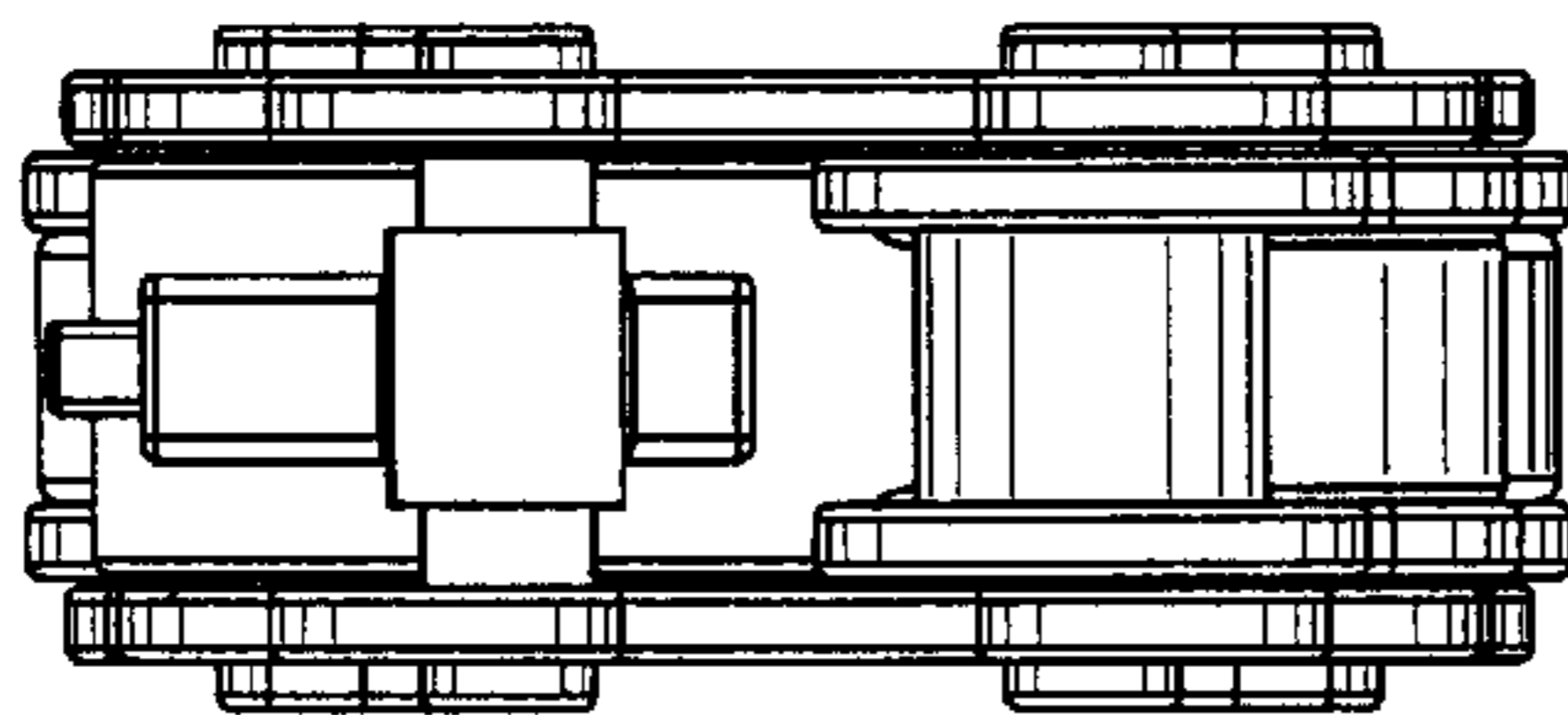


Fig. 5

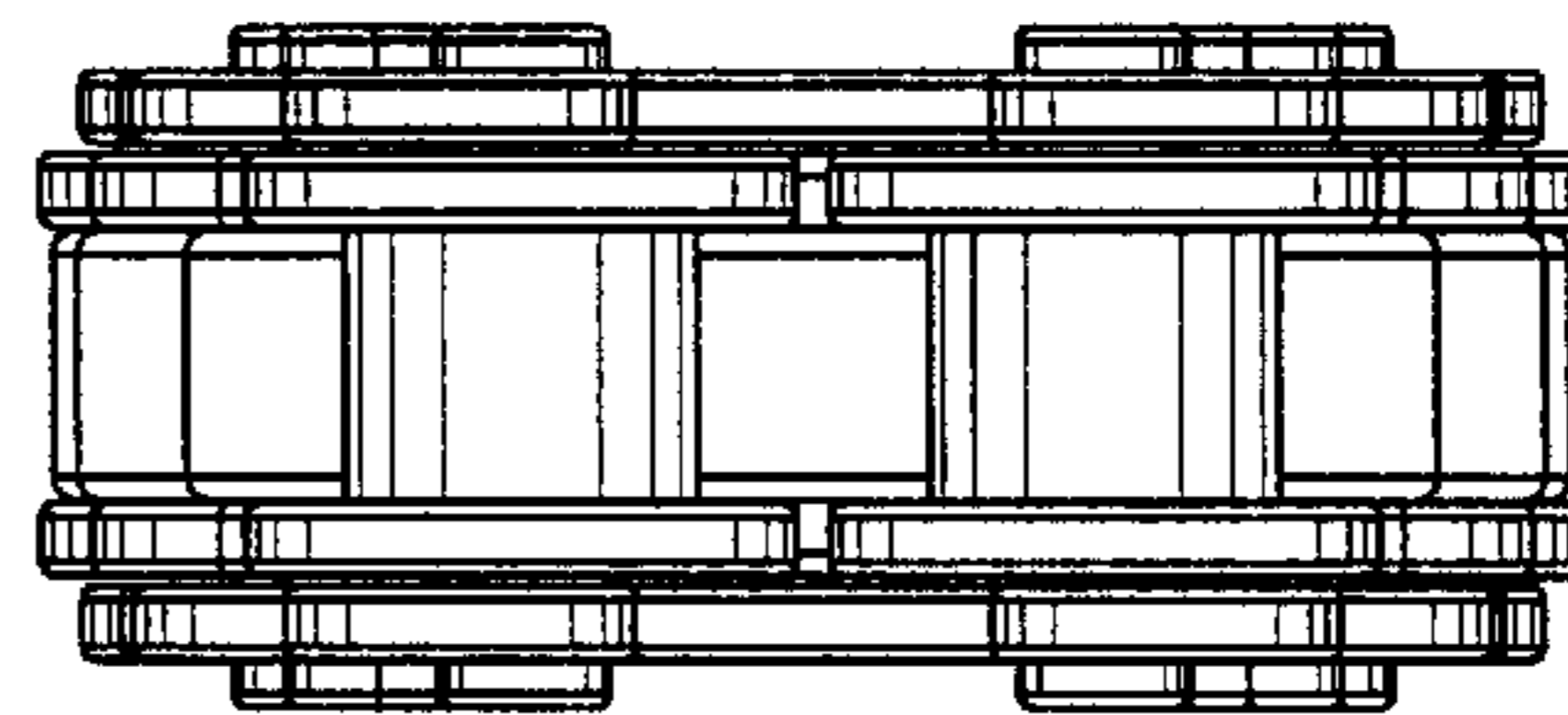


Fig. 6

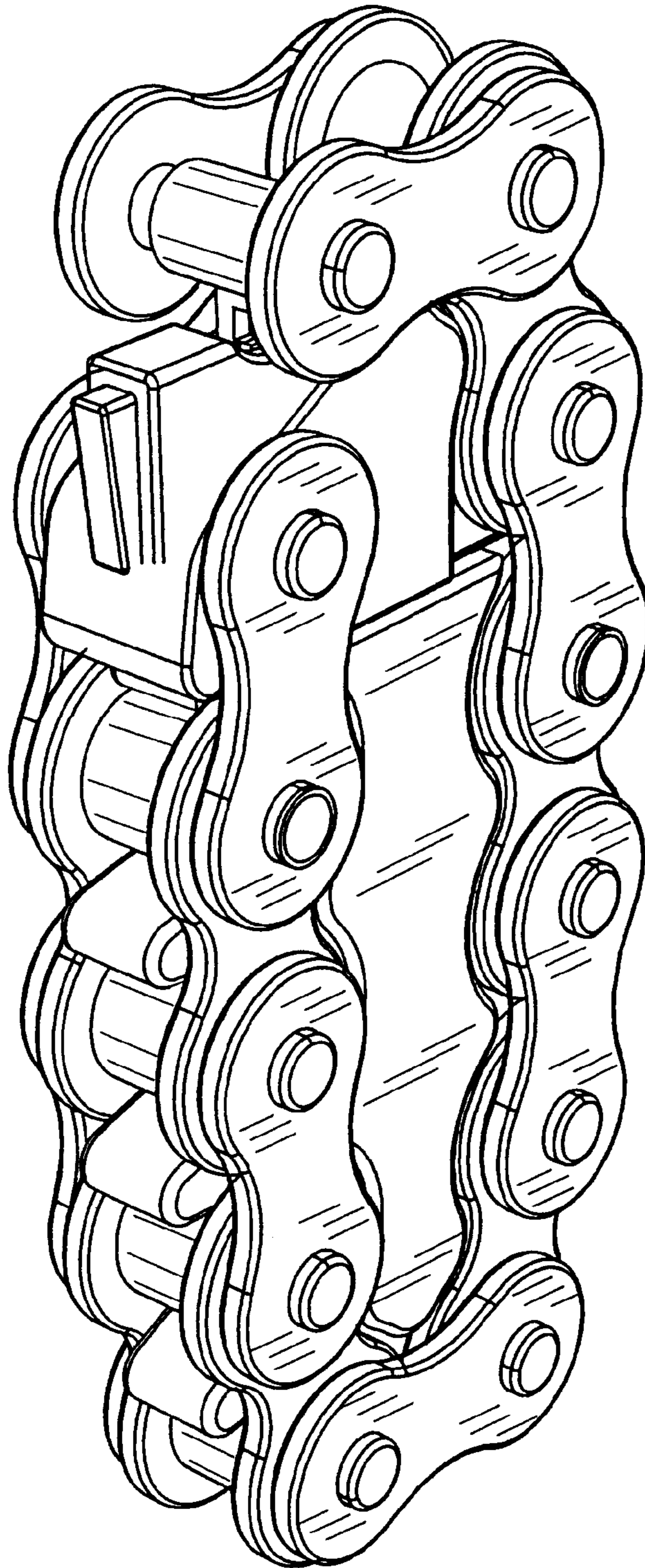


Fig. 7