



US00D538969S

(12) **United States Design Patent**
Carlton

(10) **Patent No.:** **US D538,969 S**

(45) **Date of Patent:** **** Mar. 20, 2007**

(54) **CIGARETTE LIGHTER**

D445,952 S * 7/2001 Orlando D27/148
D499,838 S * 12/2004 Carlton D27/148

(76) Inventor: **Douglas C. Carlton**, 1115
Heatherwoods Rd., Flint, MI (US)
48532

(**) Term: **14 Years**

(21) Appl. No.: **29/222,568**

(22) Filed: **Feb. 1, 2005**

OTHER PUBLICATIONS

Item B. Gasoline counter refill can, The legend of the lighter,
Dec. 1995.*

* cited by examiner

Primary Examiner—Jennifer Rivard
(74) *Attorney, Agent, or Firm*—The Weintraub Group,
P.L.C.

Related U.S. Application Data

(63) Continuation-in-part of application No. 29/170,282, filed on
Nov. 4, 2002, now Pat. No. Des. 503,610, and a continua-
tion-in-part of application No. 10/626,964, filed on Jul. 26,
2003, now Pat. No. 7,044,342.

(51) **LOC (8) Cl.** **27-05**

(52) **U.S. Cl.** **D27/148**

(58) **Field of Classification Search** D27/139,
D27/141–161; 431/129, 143, 153, 253–256,
431/273–277; D23/211.2; 222/529
See application file for complete search history.

(56) **References Cited**

U.S. PATENT DOCUMENTS

D75,287 S * 5/1928 Rice D27/148

(57) **CLAIM**

The ornamental design for a cigarette lighter, as shown and
described.

DESCRIPTION

DIG. 1 is a perspective view looking downwardly at a lighter
showing my new design;
FIG. 2 is a first side elevational view thereof;
FIG. 3 is a second elevational view as seen 90 degrees from
that of FIG. 2;
FIG. 4 is a third side elevational view as seen 180 degrees
from that of FIG. 2;
FIG. 5 is a top plan view thereof; and,
FIG. 6 is a bottom plan view thereof.

1 Claim, 2 Drawing Sheets

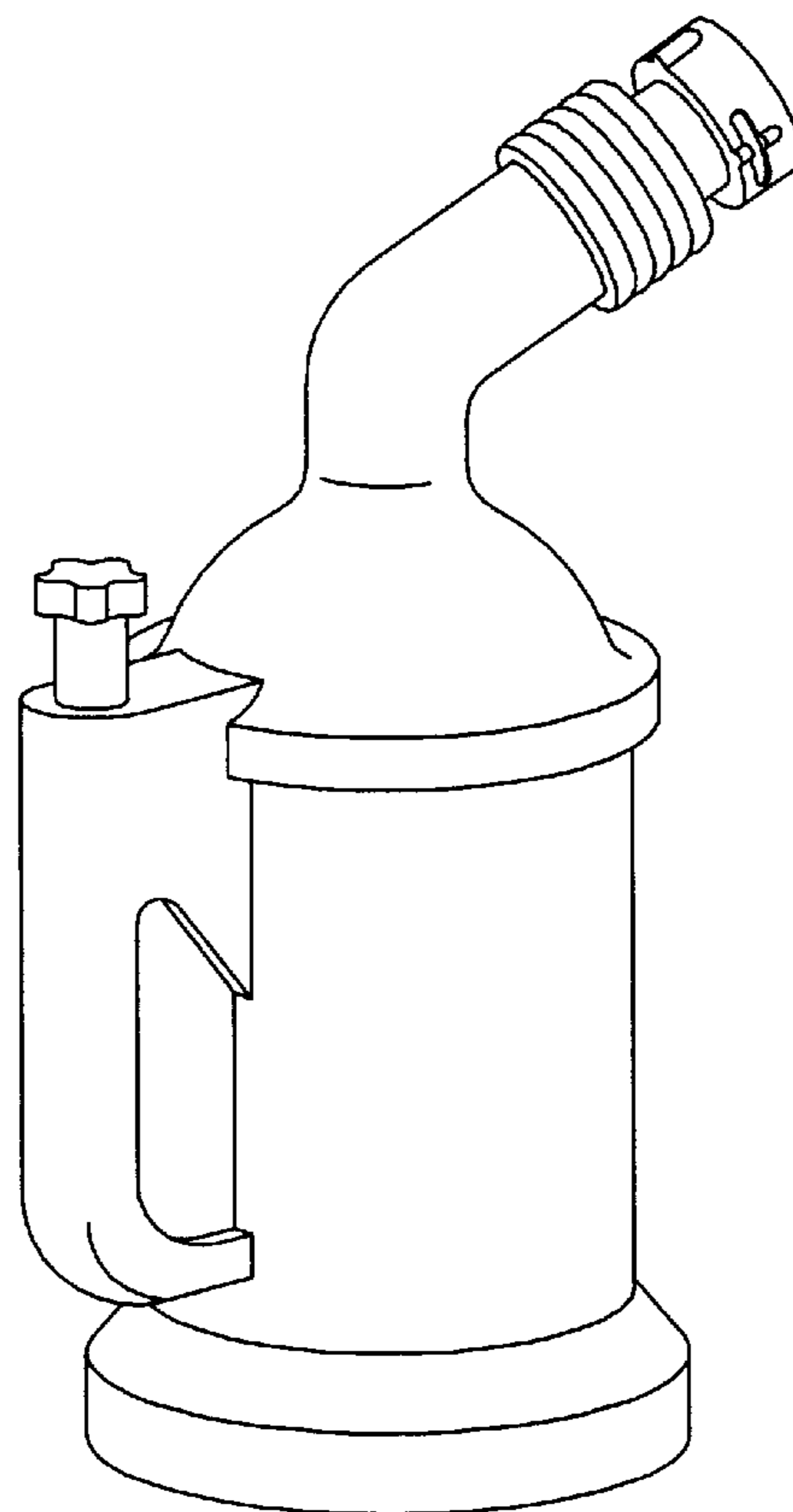


FIG 1

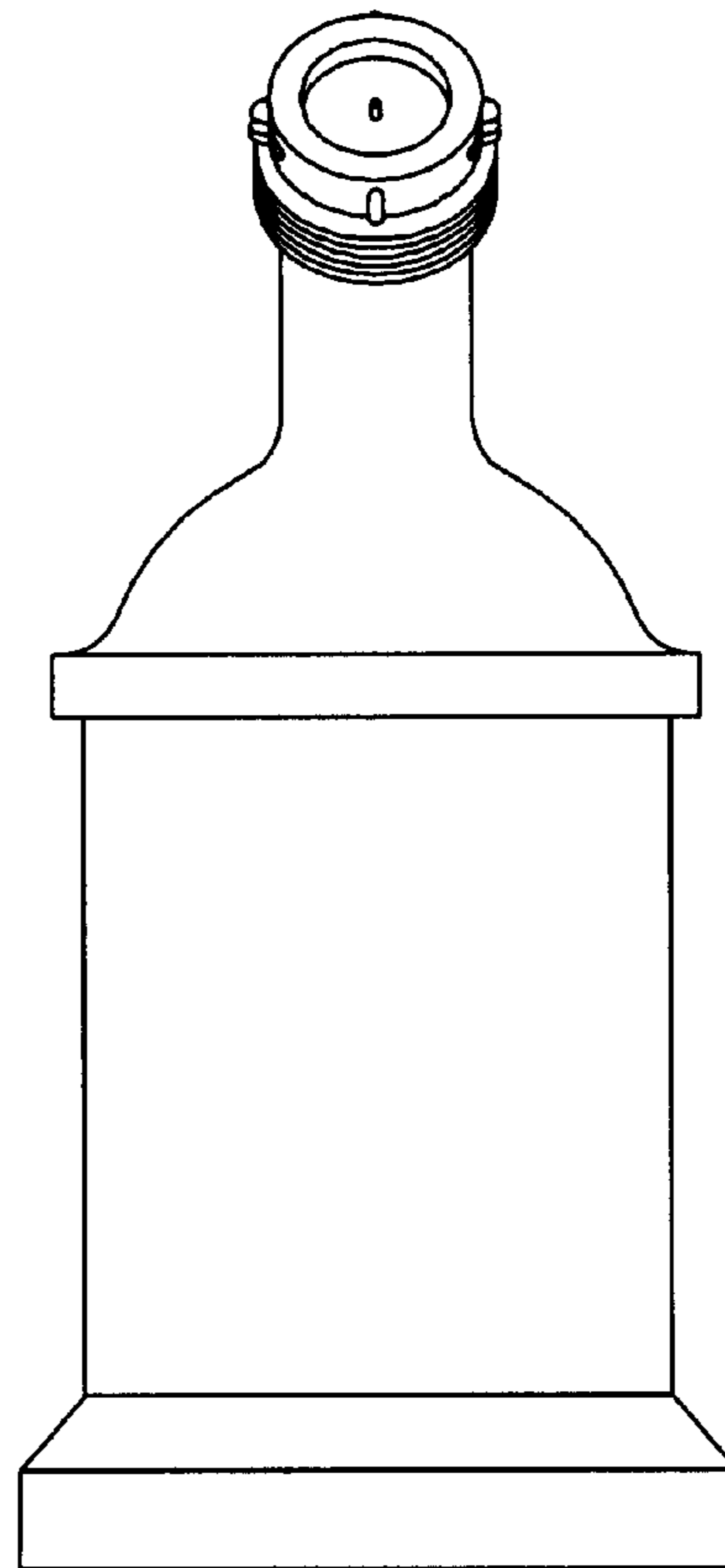
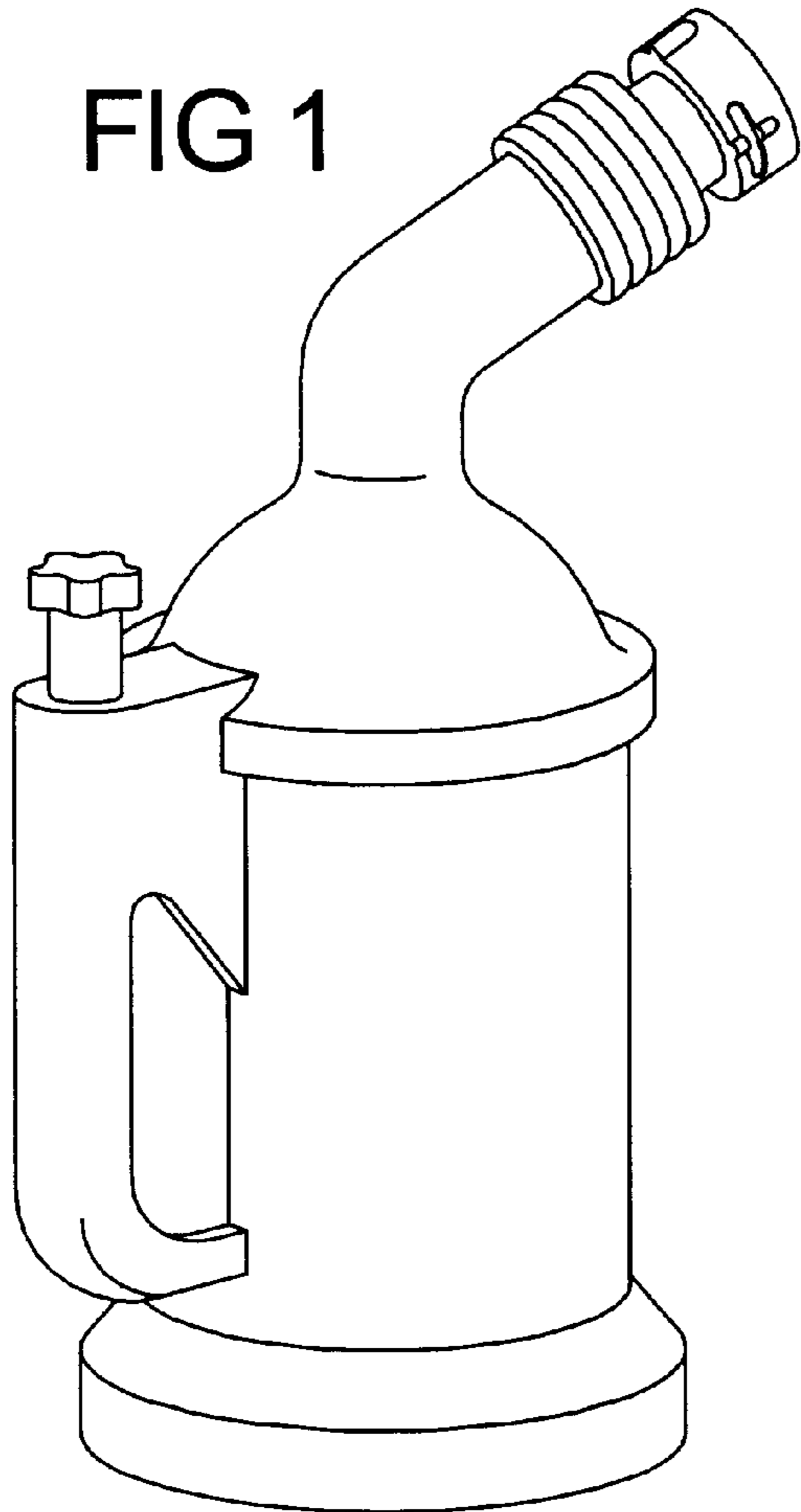


FIG 2

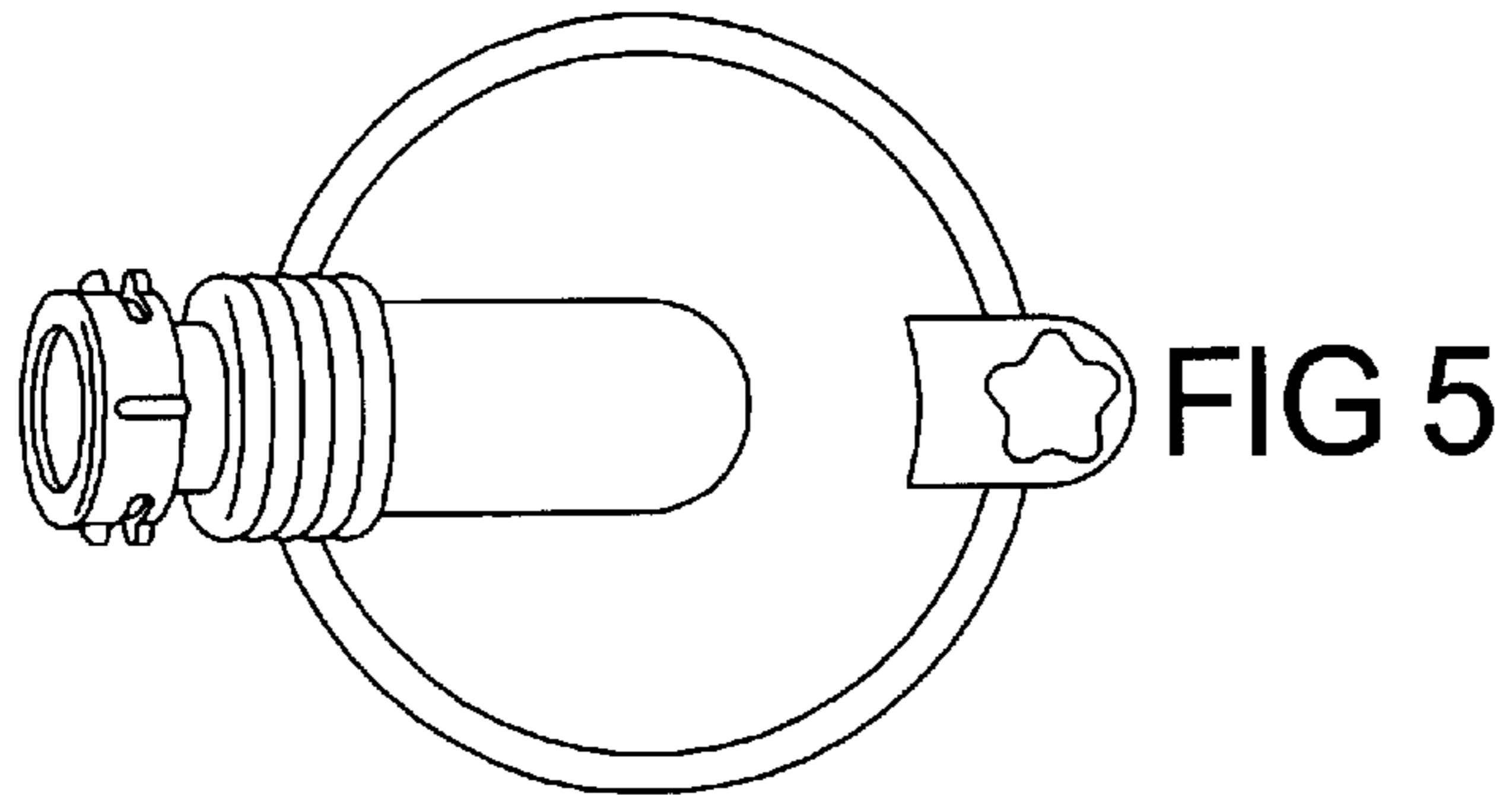


FIG 5

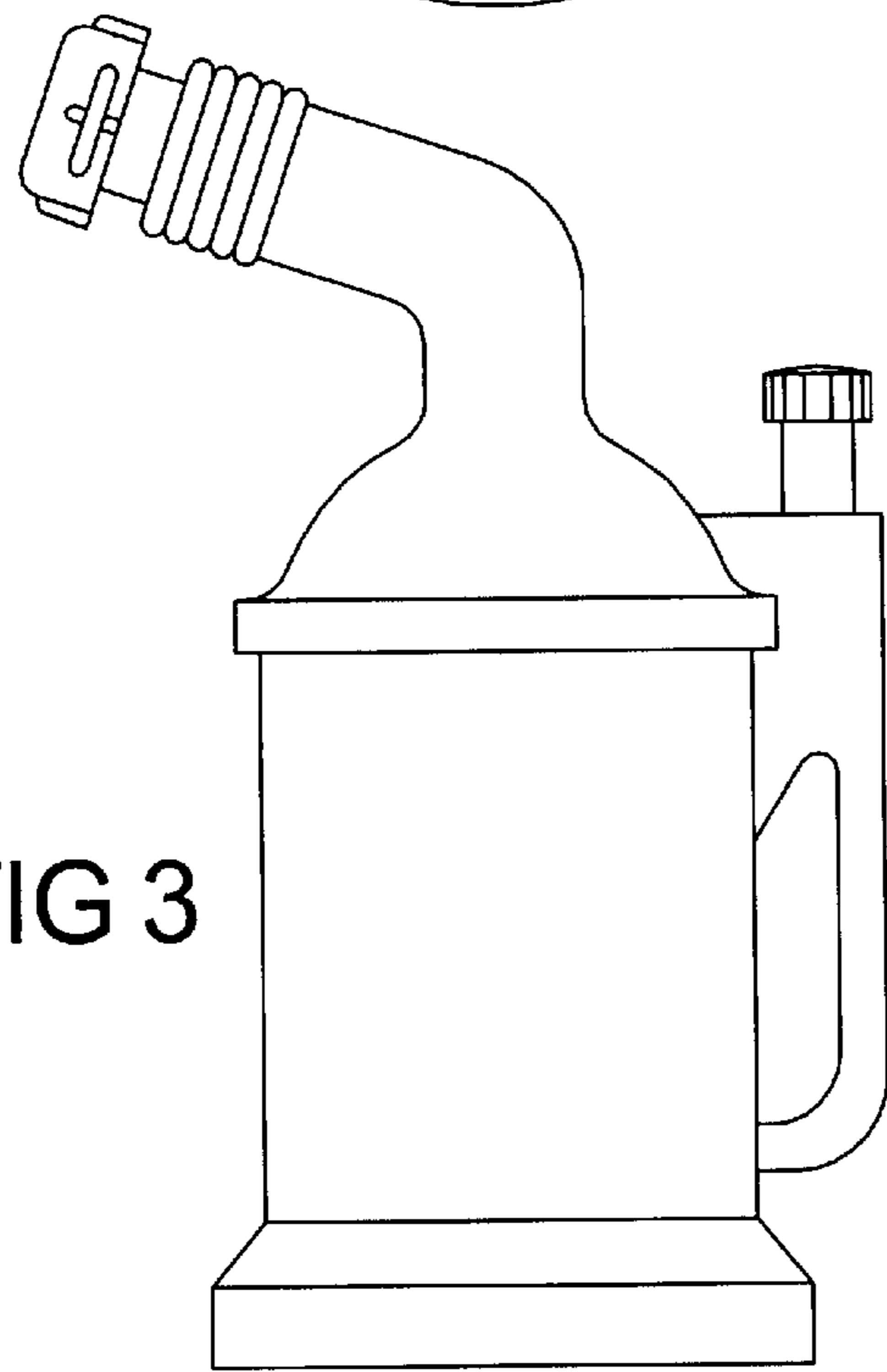


FIG 3

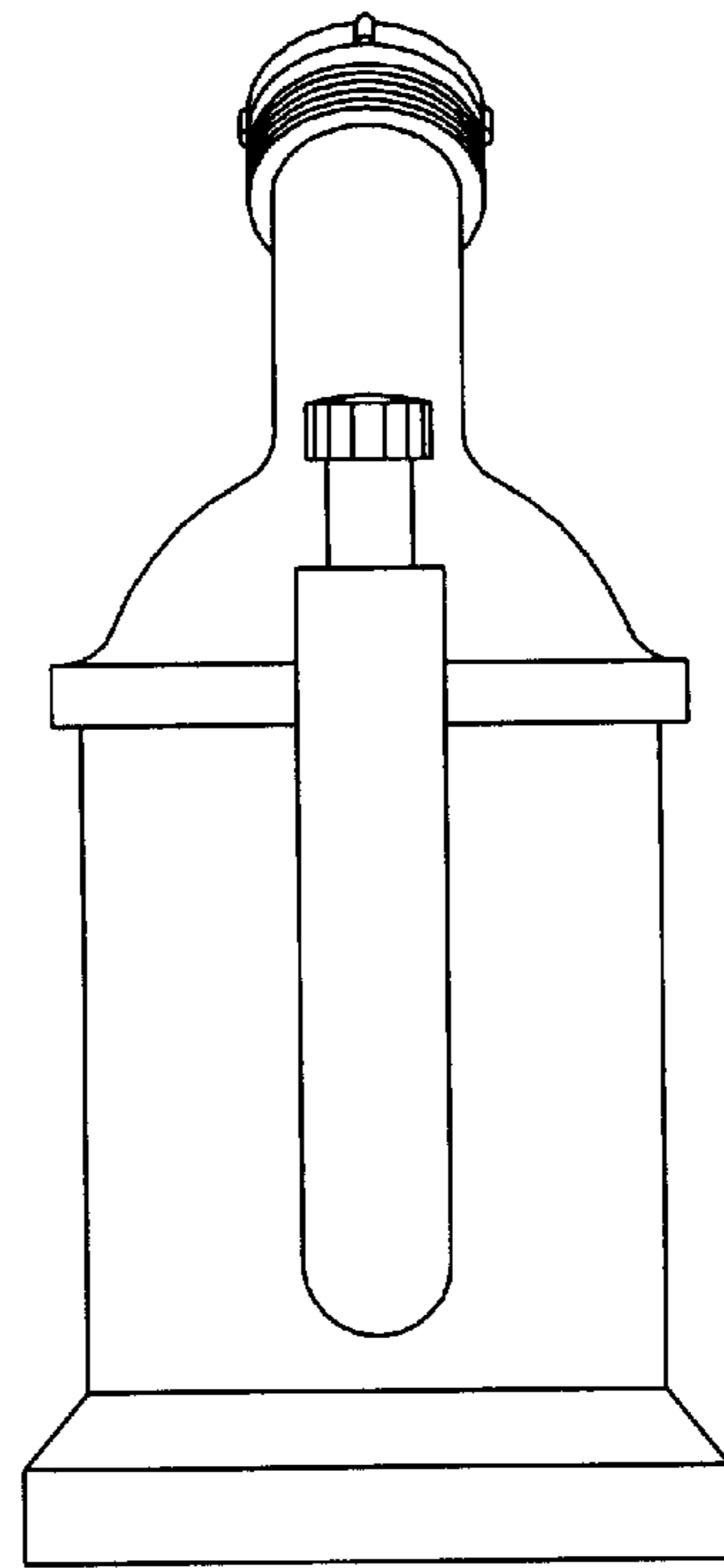


FIG 4

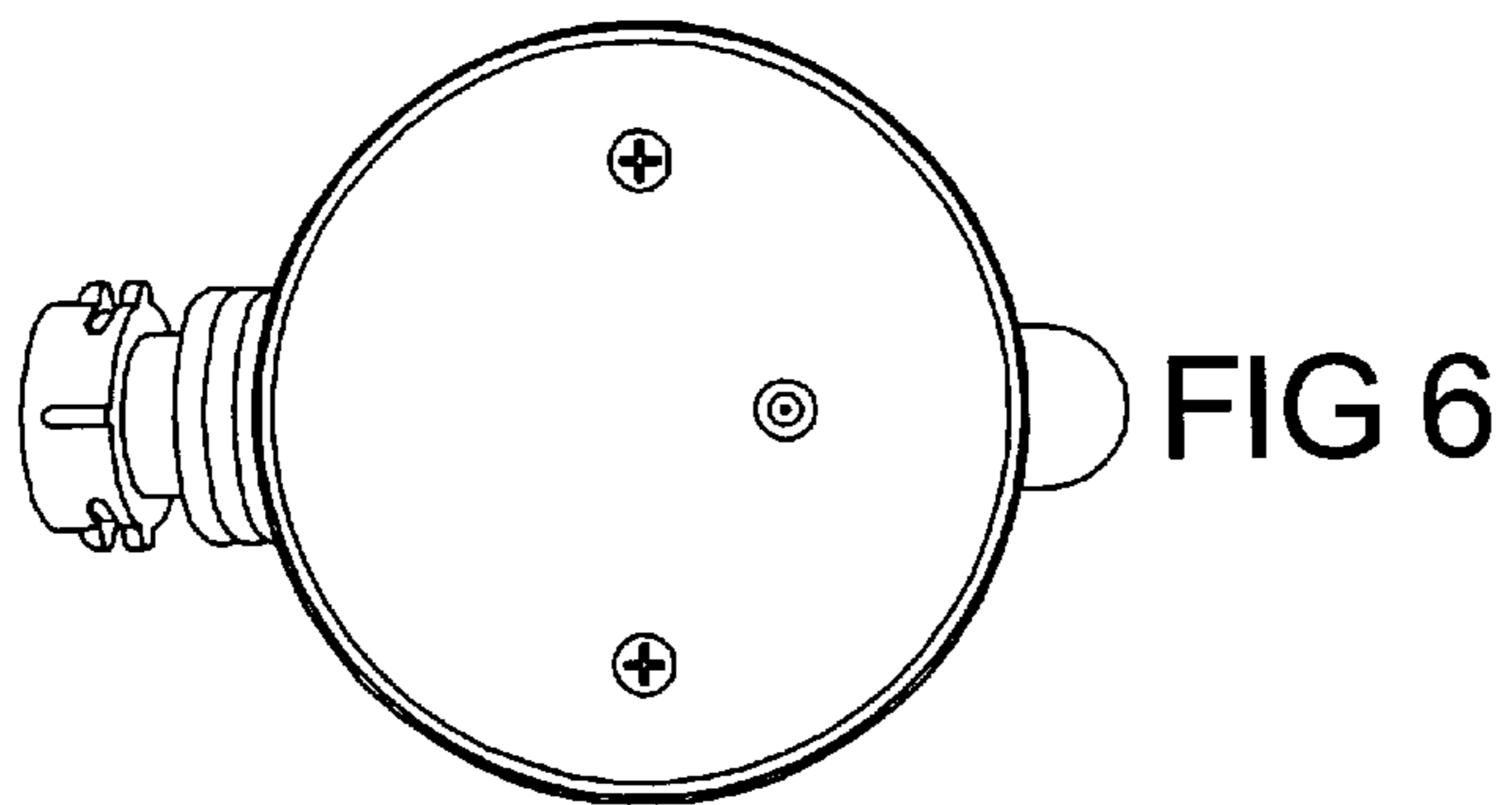


FIG 6