



US00D538968S

(12) **United States Design Patent**  
**Lin**

(10) **Patent No.:** **US D538,968 S**

(45) **Date of Patent:** **\*\* Mar. 20, 2007**

(54) **FLEX TUBE LIGHTER**

(76) Inventor: **Rong Lin**, 109 Kings Mountain Dr.,  
Greer, SC (US) 29650

(\*\*) Term: **14 Years**

(21) Appl. No.: **29/243,642**

(22) Filed: **Nov. 29, 2005**

(51) **LOC (8) Cl.** ..... **27-05**

(52) **U.S. Cl.** ..... **D27/147; D27/154; D7/416**

(58) **Field of Classification Search** ..... D27/141-161;  
D7/416; 431/129, 143, 153, 253-255, 273-277  
See application file for complete search history.

(56) **References Cited**

**U.S. PATENT DOCUMENTS**

D241,645 S \* 9/1976 Lanzi ..... D7/416

D362,313 S \* 9/1995 Zeller ..... D7/416  
D493,666 S \* 8/2004 Haffner ..... D7/416  
2002/0064744 A1 \* 5/2002 Tse ..... 431/153

\* cited by examiner

*Primary Examiner*—Jennifer Rivard

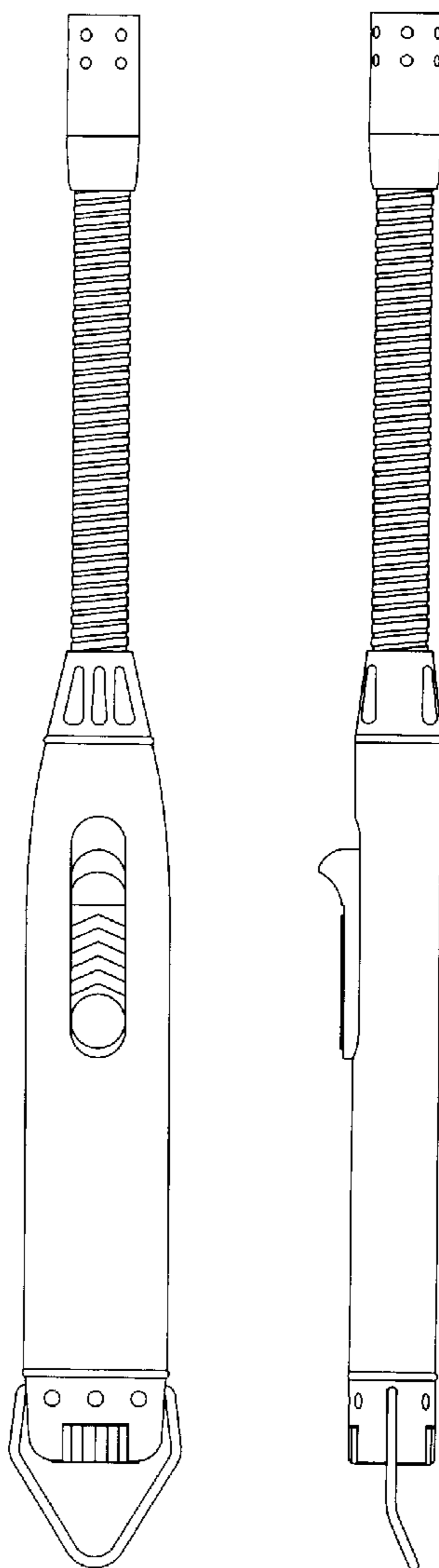
(57) **CLAIM**

The ornamental design for a flex tube lighter, as shown.

**DESCRIPTION**

FIG. 1 is a front elevational view thereof;  
FIG. 2 is a right side elevational view thereof;  
FIG. 3 is a rear elevational view thereof;  
FIG. 4 is a top plan view thereof; and,  
FIG. 5 is a bottom plan view thereof.

**1 Claim, 5 Drawing Sheets**



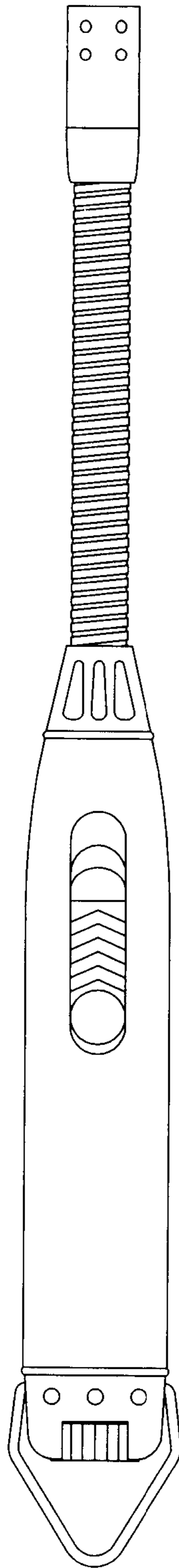


FIG. 1

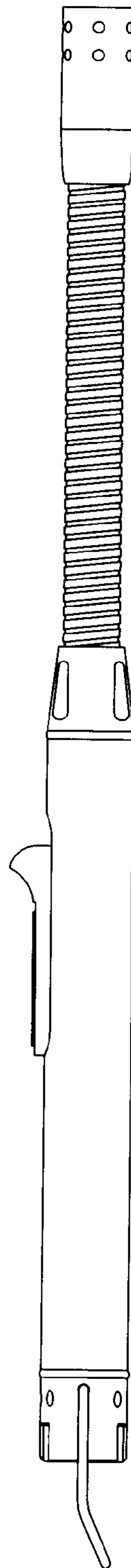


FIG. 2

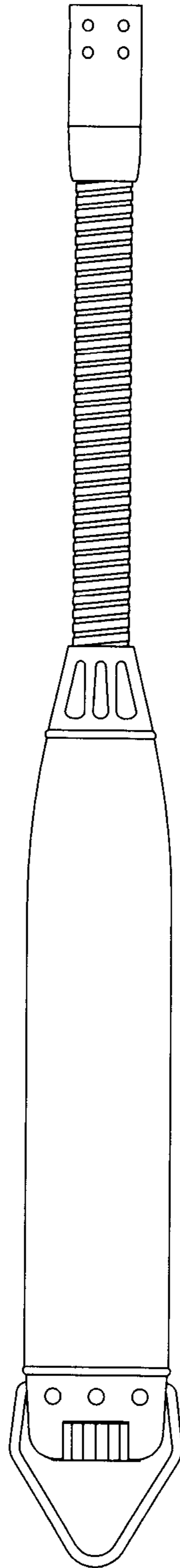


FIG. 3

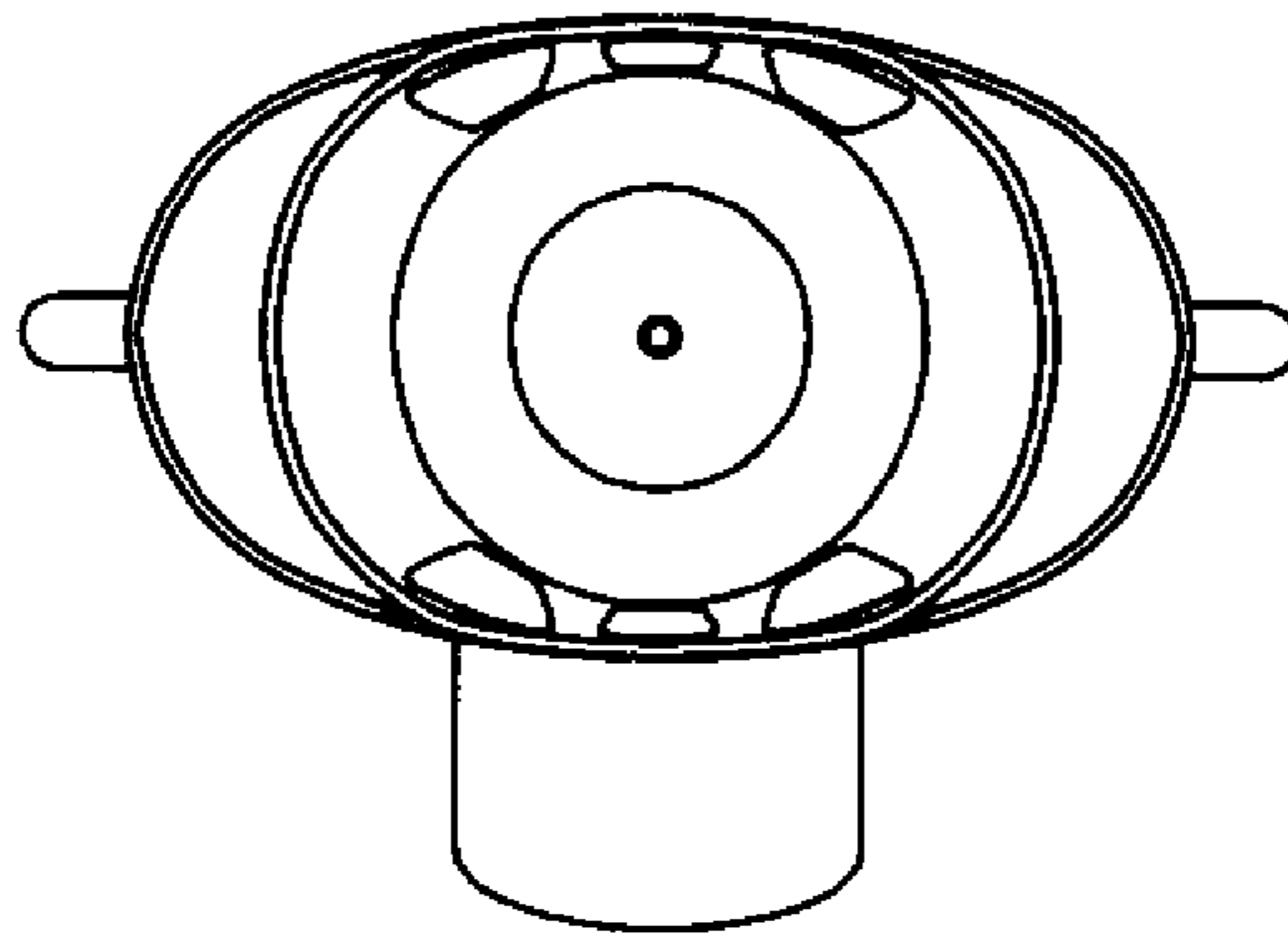


FIG. 4

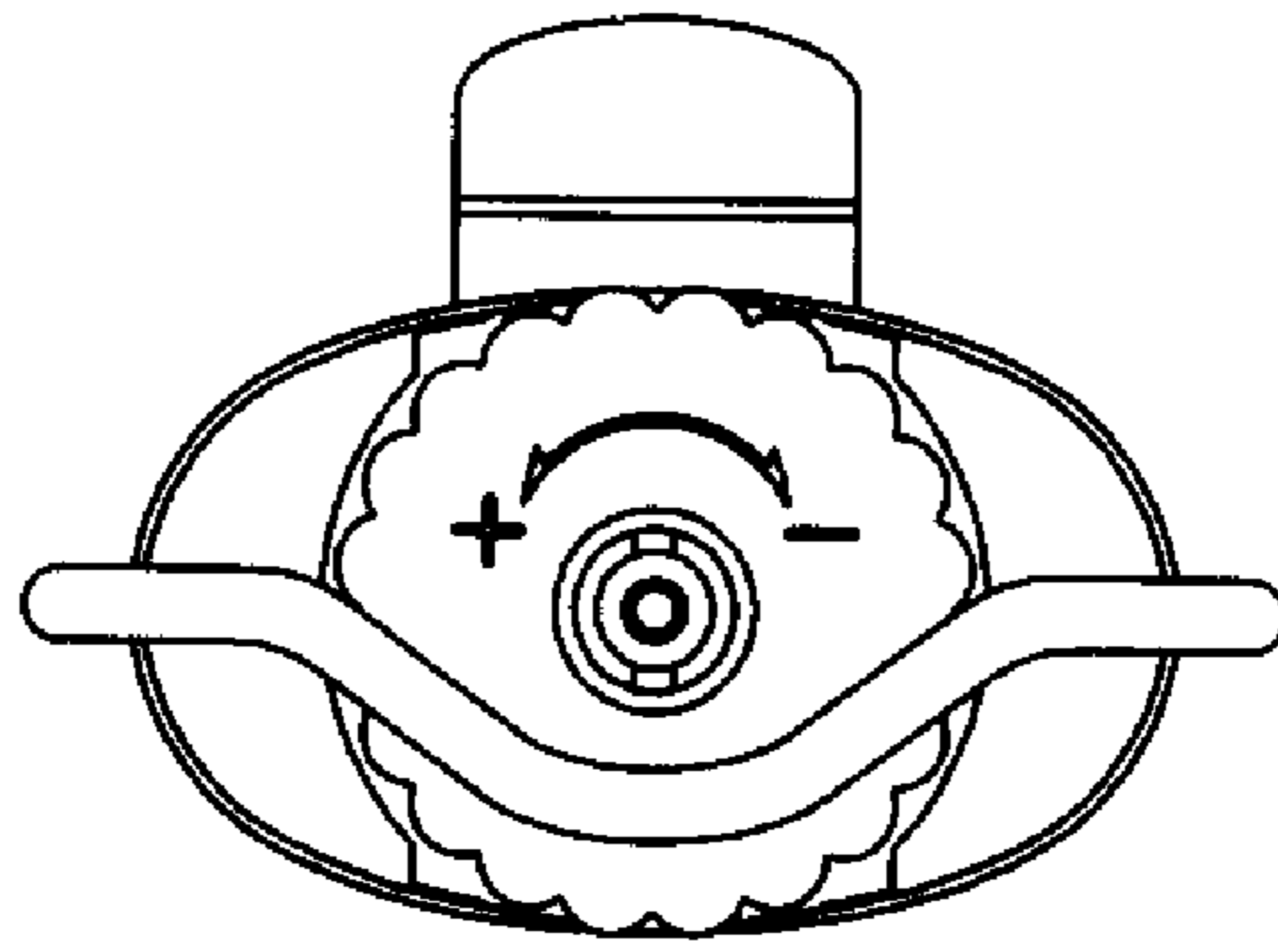


FIG. 5