



US00D538967S

(12) **United States Design Patent**  
**Chuang**

(10) **Patent No.:** **US D538,967 S**

(45) **Date of Patent:** **\*\* Mar. 20, 2007**

(54) **LIGHTER**

(76) Inventor: **Shao Chi Chuang**, No. 13, Alley 41,  
Lane 8, Tianmu East Road, Taipei City  
(TW)

(\*\*) Term: **14 Years**

(21) Appl. No.: **29/247,470**

(22) Filed: **Jun. 20, 2006**

(51) **LOC (8) Cl.** ..... **27-05**

(52) **U.S. Cl.** ..... **D27/143; D27/157**

(58) **Field of Classification Search** ..... D27/141-161;  
431/129, 143, 153, 253-256, 273-277; 30/109-113;  
131/248-249

See application file for complete search history.

(56) **References Cited**

**U.S. PATENT DOCUMENTS**

D454,223 S \* 3/2002 Park ..... D27/157

D457,262 S \* 5/2002 Smith ..... D27/143

D510,456 S \* 10/2005 Smith ..... D27/143

\* cited by examiner

*Primary Examiner*—Jennifer Rivard

(74) *Attorney, Agent, or Firm*—Banger Shia

(57) **CLAIM**

The ornamental design for a lighter, as shown and described.

**DESCRIPTION**

FIG. 1 is a perspective view of a lighter showing my new design;

FIG. 2 is a front elevational view thereof;

FIG. 3 is a rear elevational view thereof,

FIG. 4 is a left side elevational view thereof,

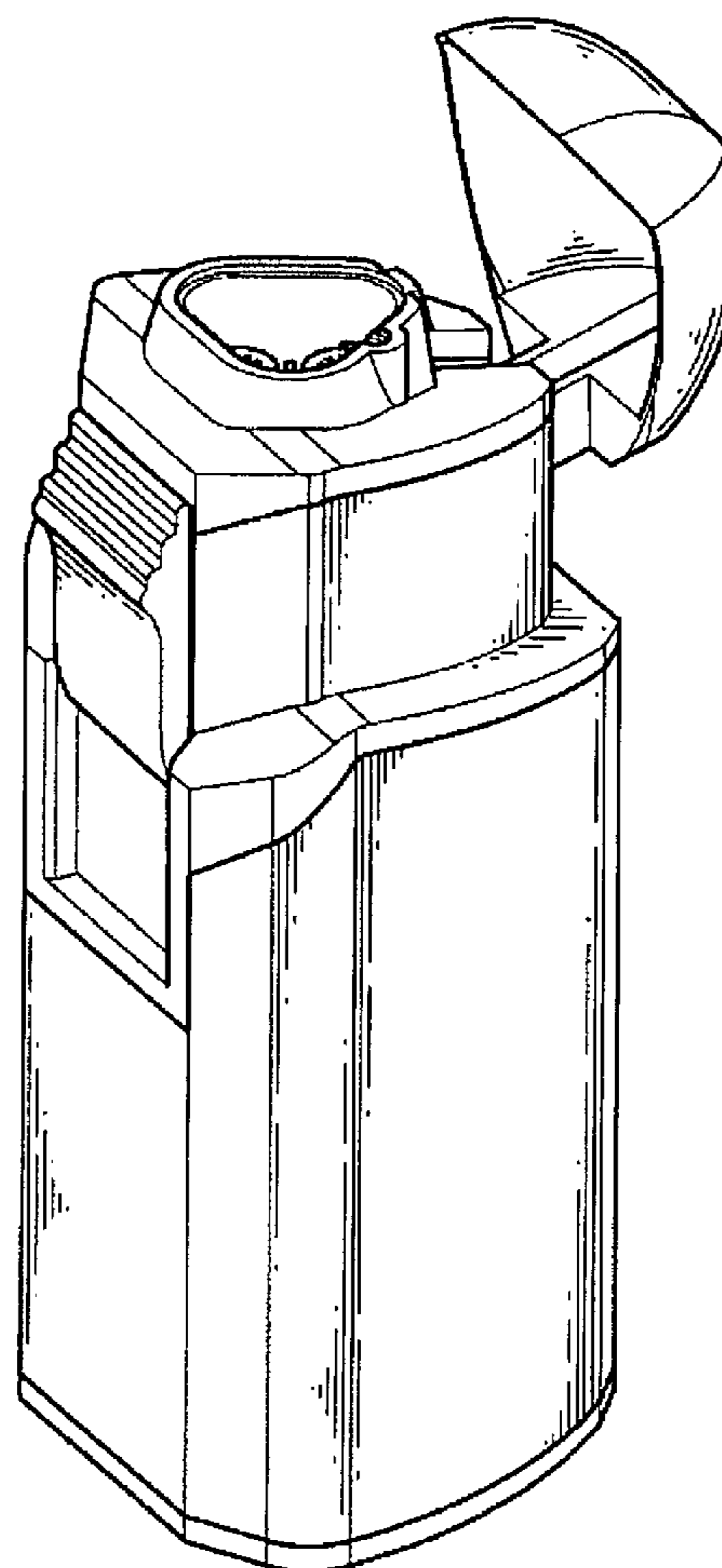
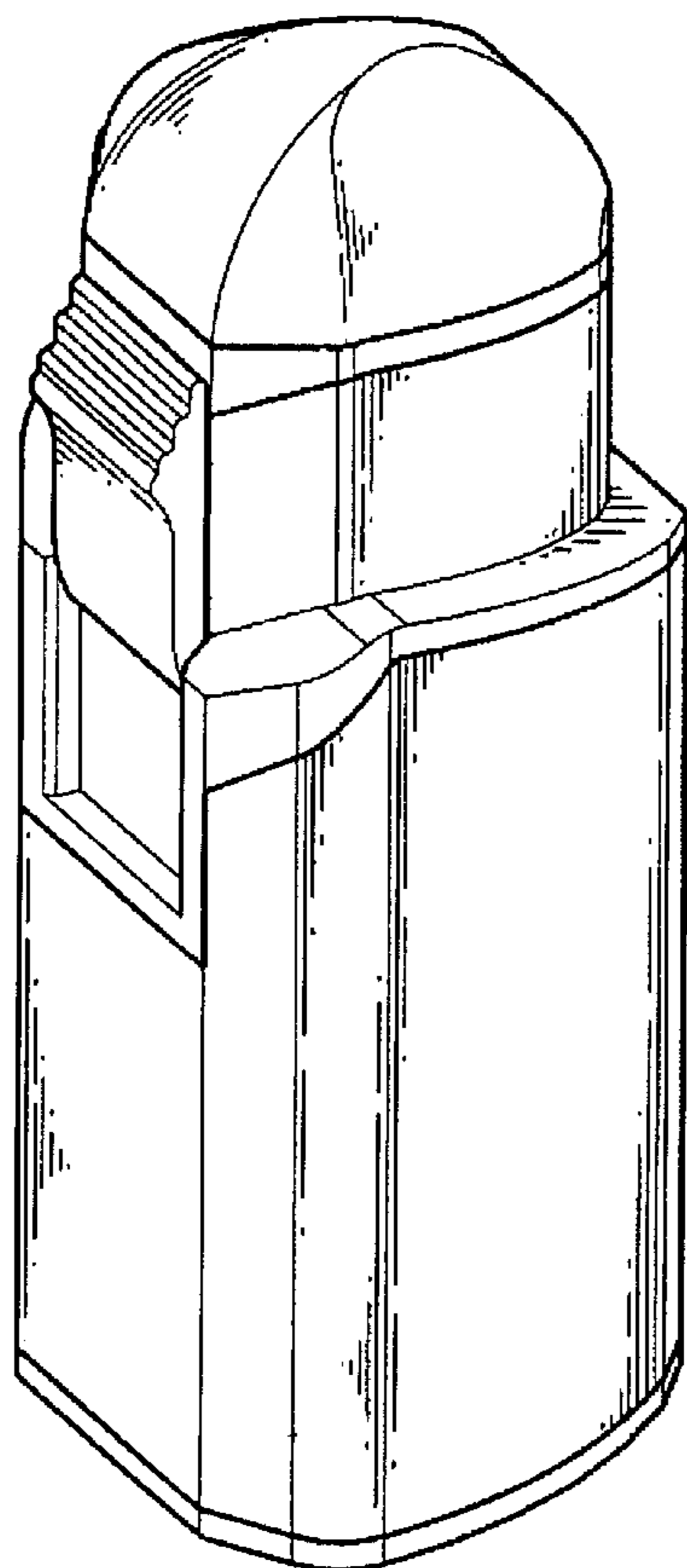
FIG. 5 is a right side elevational view thereof,

FIG. 6 is a top plan view thereof; and

FIG. 7 is a bottom plan view to that shown; and,

FIG. 8 is a perspective view of showing the open condition of the claimed design.

**1 Claim, 7 Drawing Sheets**



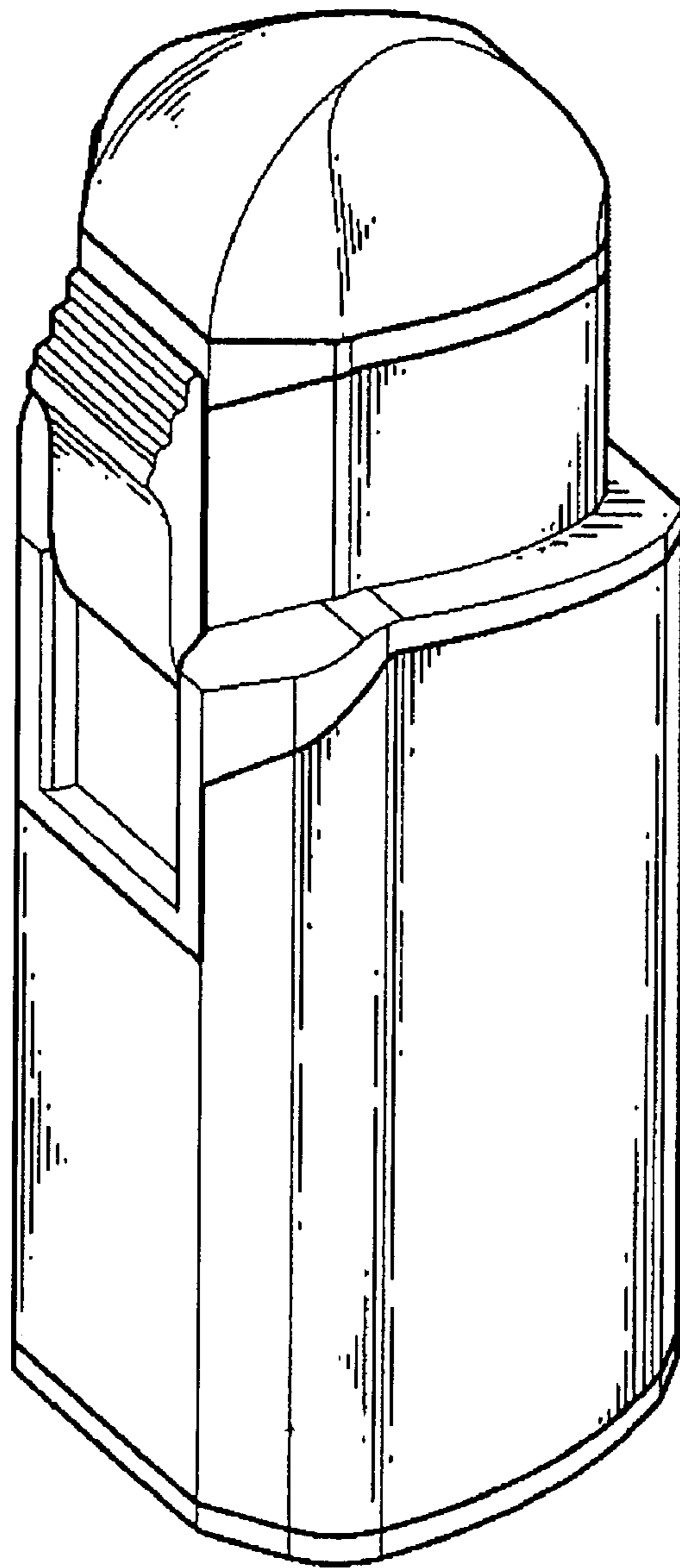


FIG. 1

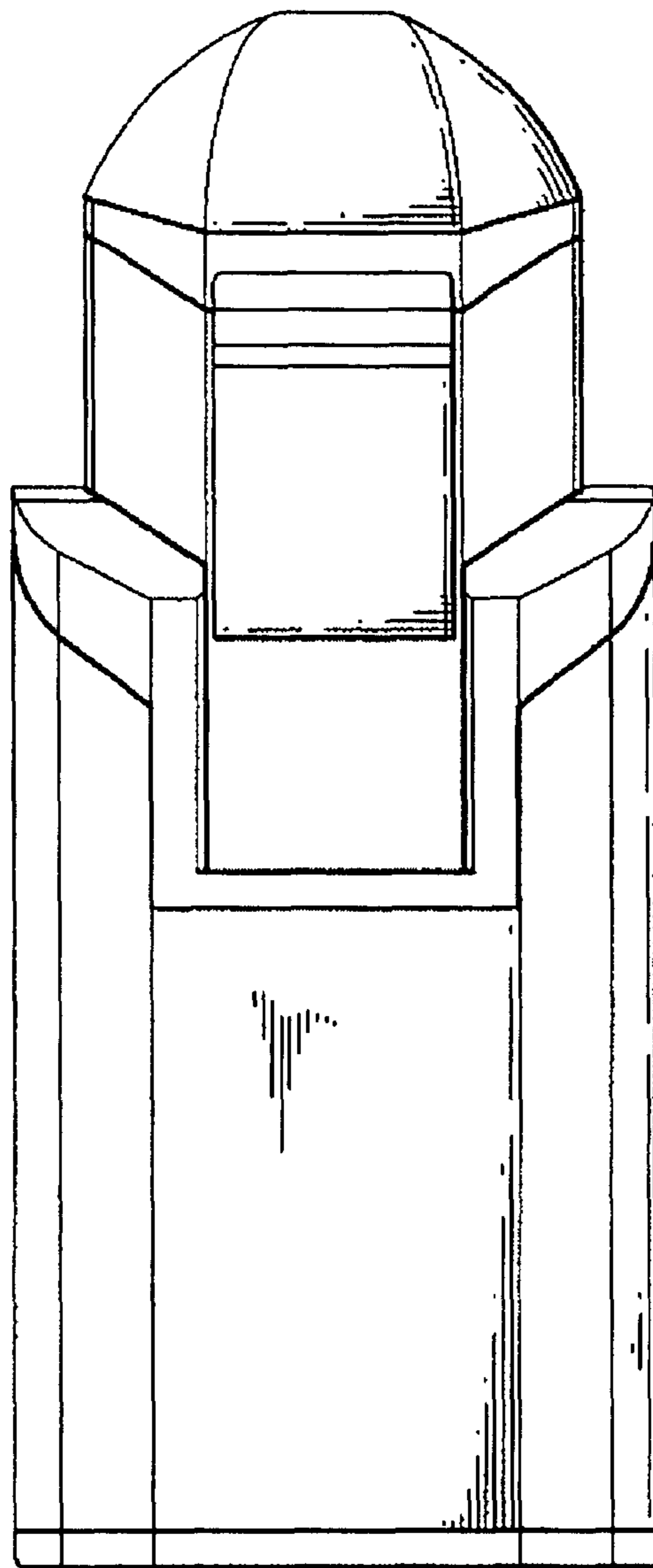


FIG. 2

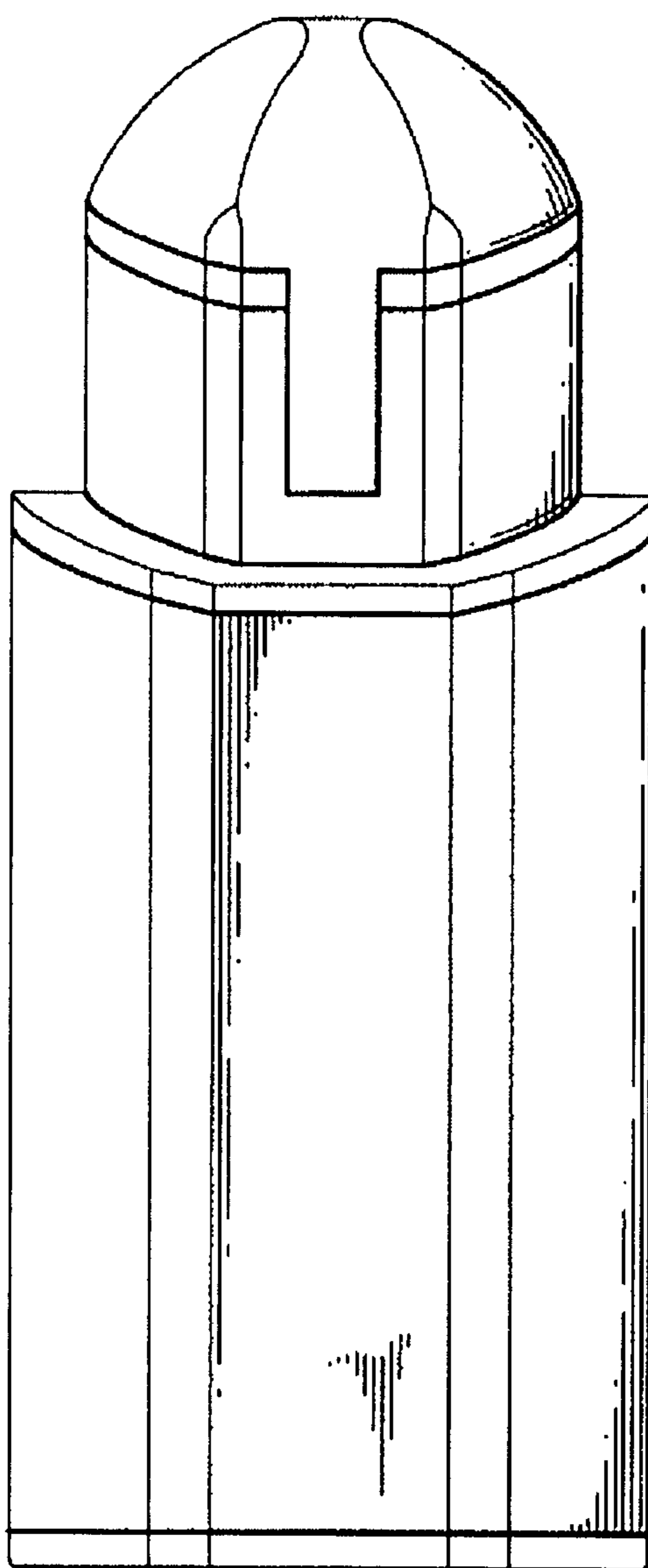


FIG. 3

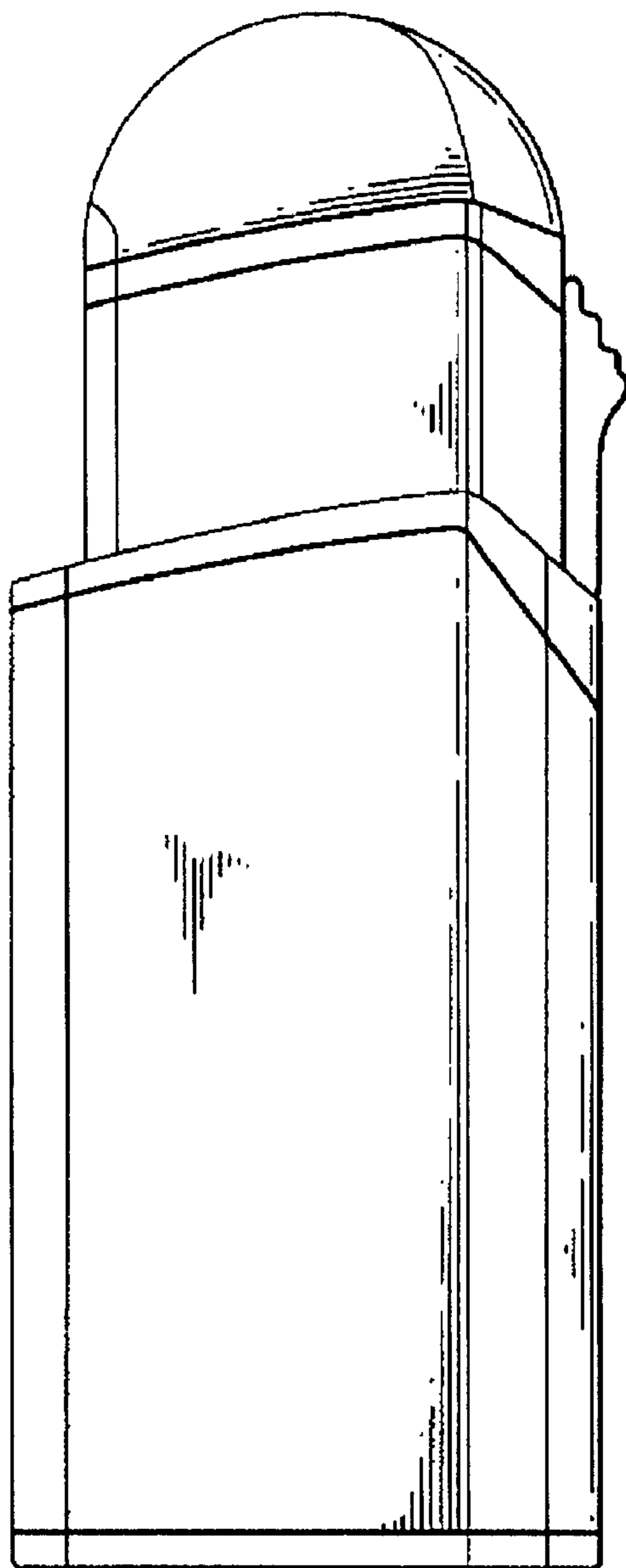


FIG. 4

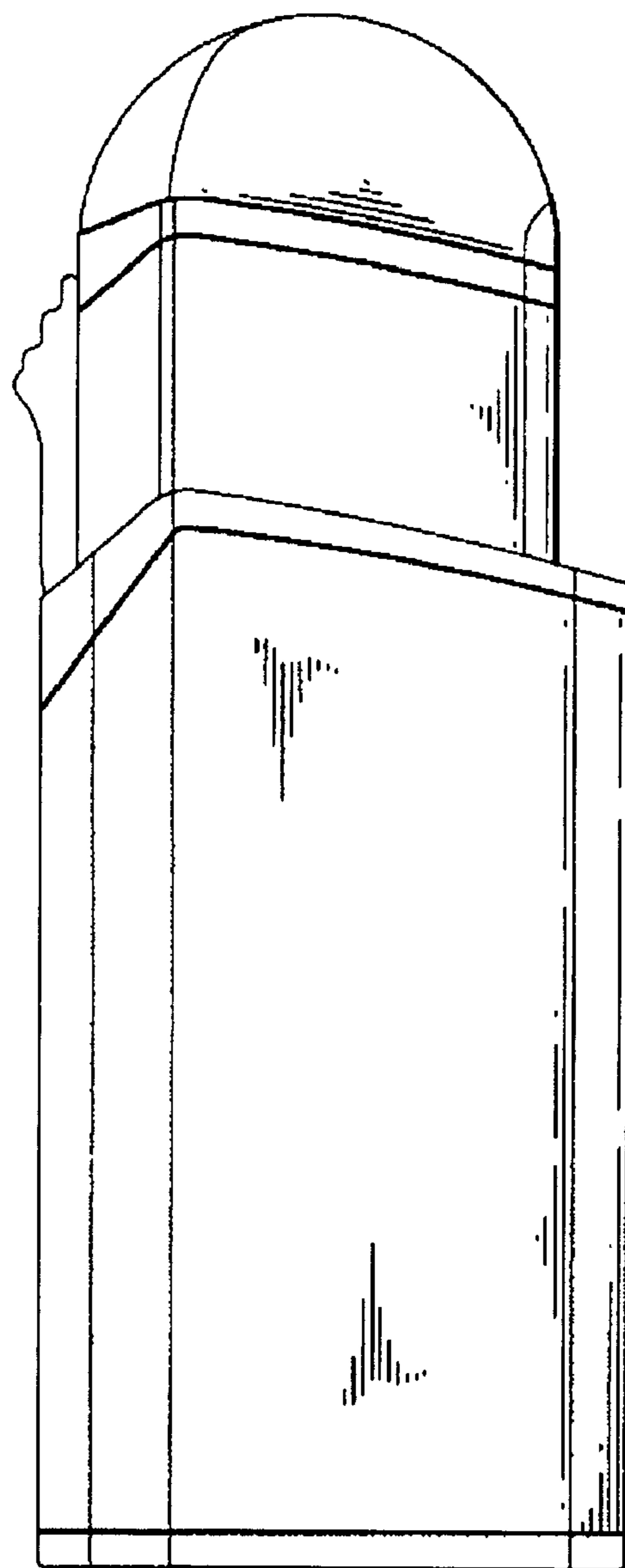


FIG. 5

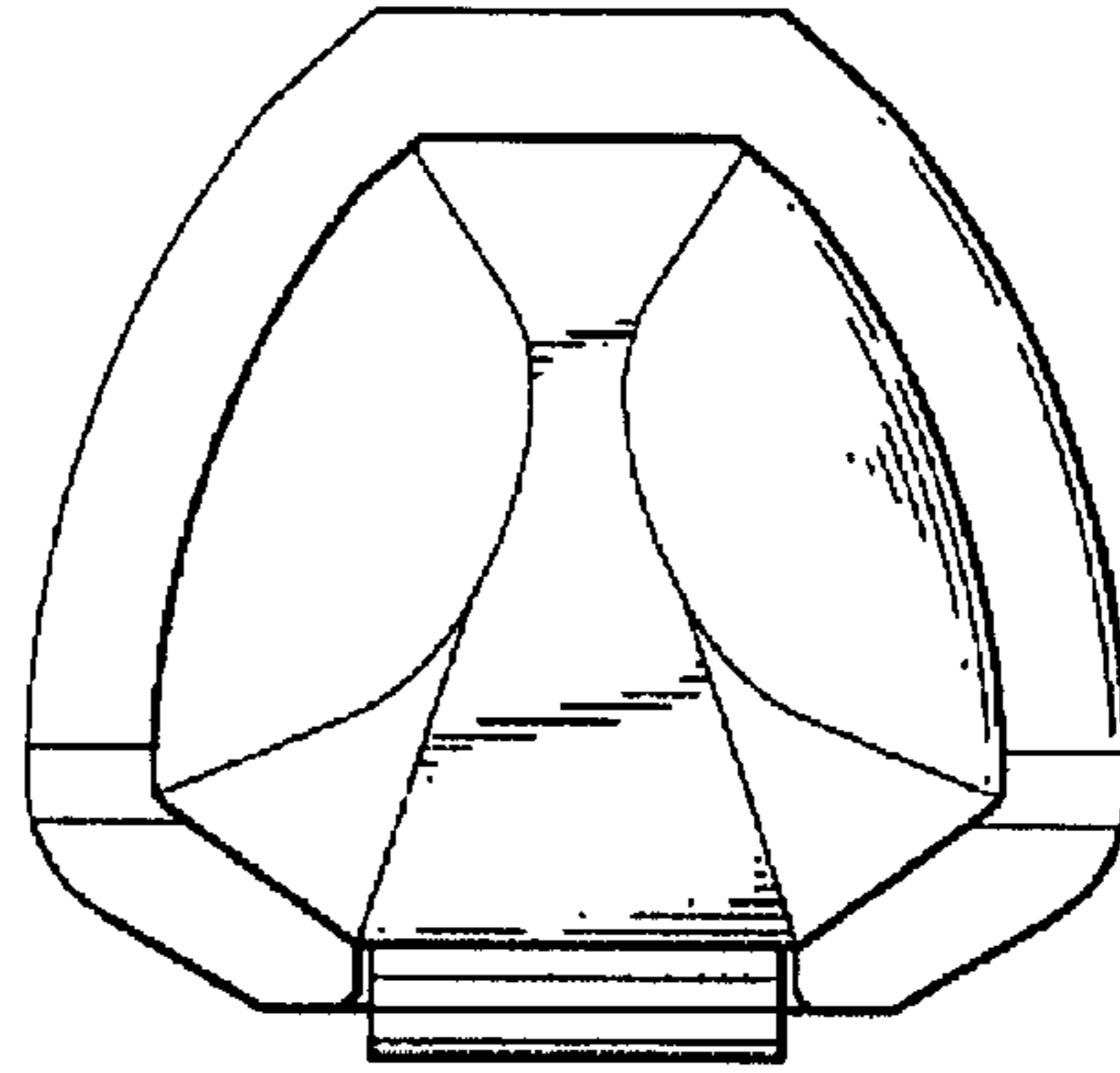


FIG. 6

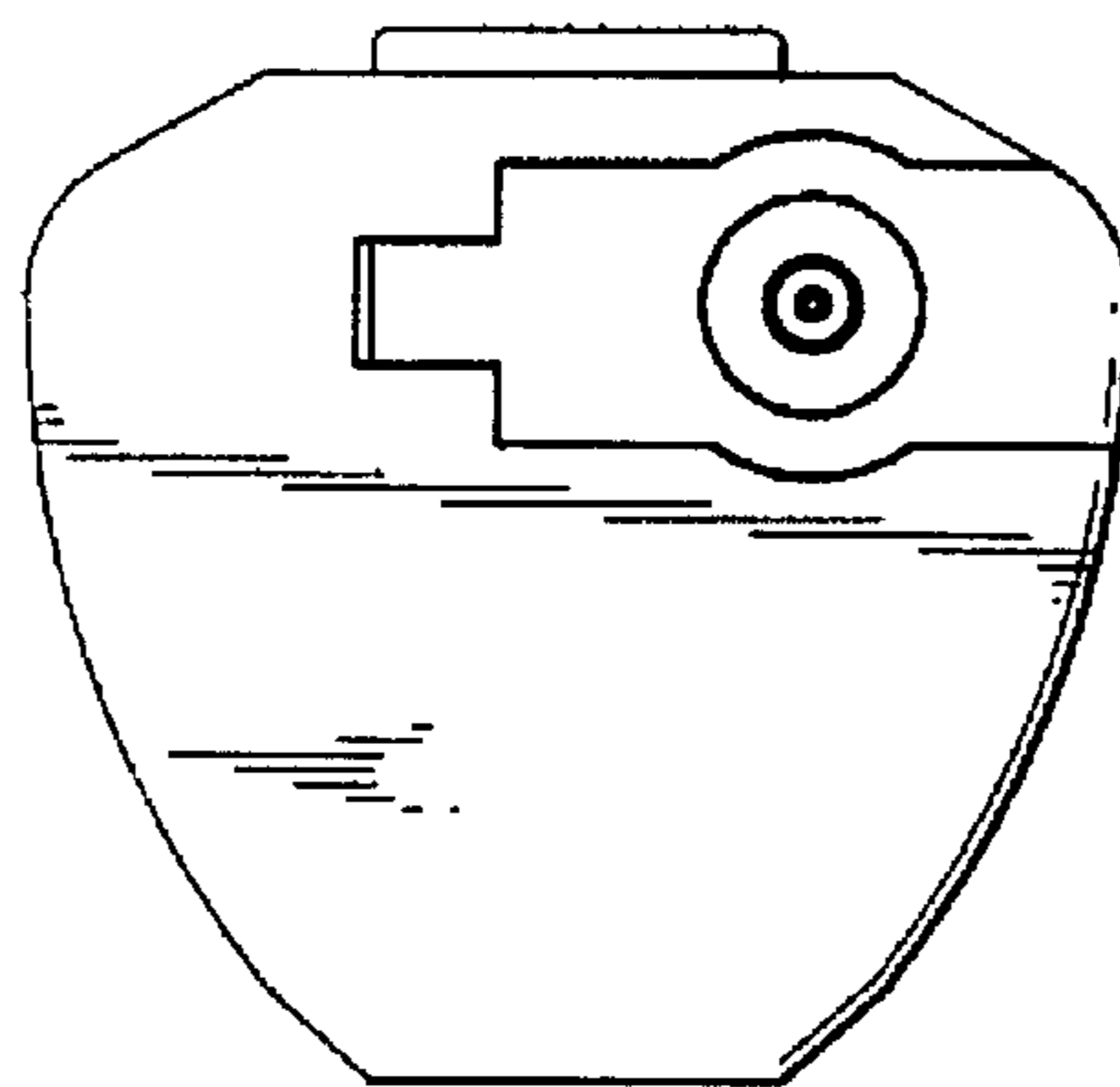


FIG. 7

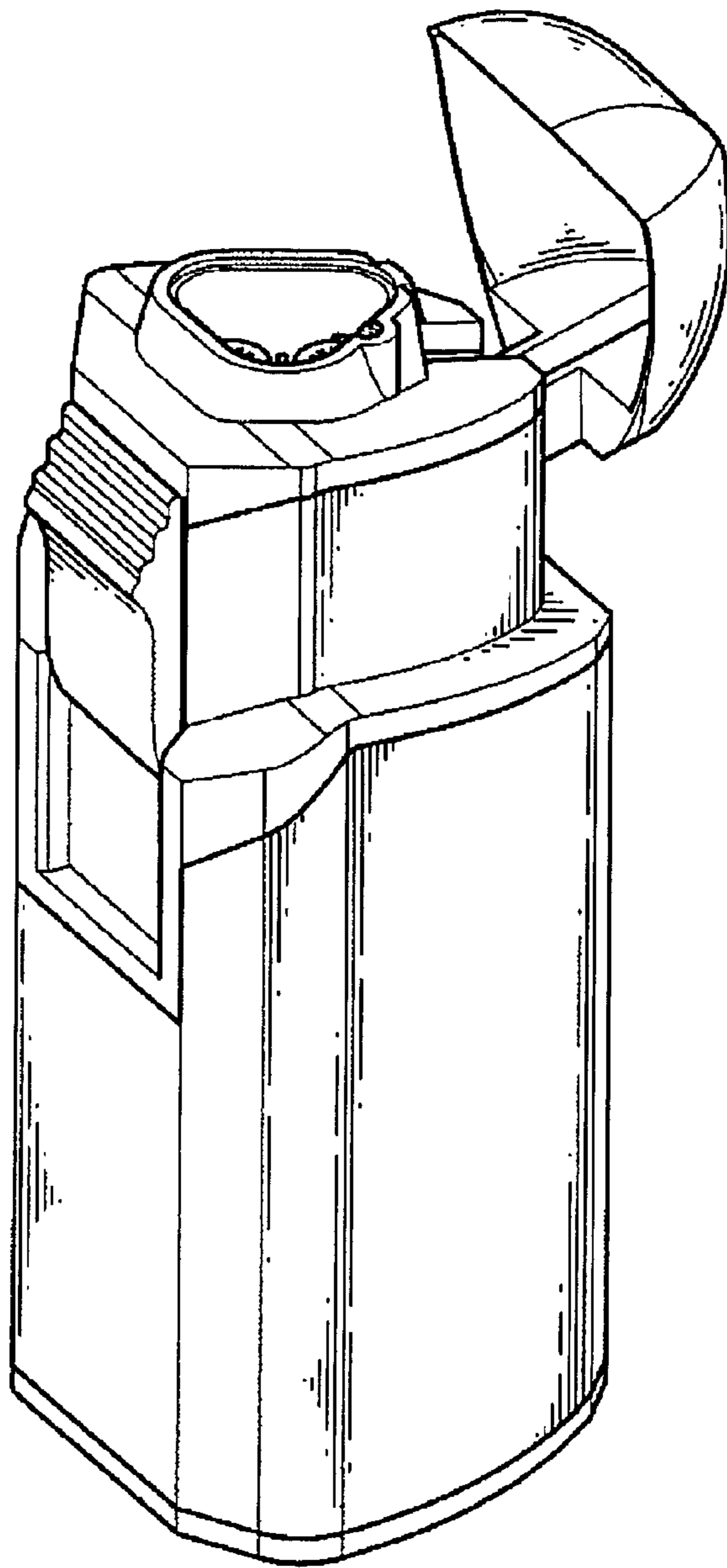


FIG. 8