



US00D538966S

(12) **United States Design Patent** (10) **Patent No.:** **US D538,966 S**
Lehman et al. (45) **Date of Patent:** **** Mar. 20, 2007**

(54) **LAMPHOLDER**

(75) Inventors: **Gregg Lehman**, Peachtree City, GA (US); **Steen Vann**, Morrow, GA (US)

(73) Assignee: **Cooper Technologies Company**, Houston, TX (US)

(**) Term: **14 Years**

(21) Appl. No.: **29/252,524**

(22) Filed: **Jan. 24, 2006**

www.caprilighting.com, Capri Lighting, Gimbals, Apr. 4, 2006 (1 page).

Capri Lighting, CT6538, CT6510, Accessories, TR1-23, rev. Sep. 2005 (2 pages).

Primary Examiner—Freda S. Nunn

Assistant Examiner—Kevin K. Rudzinski

(74) *Attorney, Agent, or Firm*—SAIDMAN DesignLaw Group

(57) **CLAIM**

The ornamental design for a lampholder, as shown and described.

Related U.S. Application Data

(63) Continuation of application No. 29/233,364, filed on Jun. 30, 2005.

(51) **LOC (8) Cl.** **26-99**

(52) **U.S. Cl.** **D26/138**

(58) **Field of Classification Search** D26/113, D26/118, 119, 128, 138, 140, 141, 144, 63, D26/155, 67, 68; 362/147, 382, 404-408; D8/373

See application file for complete search history.

DESCRIPTION

This application is related to co-pending applications: Ser. No. 11/322,837, filed Dec. 30, 2005 and titled "Halo Flex Track"; Ser. No. 11/324,099, filed Dec. 30, 2005 and titled "Halo Power Supplies"; Ser.No. 11/323,231, filed Dec. 30, 2005 and titled "Halo Clam Shell Connections"; and Ser. No. 11/323,755, filed Dec. 30, 2005 and titled "Halo Hubs and Connections".

FIG. 1 is a top perspective view of a first embodiment of a lampholder showing my new design;

FIG. 2 is a bottom perspective view thereof;

FIG. 3 is a front view thereof, the rear view being identical;

FIG. 4 is a left side view thereof, the right side being identical;

FIG. 5 is a top view thereof;

FIG. 6 is a bottom view thereof;

FIG. 7 is a top, front perspective view of a second embodiment thereof;

FIG. 8 is a bottom, front perspective view thereof;

FIG. 9 is a front view thereof, the rear view being identical;

FIG. 10 is a left side view thereof, the right side view being identical;

FIG. 11 is a top view;

FIG. 12 is a top perspective view of a third embodiment thereof; and,

FIG. 13 is a bottom perspective view thereof.

The broken lines form no part of the claimed design.

(56) **References Cited**

U.S. PATENT DOCUMENTS

D272,659 S	*	2/1984	Medley	D26/138
D315,420 S	*	3/1991	Layne	D26/63
D315,964 S	*	4/1991	Joosten et al.	D26/63
D323,565 S	*	1/1992	Woodgate	D26/63
D373,206 S	*	8/1996	Wandler et al.	D26/63
D399,327 S	*	10/1998	Lin	D26/63
D400,277 S	*	10/1998	Ewing et al.	D26/67

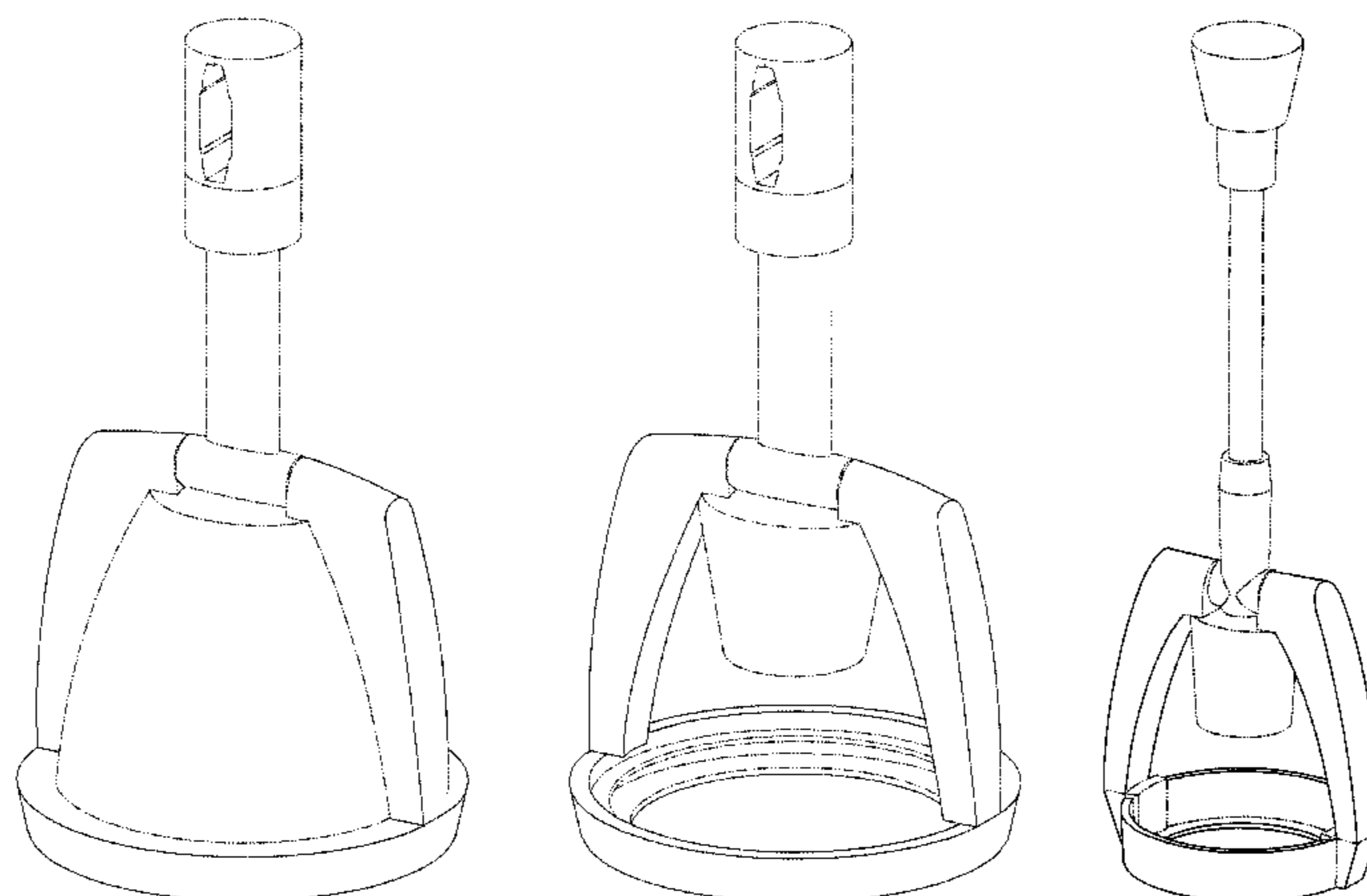
(Continued)

OTHER PUBLICATIONS

Nora Lighting, NRS90 Rail Series, product sheet, 2001 (6 pages).

On-Tech Lighting, Symphony MiniTrack, Catalog (16 pages).

1 Claim, 12 Drawing Sheets



US D538,966 S

Page 2

U.S. PATENT DOCUMENTS

D400,996 S	*	11/1998	Tang	D26/63	D483,903 S	*	12/2003	Skradski et al.	D26/118
D400,997 S	*	11/1998	Cheun et al.	D26/63	6,676,821 B1		1/2004	Bray et al.		
6,004,005 A		12/1999	Demshki, Jr.			D487,600 S	*	3/2004	Fickas	D26/138
D439,998 S	*	4/2001	Lin	D26/63	6,716,042 B2		4/2004	Lin		
D444,584 S	*	7/2001	Landefeld	D26/67	D500,573 S	*	1/2005	Emory et al.	D26/138
D481,158 S	*	10/2003	Cline	D26/138	D508,752 S	*	8/2005	Wachter	D26/118
D482,476 S	*	11/2003	Kwong	D26/63	2004/0160767 A1		8/2004	Mobarak et al.		

* cited by examiner

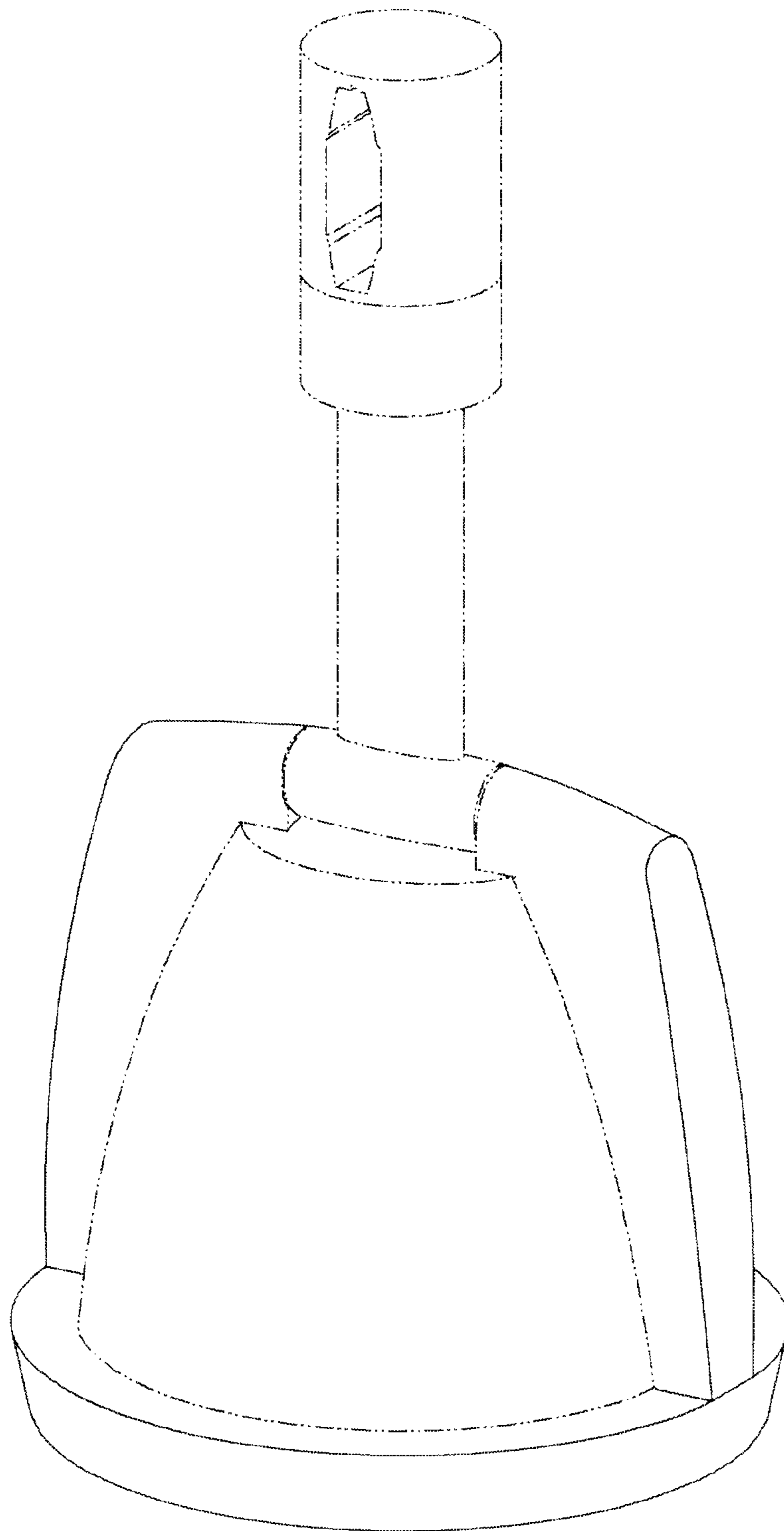


Fig. 1

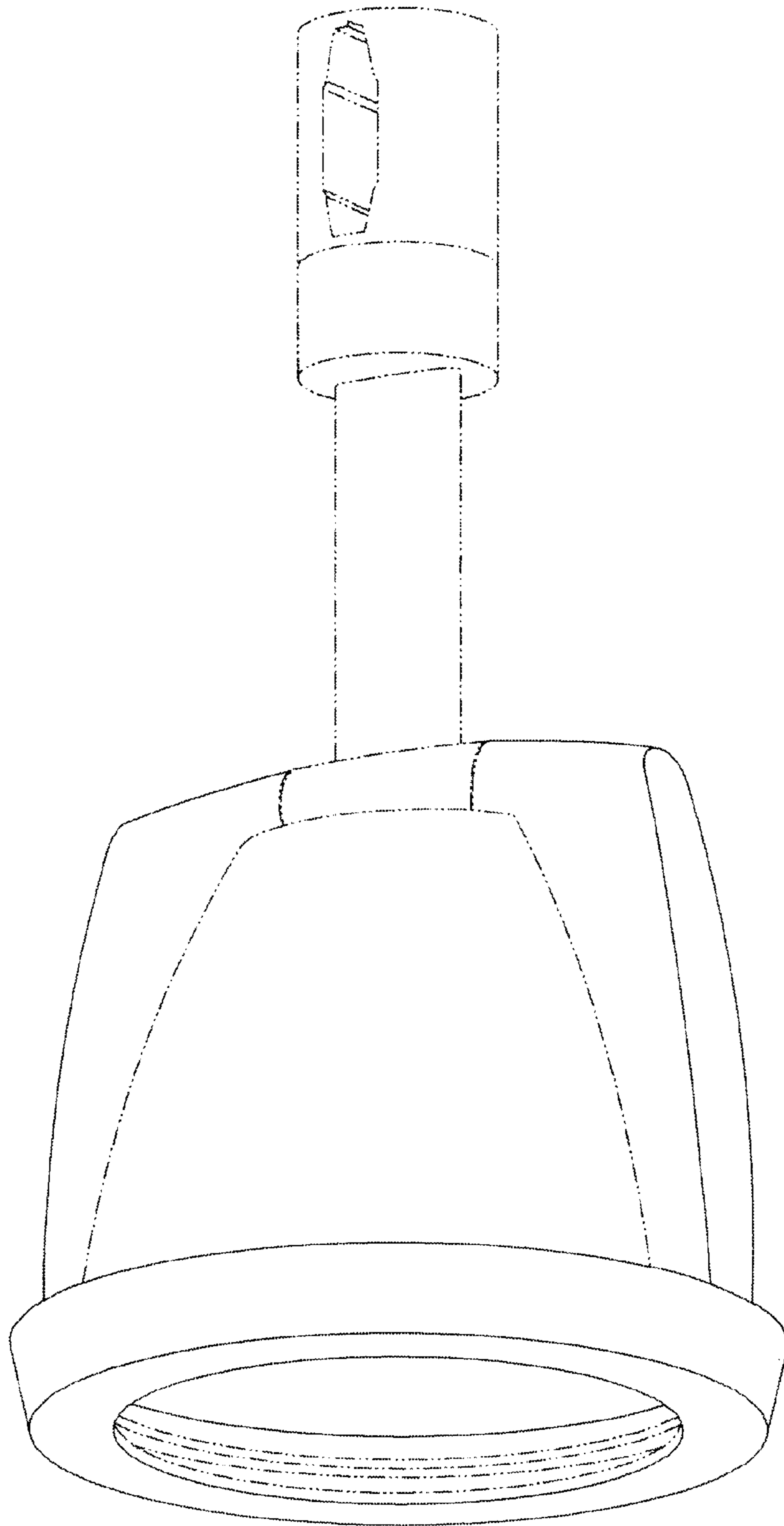


Fig. 2

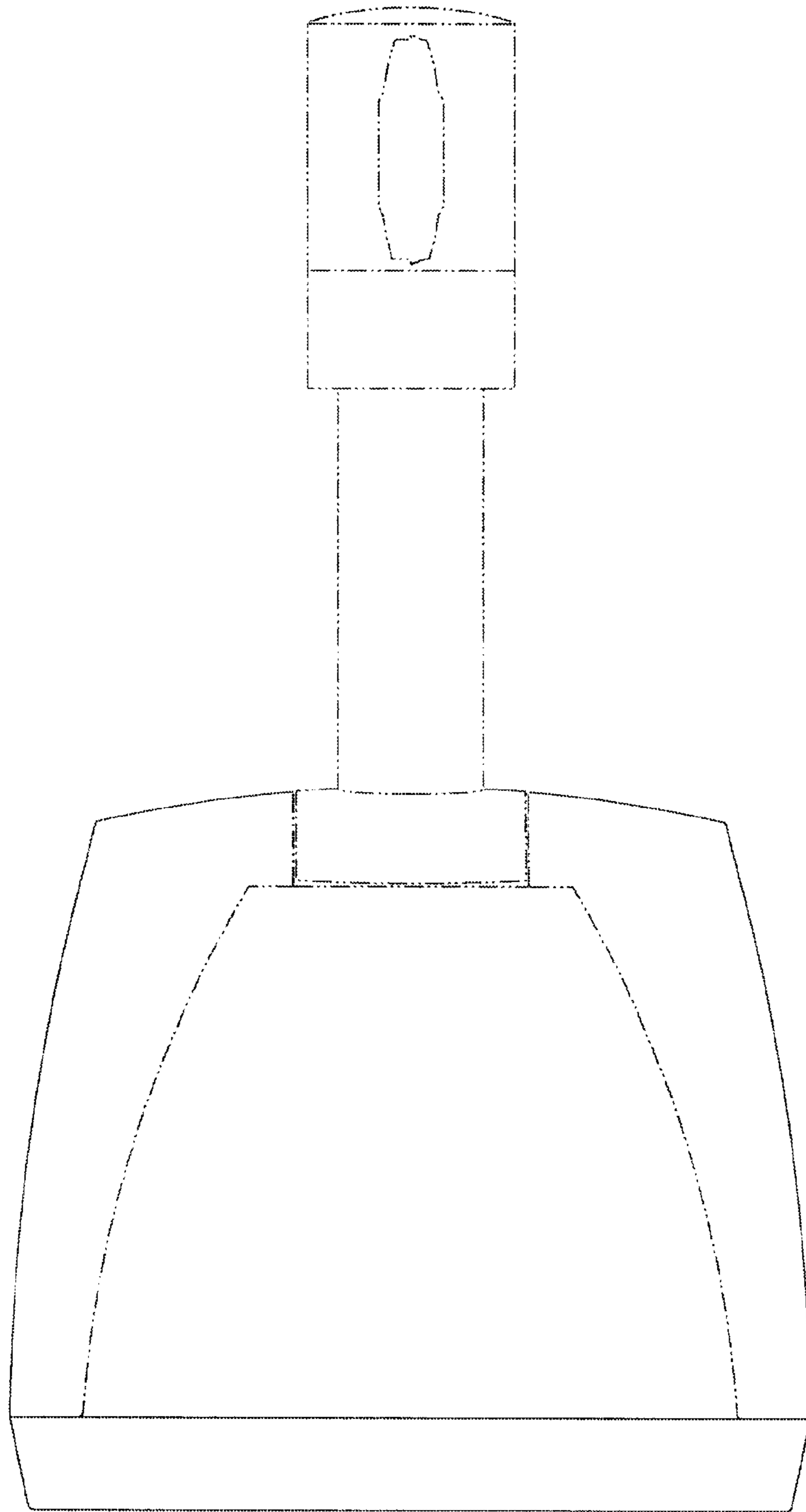


Fig. 3

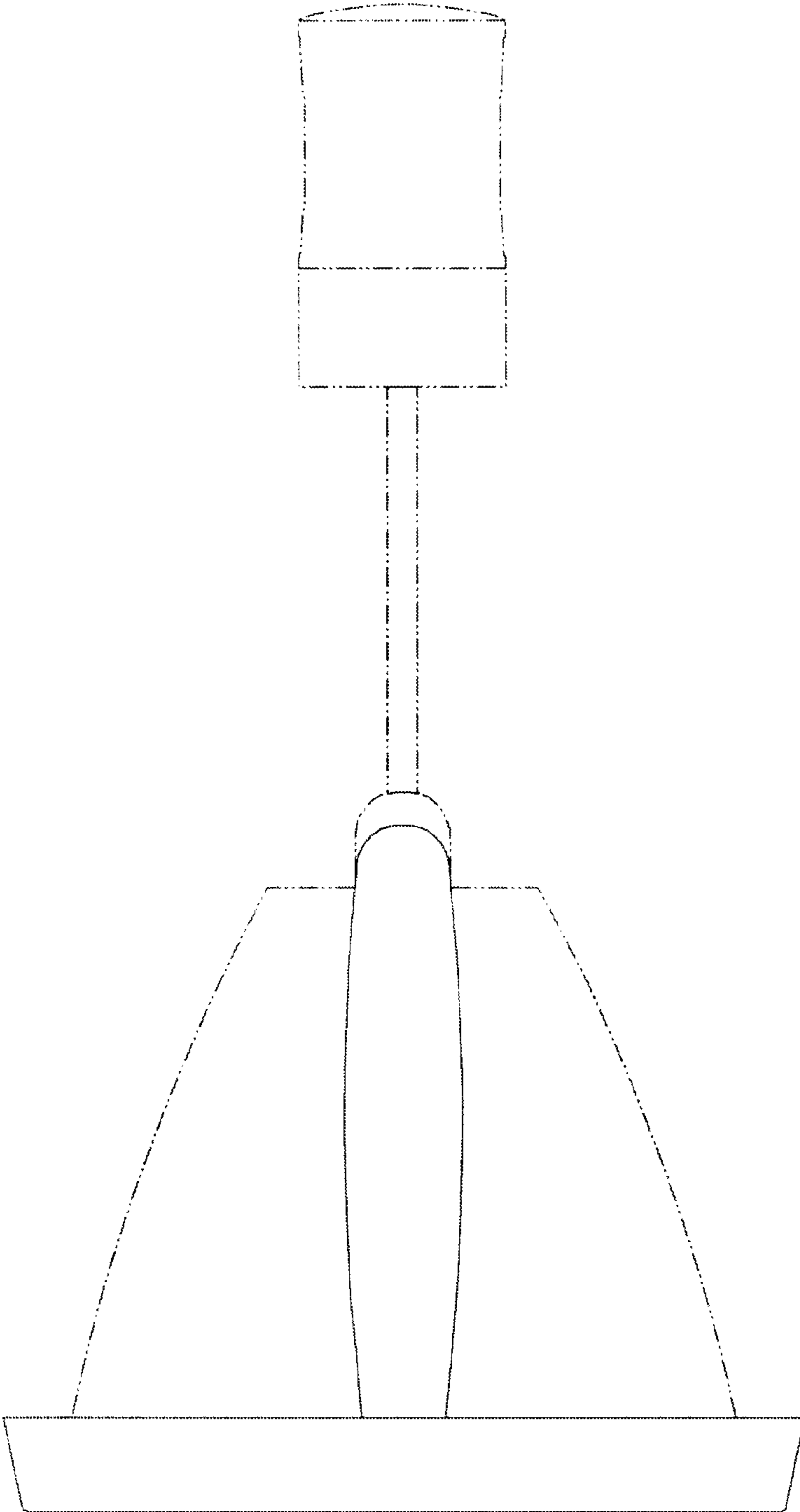


Fig. 4

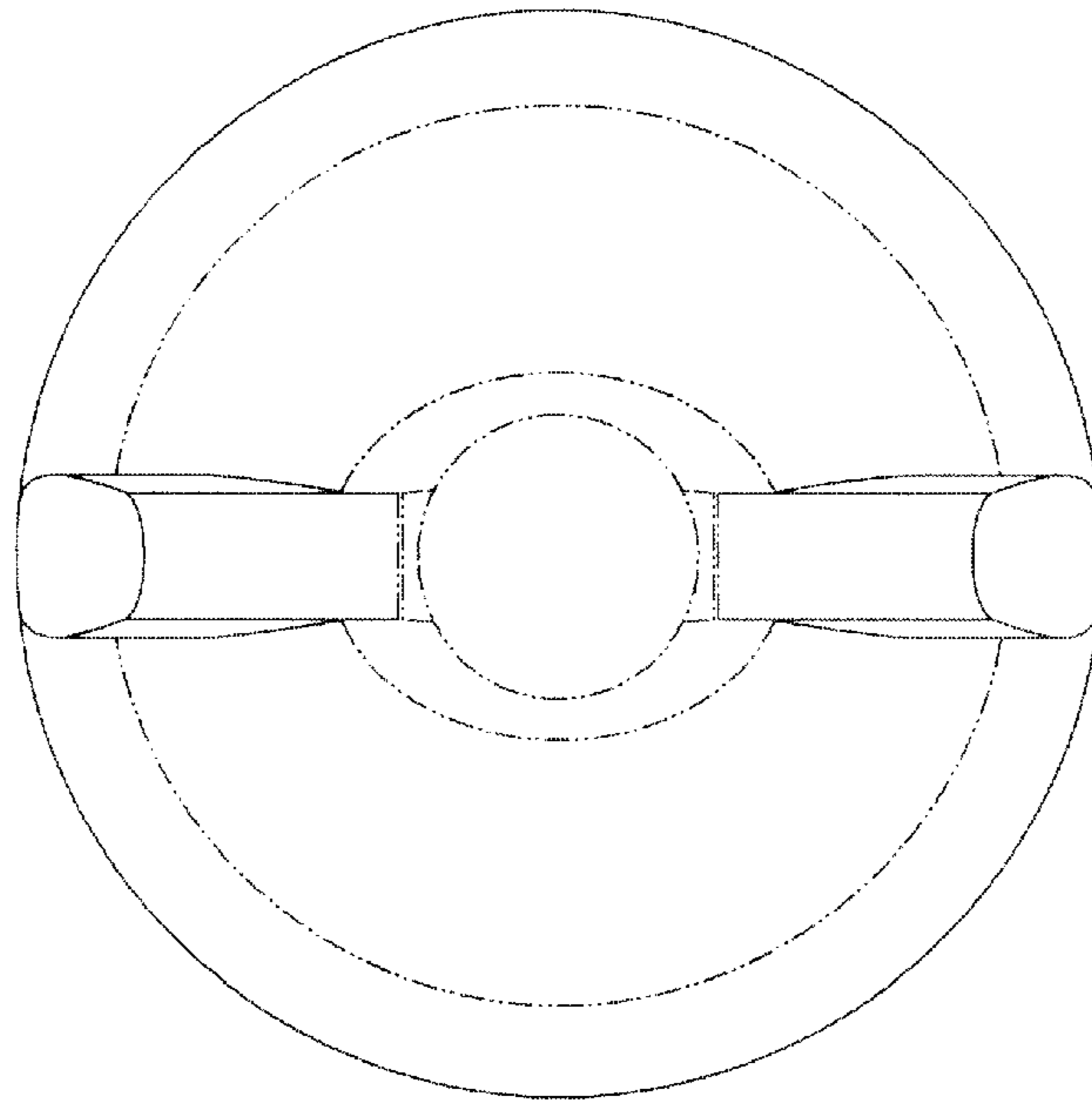


Fig. 5

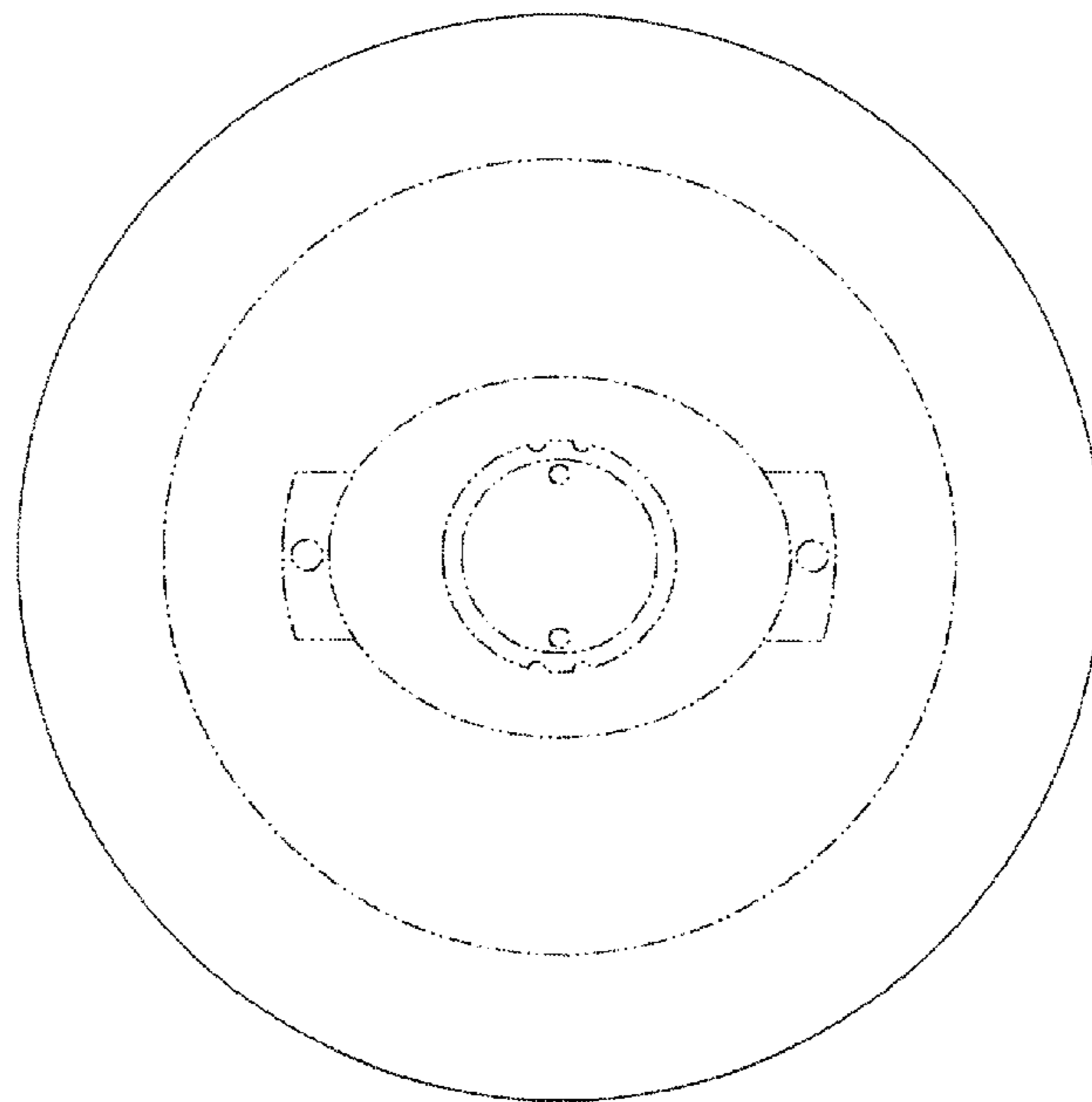


Fig. 6

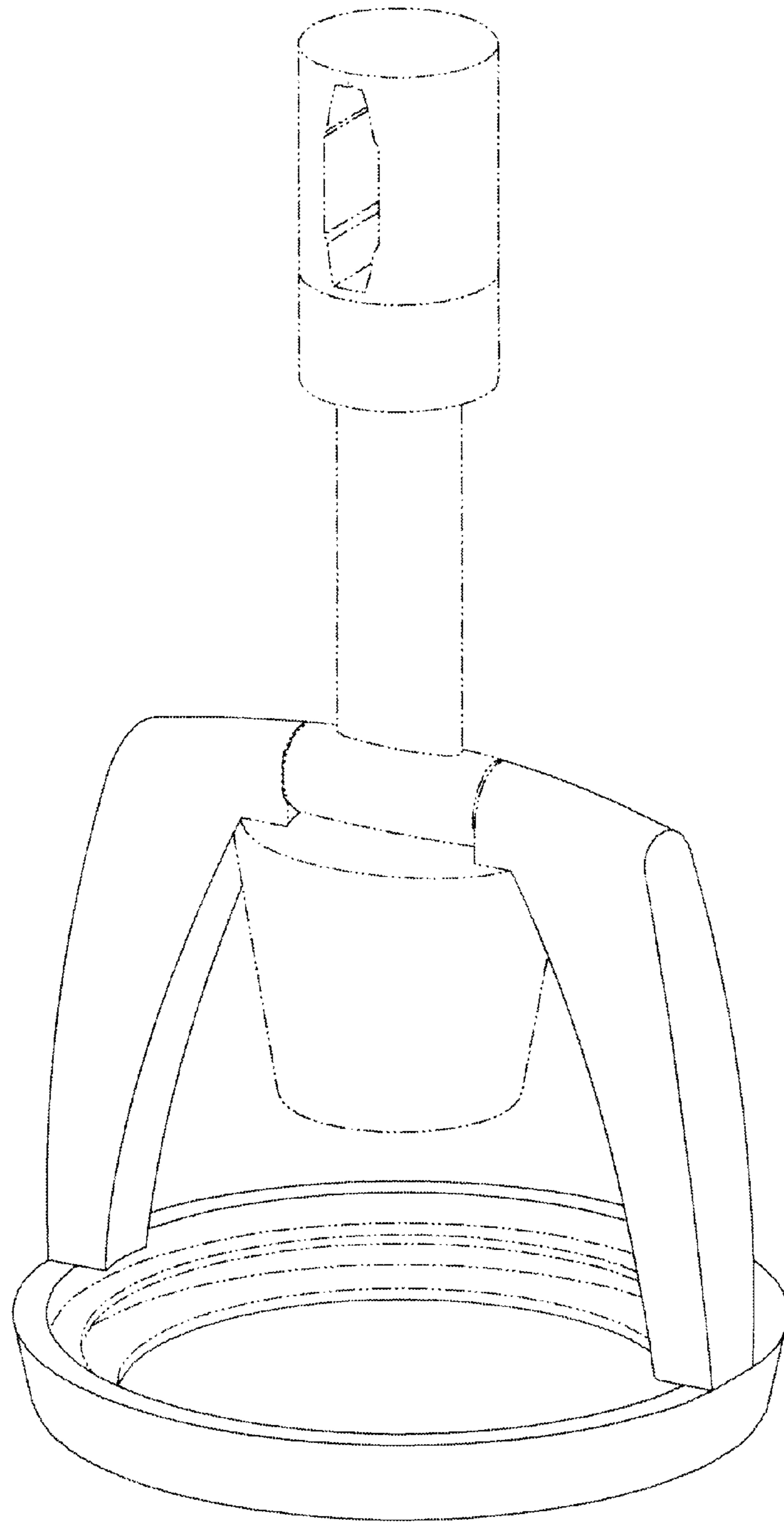


Fig. 7

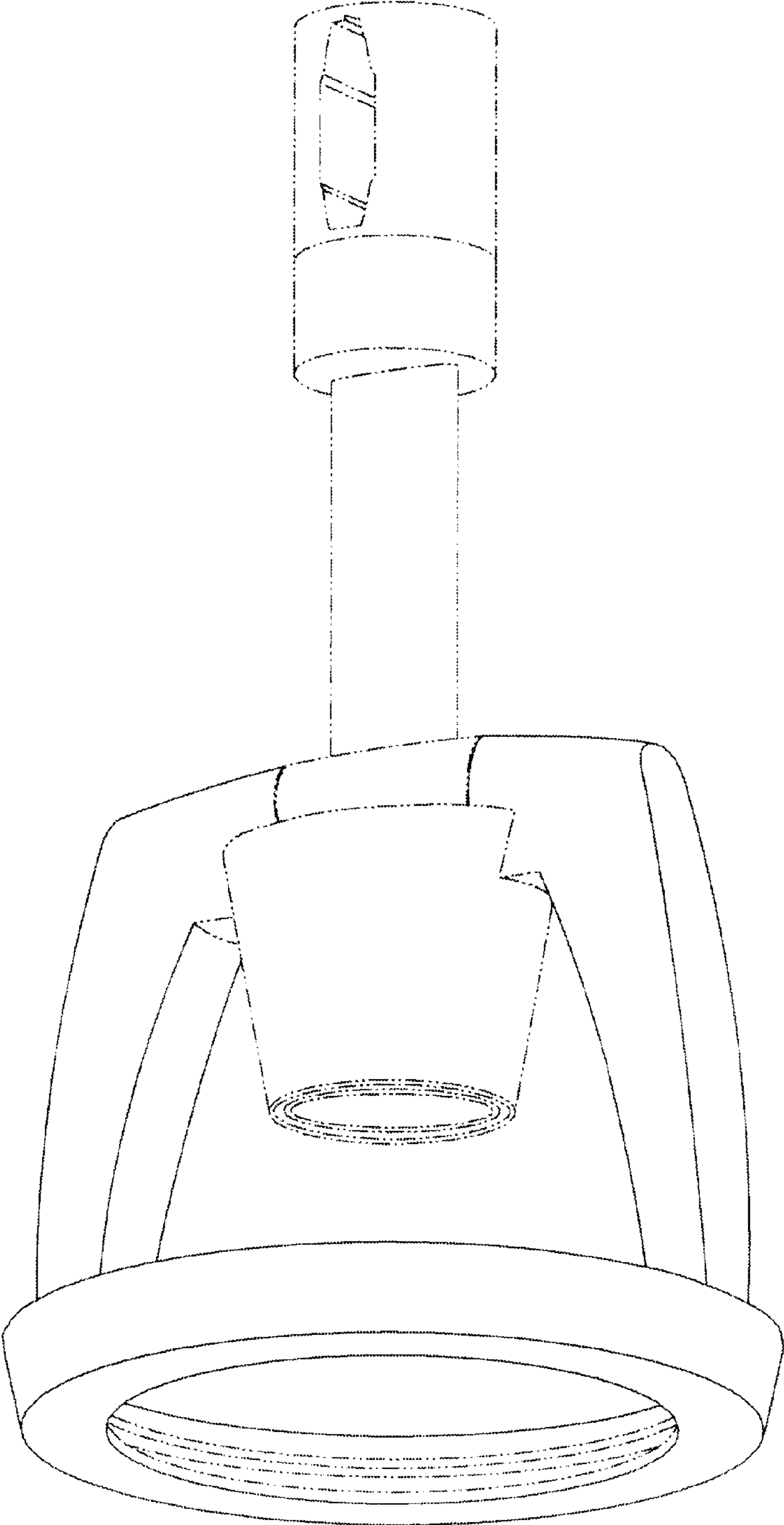


Fig. 8

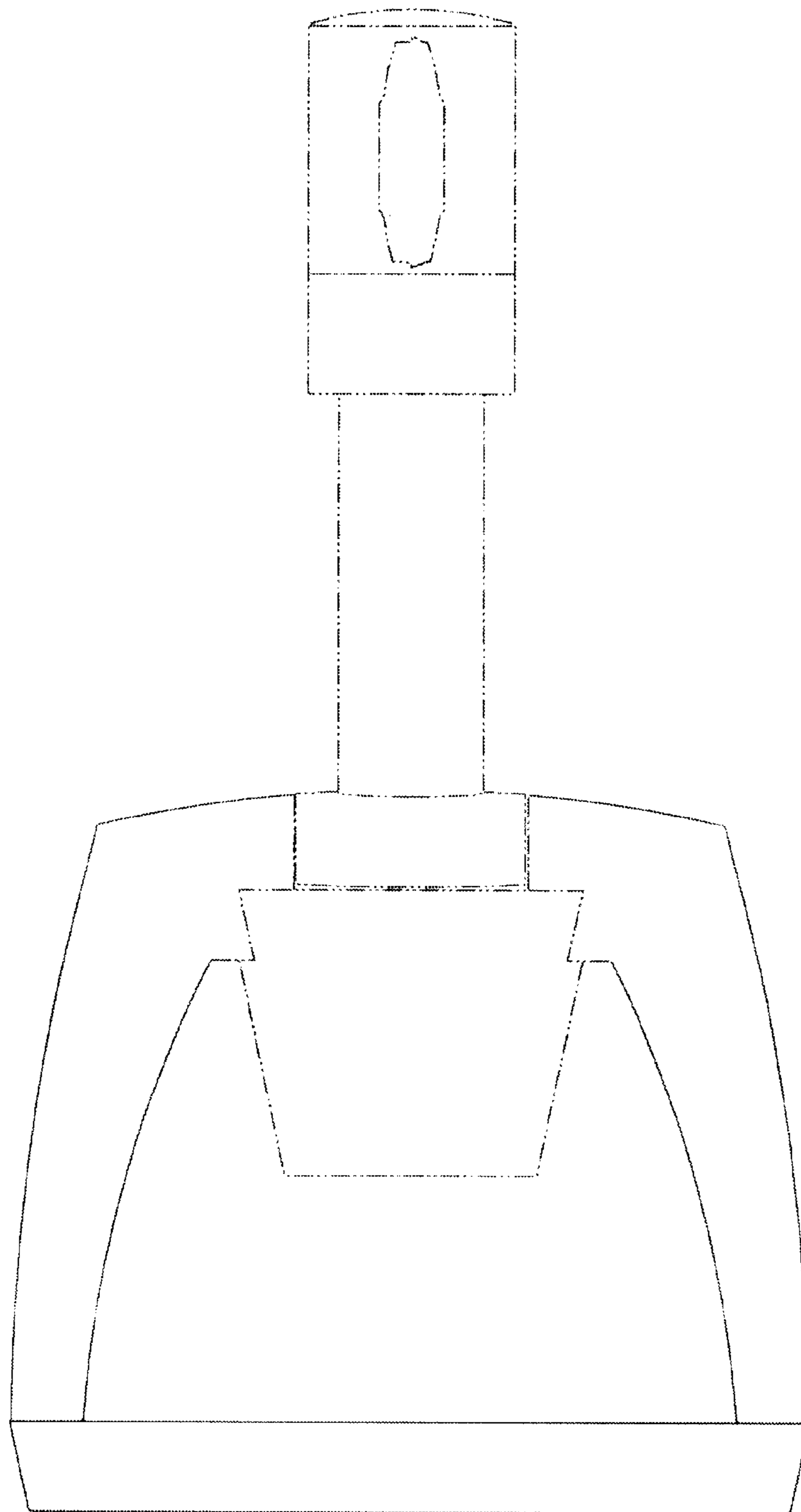


Fig. 9

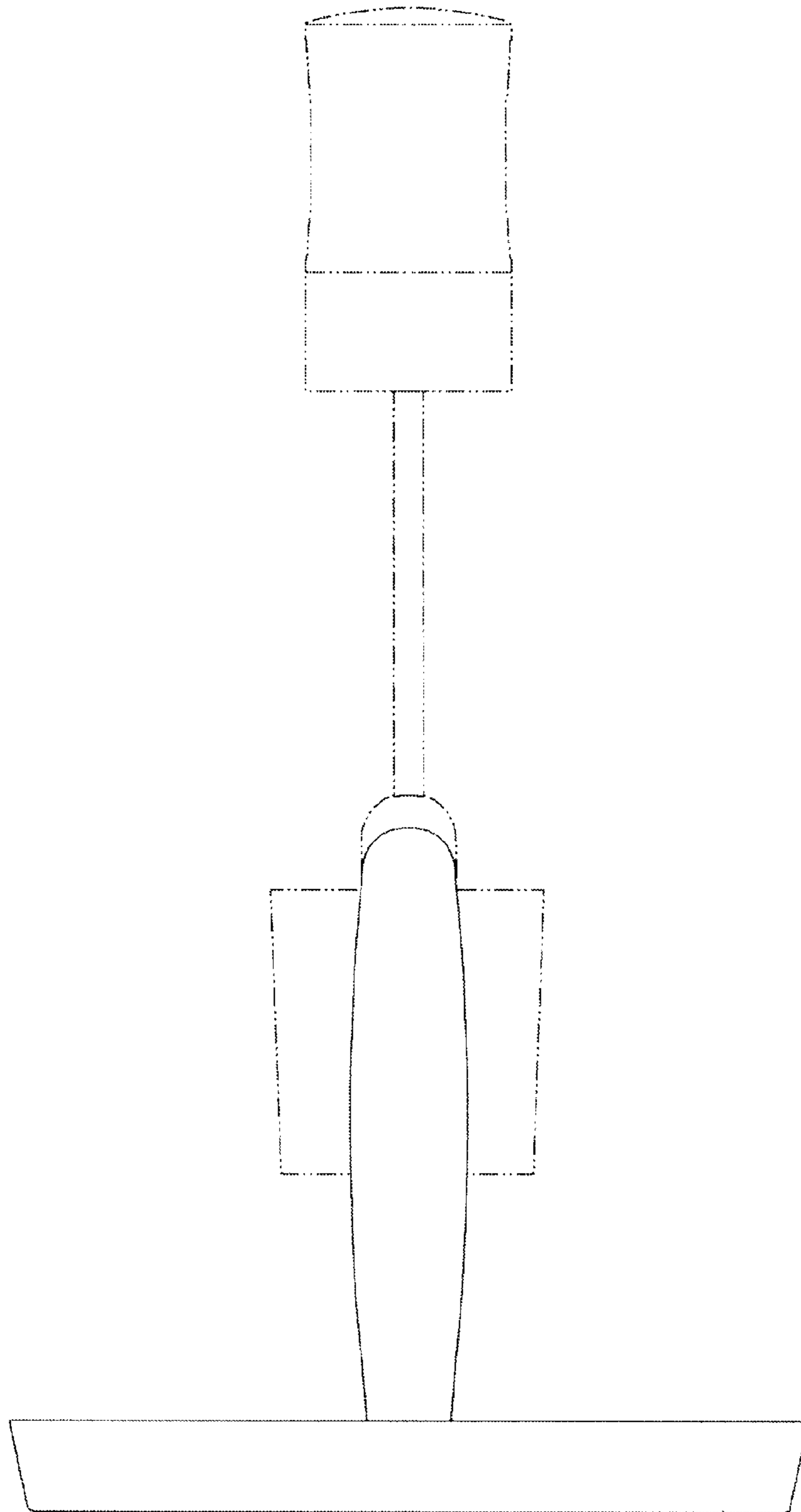


Fig. 10

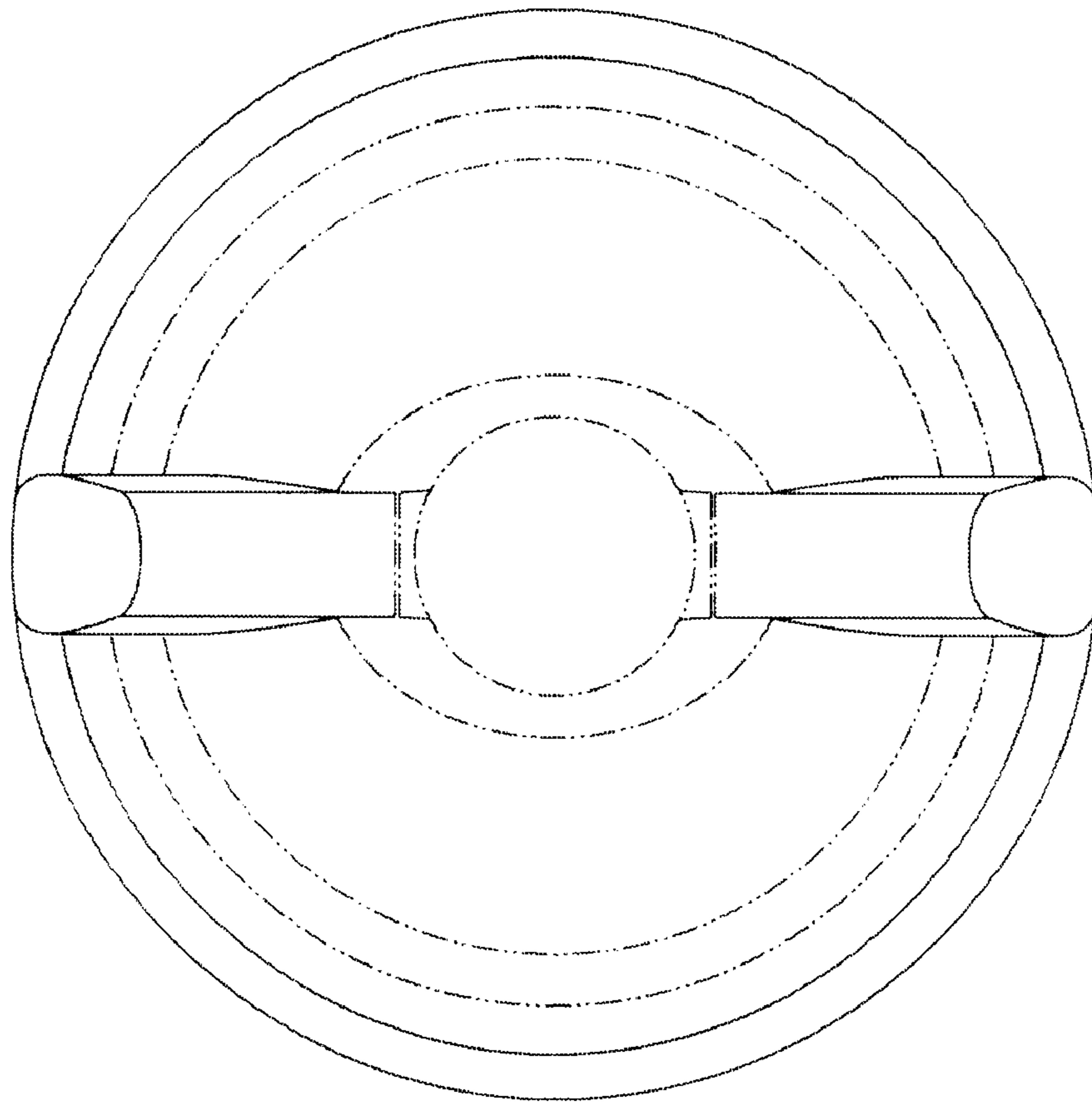


Fig. 11

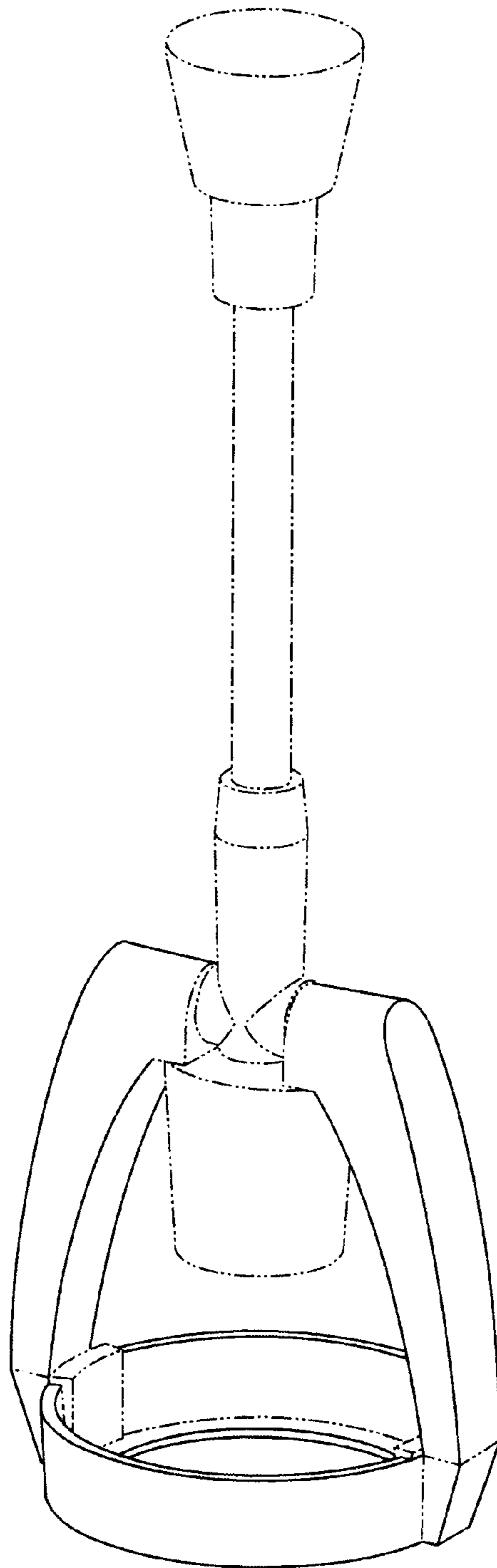


Fig. 12

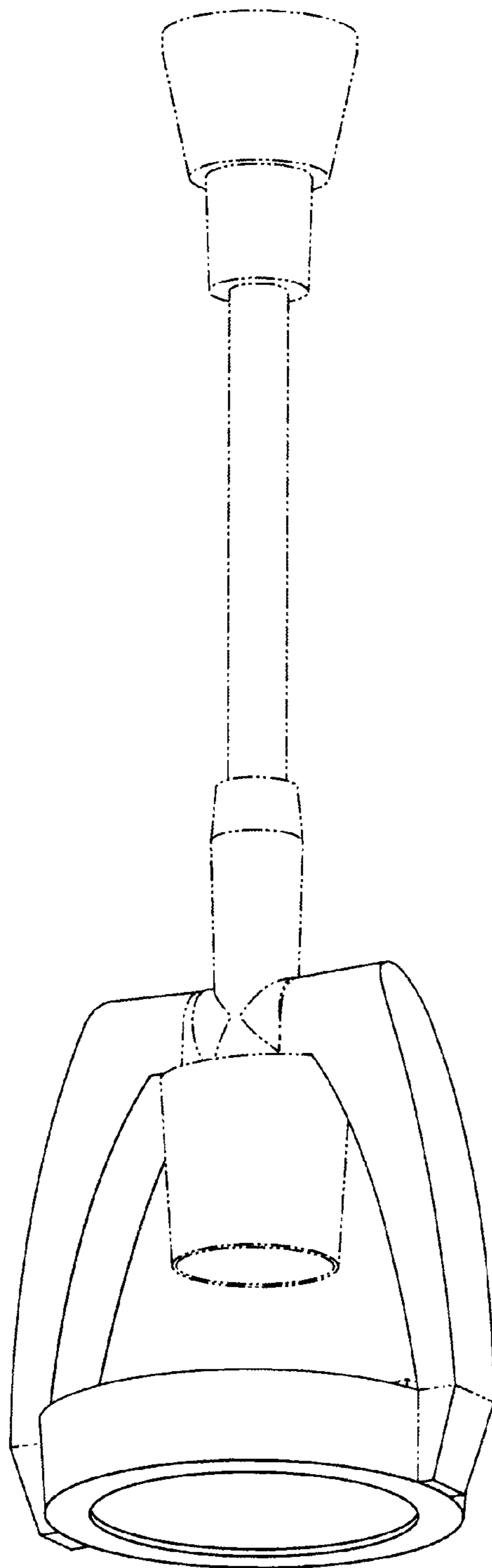


Fig. 13