

US00D538961S

(12) **United States Design Patent**
Mier-Langner et al.

(10) **Patent No.:** **US D538,961 S**
(45) **Date of Patent:** **** Mar. 20, 2007**

(54) **TRACK LIGHT FIXTURE**

2002/0064049 A1 * 5/2002 Layne et al. 362/404
2006/0039168 A1 * 2/2006 Mier-Langner et al. 362/648

(75) Inventors: **Alejandro Mier-Langner**, Providence, RI (US); **Julia Fishman**, Cranston, RI (US); **James E. Kuchar**, Fall River, MA (US)

OTHER PUBLICATIONS

W.A.C. Aiming Track Head seen in Lamps Plus online catalog on Sep. 1, 2005 at www.lampsplus.com.*

(73) Assignee: **Genlyte Thomas Group LLC**, Louisville, KY (US)

* cited by examiner

(**) Term: **14 Years**

Primary Examiner—Clare E Heflin

(74) *Attorney, Agent, or Firm*—John F. Salazar; Middleton Reutlinger

(21) Appl. No.: **29/235,758**

(57) **CLAIM**

(22) Filed: **Aug. 5, 2005**

The ornamental design for a track light fixture, as shown and described.

(51) **LOC (8) Cl.** **26-05**

(52) **U.S. Cl.** **D26/63; D26/61**

(58) **Field of Classification Search** D26/61,
D26/63–66, 72; 362/147, 265, 277, 278,
362/281, 282, 285, 287, 288, 306, 404, 427,
362/640, 647, 648, 652, 653, 655

DESCRIPTION

See application file for complete search history.

FIG. 1 is a perspective view of the track light fixture of the present invention;

FIG. 2 is a right side view of the design of the present invention;

FIG. 3 is a rear view of the design of the present invention;

FIG. 4 is a front view of the design of the present invention;

FIG. 5 is a top view of the design of the present invention;

FIG. 6 is a bottom view of the design of the present invention; and,

FIG. 7 is a left side view of the design of the present invention.

The broken lines showing environmental structure are for illustrative purposes only and form no part of the claimed design.

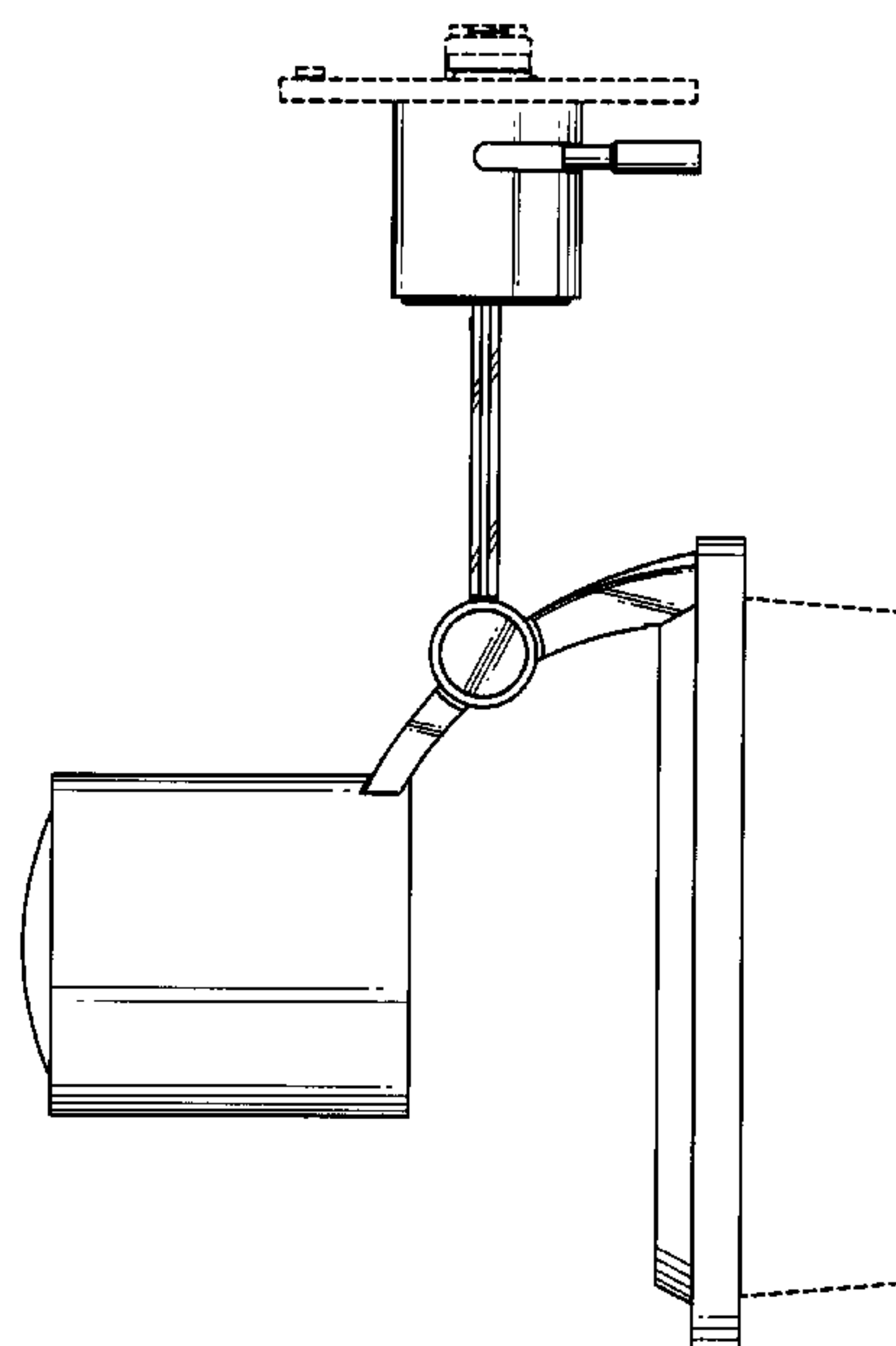
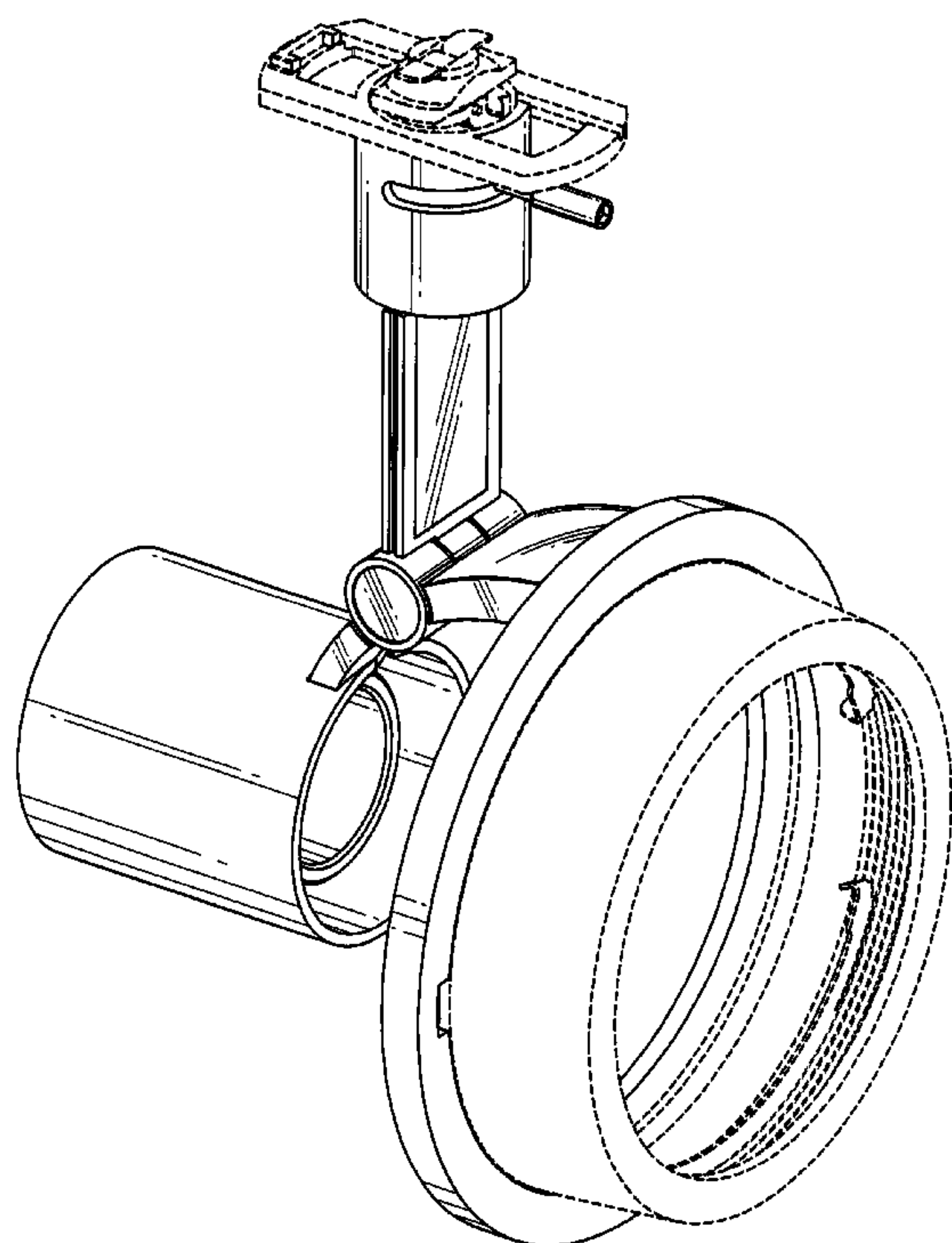
The broken lines showing environmental structure are for illustrative purposes only and form no part of the claimed design.

(56) **References Cited**

U.S. PATENT DOCUMENTS

5,140,507	A	*	8/1992	Harwood	362/271
D354,148	S	*	1/1995	Roos	D26/63
5,548,500	A	*	8/1996	MacKay	362/427
5,788,518	A	*	8/1998	Wachter et al.	439/121
D437,651	S	*	2/2001	Tang	D26/63
6,481,871	B2	*	11/2002	Jamison	362/287
D479,756	S	*	9/2003	Agro et al.	D26/63
6,676,281	B2	*	1/2004	Bray et al.	362/391
6,869,209	B2	*	3/2005	Layne et al.	362/404

1 Claim, 7 Drawing Sheets



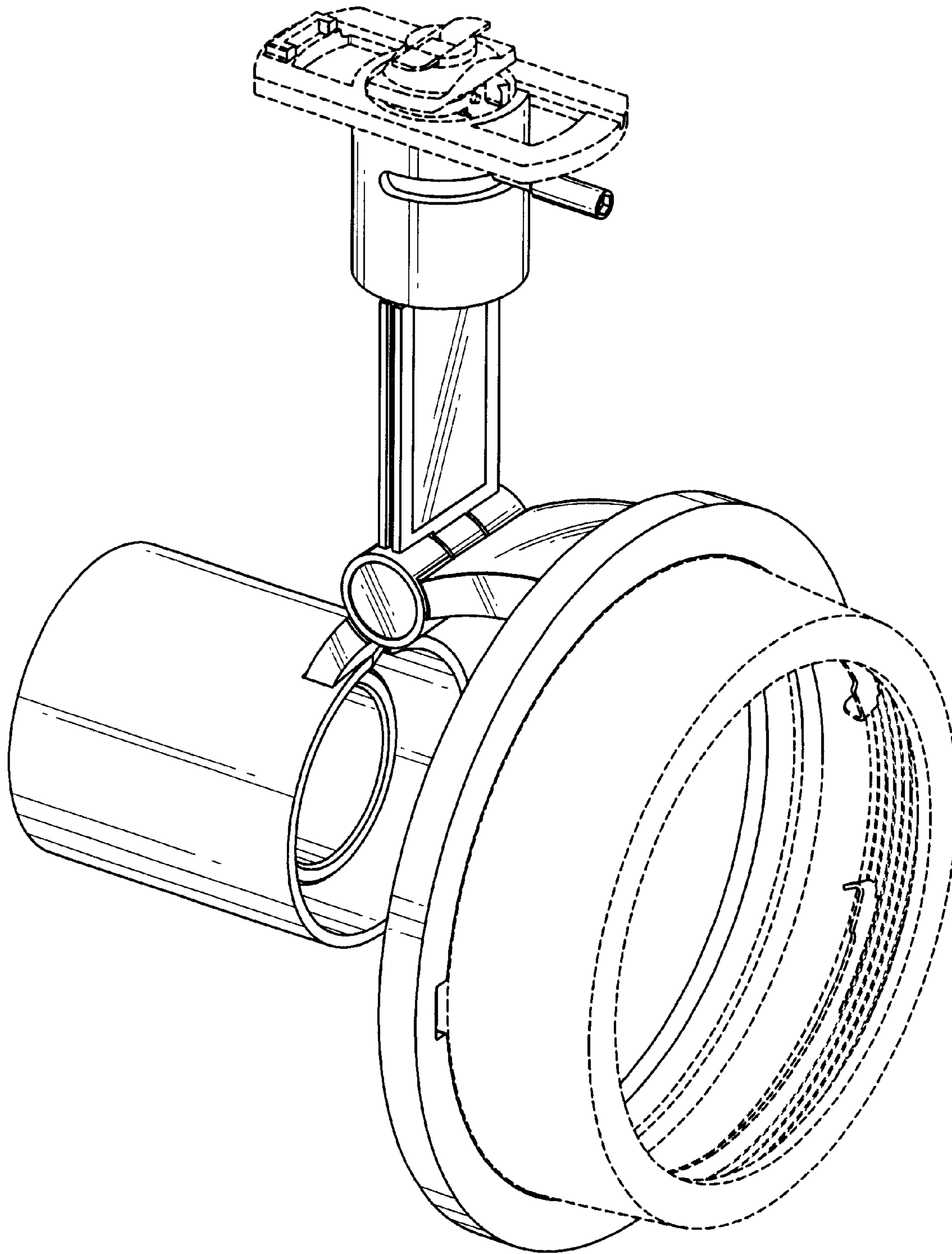


FIG. 1

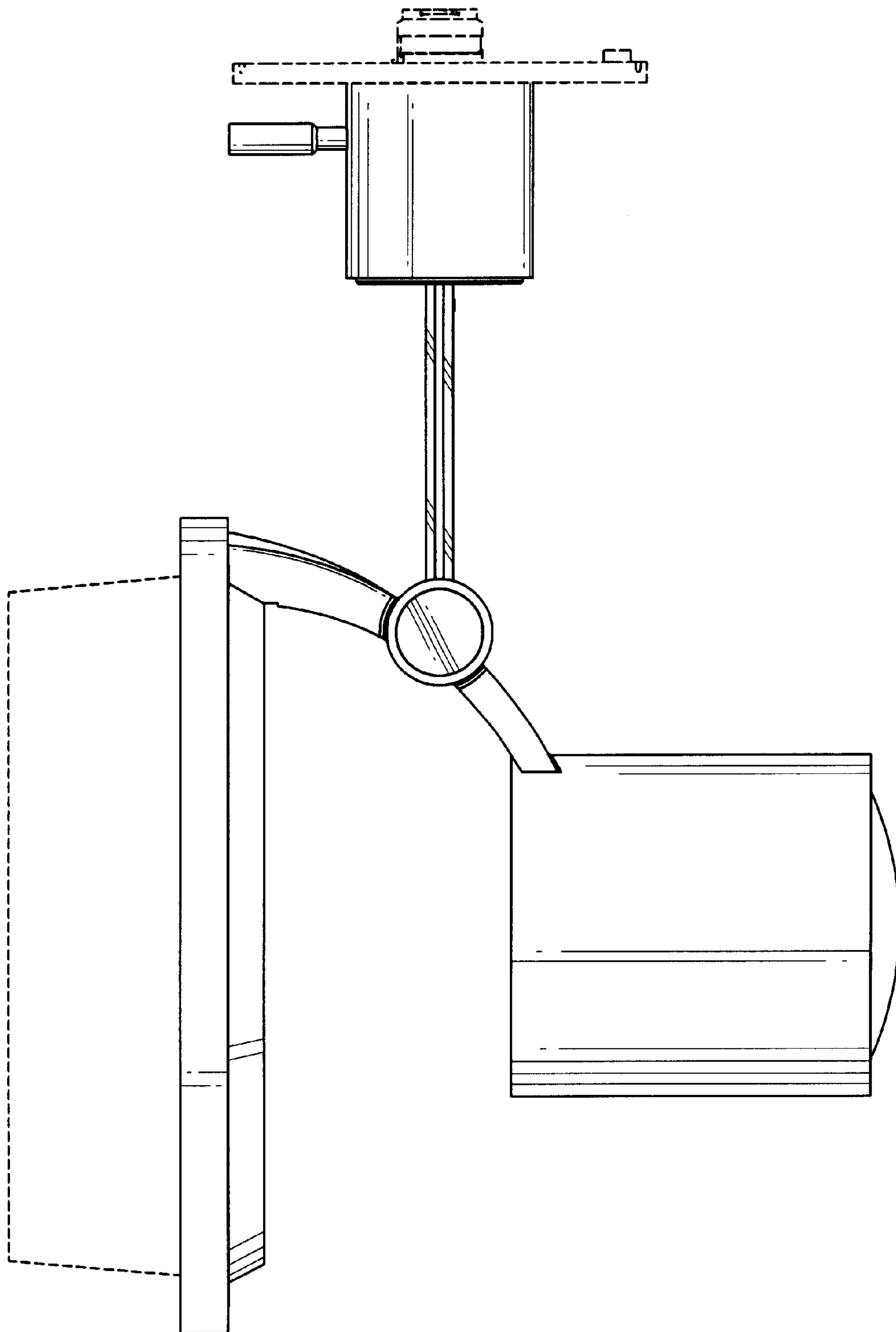


FIG. 2

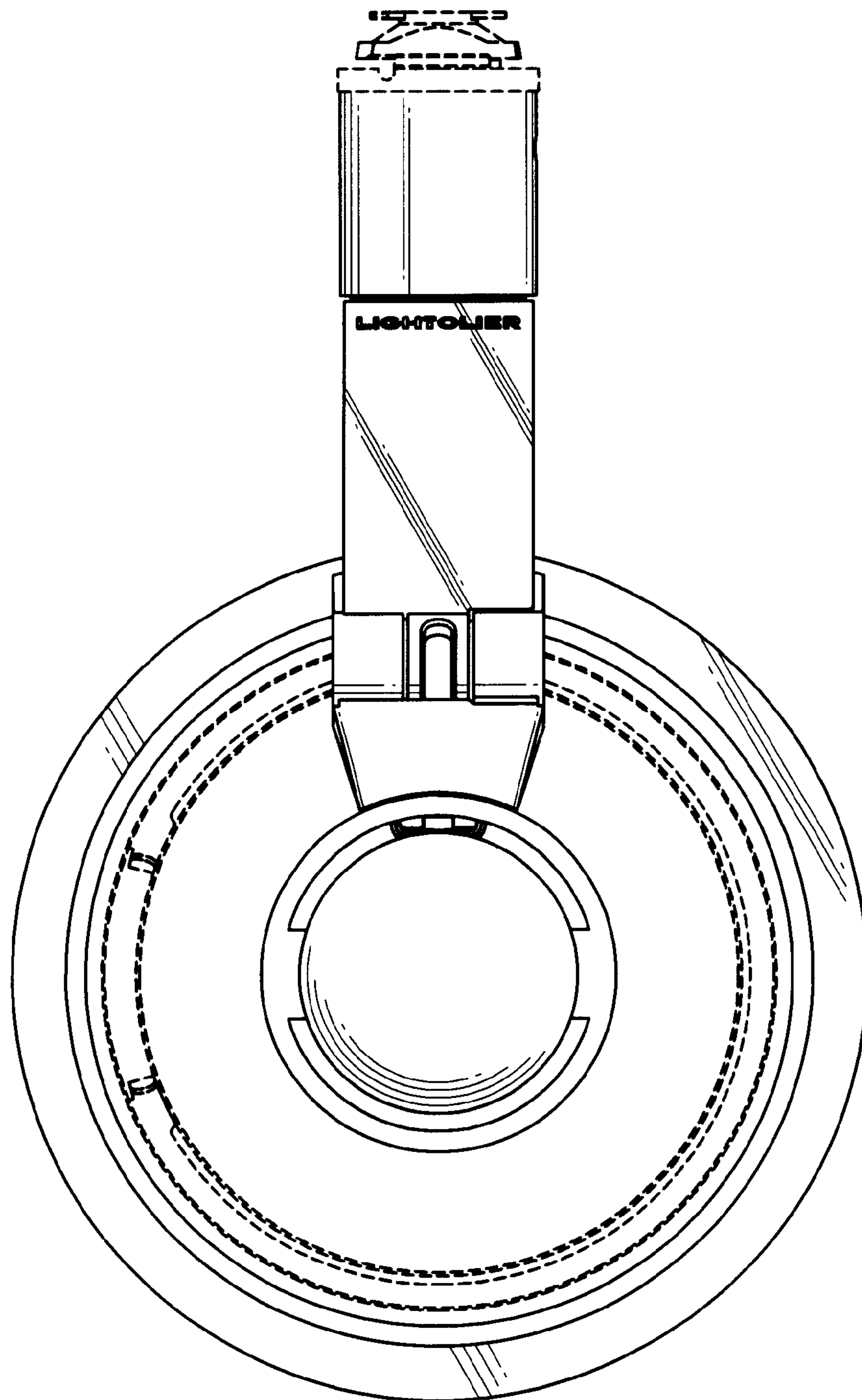


FIG. 3

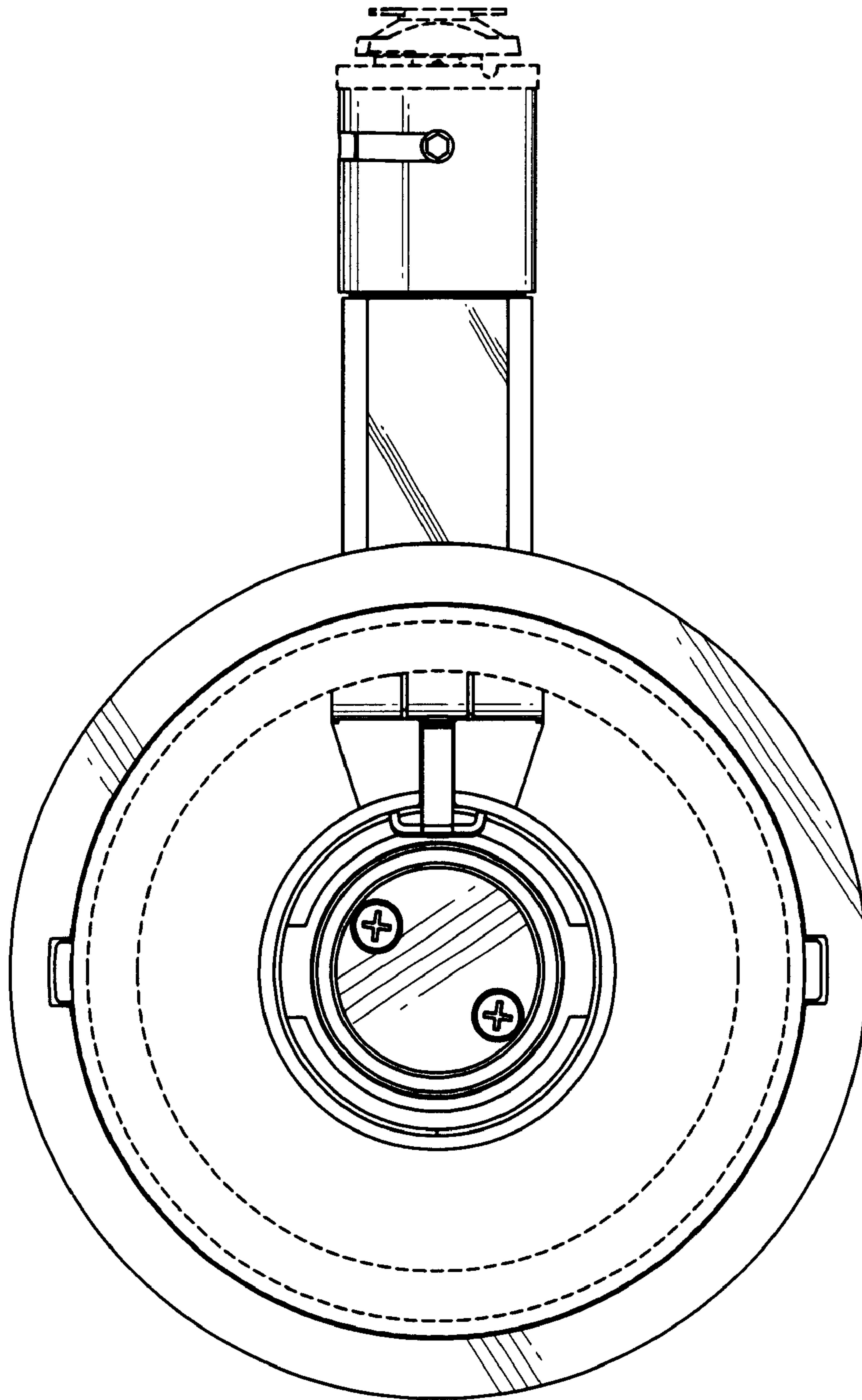


FIG. 4

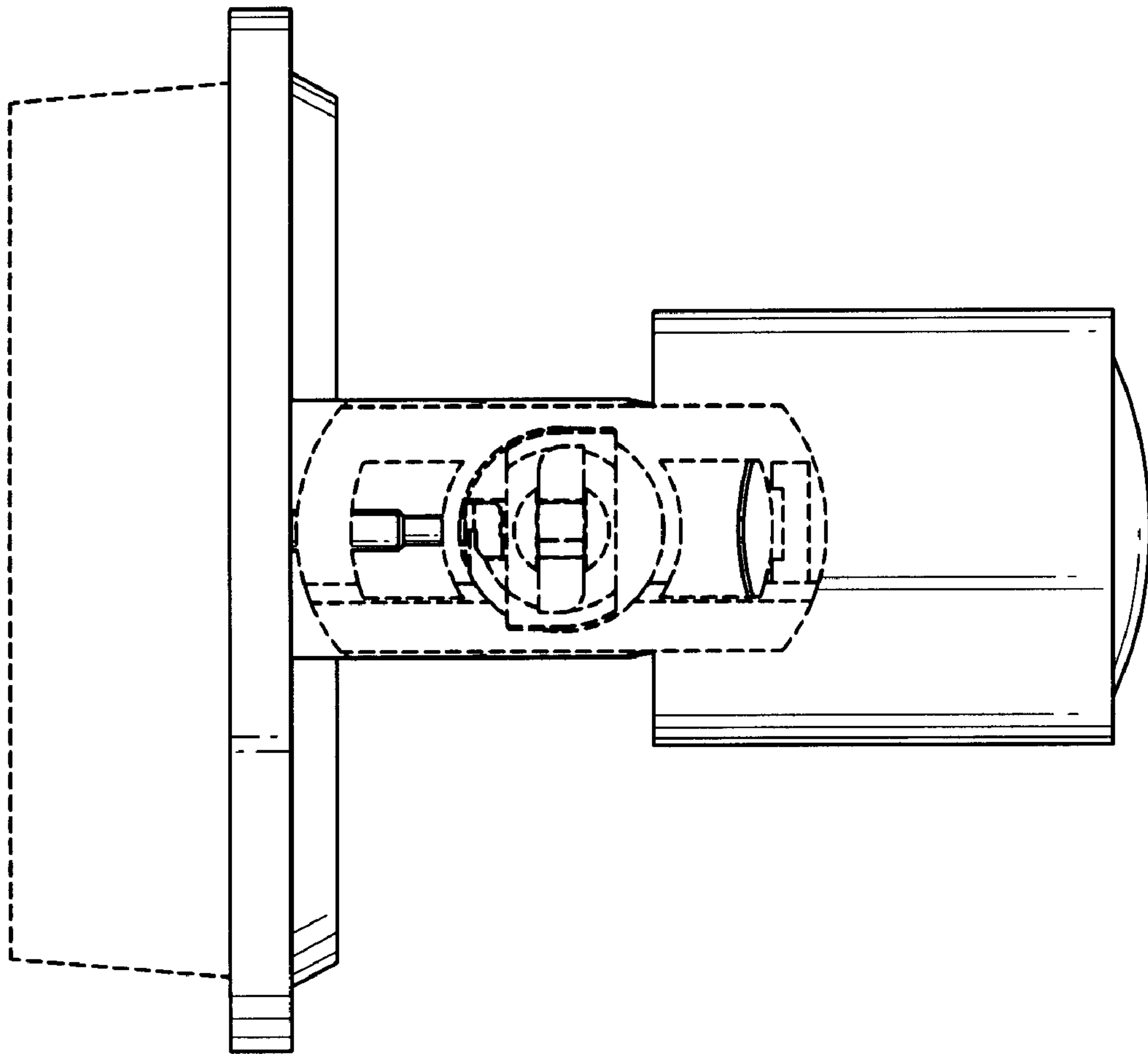


FIG. 5

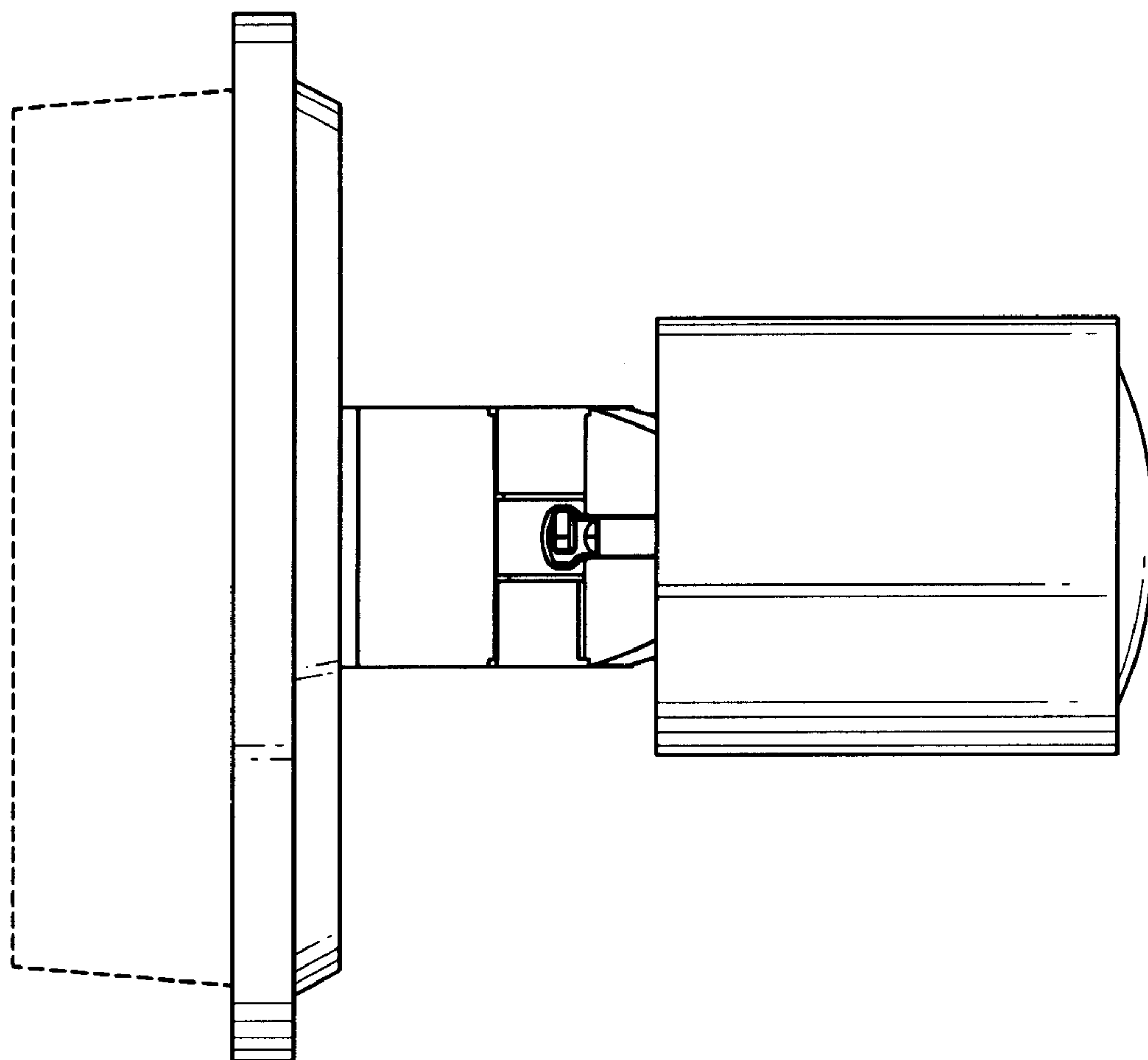


FIG. 6

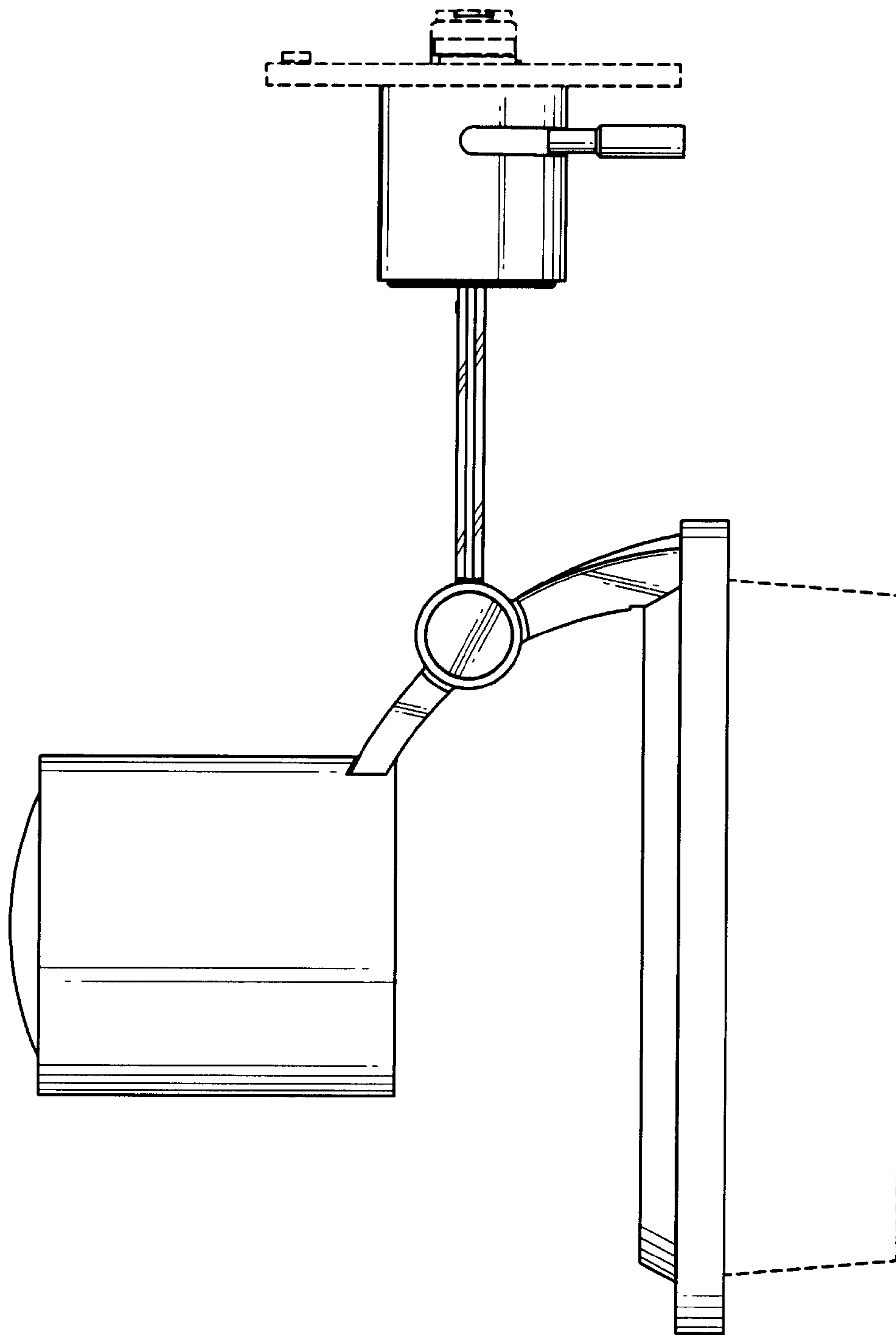


FIG. 7