



US00D538959S

(12) **United States Design Patent**
Kosche

(10) **Patent No.:** **US D538,959 S**

(45) **Date of Patent:** **** Mar. 20, 2007**

(54) **SPOTLIGHT**

(75) Inventor: **Henk Kosche**, Lüdenscheid (DE)

(73) Assignee: **Erco Leuchten GmbH**, Lüdenscheid (DE)

(**) Term: **14 Years**

(21) Appl. No.: **29/199,651**

(22) Filed: **Feb. 18, 2004**

(30) **Foreign Application Priority Data**

Aug. 18, 2003 (EM) 64647

(51) **LOC (8) Cl.** **26-05**

(52) **U.S. Cl.** **D26/63; D26/66**

(58) **Field of Classification Search** D26/63-68,
D26/72, 87, 92; 362/147, 367, 368, 427,
362/430, 431, 432, 267, 269, 281, 285, 287,
362/418, 419, 640, 647, 648, 652, 653, 655
See application file for complete search history.

(56) **References Cited**

U.S. PATENT DOCUMENTS

D231,559 S * 4/1974 Darling et al. D26/63

D239,967 S * 5/1976 Ewing et al. D26/65

4,112,486 A * 9/1978 Tovi 362/419

D315,418 S * 3/1991 Layne D26/63

D315,419 S * 3/1991 Layne D26/63

D335,544 S * 5/1993 Meda et al. D26/63

D342,337 S * 12/1993 Wen D26/63

* cited by examiner

Primary Examiner—Clare E Heflin

(74) *Attorney, Agent, or Firm*—Andrew Wilford

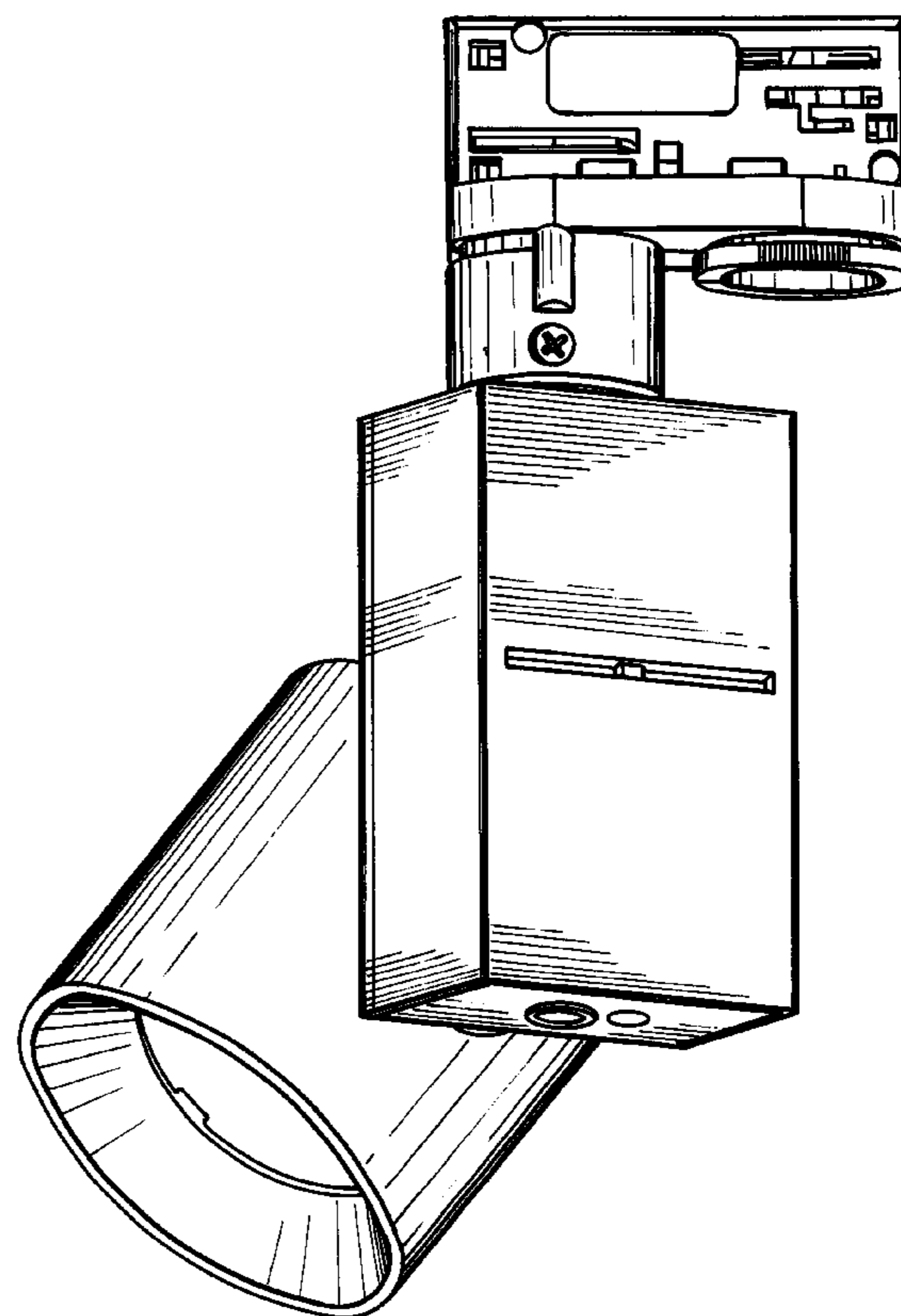
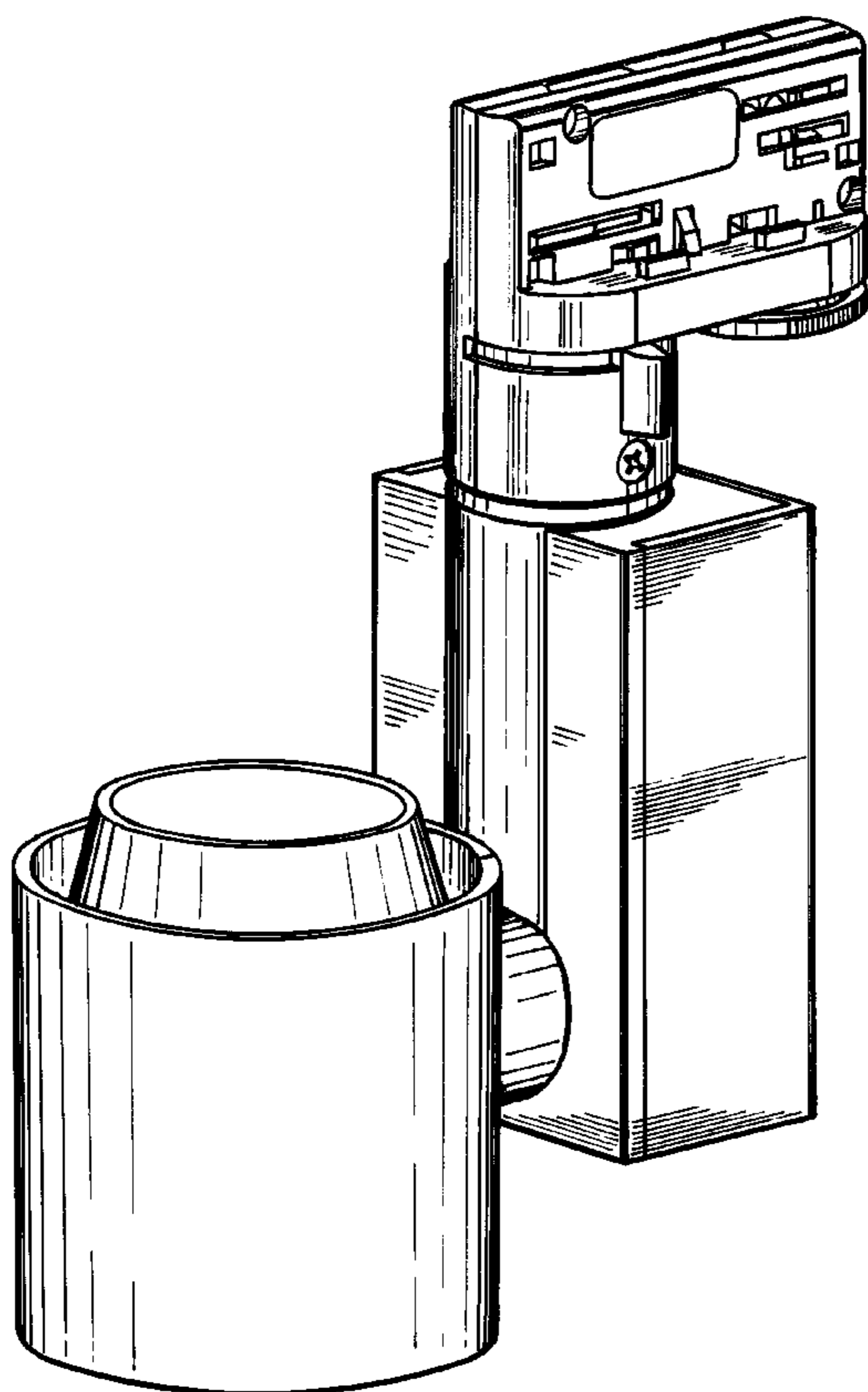
(57) **CLAIM**

The ornamental design for a spotlight, as shown and described.

DESCRIPTION

FIG. 1 is a bottom view thereof;
FIG. 2 is a top plan view thereof;
FIG. 3 is a top front right side perspective view thereof;
FIG. 4 is a right side elevational view thereof, the left side elevation being substantially mirror symmetrical thereof;
FIG. 5 is a right side perspective view with portions rotated from the positions shown in FIG. 4;
FIG. 6 is a rear elevational view thereof; and,
FIG. 7 is another view thereof with portions rotated from the position shown in FIG. 4.

1 Claim, 7 Drawing Sheets



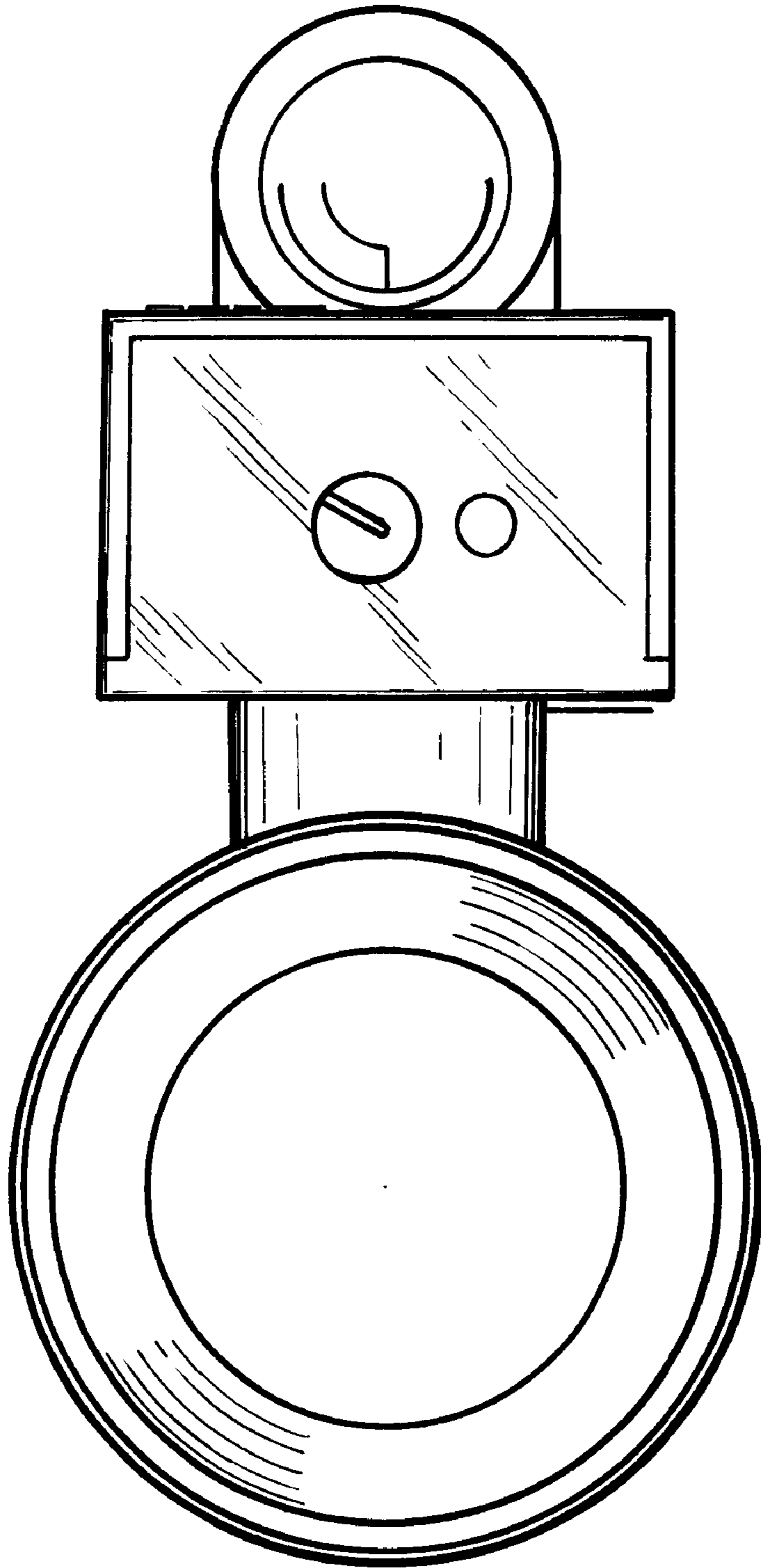


FIG.1

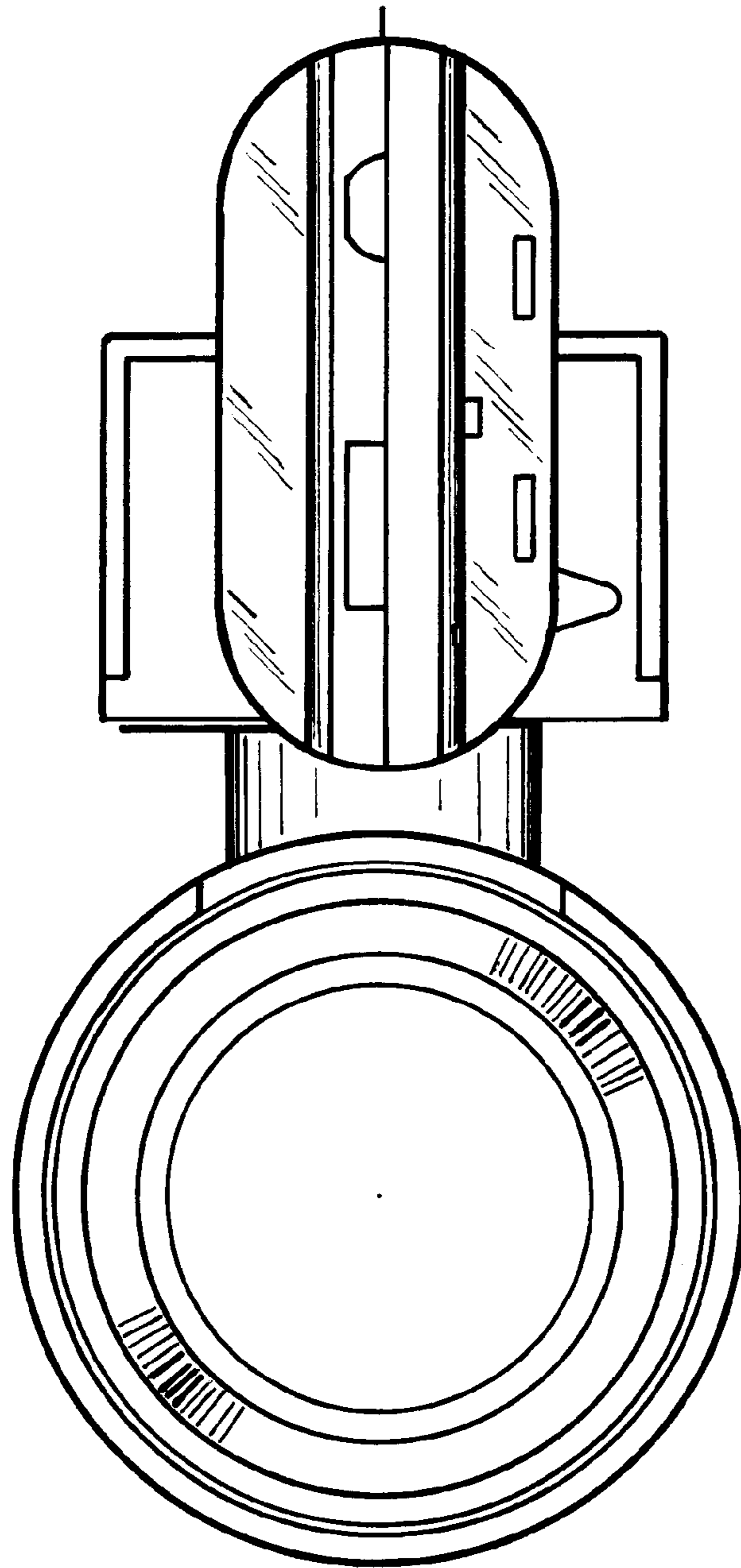


FIG. 2

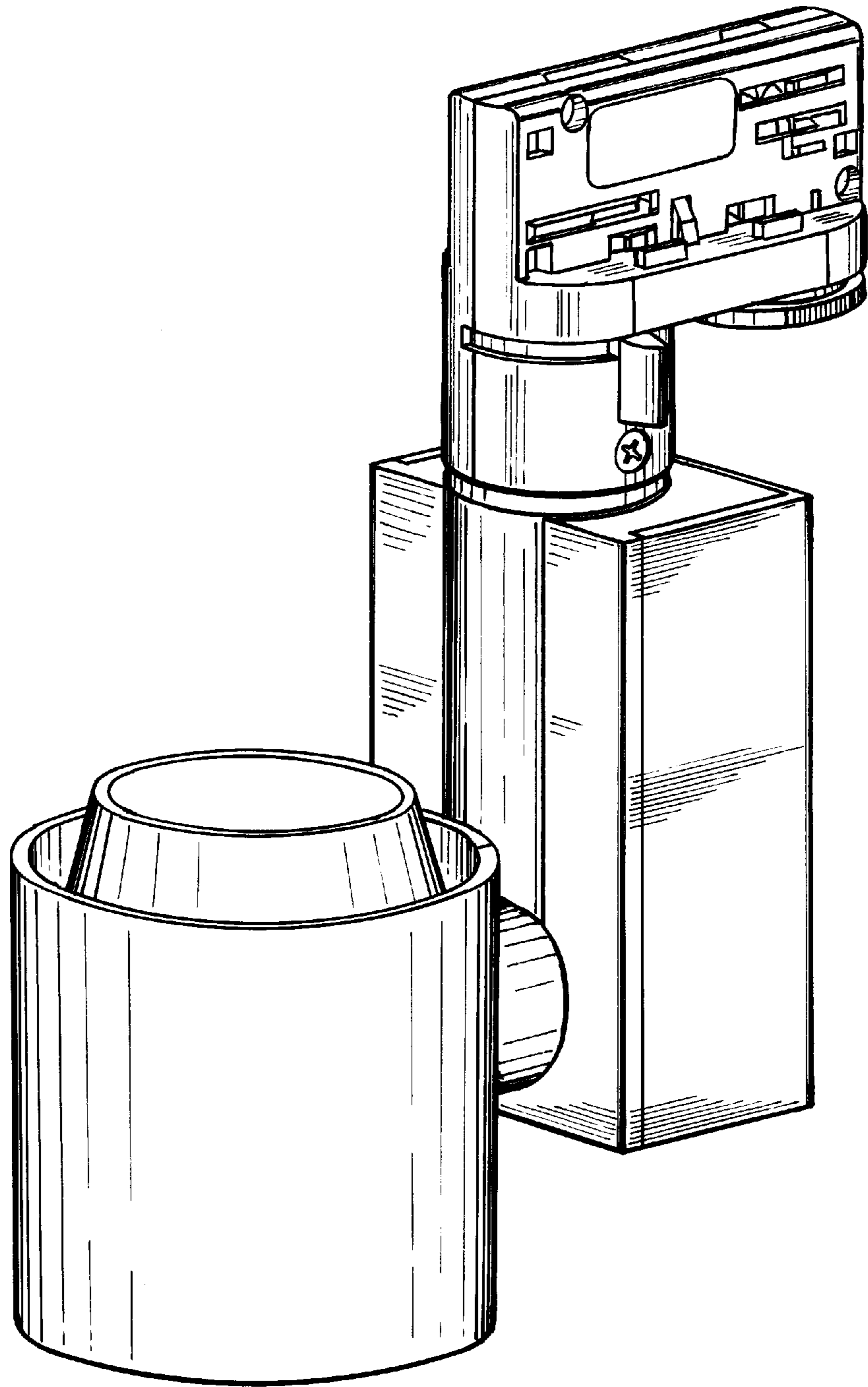


FIG. 3

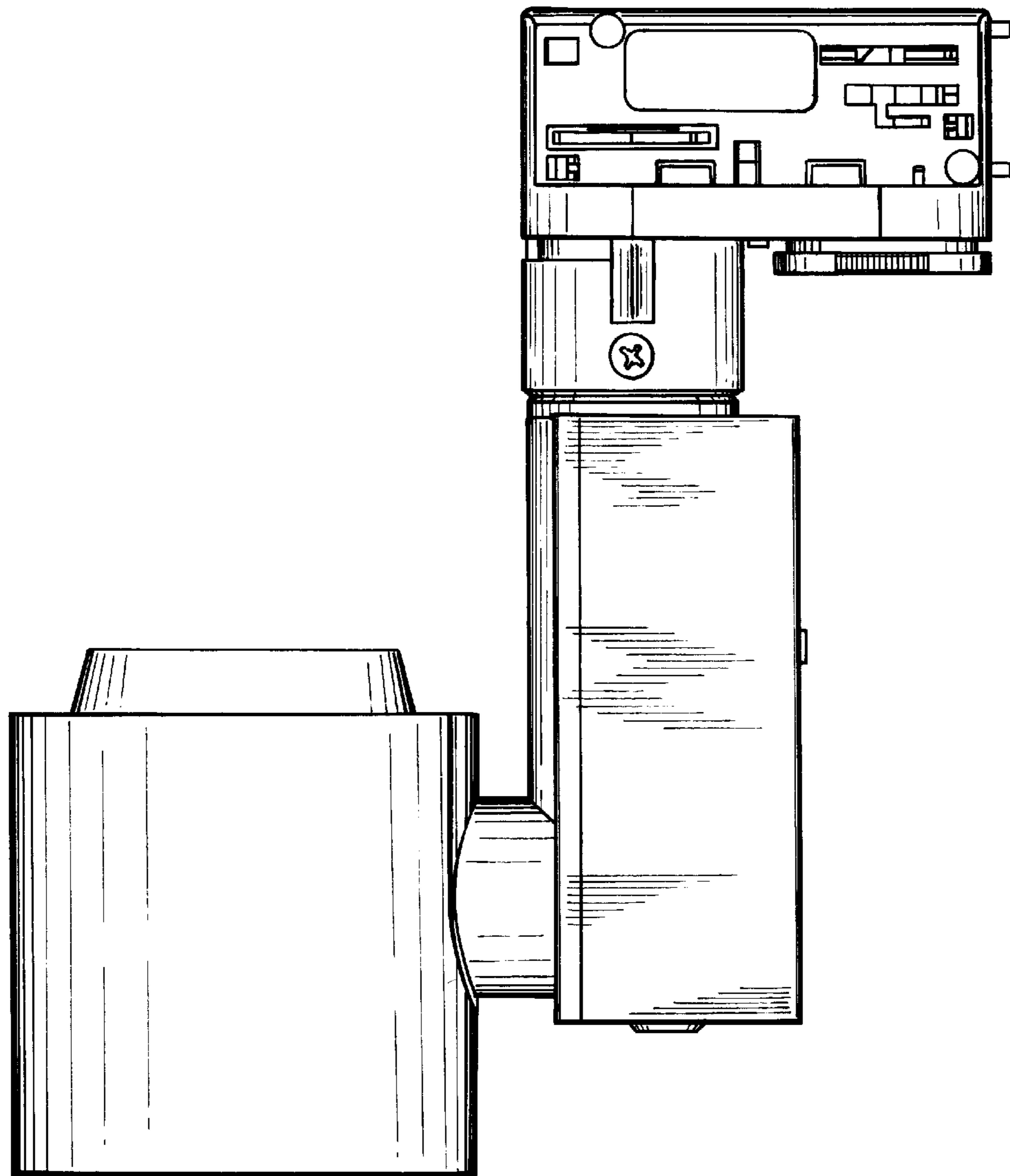


FIG.4

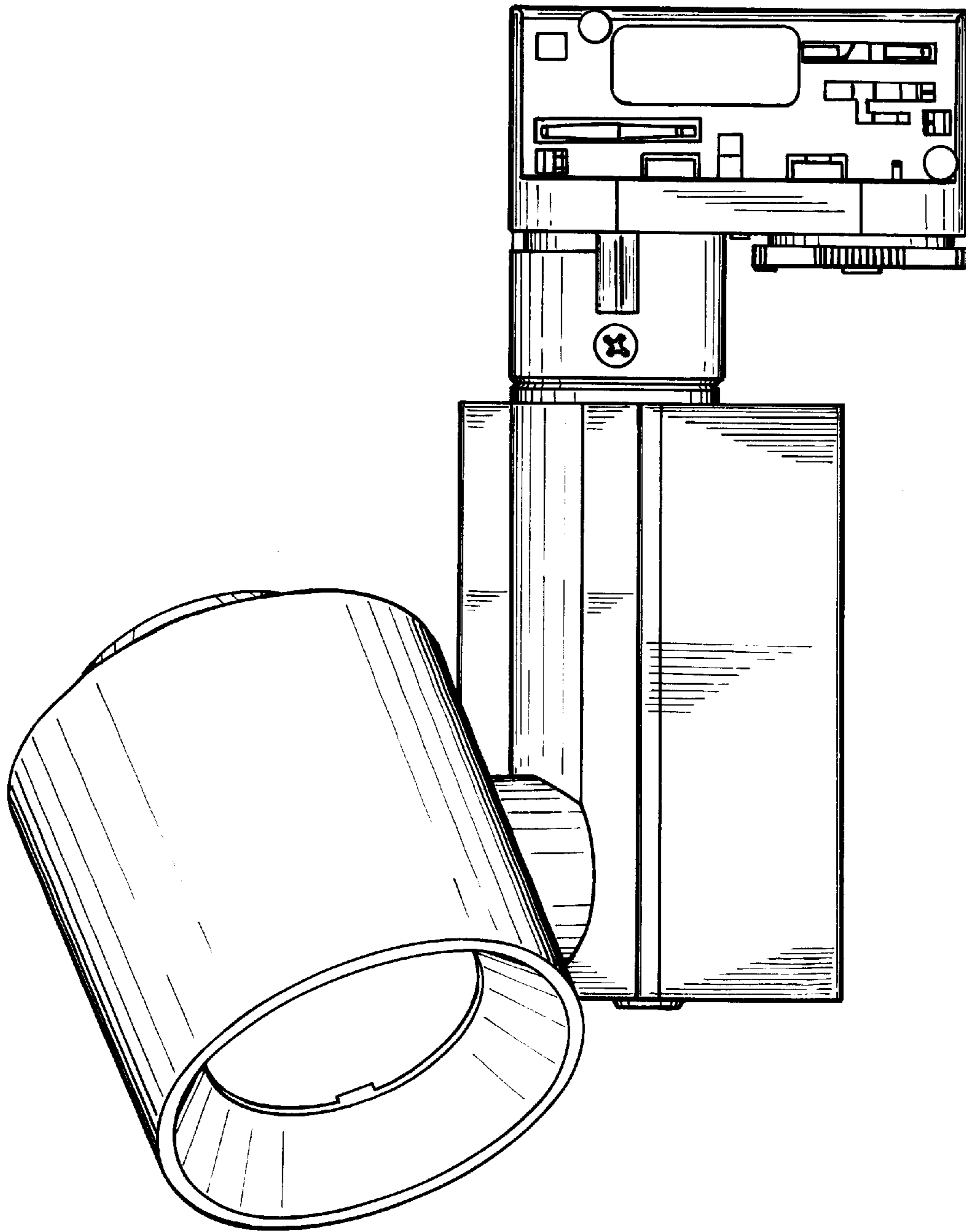


FIG. 5

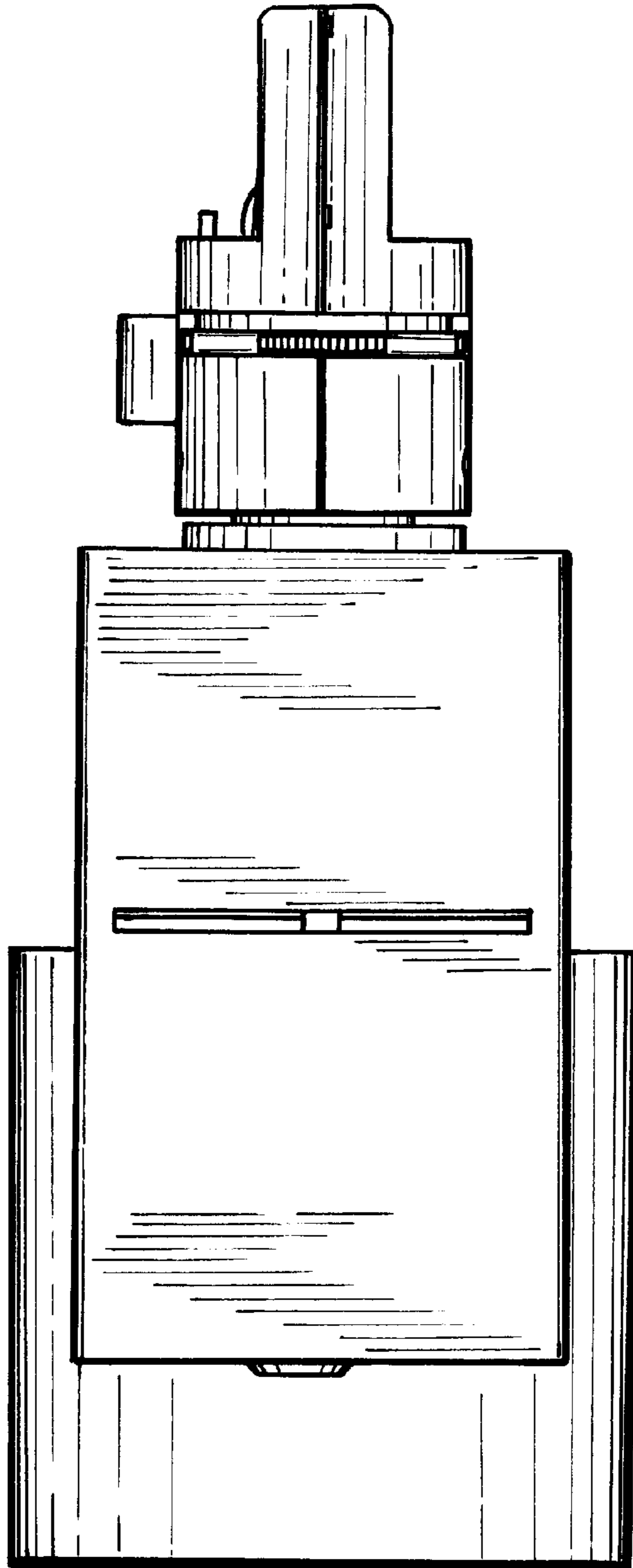


FIG. 6

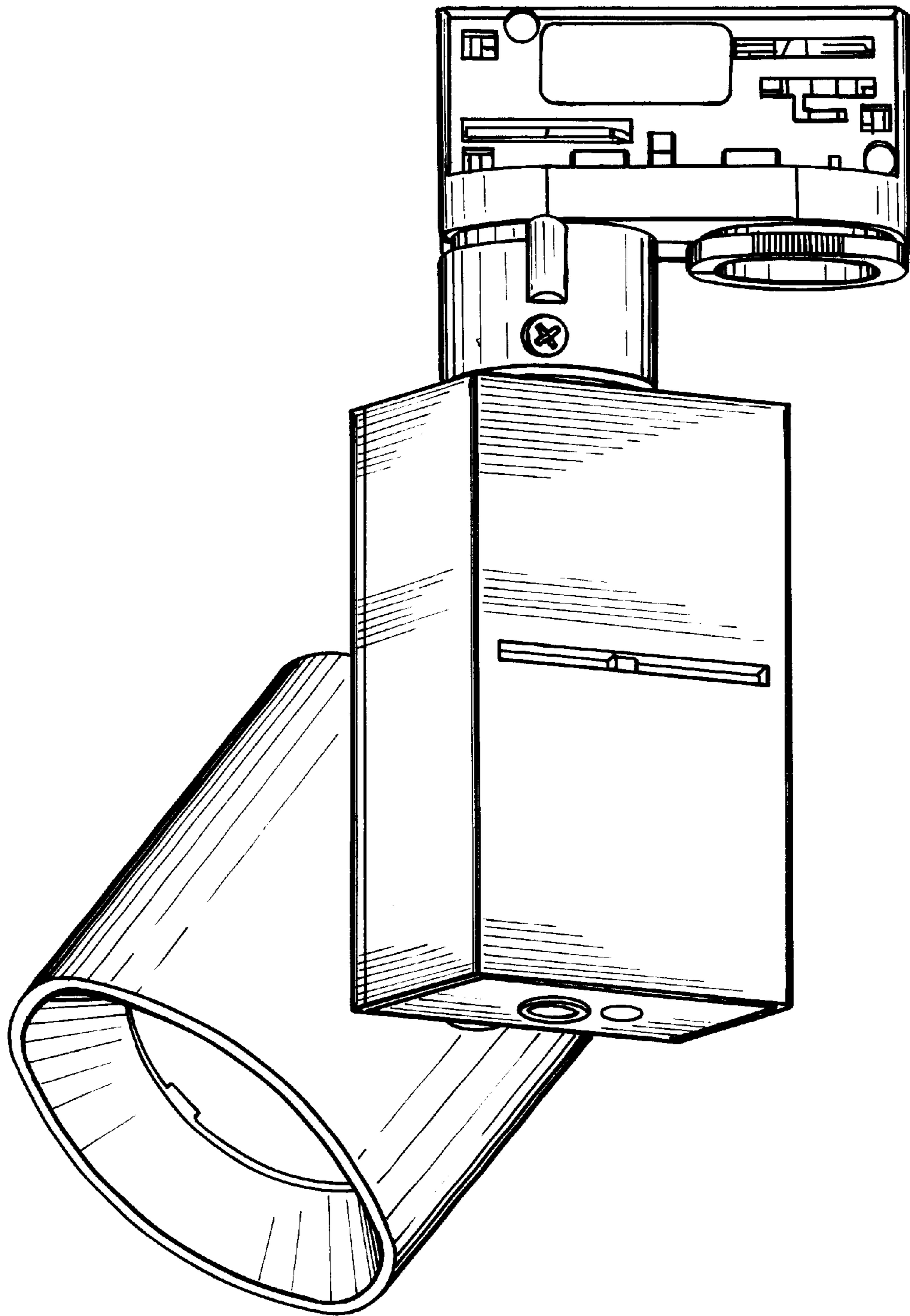


FIG. 7