



US00D538958S

(12) **United States Design Patent**  
**Yuen**

(10) **Patent No.:** **US D538,958 S**

(45) **Date of Patent:** **\*\* Mar. 20, 2007**

(54) **RECHARGEABLE HALOGEN  
SEARCHLIGHT WITH FLUORESCENT AND  
EMERGENCY BLINKING LIGHT**

D514,722 S \* 2/2006 Shen ..... D26/46  
D529,650 S \* 10/2006 Yuen ..... D26/46

\* cited by examiner

(76) Inventor: **Se Kit Yuen**, 6/F, Yau Lee Centre, 45  
Hoi Yuen Road, Kwun Tong, Kowloon  
(HK)

*Primary Examiner*—Marcus A. Jackson

(74) *Attorney, Agent, or Firm*—Akerman Senterfitt

(\*\*) Term: **14 Years**

(57) **CLAIM**

The ornamental design of a rechargeable halogen searchlight with fluorescent and emergency blinking light, as shown and described.

(21) Appl. No.: **29/255,158**

(22) Filed: **Mar. 3, 2006**

**DESCRIPTION**

(51) **LOC (8) Cl.** ..... **26-02**

(52) **U.S. Cl.** ..... **D26/46**

(58) **Field of Classification Search** ..... D26/37-50;  
362/157, 158, 171-174, 183-208  
See application file for complete search history.

FIG. 1 is a front, top and right side perspective view of the rechargeable halogen searchlight with fluorescent and emergency blinking light;

FIG. 2 is a rear, bottom and left side view thereof;

FIG. 3 is a front view thereof;

FIG. 4 is a rear view thereof;

FIG. 5 is a right side view thereof;

FIG. 6 is a left side view thereof

FIG. 7 is a top view thereof; and,

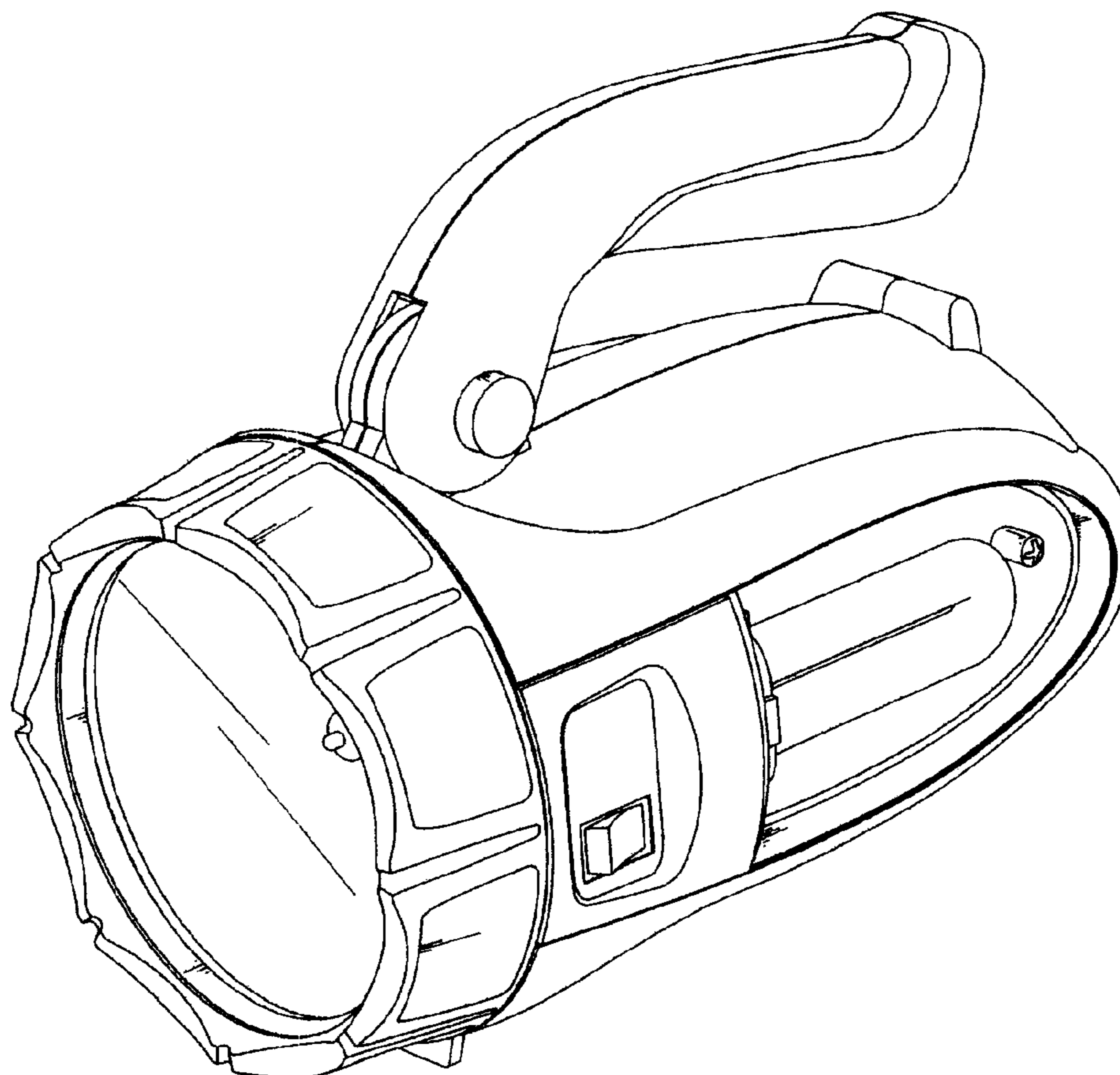
FIG. 8 is a bottom view thereof.

(56) **References Cited**

U.S. PATENT DOCUMENTS

D430,323 S \* 8/2000 Yuen ..... D26/46  
D446,872 S \* 8/2001 Crescenzi et al. .... D26/46  
D494,297 S \* 8/2004 Yuen ..... D26/46

**1 Claim, 4 Drawing Sheets**



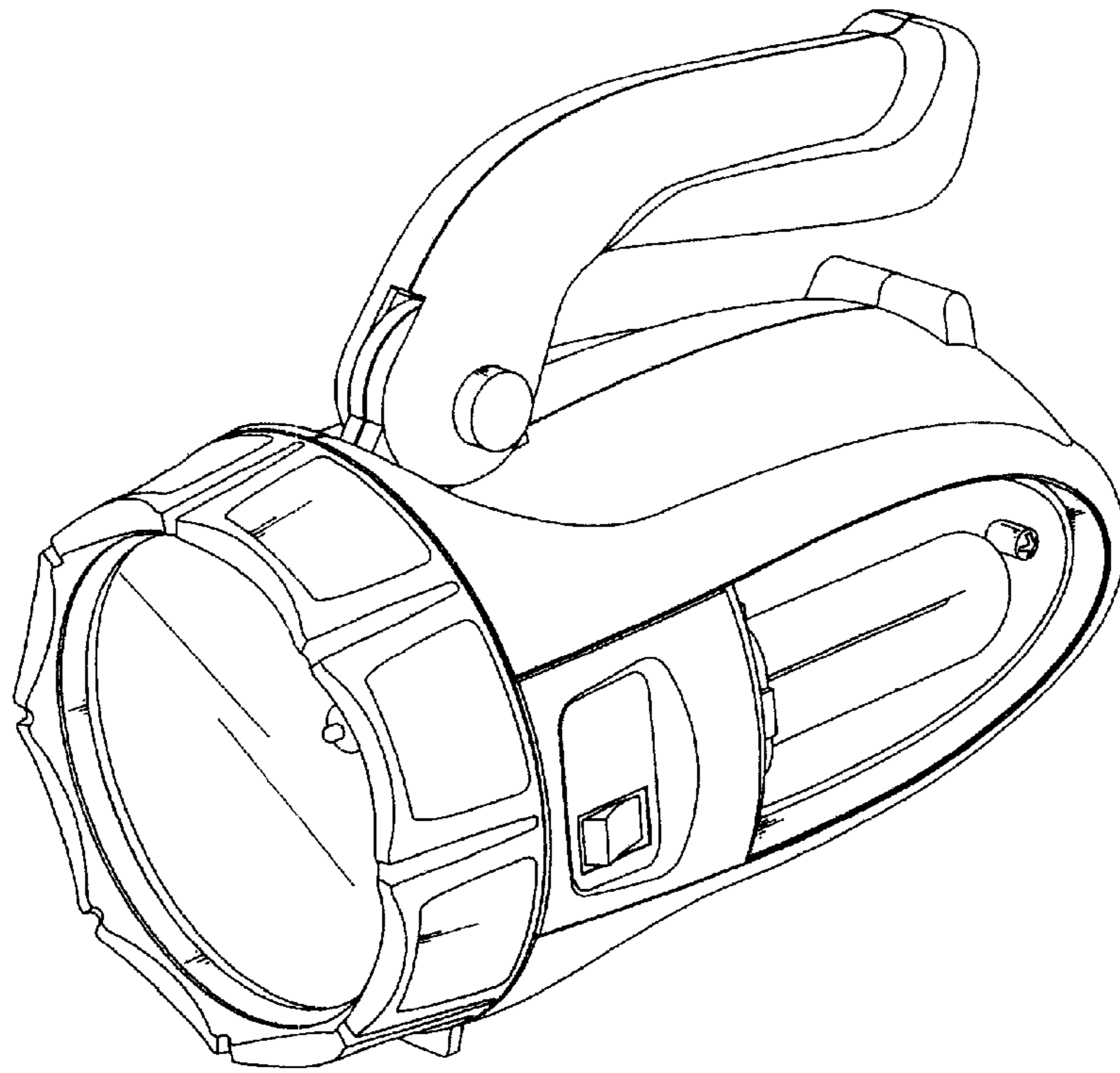


FIG. 1

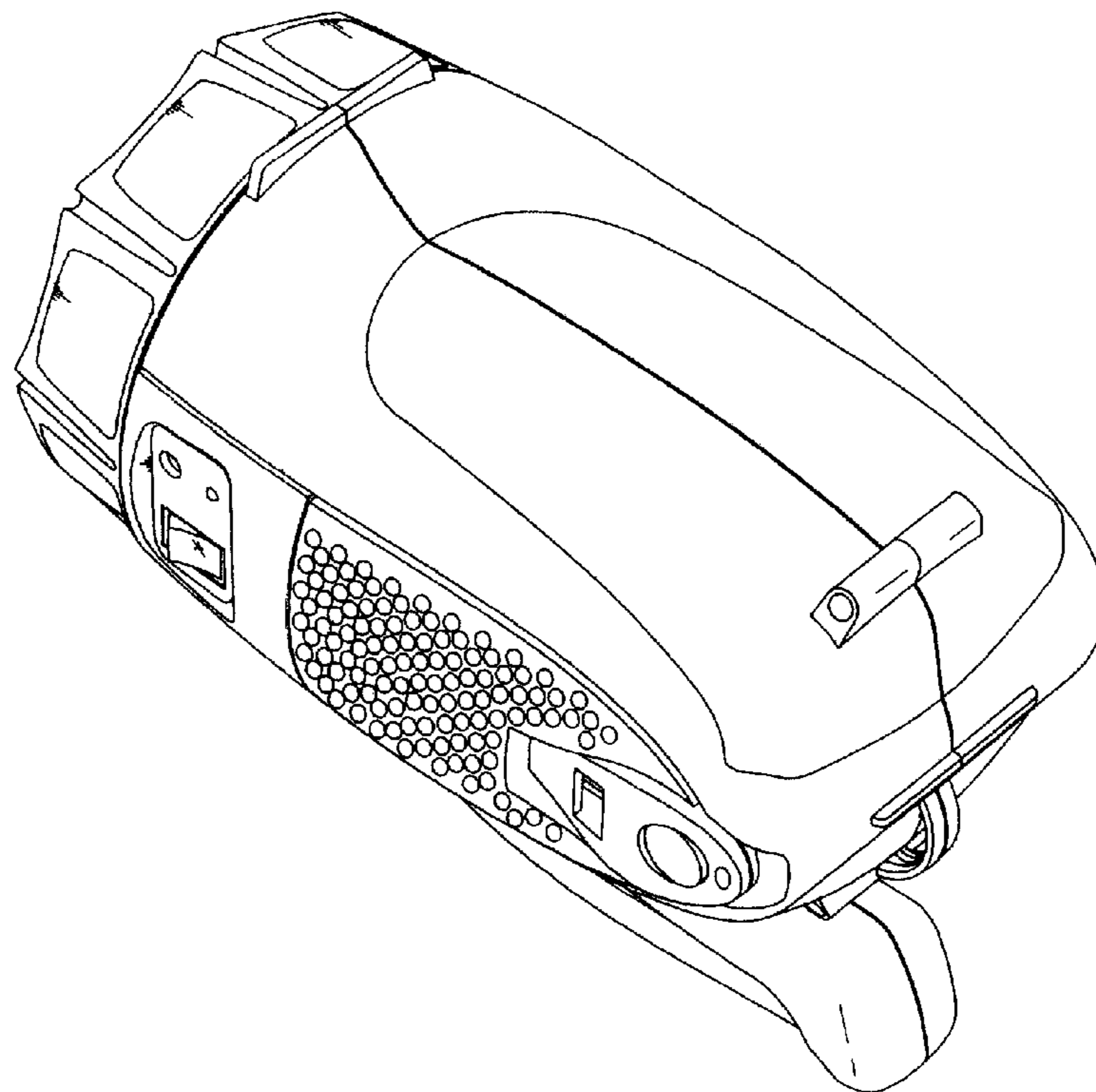


FIG. 2

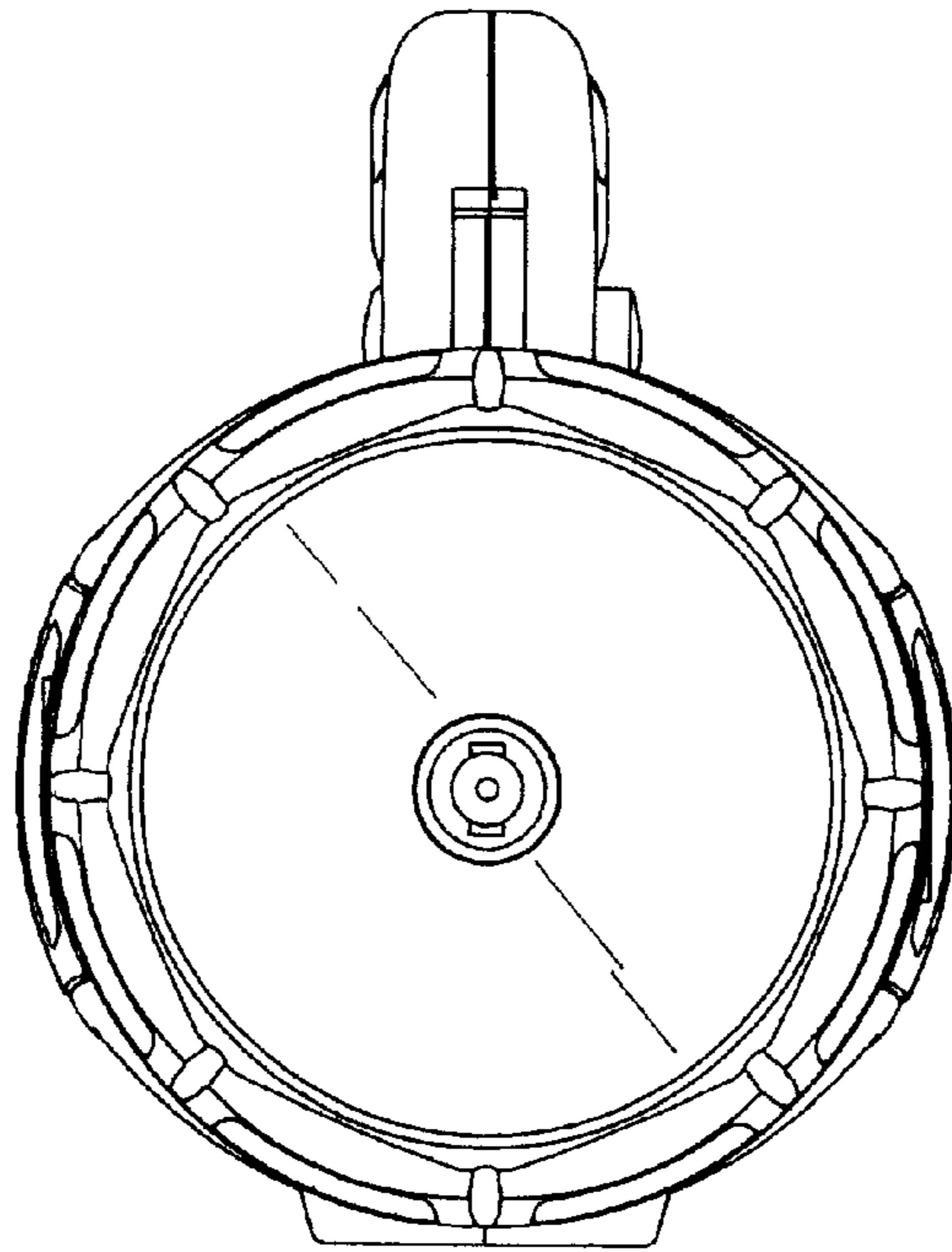


FIG. 3

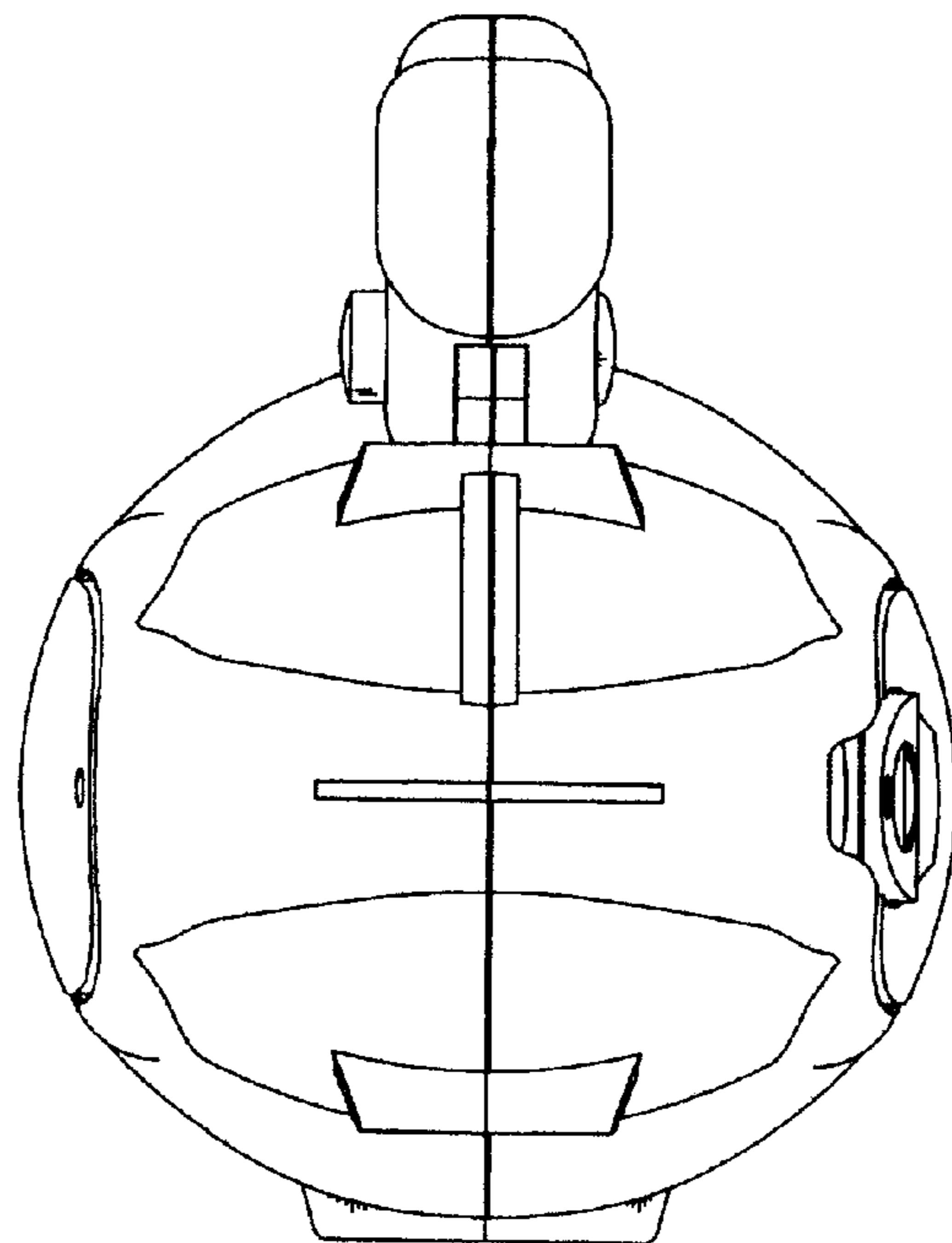


FIG. 4

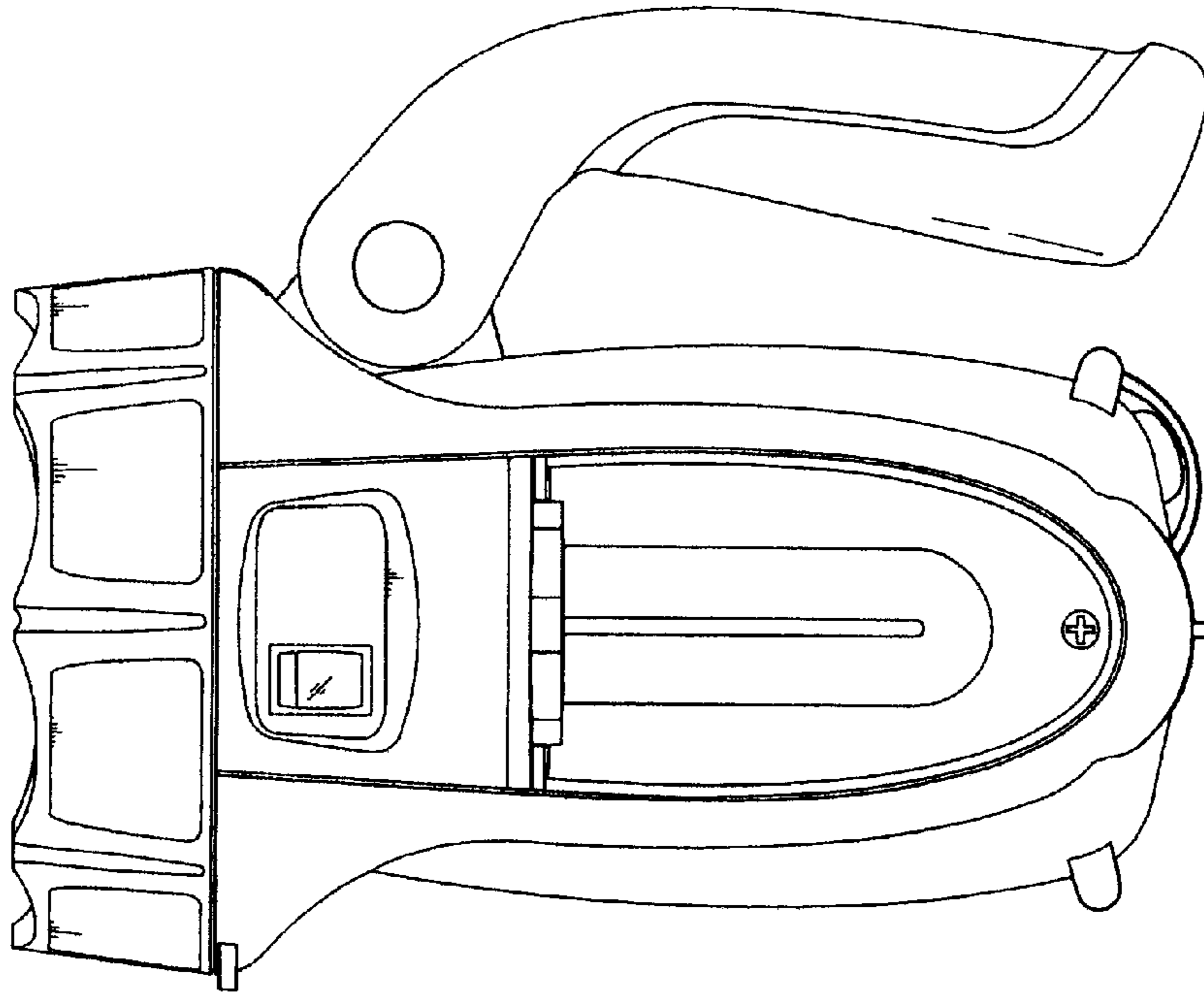


FIG. 5

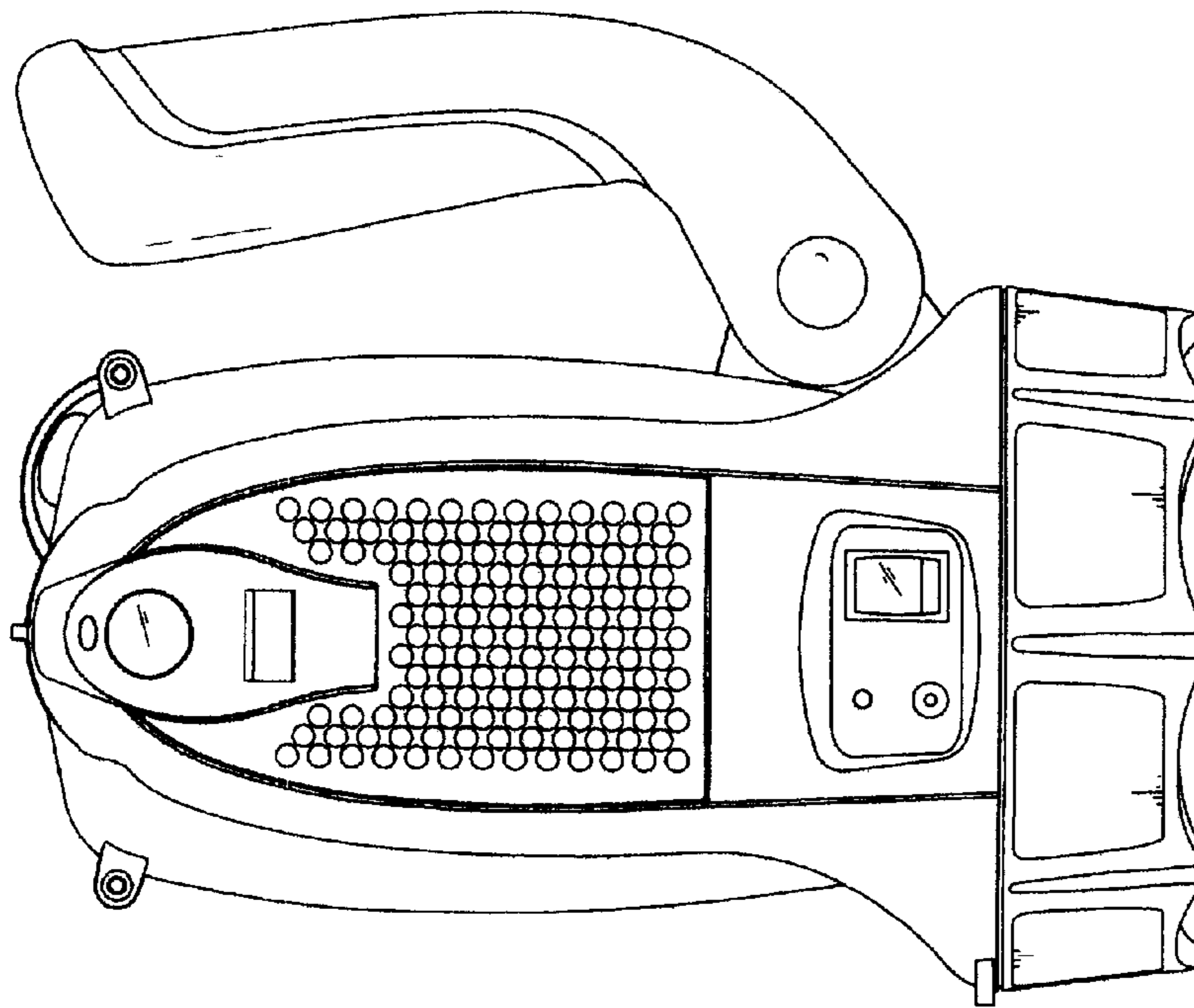


FIG. 6

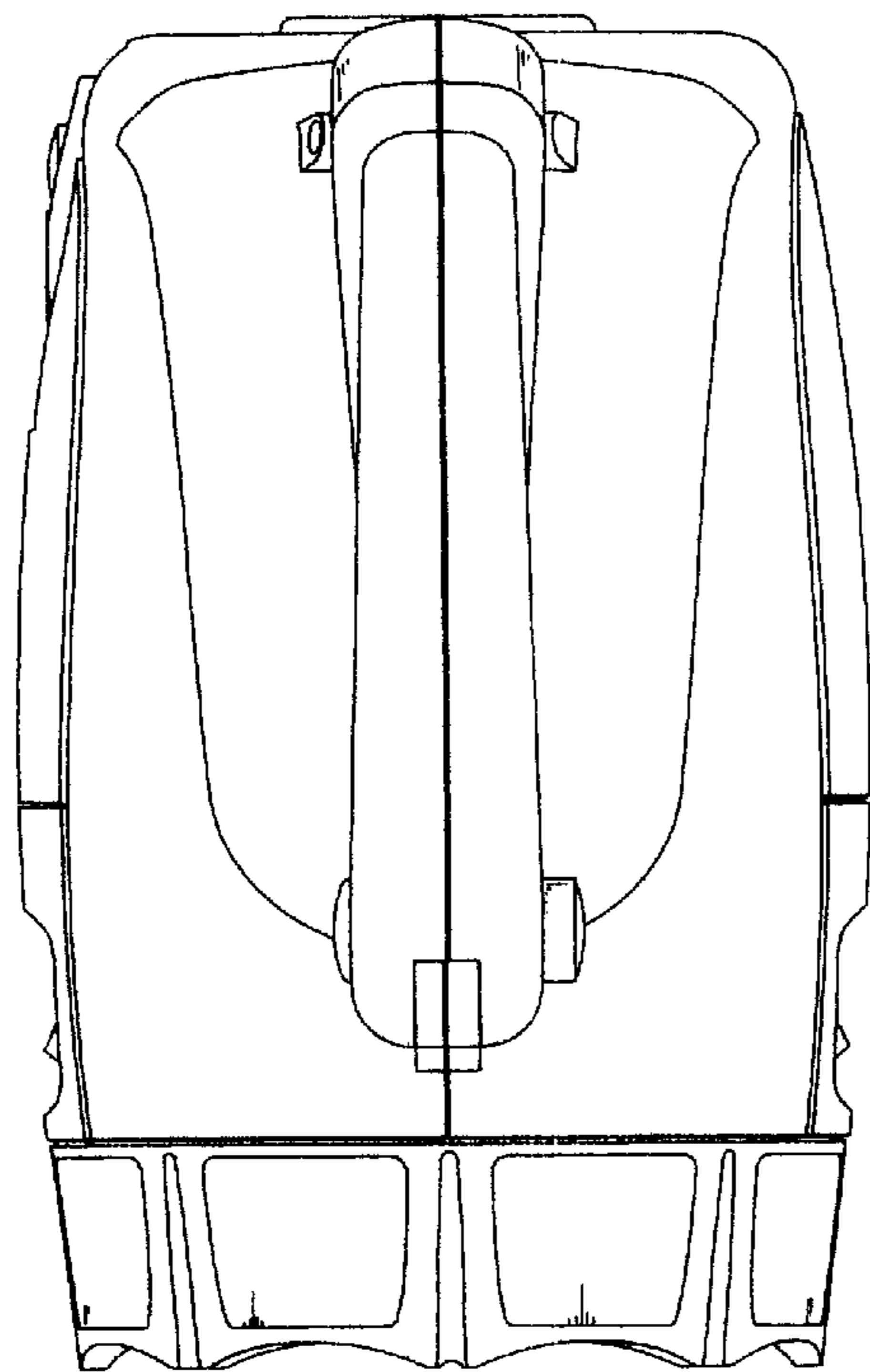


FIG. 7

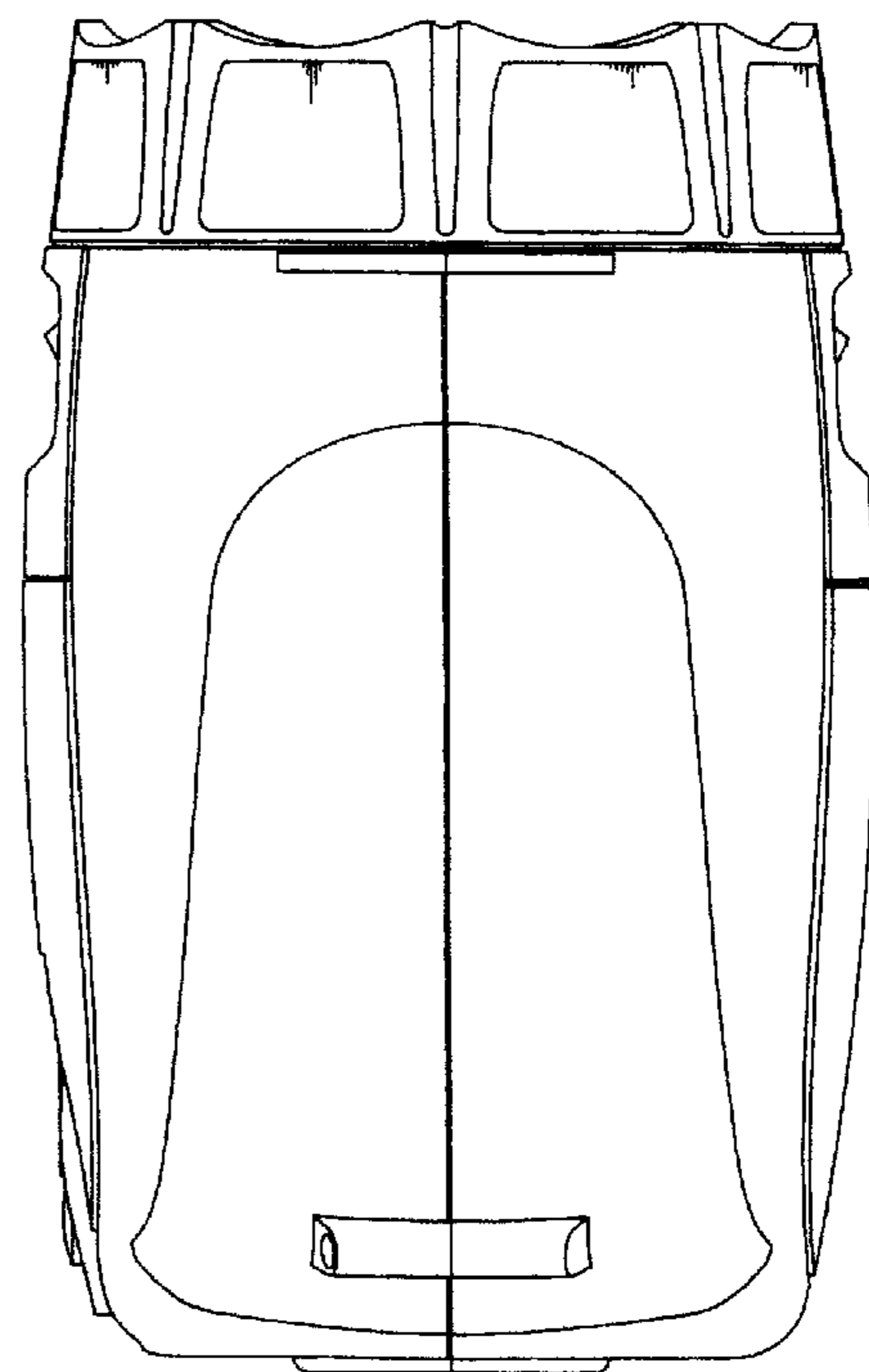


FIG. 8