



US00D538952S

(12) **United States Design Patent**
Maxik et al.

(10) **Patent No.:** **US D538,952 S**
(45) **Date of Patent:** **** Mar. 20, 2007**

(54) **LED LIGHT BULB**

- (75) Inventors: **Fredric S. Maxik**, Weston, FL (US);
Addy S. Widjaja, Davie, FL (US)
 - (73) Assignee: **Lighting Science Group Corporation**,
Dallas, TX (US)
 - (**) Term: **14 Years**
 - (21) Appl. No.: **29/254,210**
 - (22) Filed: **Feb. 17, 2006**
 - (51) **LOC (8) Cl.** **26-04**
 - (52) **U.S. Cl.** **D26/2**
 - (58) **Field of Classification Search** D26/1-4;
313/313, 315, 317, 318, 493; 315/52, 53,
315/56, 57, 58
- See application file for complete search history.

(56) **References Cited**

U.S. PATENT DOCUMENTS

2,981,827	A	4/1961	Orsatti et al.
4,136,378	A	1/1979	Chevali
4,211,955	A	7/1980	Ray

(Continued)

FOREIGN PATENT DOCUMENTS

DE	101 05 622	A1	8/2002
EP	0 441 965	A1	8/1991
EP	0 617 092	A2	3/1994
EP	0 939 429	A1	9/1999
FR	2 586 844		3/1987
GB	2 345 954	A	7/2000
GB	2 366 610	A	3/2002
JP	10-305453		11/1998
JP	2000-21209		1/2000
JP	2001 243807		9/2001
JP	2001 325809		11/2001
WO	WO 03/017320	A1	2/2003
WO	WO 03/034458	A2	4/2003
WO	WO 03/059013	A1	7/2003
WO	WO 2004/003869		1/2004

OTHER PUBLICATIONS

- Fredric S. Maxik, U.S. Appl. No. 60/554,469, filed Mar. 18, 2004 for "Lightbulb Using Electronically Activated Light Emitting Elements and Method of Making Same".
- Fredric S. Maxik, U.S. Appl. No. 60/565,268, filed Apr. 23, 2004 for "Electronic Light Generating Element Lightbulb".
- Fredric S. Maxik, U.S. Appl. No. 60/567,082, filed Apr. 30, 2004 for "Wide Angle Light Dispersion Electronically Activated Lightbulb and Method of Making Same".
- Fredric S. Maxik, U.S. Appl. No. 60/567,226, filed Apr. 30, 2004 for "Lightbulb Using Electronic Light Generating Sources".
- Fredric S. Maxik, U.S. Appl. No. 29/214,892, filed Oct. 8, 2004 for "LED Light Bulb".
- Fredric S. Maxik, U.S. Appl. No. 29/214,893, filed Oct. 8, 2004 for "LED Light Bulb".
- Fredric S. Maxik, U.S. Appl. No. 29/235,514, filed Aug. 2, 2005 for "LED Light Bulb".

(Continued)

Primary Examiner—Marcus A. Jackson
(74) *Attorney, Agent, or Firm*—Haynes and Boone, LLP

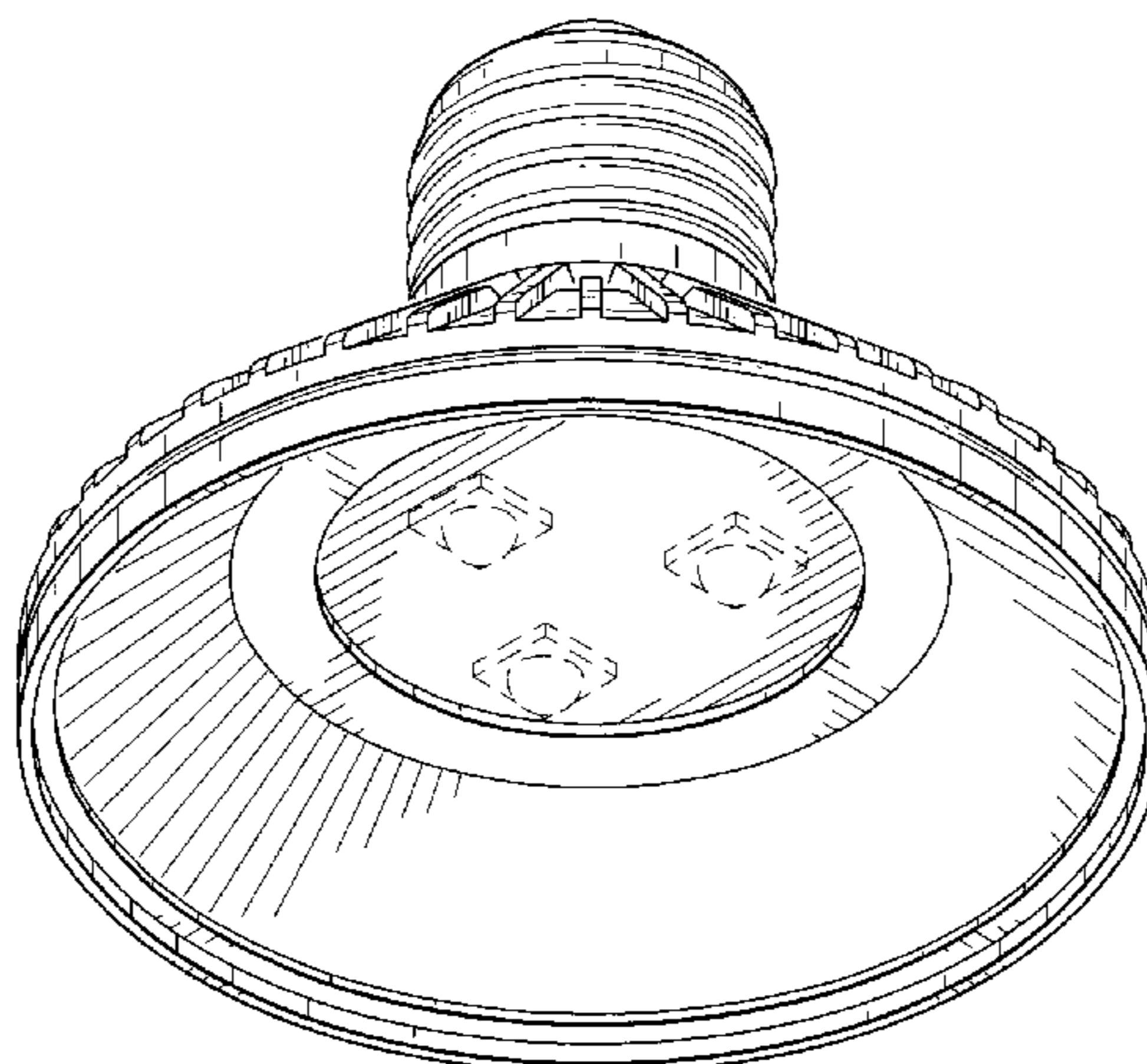
(57) **CLAIM**

The ornamental design for an LED light bulb, as shown and described.

DESCRIPTION

FIG. 1 is a bottom perspective view of an LED light bulb showing our design;
 FIG. 2 is a top perspective view thereof;
 FIG. 3 is a front elevational view thereof, the rear being a mirror image of the front;
 FIG. 4 is a left side elevational view thereof, the right side being a mirror image of the left side;
 FIG. 5 is a bottom plan view thereof;
 FIG. 6 is a top plan view thereof; and,
 FIG. 7 is a perspective view similar to FIG. 1 but showing a variation of our design.

1 Claim, 3 Drawing Sheets



U.S. PATENT DOCUMENTS

4,243,934	A	1/1981	Brasfield	6,707,247	B2	3/2004	Murano
4,423,473	A	12/1983	Kirkley	6,709,126	B1	3/2004	Leen
4,455,562	A	6/1984	Dolan et al.	6,709,132	B2	3/2004	Ishibashi
D302,863	S	8/1989	Krol	6,724,156	B2	4/2004	Fregoso
D325,994	S	* 5/1992	Hume et al. D26/2	D490,919	S	6/2004	Wiesmeth
5,136,483	A	8/1992	Schöniger	D491,301	S	6/2004	Chen
5,162,696	A	11/1992	Goodrich	D493,007	S	7/2004	Rugendyke et al.
5,175,528	A	12/1992	Choi et al.	6,767,111	B1	7/2004	Lai
D336,963	S	6/1993	Levin et al.	D494,687	S	8/2004	Matsui et al.
5,313,187	A	5/1994	Choi et al.	D497,439	S	* 10/2004	Shaw et al. D26/2
5,358,880	A	10/1994	Lebby et al.	D498,310	S	11/2004	Gagnon et al.
5,439,941	A	8/1995	Butler et al.	6,822,397	B2	11/2004	Kawasaki et al.
5,585,783	A	12/1996	Hall	D500,872	S	1/2005	Foo
5,707,132	A	1/1998	Ooki et al.	D501,055	S	1/2005	Packard
5,749,646	A	5/1998	Brittall	6,840,003	B2	1/2005	Moore
D395,092	S	6/1998	Vakil	D505,738	S	5/2005	Buschmann et al.
5,782,553	A	7/1998	McDermott	6,900,781	B1	5/2005	Mori et al.
5,877,863	A	3/1999	Ross et al.	D508,575	S	8/2005	Buschmann et al.
5,929,788	A	7/1999	Vukosic	D514,237	S	1/2006	Buschmann et al.
D414,282	S	9/1999	Kato et al.	D516,229	S	2/2006	Tang
6,016,038	A	1/2000	Mueller et al.	D525,374	S	7/2006	Maxik et al.
D427,335	S	6/2000	Noll	D525,379	S	7/2006	Maxik et al.
D433,166	S	10/2000	Noll	D527,119	S	8/2006	Maxik et al.
6,150,771	A	11/2000	Perry	7,086,756	B2	8/2006	Maxik
6,150,774	A	11/2000	Mueller et al.	D528,227	S	* 9/2006	Chou et al. D26/2
D435,577	S	12/2000	McBride	D528,673	S	9/2006	Maxik et al.
6,166,496	A	12/2000	Lys et al.	D529,635	S	* 10/2006	Johnson D26/2
6,184,628	B1	2/2001	Ruthenberg	2001/0024112	A1	9/2001	Jacobs et al.
6,211,626	B1	4/2001	Lys et al.	2001/0055353	A1	12/2001	Rybicki et al.
6,220,722	B1	4/2001	Begemann	2002/0187570	A1	12/2002	Fukasawa et al.
6,227,679	B1	5/2001	Zhang et al.	2003/0031015	A1	2/2003	Ishibashi
6,285,119	B1	9/2001	Sundhar	2003/0072145	A1	4/2003	Nolan et al.
6,286,969	B1	9/2001	Kurokawa et al.	2003/0090910	A1	5/2003	Chen
6,293,684	B1	9/2001	Riblett	2003/0117803	A1	6/2003	Chen
6,345,903	B1	2/2002	Koike et al.	2004/0026683	A1	2/2004	Yamada et al.
6,350,041	B1	2/2002	Tarsa et al.	2004/0037080	A1	2/2004	Luk et al.
6,369,781	B2	4/2002	Hashimoto et al.	2005/0007304	A1	1/2005	Gallagher et al.
6,371,636	B1	4/2002	Wesson	2005/0099108	A1	5/2005	Hofmann et al.
6,489,937	B1	12/2002	Ruvinsky	2005/0174769	A1	8/2005	Yong et al.
D469,890	S	2/2003	Bobel	2005/0207152	A1	9/2005	Maxik
D470,606	S	2/2003	Bobel	2005/0207159	A1	9/2005	Maxik
D470,608	S	2/2003	Bobel	2005/0237005	A1	10/2005	Maxik
D470,610	S	2/2003	Bobel	2005/0242734	A1	11/2005	Maxik
6,523,978	B1	2/2003	Huang	2005/0243552	A1	11/2005	Maxik
6,548,967	B1	4/2003	Dowling et al.	2005/0248277	A1	11/2005	Van Bruggen et al.
6,580,228	B1	6/2003	Chen et al.	2006/0158134	A1	7/2006	Maxik
6,600,274	B1	7/2003	Hughes				
6,608,453	B2	8/2003	Morgan et al.				
6,621,222	B1	9/2003	Hong				
D482,143	S	11/2003	Buschmann et al.				
6,659,632	B2	12/2003	Chen				
6,662,489	B2	12/2003	Spiro et al.				
6,674,096	B2	1/2004	Sommers				
6,683,419	B2	1/2004	Kriparos				
6,697,130	B2	2/2004	Weindorf et al.				
D487,940	S	3/2004	Buschmann et al.				

OTHER PUBLICATIONS

Fredric S. Maxik, U.S. Appl. No. 29/243,097, filed Nov. 18, 2005 for "LED Light Bulb".
 Fredric S. Maxik, U.S. Appl. No. 29/254,208, filed Feb. 17, 2006 for "LED Light Bulb".
 Fredric S. Maxik, Catherina G.M. Friderici, and Wei Sun, U.S. Appl. No. 29/254,209, filed Feb. 17, 2006 for "LED Light Bulb".

* cited by examiner

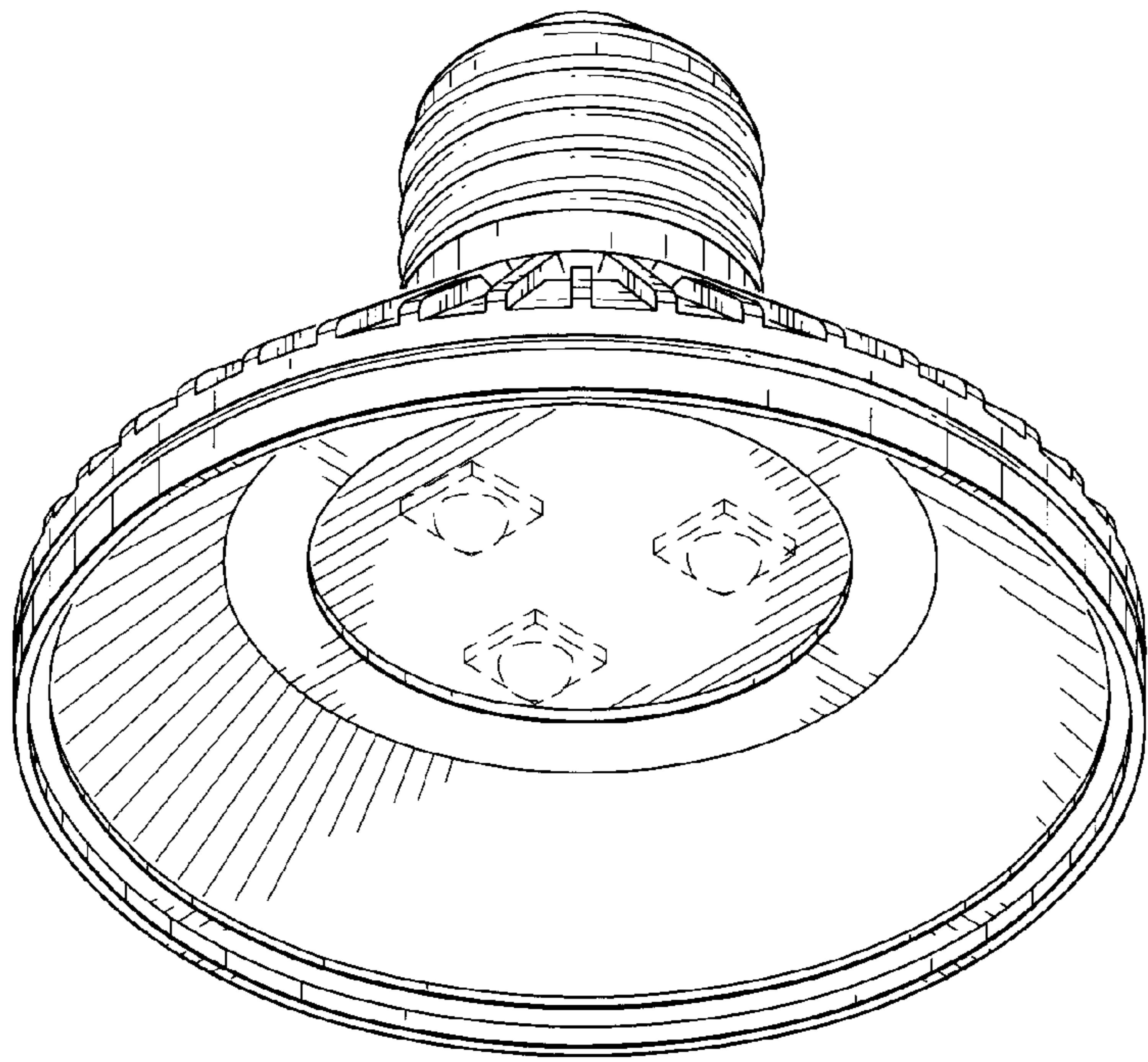


FIG. 1

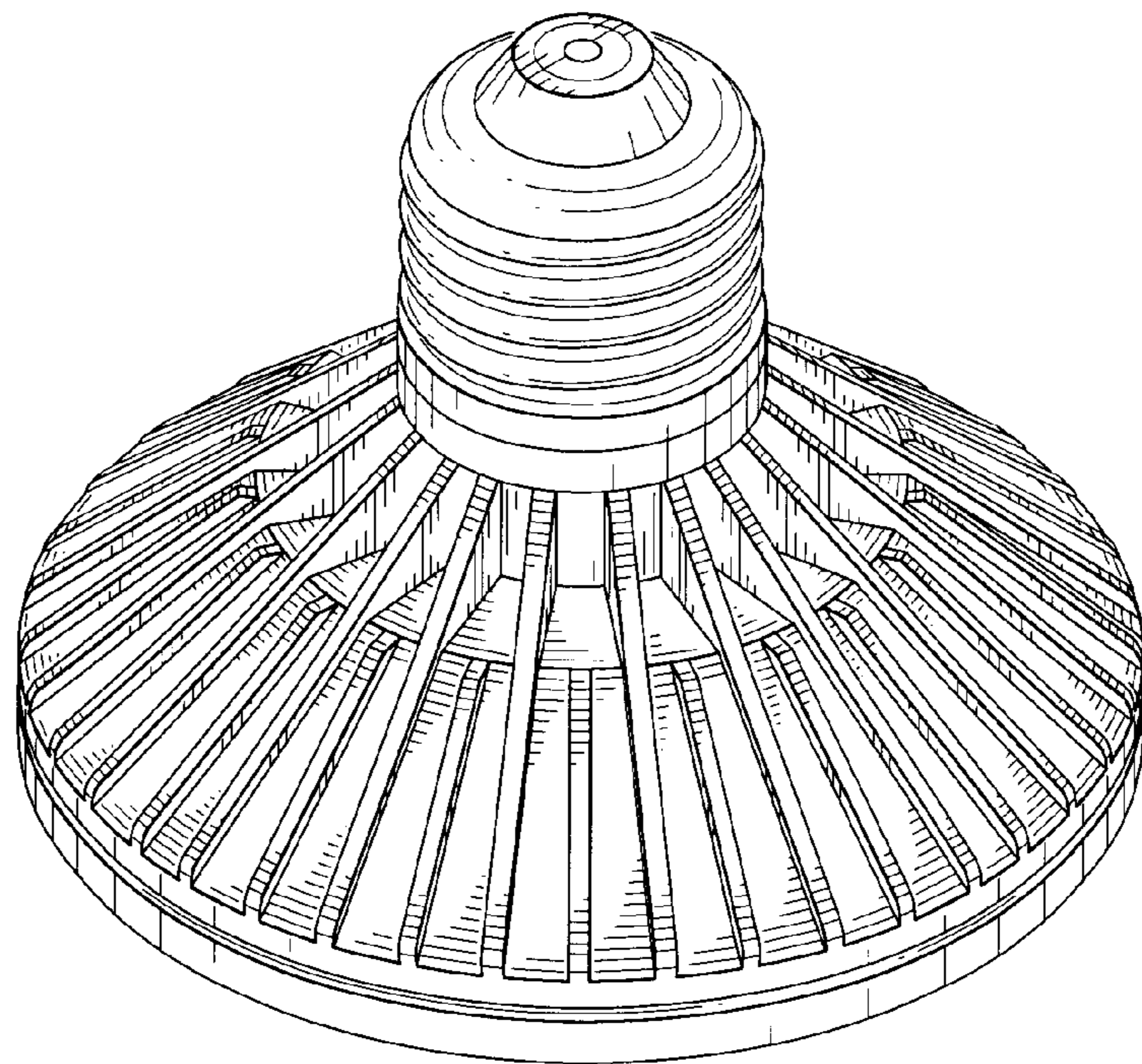


FIG. 2

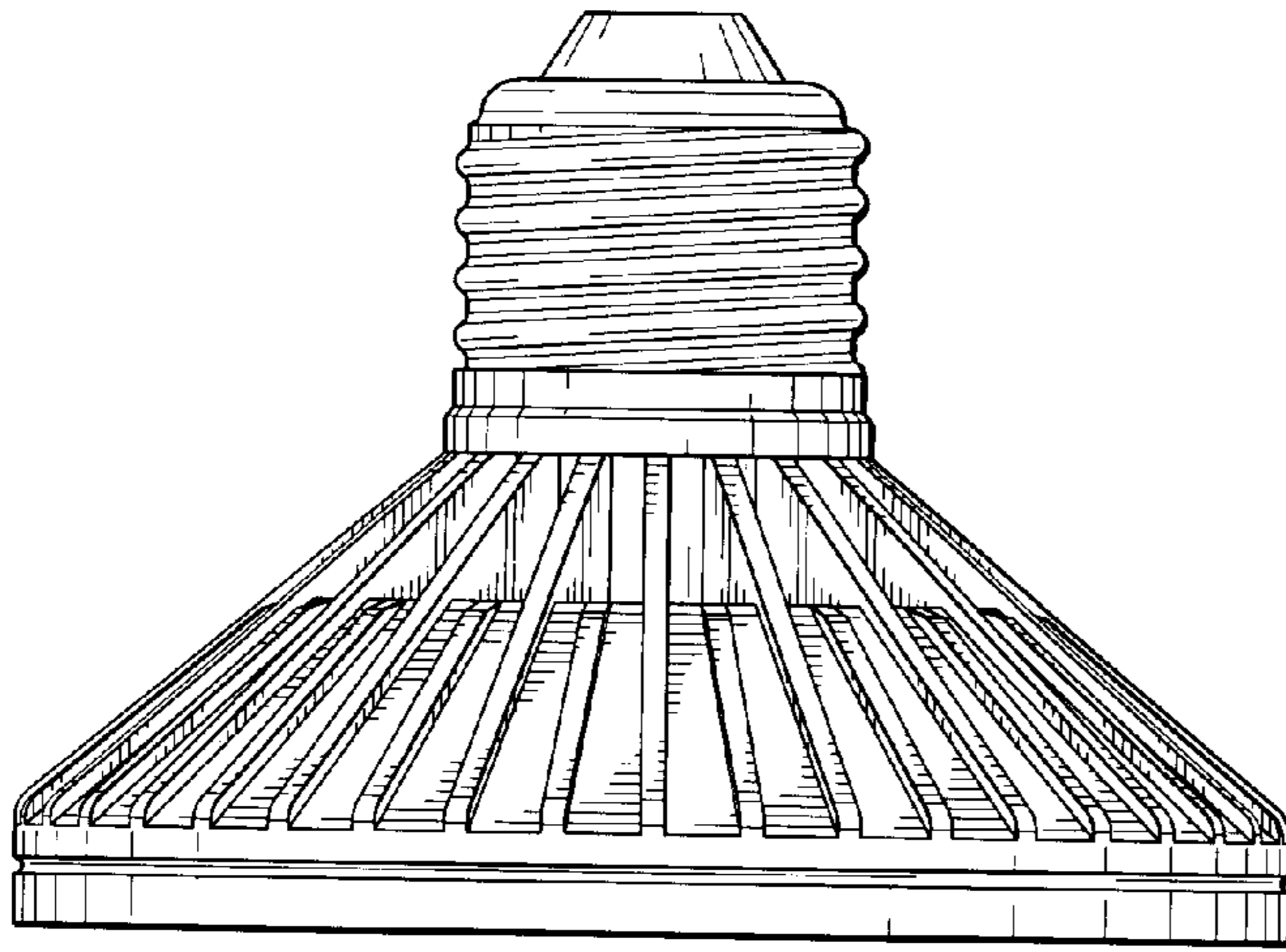


FIG. 3

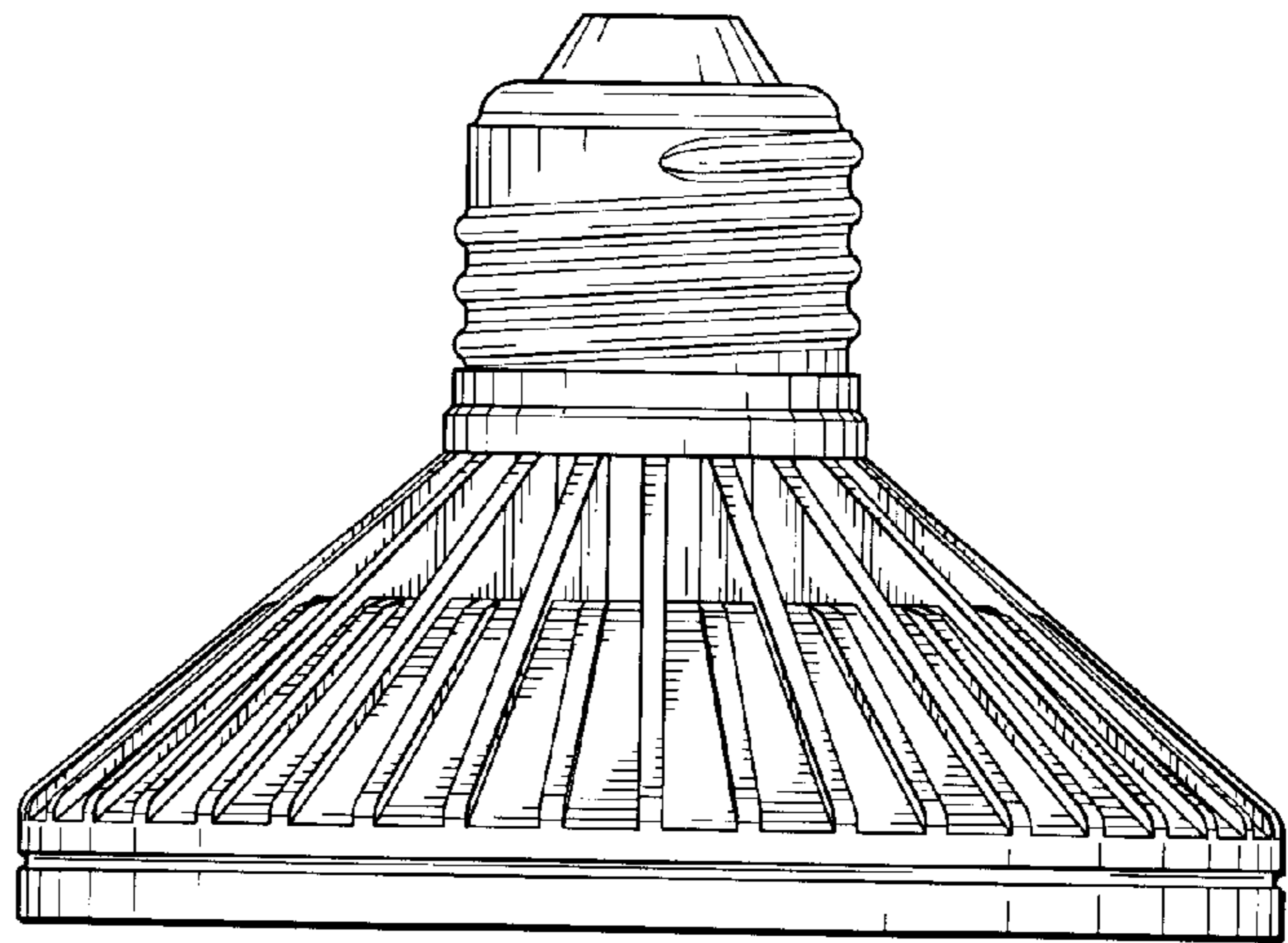


FIG. 4

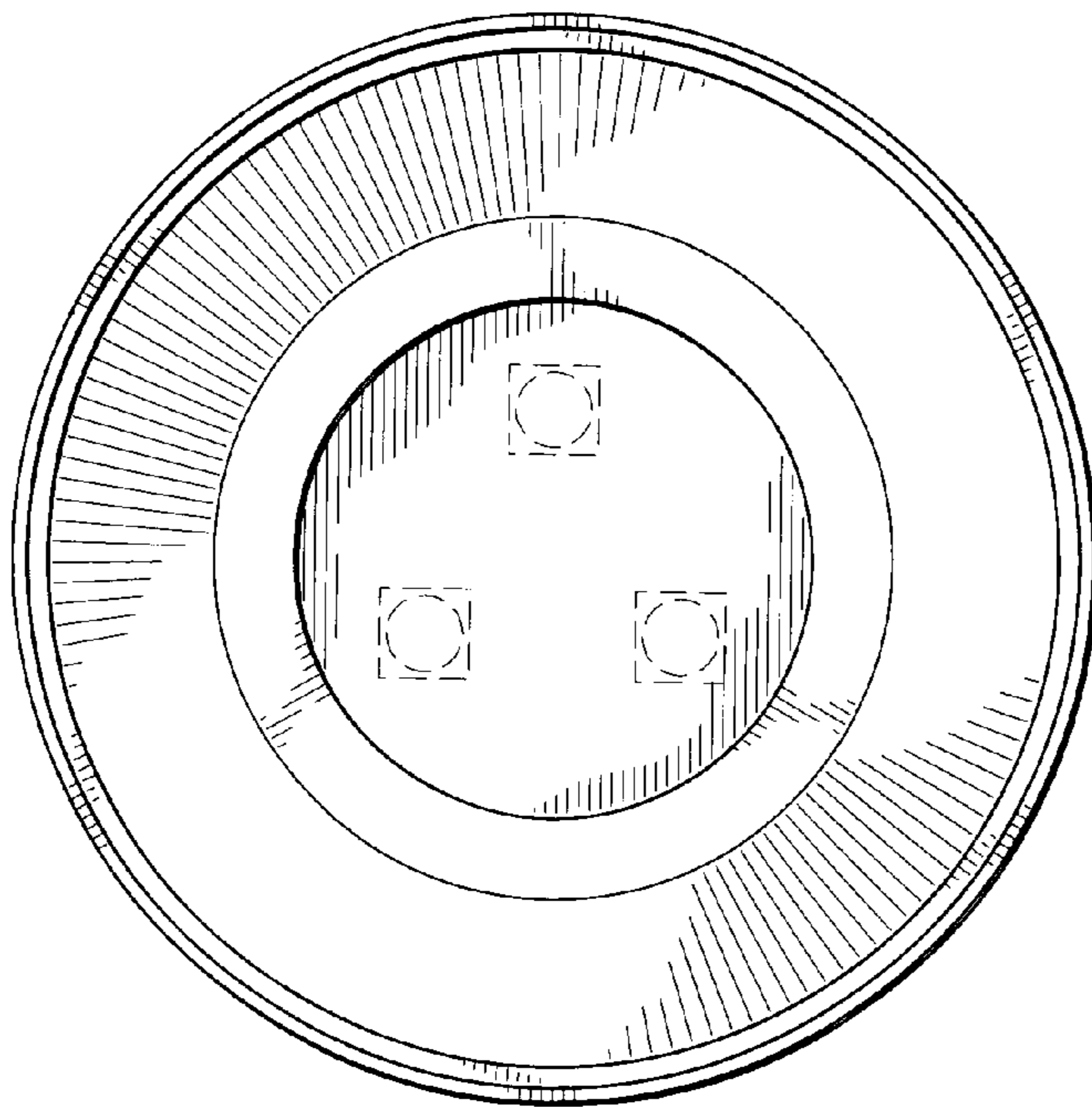


FIG. 5

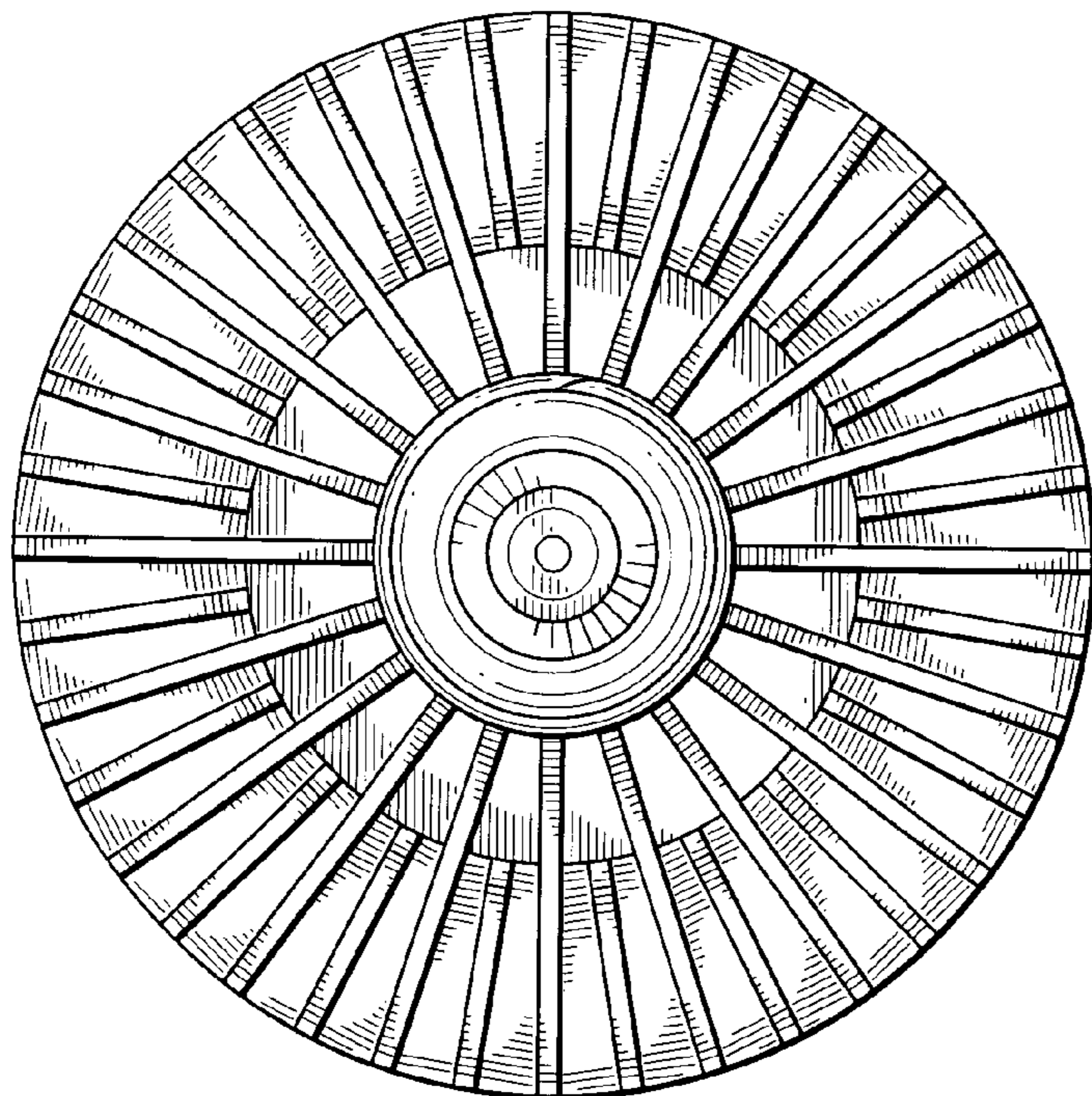


FIG. 6

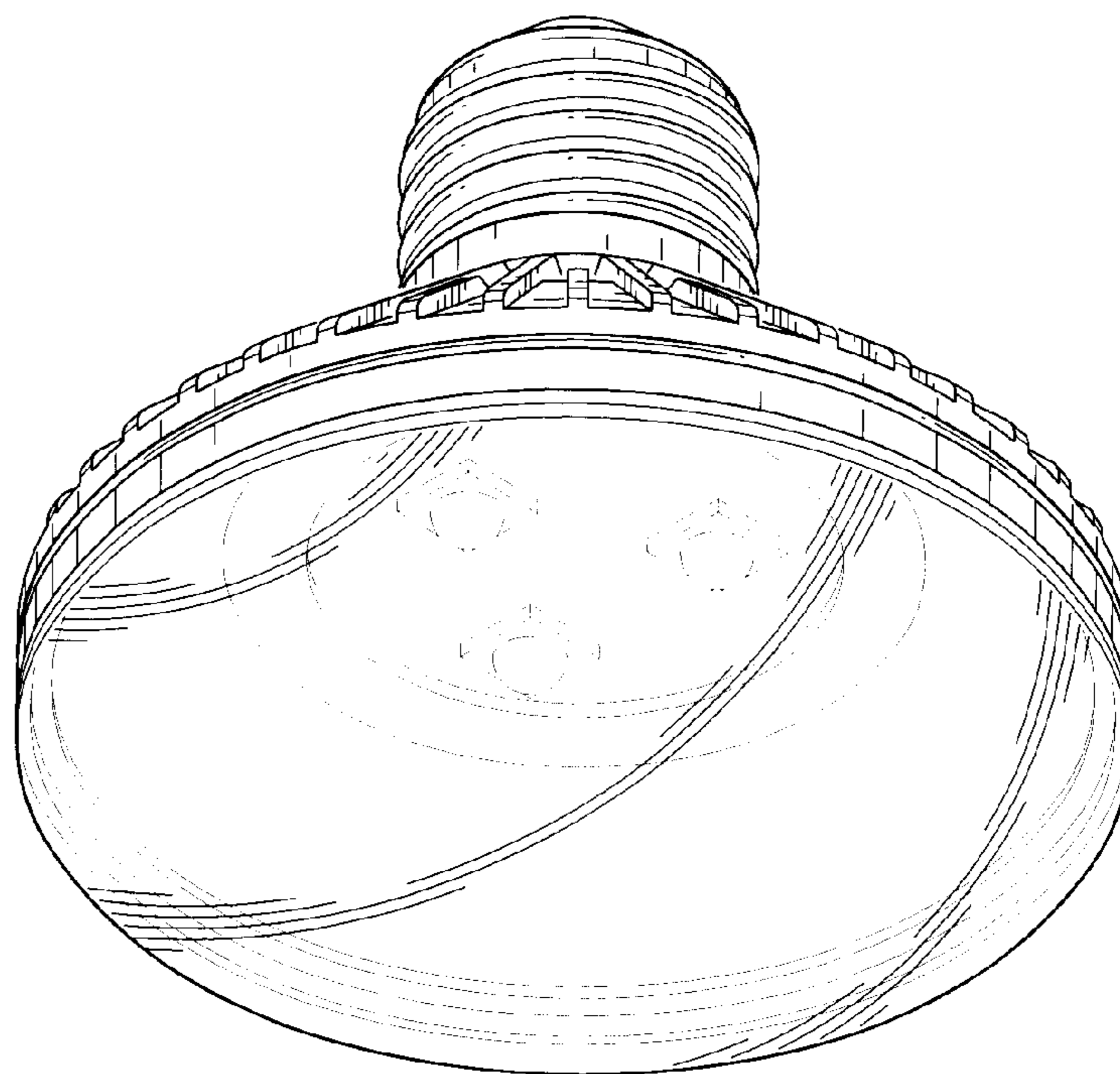


FIG. 7