



US00D538951S

(12) **United States Design Patent** (10) **Patent No.:** **US D538,951 S**  
**Maxik et al.** (45) **Date of Patent:** **\*\* Mar. 20, 2007**

(54) **LED LIGHT BULB**

(75) Inventors: **Fredric S. Maxik**, Weston, FL (US);  
**Catherine G. M. Friderici**, Hollywood,  
 FL (US); **Wei Sun**, Davie, FL (US)

(73) Assignee: **Lighting Science Corporation**, Dallas,  
 TX (US)

(\*\*) Term: **14 Years**

(21) Appl. No.: **29/254,209**

(22) Filed: **Feb. 17, 2006**

(51) **LOC (8) Cl.** ..... **26-04**

(52) **U.S. Cl.** ..... **D26/2**

(58) **Field of Classification Search** ..... D26/1-4;  
 313/313, 315, 317, 318, 493; 315/52, 53,  
 315/56, 57, 58

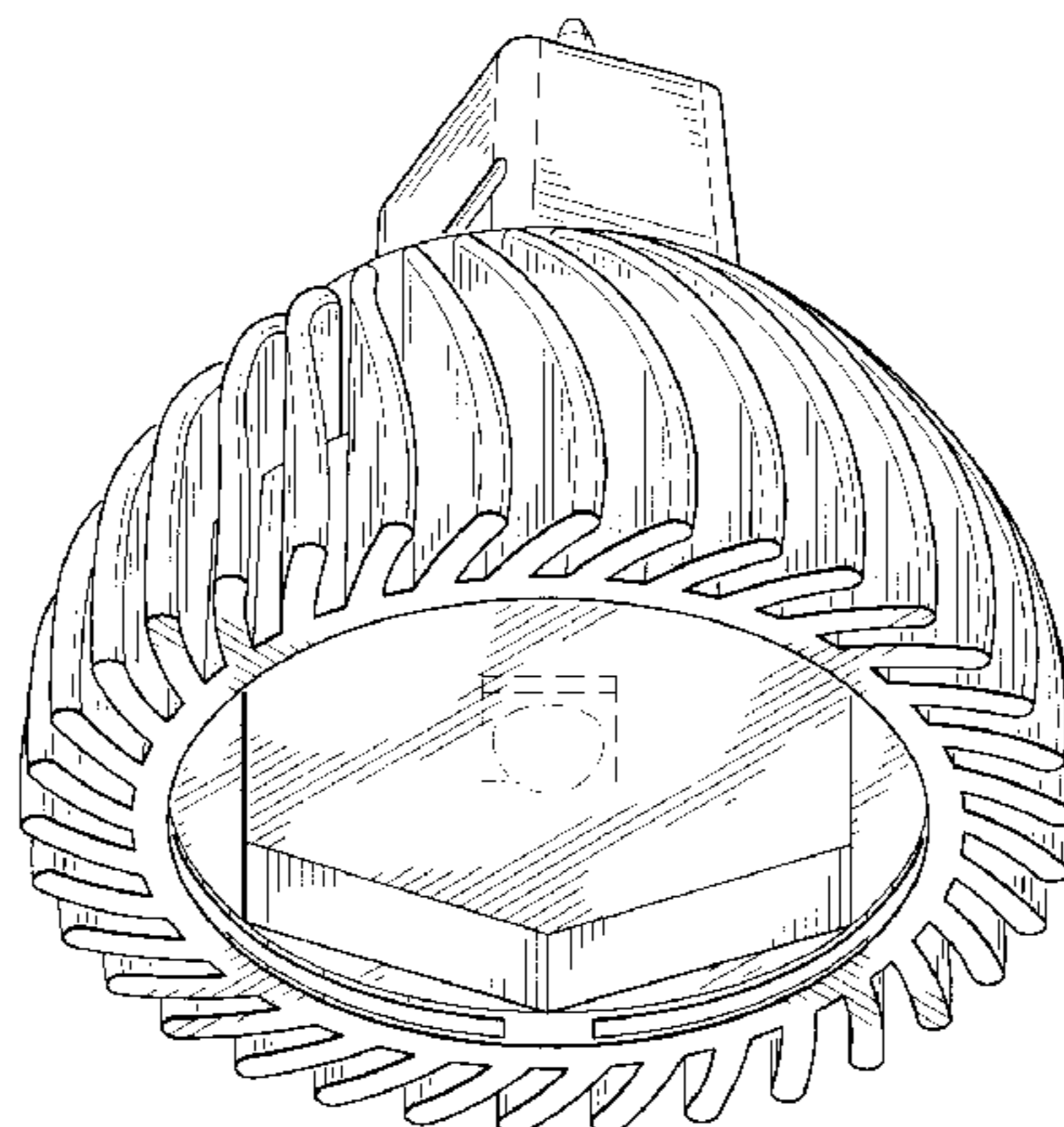
See application file for complete search history.

D414,282 S 9/1999 Kato et al.  
 6,016,038 A 1/2000 Mueller et al.  
 D427,335 S 6/2000 Noll  
 D433,166 S 10/2000 Noll  
 6,150,771 A 11/2000 Perry  
 6,150,774 A 11/2000 Mueller et al.  
 D435,577 S 12/2000 McBride  
 6,166,496 A 12/2000 Lys et al.  
 6,184,628 B1 2/2001 Ruthenberg  
 6,211,626 B1 4/2001 Lys et al.  
 6,220,722 B1 4/2001 Begemann  
 6,227,679 B1 5/2001 Zhang et al.  
 6,285,119 B1 9/2001 Sundhar  
 6,286,969 B1 9/2001 Kurokawa et al.  
 6,293,684 B1 9/2001 Riblett  
 6,345,903 B1 2/2002 Koike et al.  
 6,350,041 B1 2/2002 Tarsa et al.  
 6,369,781 B2 4/2002 Hashimoto et al.  
 6,371,636 B1 4/2002 Wesson  
 6,489,937 B1 12/2002 Ruvinsky  
 D469,890 S 2/2003 Bobel  
 D470,606 S 2/2003 Bobel  
 D470,608 S 2/2003 Bobel  
 D470,610 S 2/2003 Bobel  
 6,523,978 B1 2/2003 Huang  
 6,548,967 B1 4/2003 Dowling et al.  
 6,580,228 B1 6/2003 Chen et al.  
 6,600,274 B1 7/2003 Hughes  
 6,608,453 B2 8/2003 Morgan et al.  
 6,621,222 B1 9/2003 Hong  
 D482,143 S 11/2003 Buschmann et al.  
 6,659,632 B2 12/2003 Chen  
 6,662,489 B2 12/2003 Spiro et al.  
 6,674,096 B2 1/2004 Sommers  
 6,683,419 B2 1/2004 Kriparos  
 6,697,130 B2 2/2004 Weindorf et al.  
 D487,940 S 3/2004 Buschmann et al.  
 6,707,247 B2 3/2004 Murano  
 6,709,126 B1 3/2004 Leen  
 6,709,132 B2 3/2004 Ishibashi  
 6,724,156 B2 4/2004 Fregoso  
 D490,919 S 6/2004 Wiesmeth  
 D491,301 S 6/2004 Chen  
 D493,007 S 7/2004 Rugendyke et al.  
 6,767,111 B1 7/2004 Lai  
 D494,687 S 8/2004 Matsui et al.  
 D498,310 S 11/2004 Gagnon et al.  
 6,822,397 B2 11/2004 Kawasaki et al.  
 D500,872 S 1/2005 Foo

(56) **References Cited**

U.S. PATENT DOCUMENTS

2,981,827 A 4/1961 Orsatti et al.  
 4,136,378 A 1/1979 Chevali  
 4,211,955 A 7/1980 Ray  
 4,243,934 A 1/1981 Brasfield  
 4,423,473 A 12/1983 Kirkley  
 4,455,562 A 6/1984 Dolan et al.  
 D302,863 S 8/1989 Krol  
 D325,994 S 5/1992 Hume et al.  
 5,136,483 A 8/1992 Schöniger et al.  
 5,162,696 A 11/1992 Goodrich  
 5,175,528 A 12/1992 Choi et al.  
 D336,963 S 6/1993 Levin et al.  
 5,313,187 A 5/1994 Choi et al.  
 5,358,880 A 10/1994 Lebby et al.  
 5,439,941 A 8/1995 Butler et al.  
 5,585,783 A 12/1996 Hall  
 5,707,132 A 1/1998 Ooki et al.  
 5,749,646 A 5/1998 Brittell  
 D395,092 S 6/1998 Vakil  
 5,782,553 A 7/1998 McDermott  
 5,877,863 A 3/1999 Ross et al.  
 5,929,788 A 7/1999 Vukosic



D501,055 S	1/2005	Packard	
6,840,003 B2	1/2005	Moore	
D505,738 S	5/2005	Buschmann et al.	
6,900,781 B1	5/2005	Mori et al.	
D508,575 S	8/2005	Buschmann et al.	
D514,237 S	1/2006	Buschmann et al.	
D516,229 S *	2/2006	Tang .....	D26/2
D525,374 S	7/2006	Maxik et al.	
D525,379 S	7/2006	Maxik et al.	
D527,119 S *	8/2006	Maxik et al. ....	D26/2
7,086,756 B2	8/2006	Maxik	
D528,227 S *	9/2006	Chou et al. ....	D26/2
D528,673 S	9/2006	Maxik et al.	
2001/0024112 A1	9/2001	Jacobs et al.	
2001/0055353 A1	12/2001	Rybicki et al.	
2002/0187570 A1	12/2002	Fukasawa et al.	
2003/0031015 A1	2/2003	Ishibashi	
2003/0072145 A1	4/2003	Nolan et al.	
2003/0090910 A1	5/2003	Chen	
2003/0117803 A1	6/2003	Chen	
2004/0026683 A1	2/2004	Yamada et al.	
2004/0037080 A1	2/2004	Luk et al.	
2005/0007304 A1	1/2005	Gallagher et al.	
2005/0099108 A1	5/2005	Hofmann et al.	
2005/0174769 A1	8/2005	Yong et al.	
2005/0207152 A1	9/2005	Maxik	
2005/0207159 A1	9/2005	Maxik	
2005/0237005 A1	10/2005	Maxik	
2005/0242734 A1	11/2005	Maxik	
2005/0243552 A1	11/2005	Maxik	
2005/0248277 A1	11/2005	Van Bruggen et al.	
2006/0158134 A1	7/2006	Maxik	

FOREIGN PATENT DOCUMENTS

DE	101 05 622 A1	8/2002
EP	0 441 965 A1	8/1991
EP	0 617 092 A2	3/1994
EP	0 939 429 A1	9/1999
FR	2 586 844	3/1987
GB	2 345 954 A	7/2000
GB	2 366 610 A	3/2002
JP	10-305453	11/1998
JP	2000-21209	1/2000
JP	2001 243807	9/2001
JP	2001 325809	11/2001
WO	WO 03/017320 A1	2/2003
WO	WO 03/034458 A2	4/2003
WO	WO 03/059013 A1	7/2003
WO	WO 2004/003869	1/2004

OTHER PUBLICATIONS

Fredric S. Maxik, U.S. Appl. No. 60/554,469, filed Mar. 18, 2004 for “Lightbulb Using Electronically Activated Light Emitting Elements and Method of Making Same”.

Fredric S. Maxik, U.S. Appl. No. 60/565,268, filed Apr. 23, 2004 for “Electronic Light Generating Element Lightbulb”.

Fredric S. Maxik, U.S. Appl. No. 60/567,082, filed Apr. 30, 2004 for “Wide Angle Light Dispersion Electronically Activated Lightbulb and Method of Making Same”.

Fredric S. Maxik, U.S. Appl. No. 60/567,226, filed Apr. 30, 2004 for “Lightbulb Using Electronic Light Generating Sources”.

Fredric S. Maxik, U.S. Appl. No. 29/214,892, filed Oct. 8, 2004 for “LED Light Bulb”.

Fredric S. Maxik, U.S. Appl. No. 29/214,893, filed Oct. 8, 2004 for “LED Light Bulb”.

Fredric S. Maxik, U.S. Appl. No. 29/235,514, filed Aug. 2, 2005 for “LED Light Bulb”.

Fredric S. Maxik, U.S. Appl. No. 29/243,097, filed Nov. 18, 2005 for “LED Light Bulb”.

Fredric S. Maxik, U.S. Appl. No. 29/254,208, filed Feb. 17, 2006 for “LED Light Bulb”.

Fredric S. Maxik and Addy S. Widjaja, U.S. Appl. No. 29/254,210, filed Feb. 17, 2006 for “LED Light Bulb”.

\* cited by examiner

*Primary Examiner*—Marcus A. Jackson  
(74) *Attorney, Agent, or Firm*—Haynes and Boone, LLP

(57) **CLAIM**

The ornamental design for an LED light bulb, as shown and described.

**DESCRIPTION**

FIG. 1 is a bottom perspective view of an LED light bulb showing our design;

FIG. 2 is a top perspective view thereof;

FIG. 3 is a front elevational view thereof, the rear being a mirror image of the front;

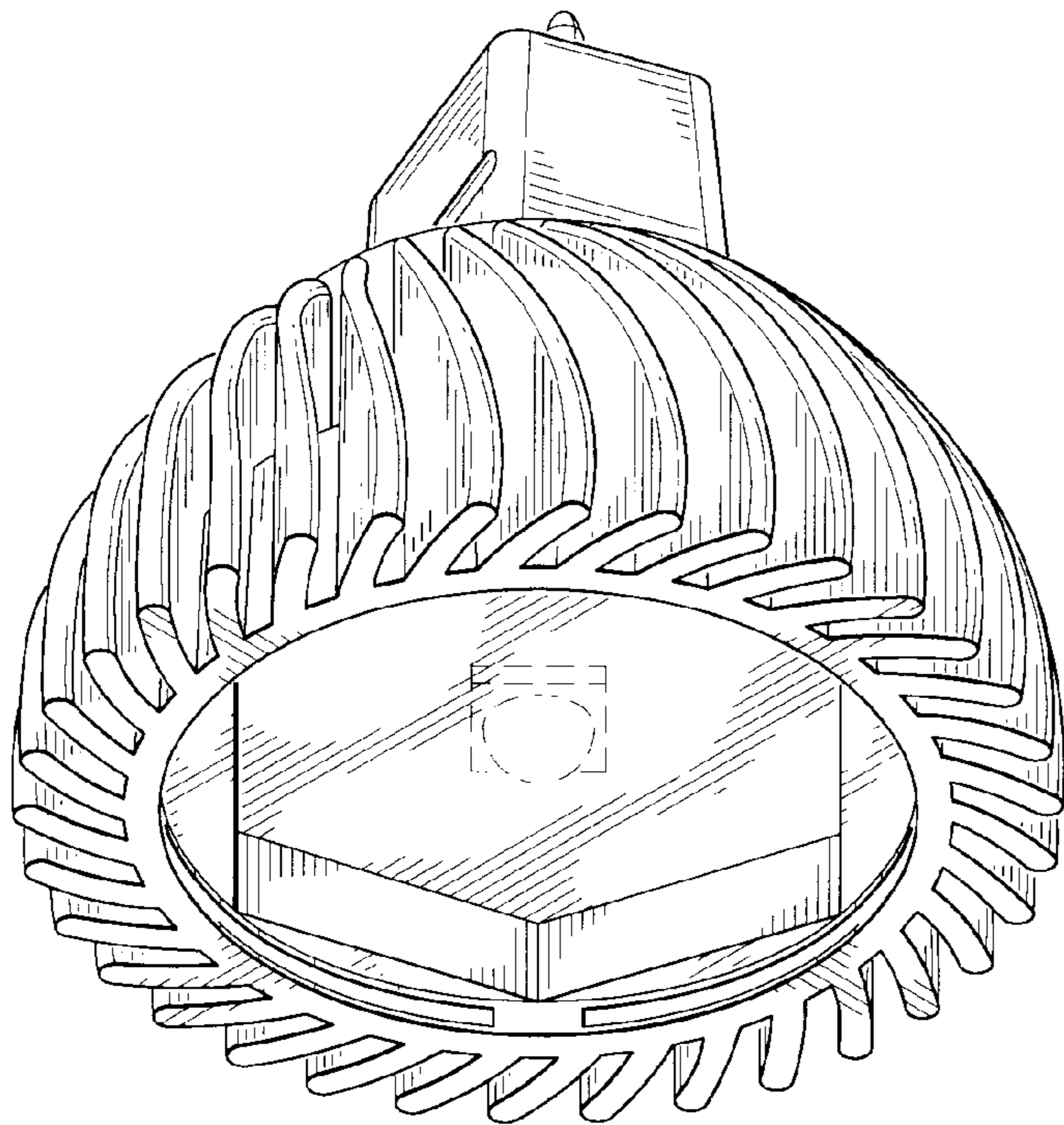
FIG. 4 is a right side elevational view thereof, the left side being a mirror image of the right side;

FIG. 5 is a bottom plan view thereof;

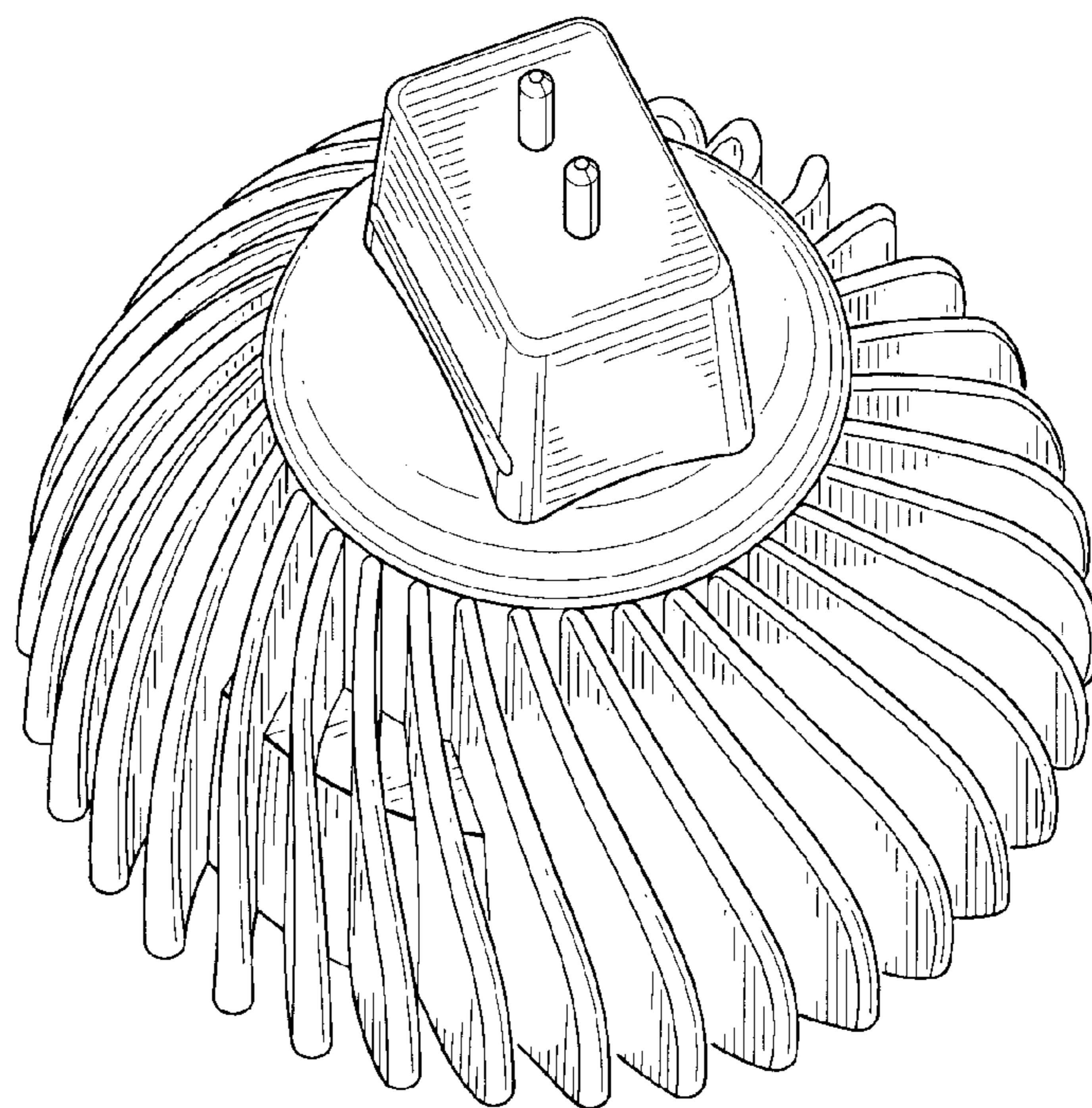
FIG. 6 is a top plan view thereof; and,

FIG. 7 is a perspective view similar to FIG. 1 but showing a variation of our design.

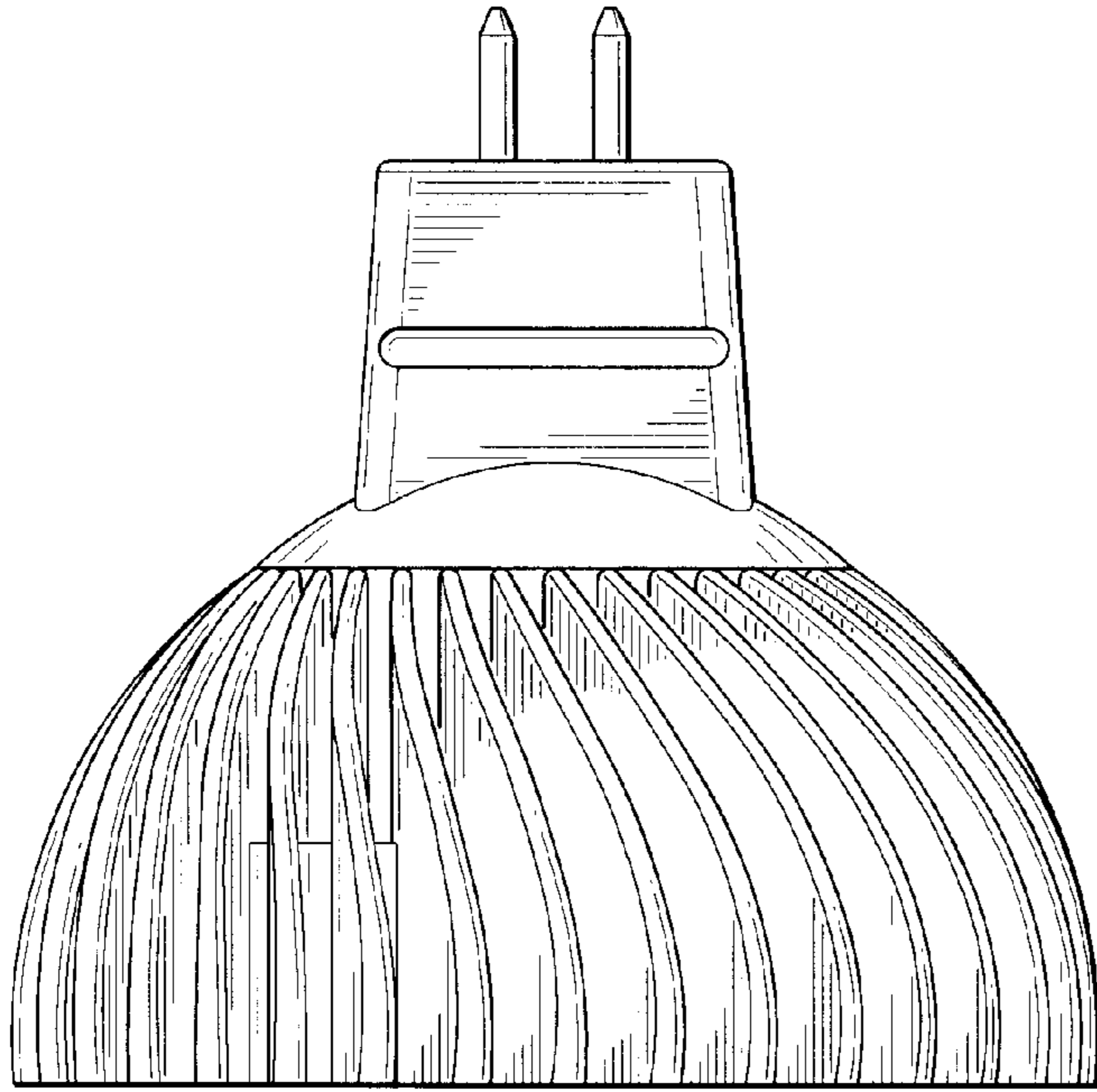
**1 Claim, 4 Drawing Sheets**



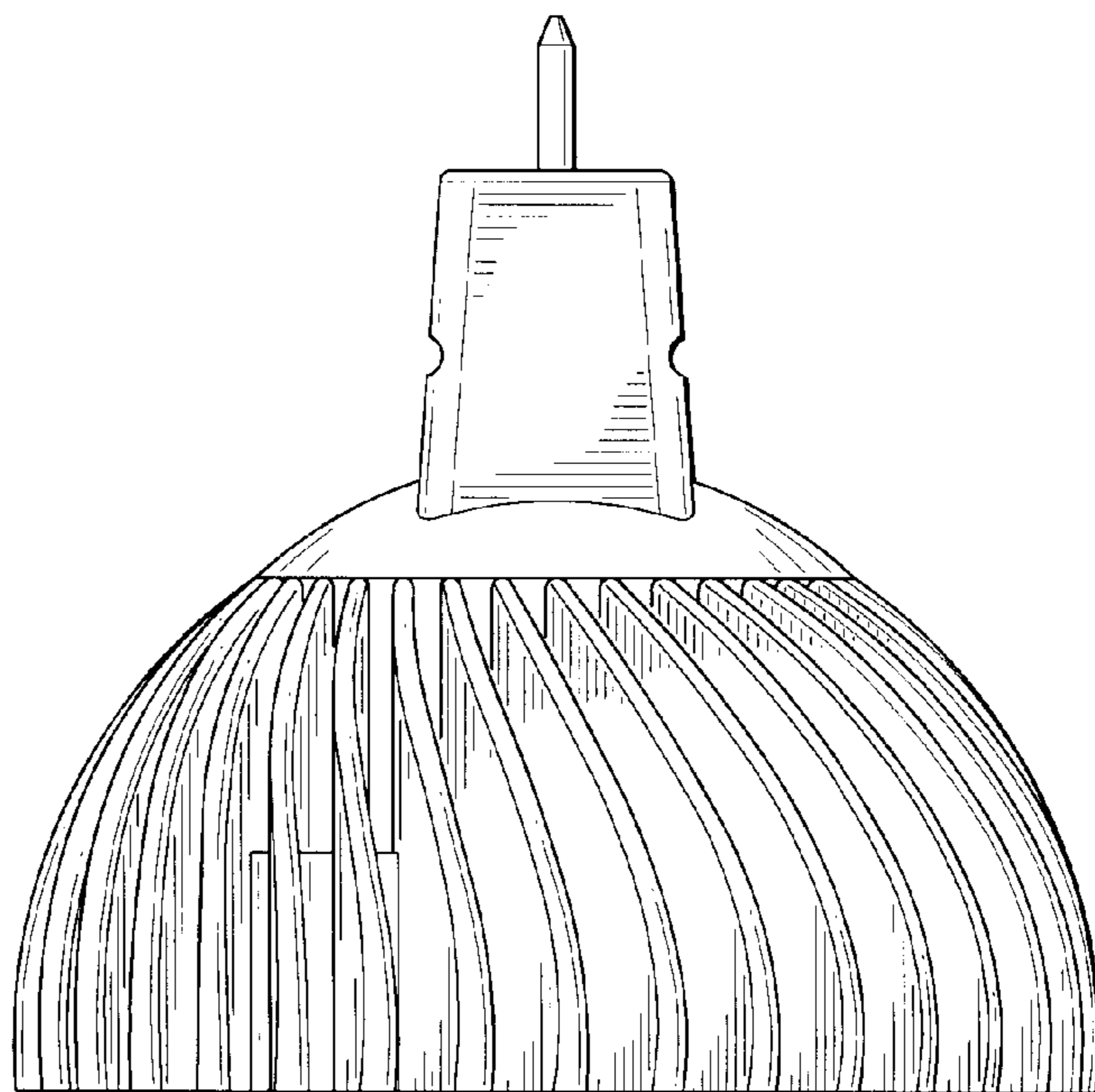
*Fig. 1*



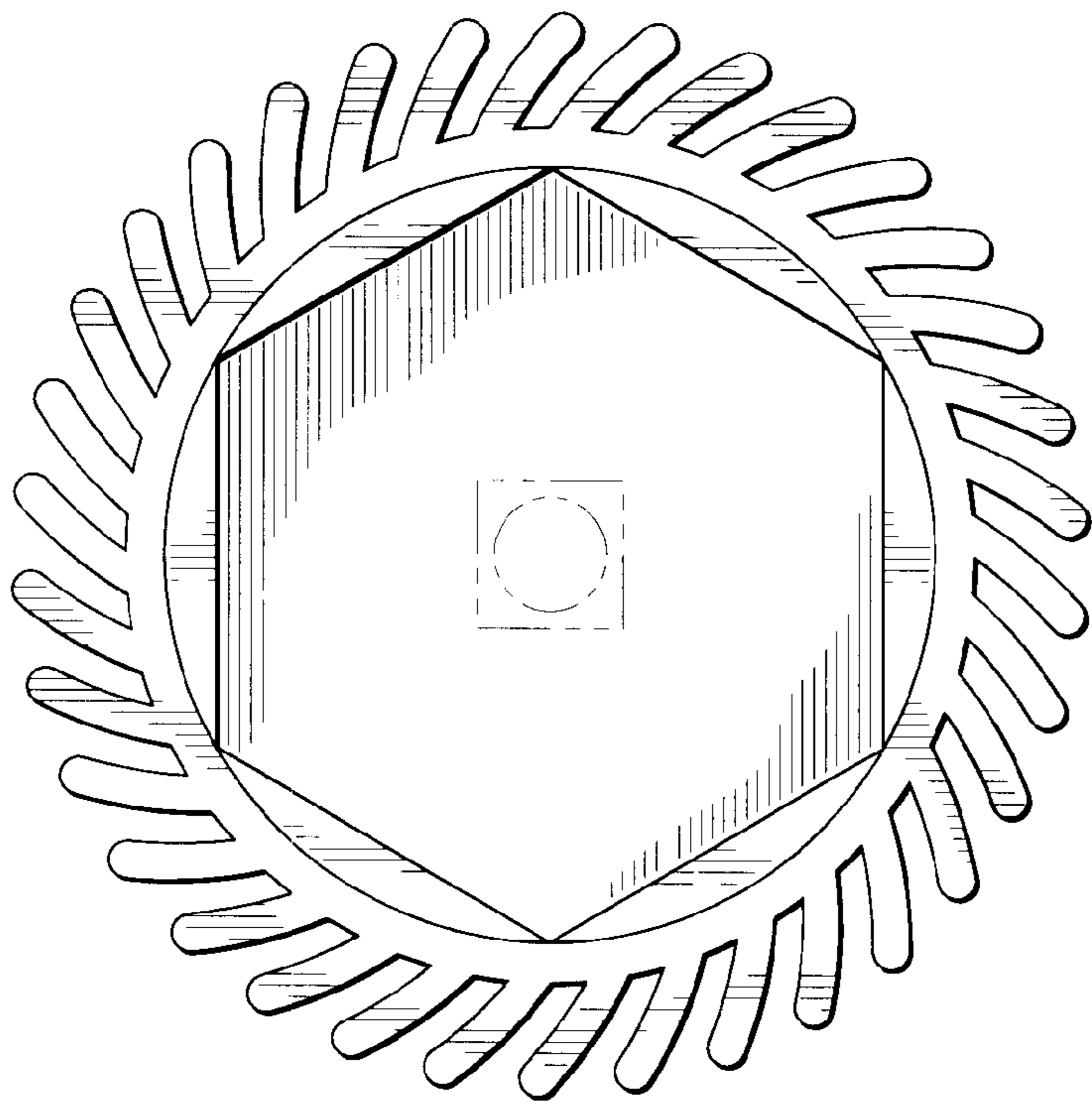
*Fig. 2*



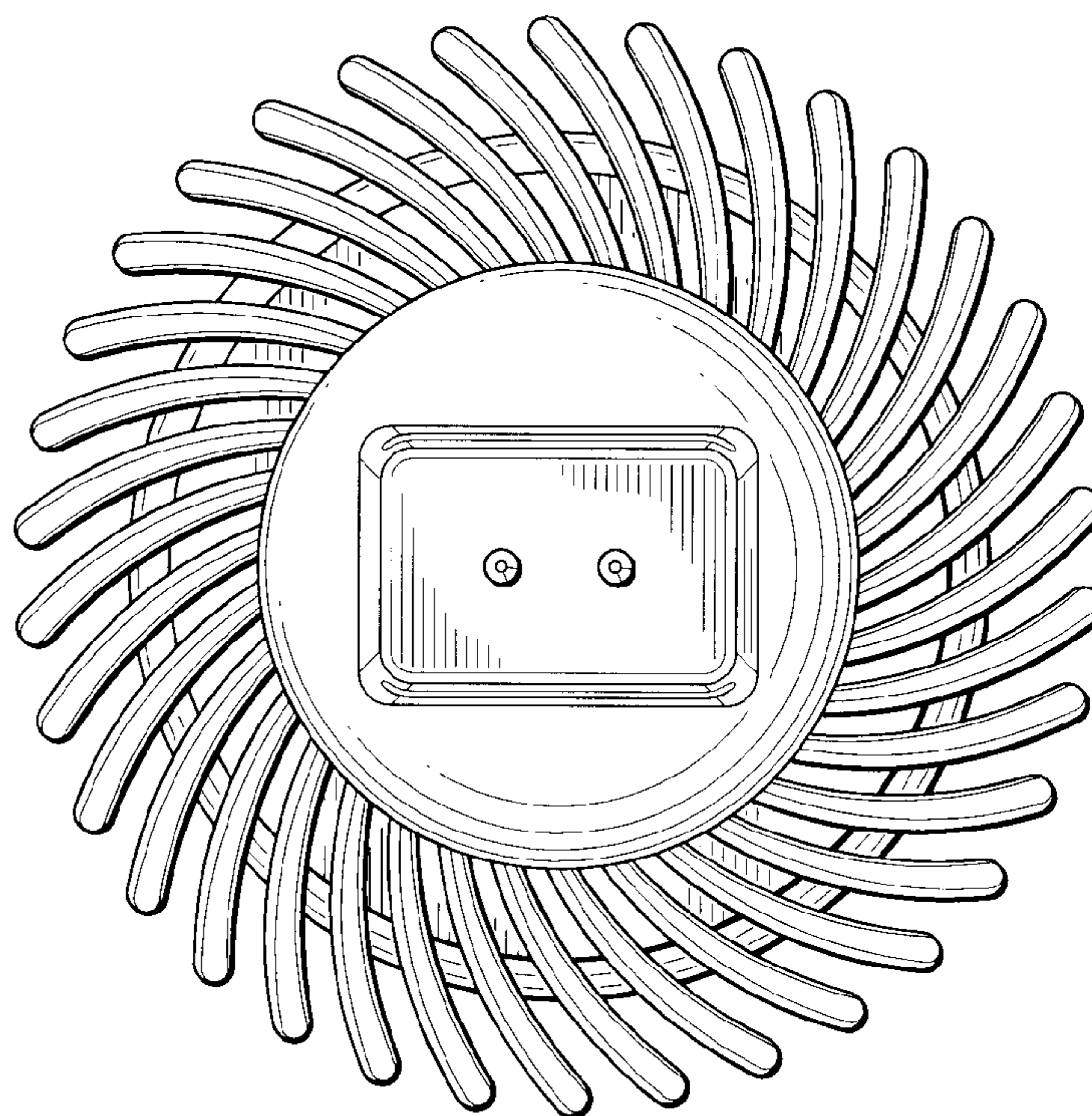
*Fig. 3*



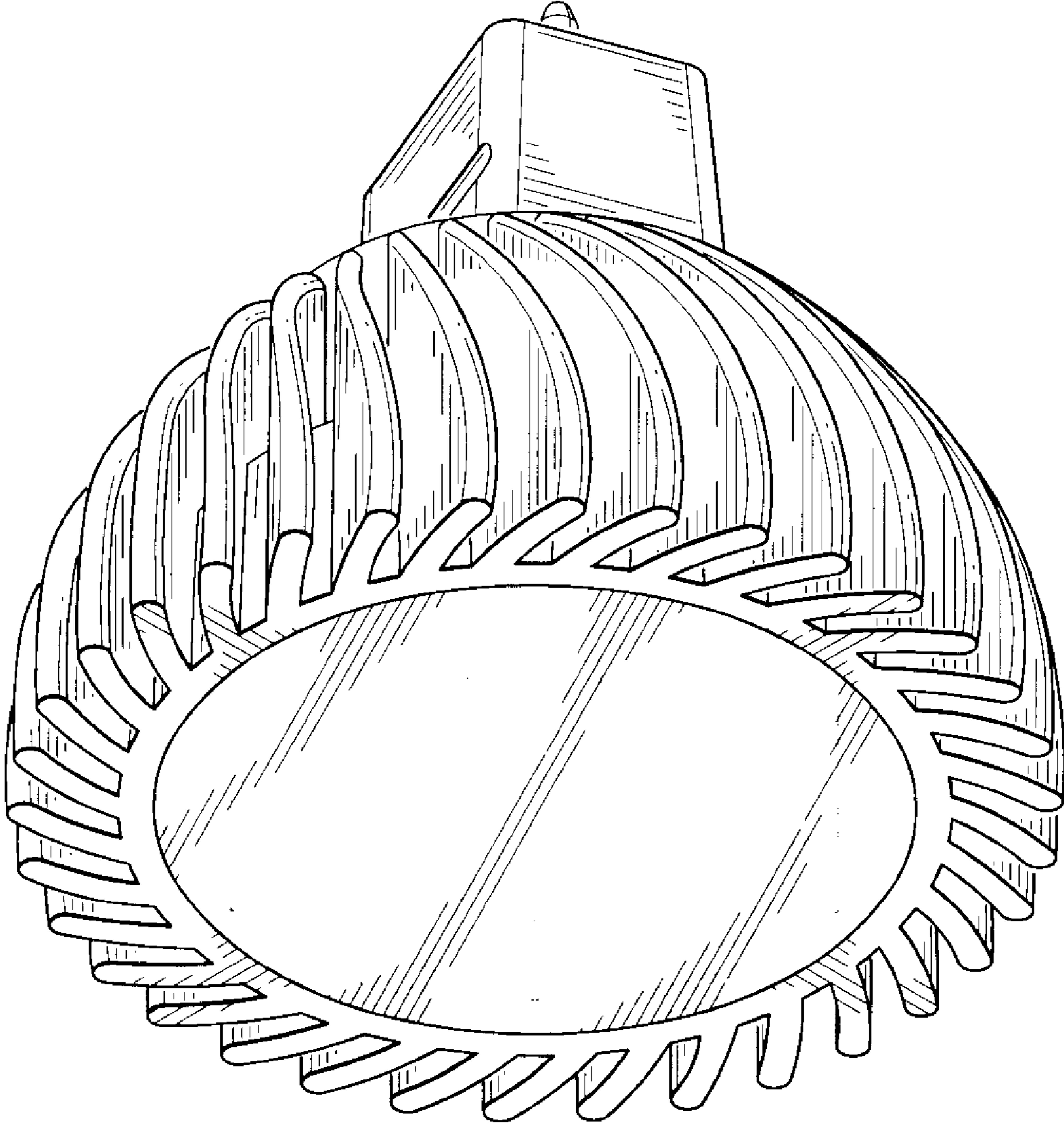
*Fig. 4*



*Fig. 5*



*Fig. 6*



*Fig. 7*