



US00D538940S

(12) **United States Design Patent**  
**Baldachini**

(10) **Patent No.:** **US D538,940 S**

(45) **Date of Patent:** **\*\* Mar. 20, 2007**

(54) **SKIN TREATMENT APPARATUS**

(76) Inventor: **Marcello Rinaldo Baldachini**, 27, Via  
Guerini, I-25135 S. Eufemia (Brescia)  
(IT)

(\*\*) Term: **14 Years**

(21) Appl. No.: **29/244,641**

(22) Filed: **Dec. 13, 2005**

(30) **Foreign Application Priority Data**

Jun. 17, 2005 (EM) ..... 000373618

(51) **LOC (8) Cl.** ..... **28-03**

(52) **U.S. Cl.** ..... **D24/209**

(58) **Field of Classification Search** ..... D24/200,  
D24/211-215, 209-210, 119, 133, 158; 601/46,  
601/67-70, 134-138; 606/1, 17, 13; 362/800,  
362/399, 202; D26/37, 67; 607/90-95, 88,  
607/1

See application file for complete search history.

(56) **References Cited**

**U.S. PATENT DOCUMENTS**

D133,969 S \* 9/1942 Warren ..... D24/210

D441,456 S \* 5/2001 Thiberg ..... D24/210

D481,463 S \* 10/2003 Cook et al. .... D24/200

D484,605 S \* 12/2003 Cook et al. .... D24/200

D490,528 S \* 5/2004 Cook et al. .... D24/200

D519,234 S \* 4/2006 Lee ..... D26/37

D519,642 S \* 4/2006 Lansohn ..... D24/209

D524,470 S \* 7/2006 Lee ..... D26/37

\* cited by examiner

*Primary Examiner*—Ian Simmons

*Assistant Examiner*—Melanie Levy

(74) *Attorney, Agent, or Firm*—Shoemaker and Mattare

(57) **CLAIM**

The ornamental design for a skin treatment apparatus, as shown and described.

**DESCRIPTION**

FIG. 1 is a perspective of a skin treatment apparatus, showing my new design from the front, top and left side; FIG. 2 is a perspective view thereof, from the front, top and right side;

FIG. 3 is a left side view thereof;

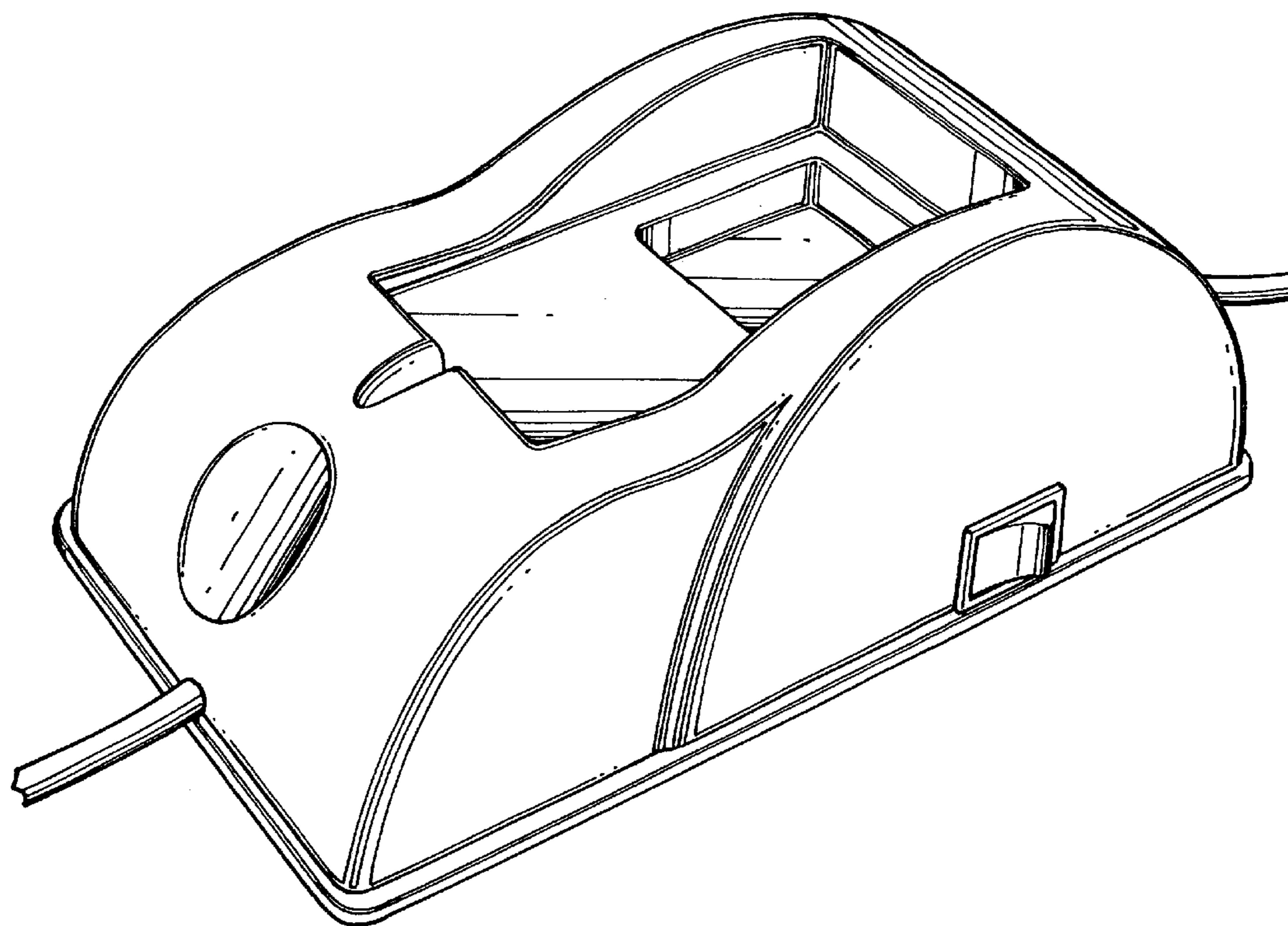
FIG. 4 is a front elevational view thereof;

FIG. 5 is a rear elevational view thereof;

FIG. 6 is a top plan view thereof; and,

FIG. 7 is a bottom plan view thereof.

**1 Claim, 3 Drawing Sheets**



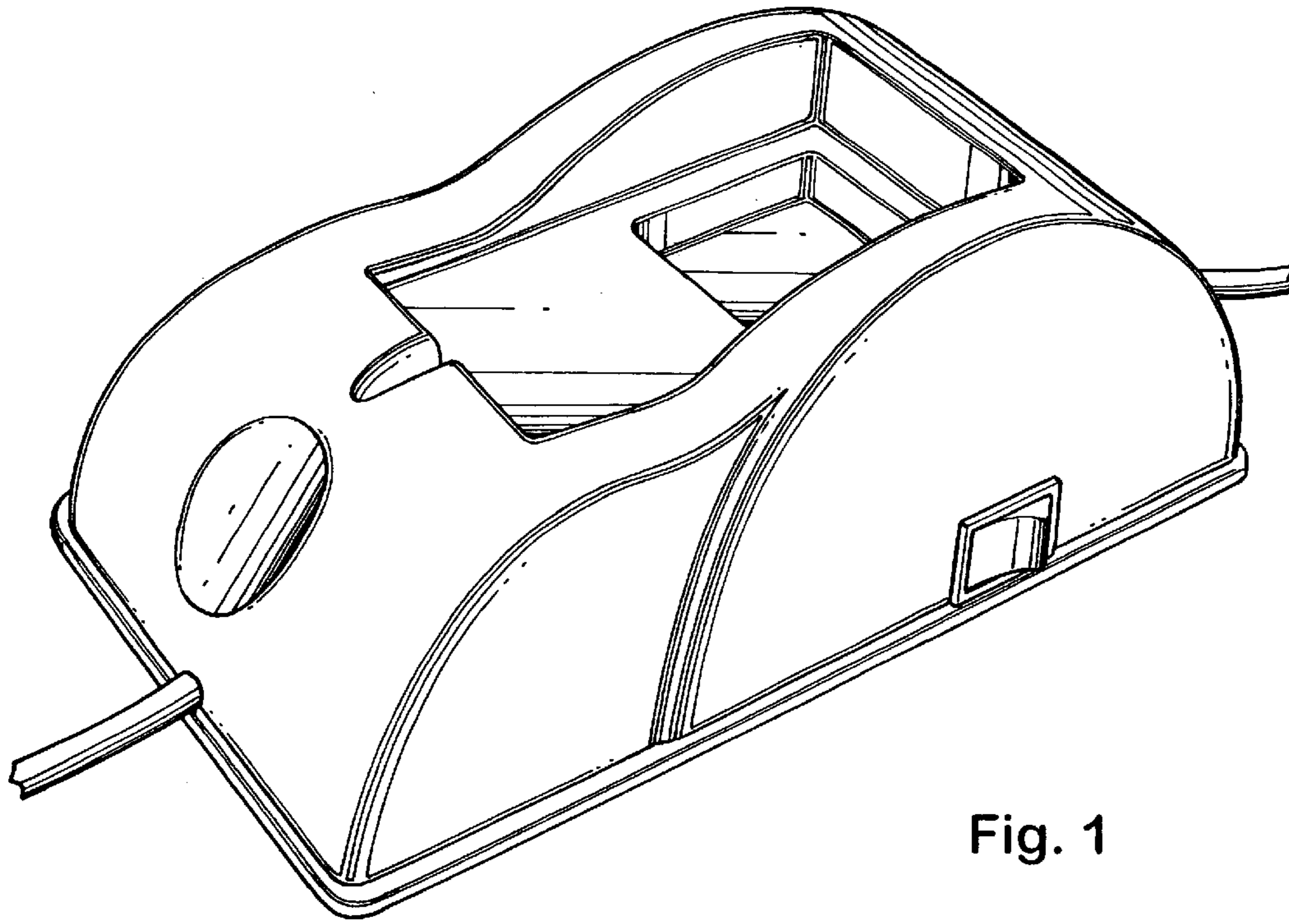


Fig. 1

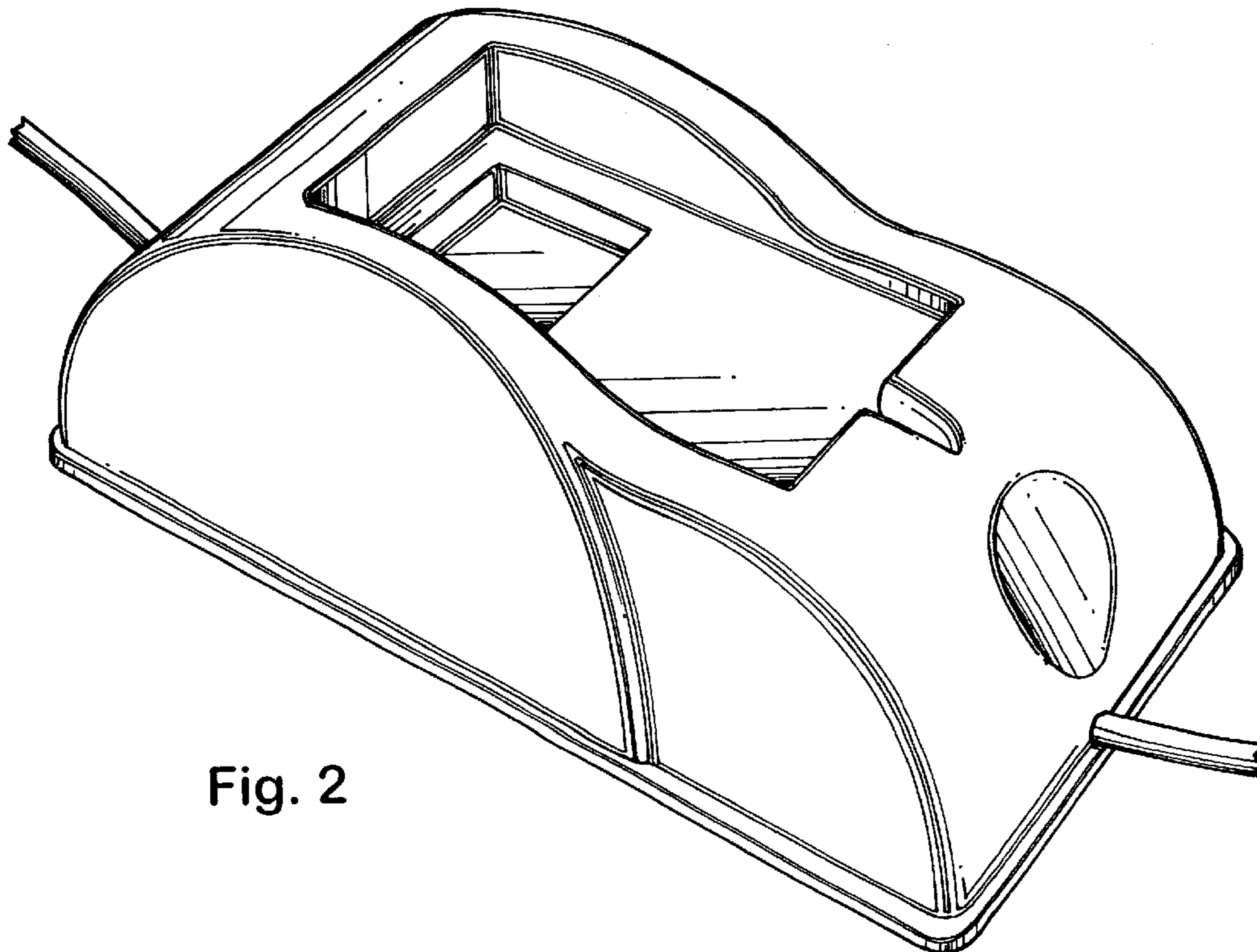


Fig. 2

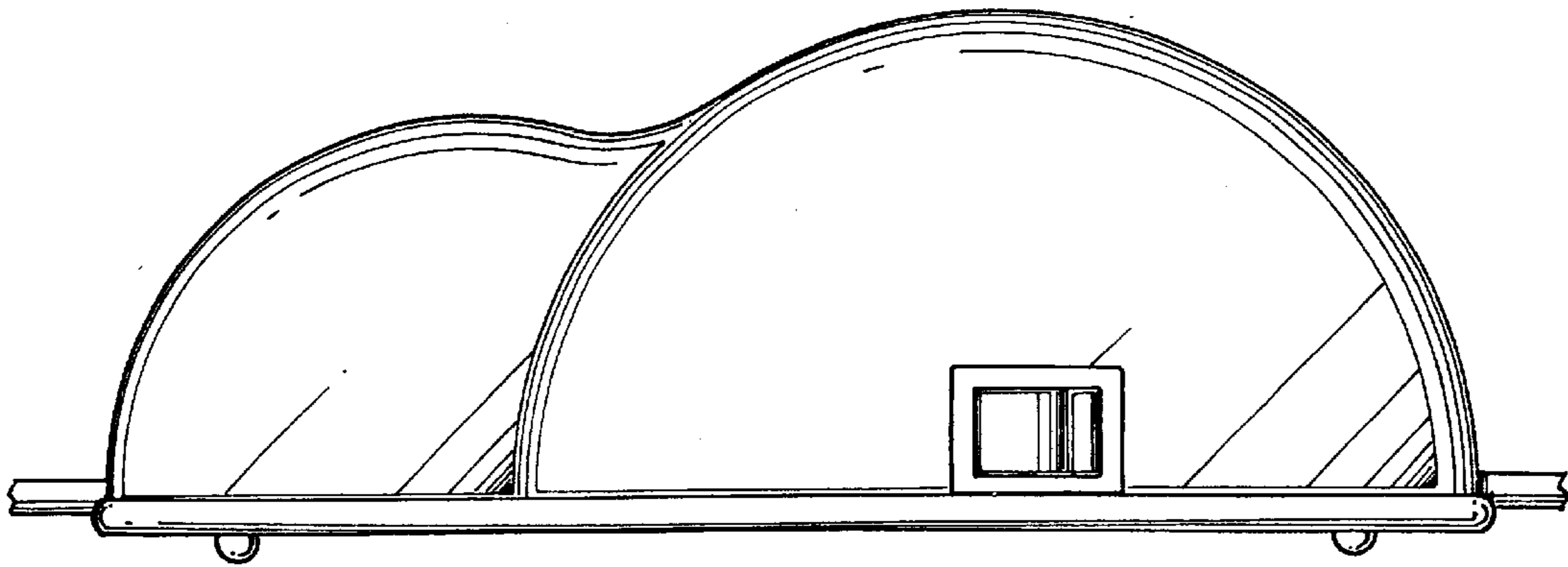


Fig. 3

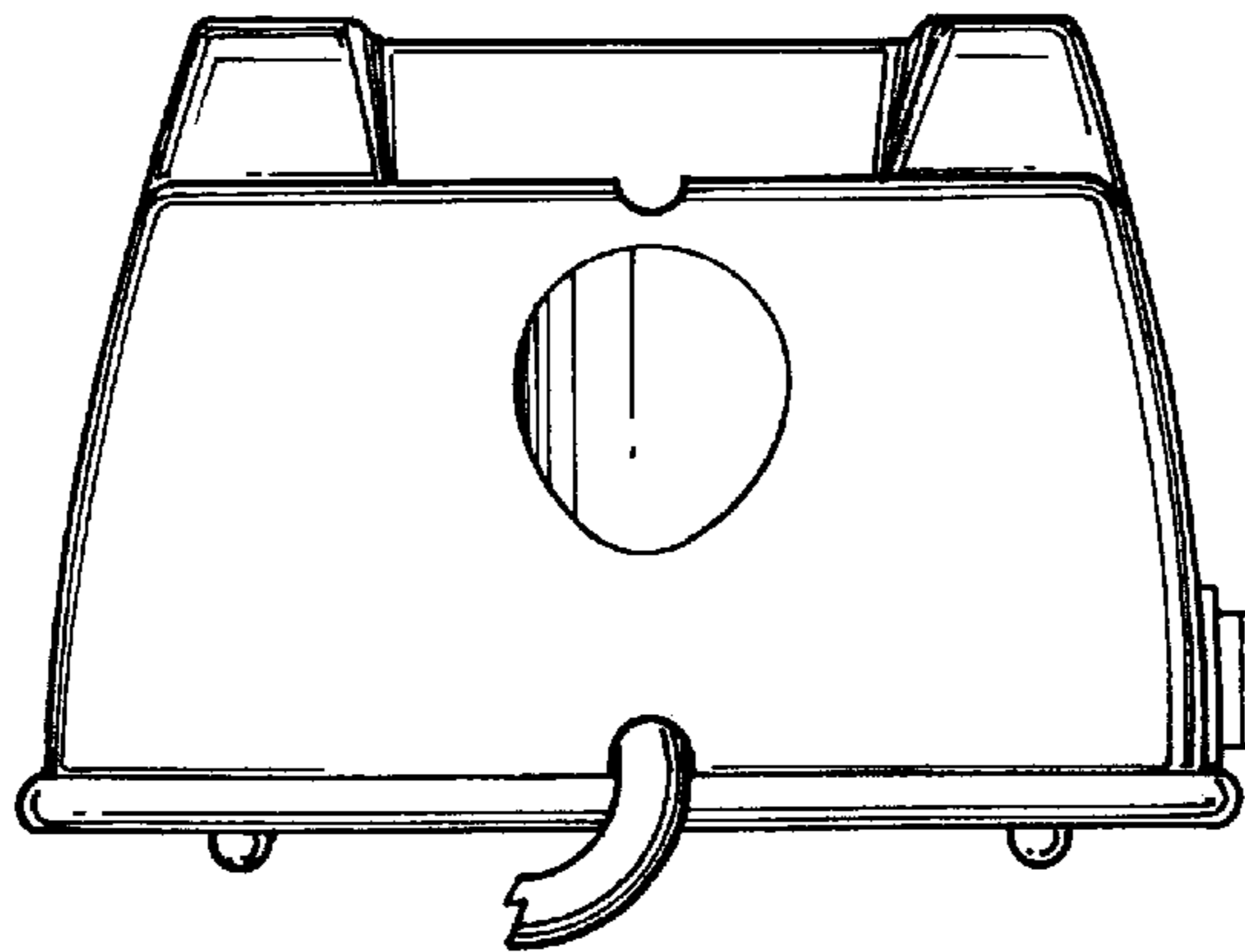


Fig. 4

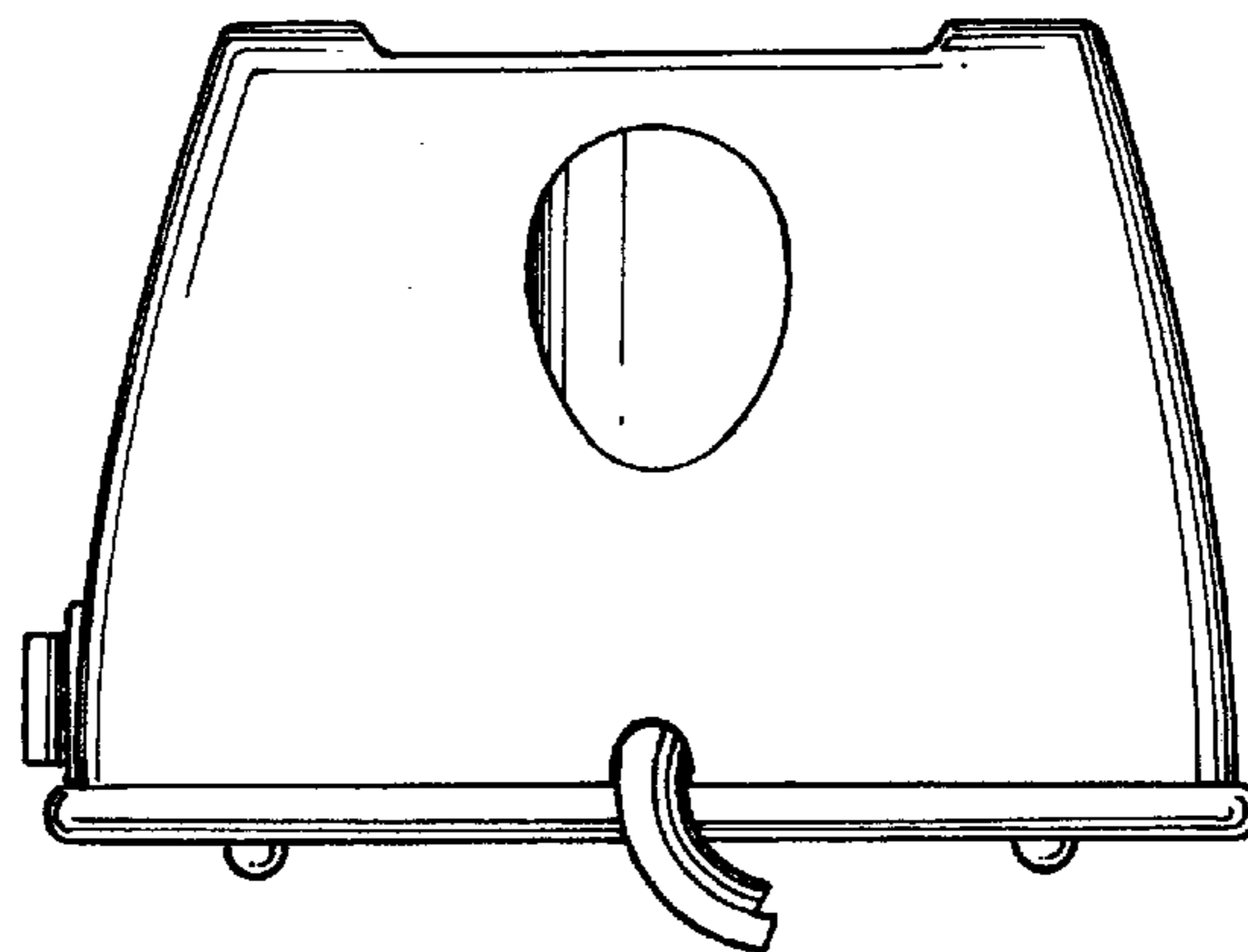


Fig. 5

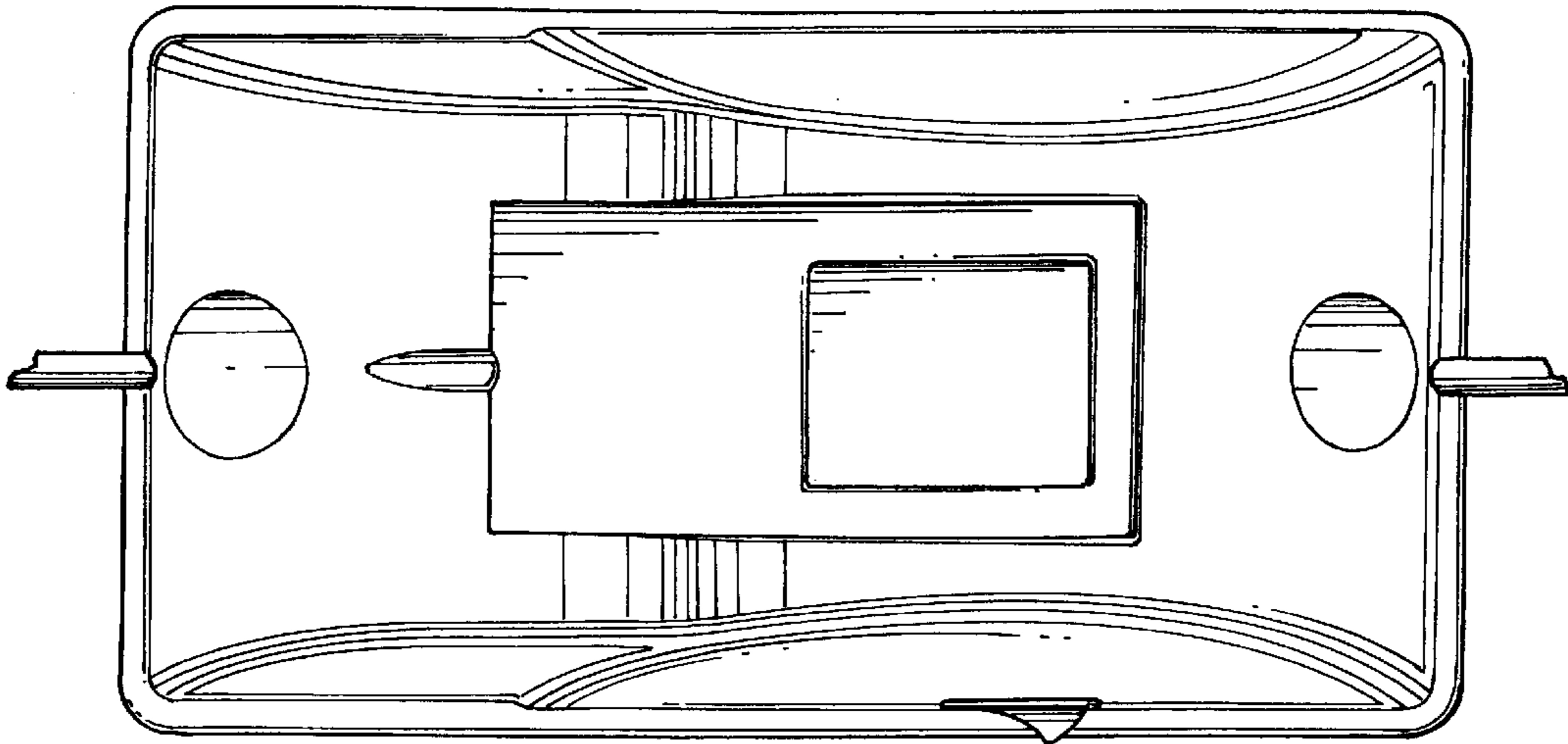


Fig. 6

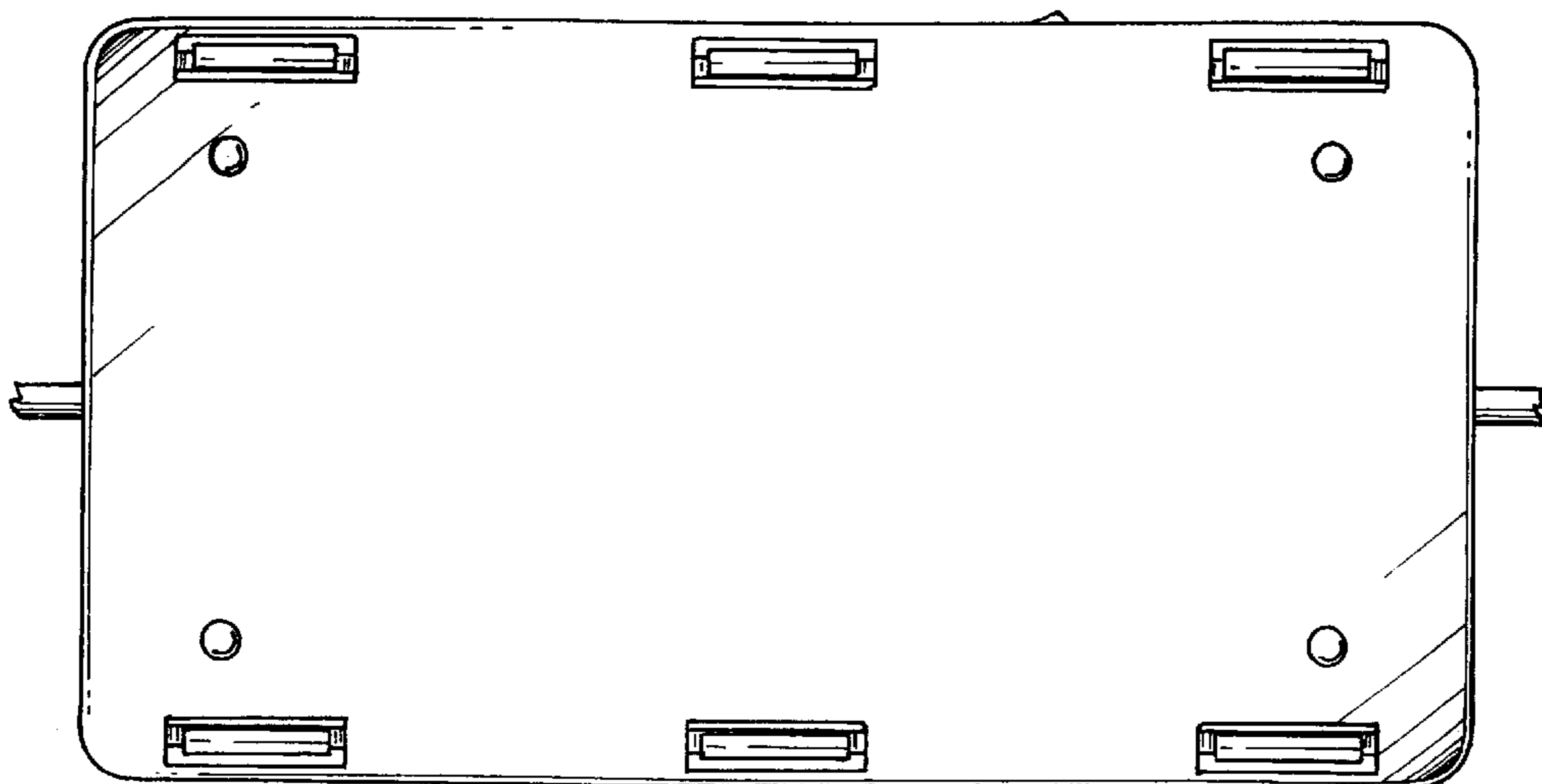


Fig. 7

UNITED STATES PATENT AND TRADEMARK OFFICE  
**CERTIFICATE OF CORRECTION**

PATENT NO. : Des. 538,940 S  
APPLICATION NO. : 29/244641  
DATED : March 20, 2007  
INVENTOR(S) : Baldacchini

Page 1 of 1

It is certified that error appears in the above-identified patent and that said Letters Patent is hereby corrected as shown below:

Title Page;

The inventor name at reference (12) reading "Baldachini" should read -- Baldacchini --.

The inventor name at reference (76) reading "Marcello Rinaldo Baldachini" should read -- Marcello Rinaldo Baldacchini --.

Signed and Sealed this

Third Day of July, 2007

A handwritten signature in black ink on a dotted background. The signature reads "Jon W. Dudas" in a cursive style.

JON W. DUDAS

*Director of the United States Patent and Trademark Office*