

US00D538933S

(12) **United States Design Patent**  
**Andrade**

(10) **Patent No.:** **US D538,933 S**

(45) **Date of Patent:** **\*\* Mar. 20, 2007**

(54) **COMBINED THYROID CORE BIOPSY  
NEEDLE AND BIOPSY CANNULA**

(76) Inventor: **Agustin Andrade**, 2121 S. Bayshore  
Dr., Miami, FL (US) 33133

(\*\*) Term: **14 Years**

(21) Appl. No.: **29/199,918**

(22) Filed: **Feb. 23, 2004**

(51) **LOC (8) Cl.** ..... **24-02**

(52) **U.S. Cl.** ..... **D24/146; D24/147**

(58) **Field of Classification Search** ..... D24/147,  
D24/146; 604/165, 164; 600/564, 566, 567  
See application file for complete search history.

(56) **References Cited**

**U.S. PATENT DOCUMENTS**

4,256,119	A	*	3/1981	Gauthier	.....	600/567
4,266,555	A	*	5/1981	Jamshidi	.....	600/566
4,543,966	A	*	10/1985	Islam et al.	.....	600/567
D289,198	S	*	4/1987	Karten	.....	D24/147
4,655,226	A	*	4/1987	Lee	.....	600/567
D300,243	S	*	3/1989	Lee	.....	D24/147
5,224,488	A	*	7/1993	Neuffer	.....	600/564
D358,645	S	*	5/1995	Ryan et al.	.....	D24/147
5,865,806	A	*	2/1999	Howell	.....	604/164.12

D436,664 S \* 1/2001 Lamoureux ..... D24/147

\* cited by examiner

*Primary Examiner*—Ian Simmons

*Assistant Examiner*—Christopher Lee

(74) *Attorney, Agent, or Firm*—Sanchelima & Assoc., P.A.

(57) **CLAIM**

The ornamental design for combined thyroid core biopsy  
needle and biopsy cannula, as shown and described.

**DESCRIPTION**

FIG. 1 is a side elevational view of a combined thyroid core  
biopsy needle and biopsy cannula showing my new design;  
FIG. 2 is an enlarged side elevational view thereof, the  
opposite side elevational view being identical thereto,  
wherein the tip of the needle is shown removed for ease of  
illustration;

FIG. 3 is a top plan view thereof;

FIG. 4 is a bottom plan view thereof;

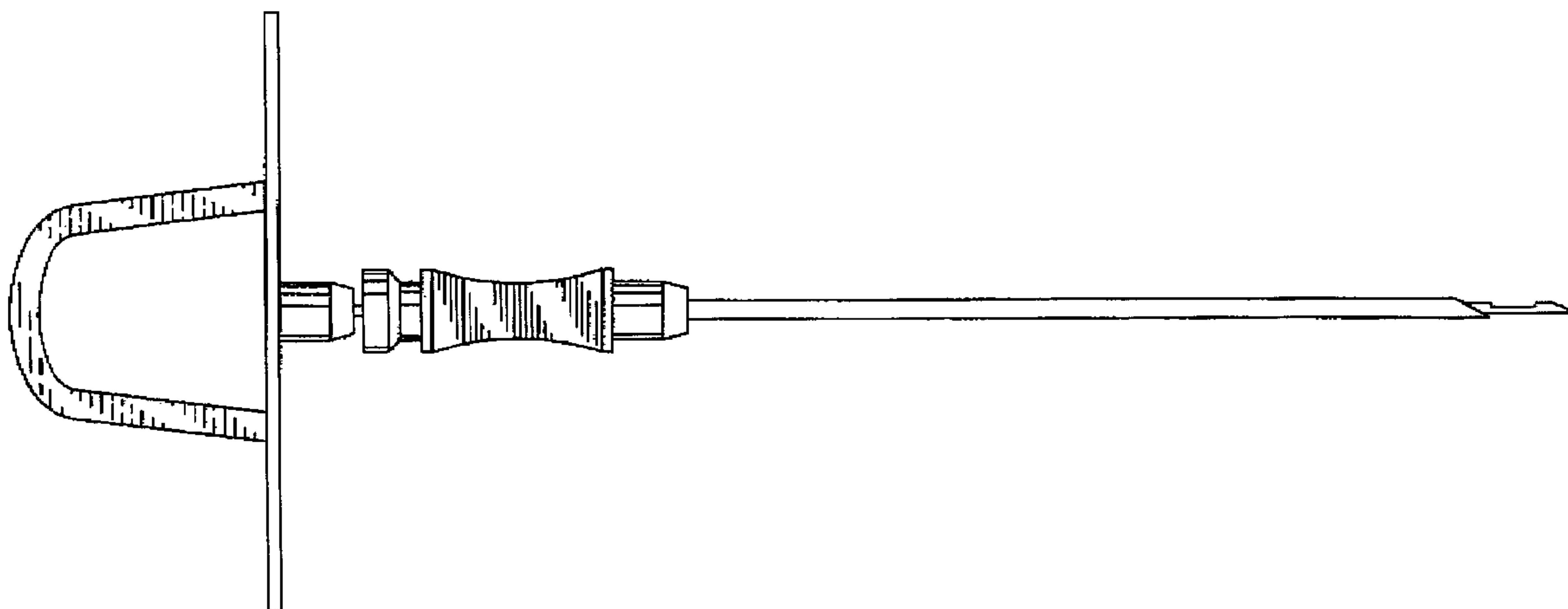
FIG. 5 is an end elevational view thereof;

FIG. 6 is a cross-sectional view thereof, taken along the  
6—6 of FIG. 2;

FIG. 7 is a cross-sectional view thereof, taken along the line  
7—7 of FIG. 2; and,

FIG. 8 is a cross-sectional view thereof, taken along the line  
8—8 of FIG. 2; showing my design.

**1 Claim, 2 Drawing Sheets**



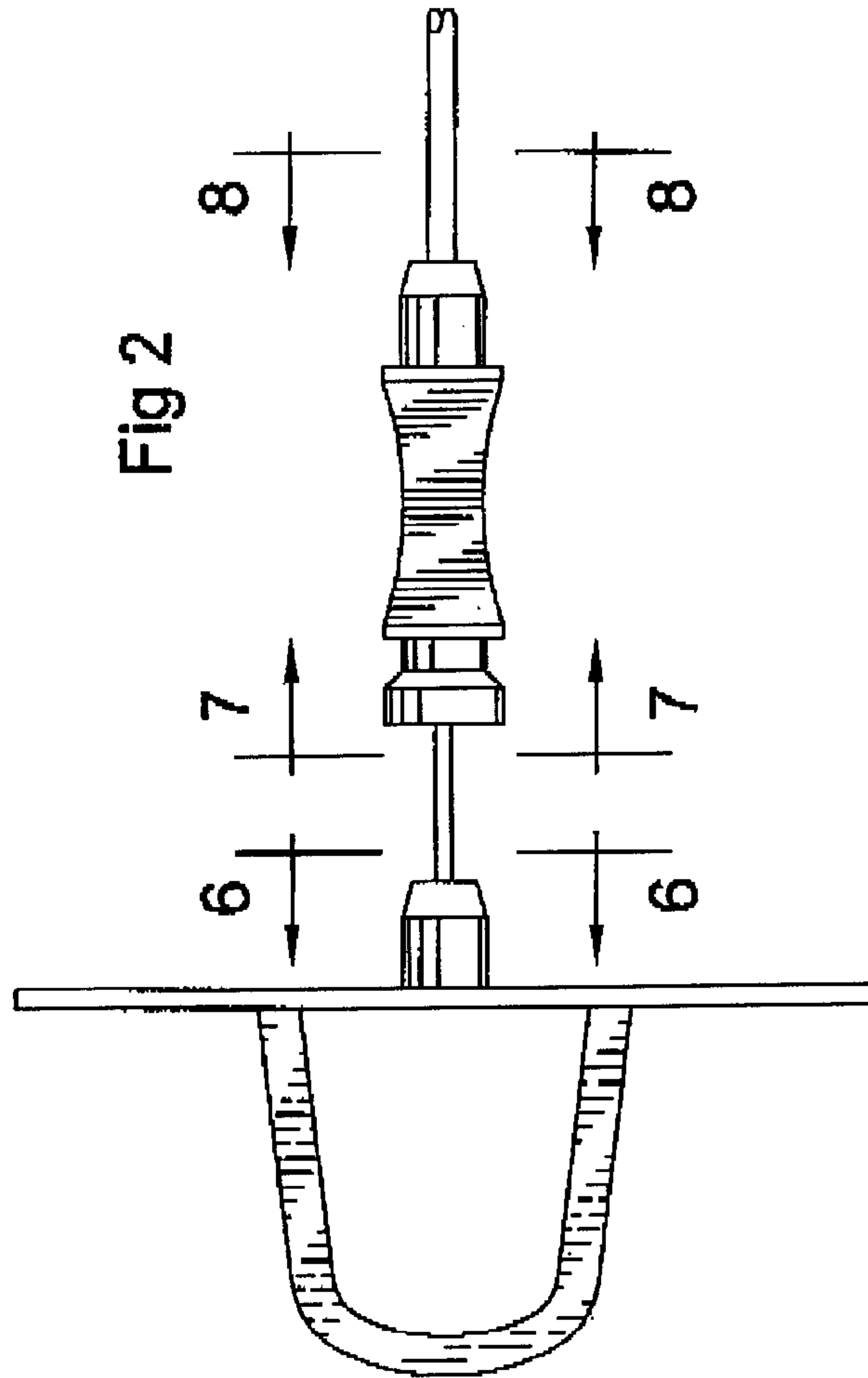
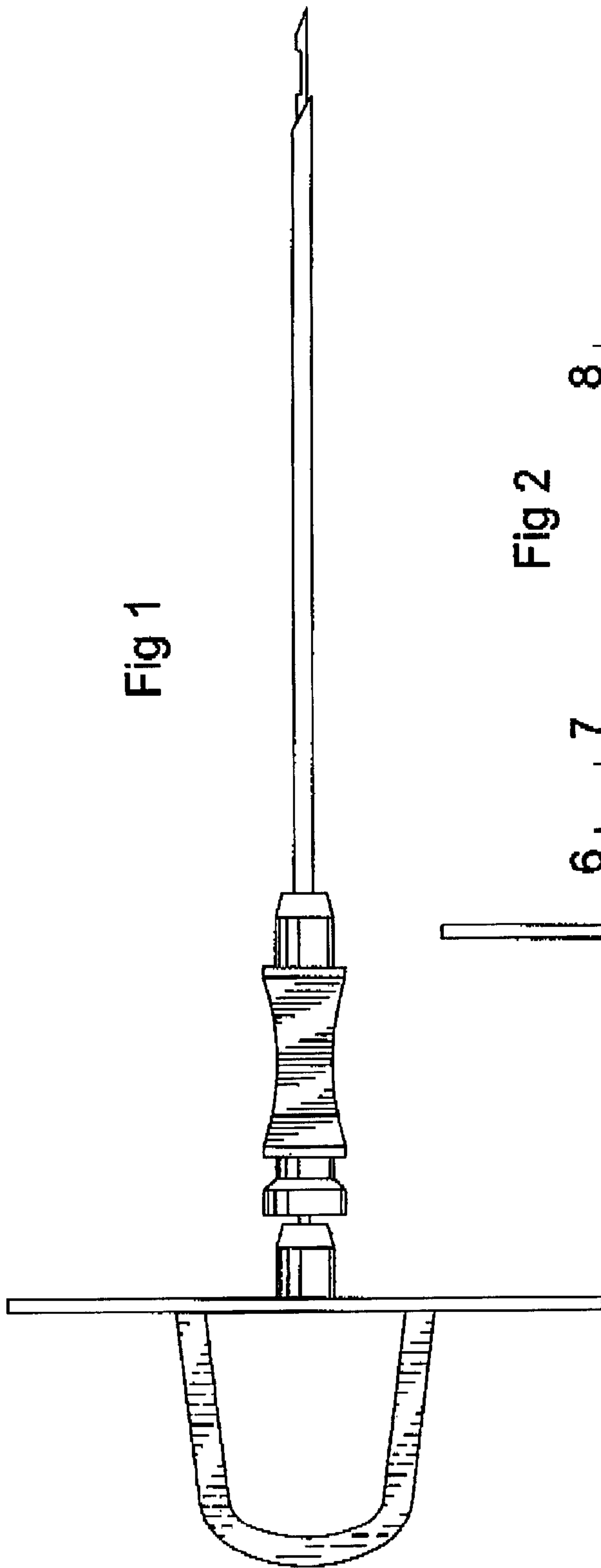


Fig 3

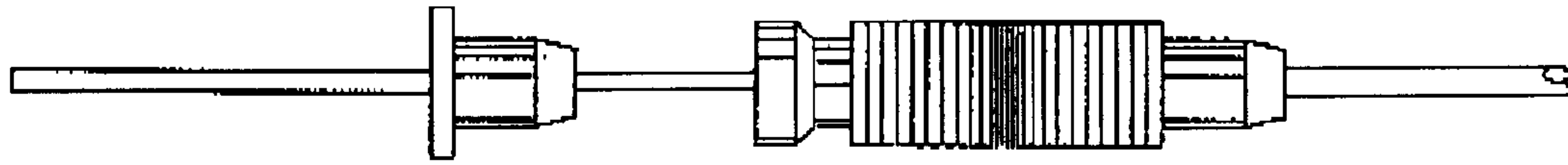


Fig 4

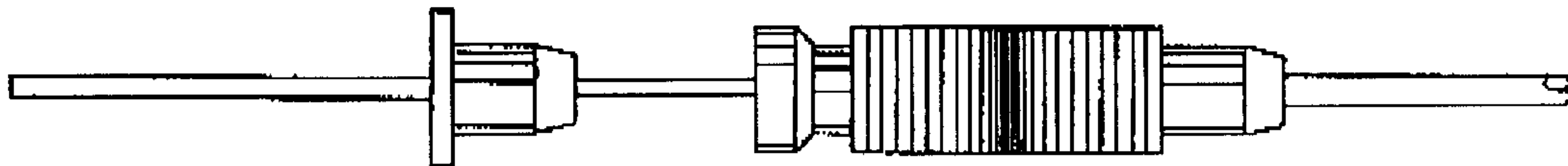


Fig 5

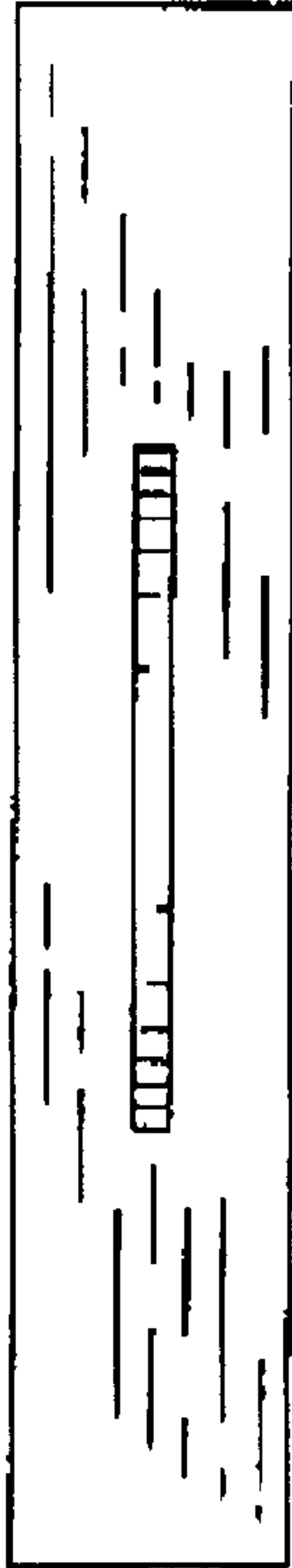


Fig 6

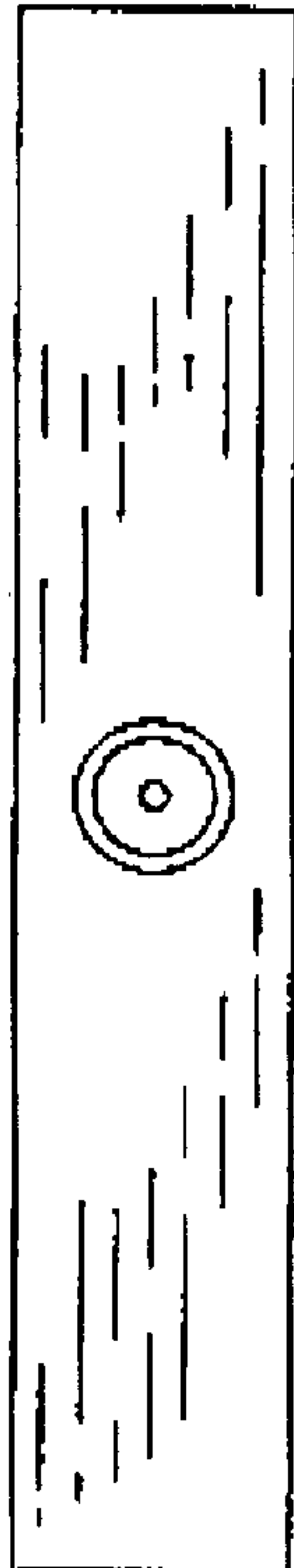


Fig 7



Fig 8

