



US00D538931S

(12) **United States Design Patent**
Oi

(10) **Patent No.:** **US D538,931 S**

(45) **Date of Patent:** **** Mar. 20, 2007**

(54) **HANDLE FOR A MEDICAL INSTRUMENT**

(75) Inventor: **Shizuo Oi**, Hyogo (JP)

(73) Assignee: **Karl Storz GmbH & Co. KG** (DE)

(**) Term: **14 Years**

(21) Appl. No.: **29/225,109**

(22) Filed: **Mar. 11, 2005**

(30) **Foreign Application Priority Data**

Sep. 14, 2004 (EM) 000227210

(51) **LOC (8) Cl.** **24-02**

(52) **U.S. Cl.** **D24/138**

(58) **Field of Classification Search** D24/138,
D24/147, 128, 133, 137, 145, 146; D8/300,
D8/302, 303; 600/127, 128, 129, 104, 106,
600/107

See application file for complete search history.

(56) **References Cited**

U.S. PATENT DOCUMENTS

D319,104 S * 8/1991 Grossi et al. D24/138

D480,807 S * 10/2003 Yardan et al. D24/138

* cited by examiner

Primary Examiner—Antoine D. Davis

Assistant Examiner—Christopher Lee

(74) *Attorney, Agent, or Firm*—St. Onge Steward Johnston
& Reens LLC

(57) **CLAIM**

The ornamental design for a handle for a medical instrument, as shown and described.

DESCRIPTION

FIG. 1 is a right side elevational view of a handle for a medical instrument in accordance with the new design;

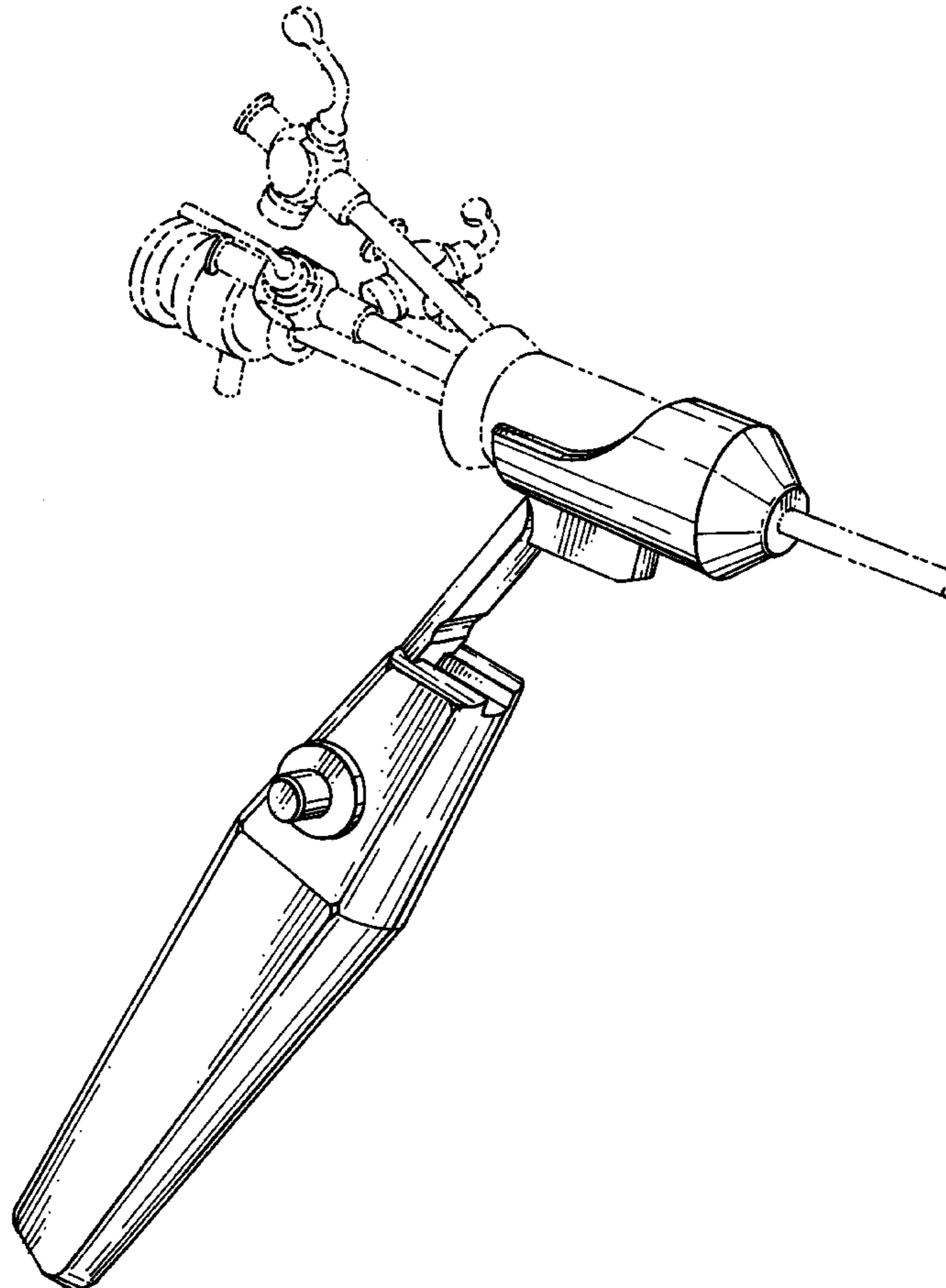
FIG. 2 is a left side elevational view of the handle for a medical instrument of FIG. 1;

FIG. 3 is a front elevational view of the handle for a medical instrument of FIG. 1;

FIG. 4 is a side isometric view of the handle for a medical instrument of FIG. 1; and,

FIG. 5 is a right side exploded elevational view of the handle for a medical instrument of FIG. 1.

1 Claim, 5 Drawing Sheets



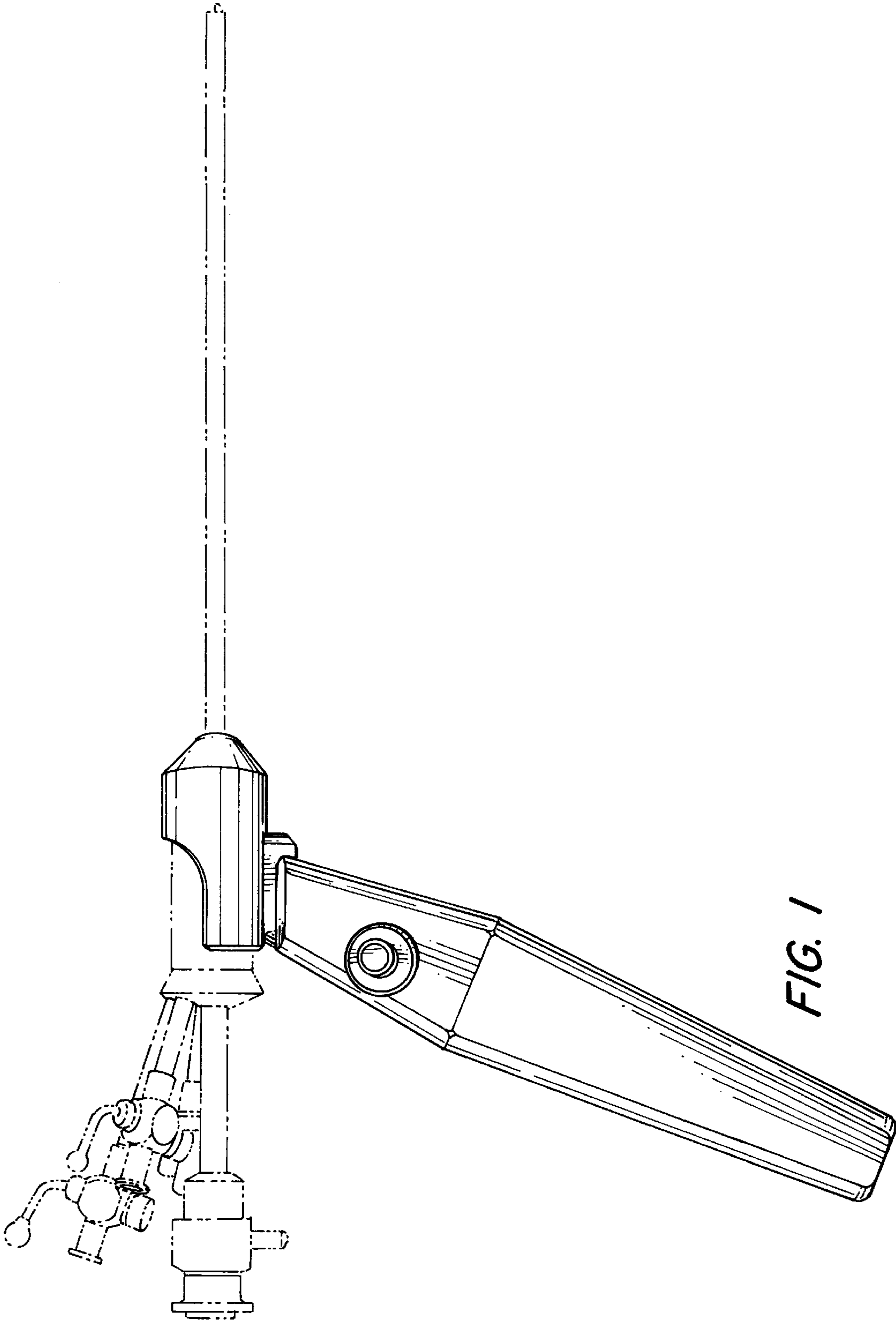


FIG. 1

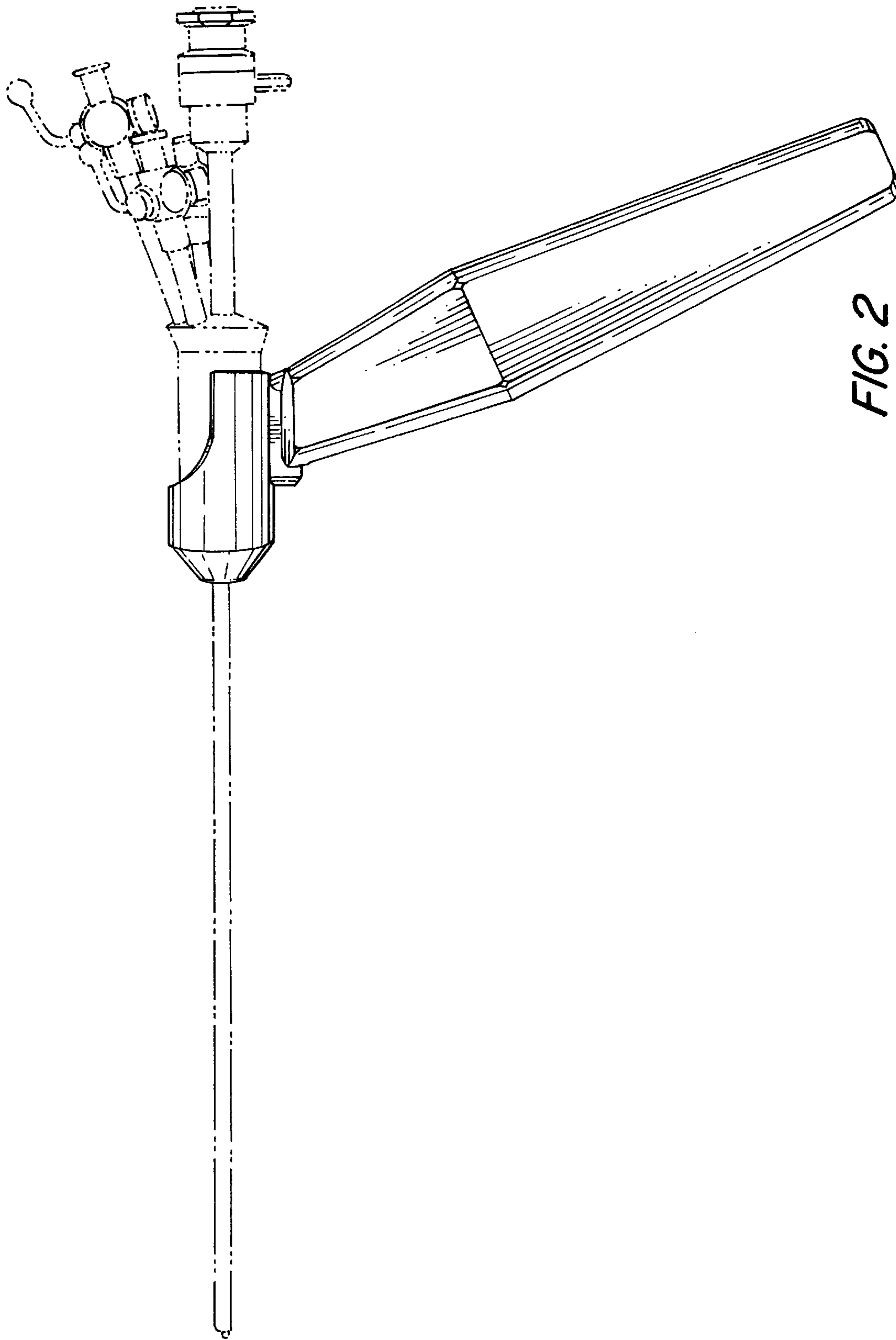


FIG. 2

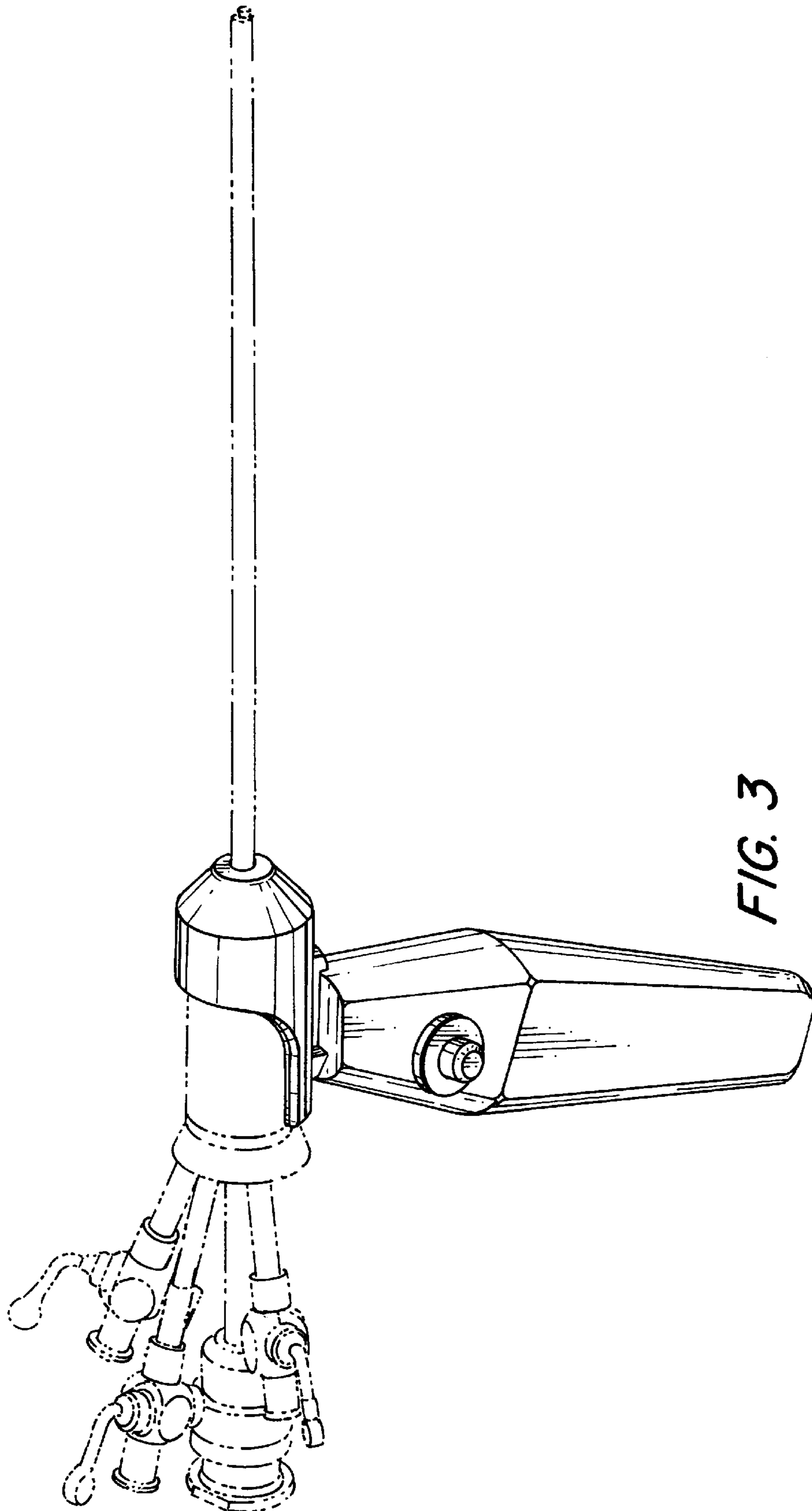


FIG. 3

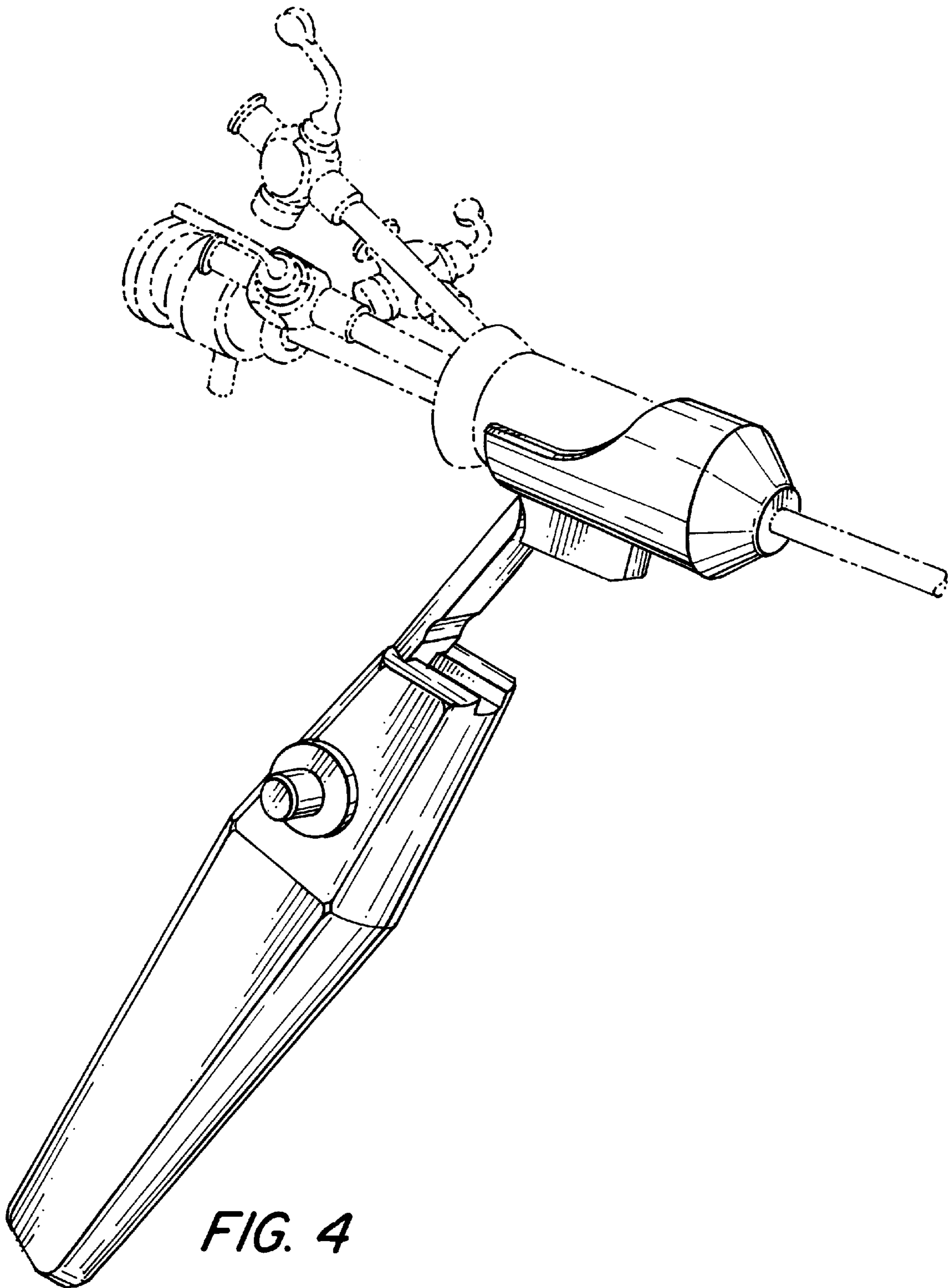


FIG. 4

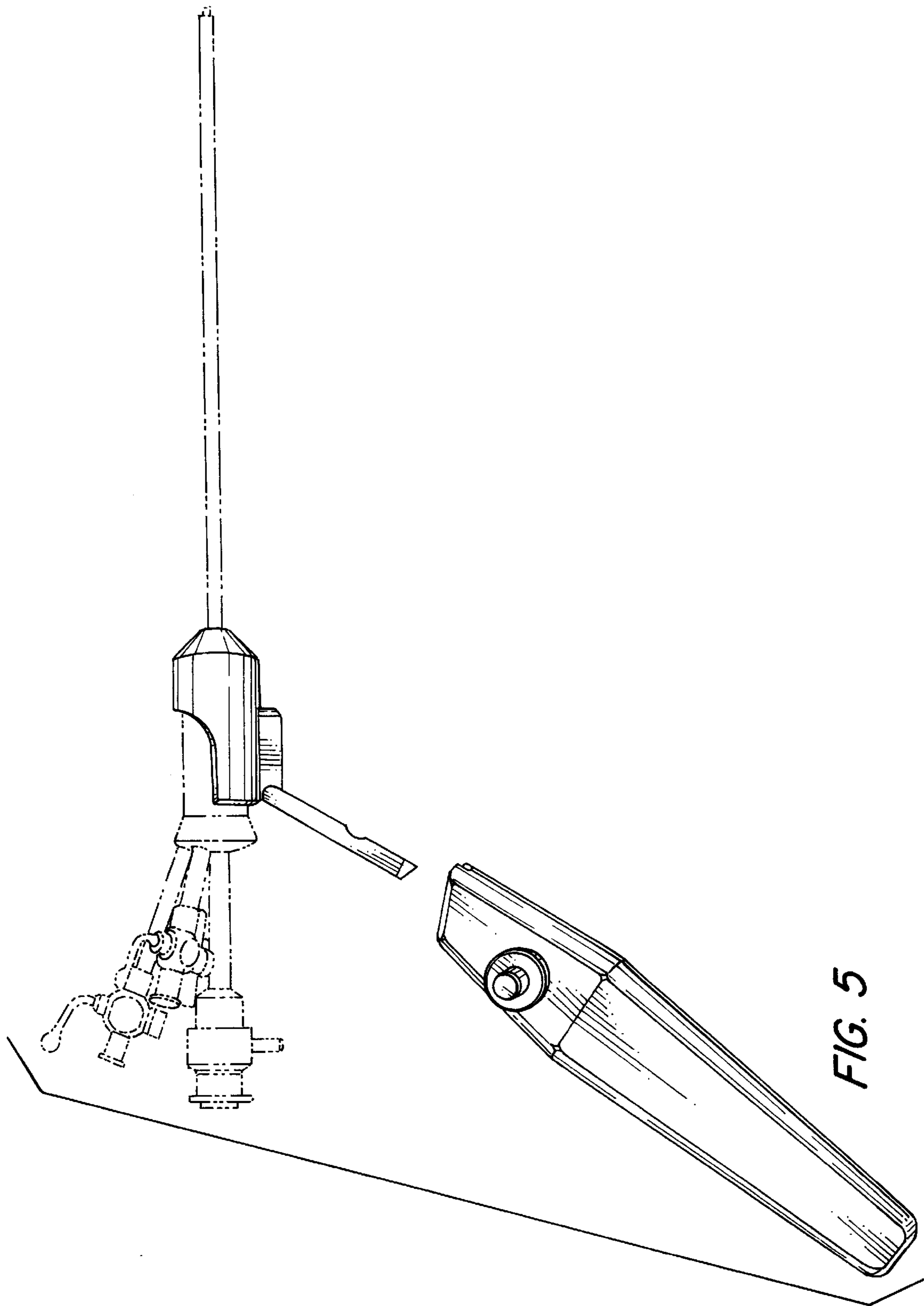


FIG. 5