



US00D538930S

(12) **United States Design Patent**  
**Tsubouchi et al.**

(10) **Patent No.:** **US D538,930 S**  
(45) **Date of Patent:** **\*\* Mar. 20, 2007**

(54) **PUNCTURE NEEDLE CARTRIDGE**  
(75) Inventors: **Toshiharu Tsubouchi**, Touon (JP);  
**Nobue Umabayashi**, Touon (JP);  
**Noriyuki Shinohara**, Niihama (JP)  
(73) Assignee: **Matsushita Electric Industrial Co., Ltd.**, Osaka (JP)  
(\*\*) Term: **14 Years**

D393,717 S 4/1998 Brenneman et al.  
D405,882 S \* 2/1999 Yale ..... D24/112  
D411,619 S 6/1999 Duchon  
D442,105 S 5/2001 Lloyd et al.  
D484,244 S 12/2003 Starnes  
6,923,783 B2 \* 8/2005 Pasqualucci ..... 604/27  
2005/0065476 A1 \* 3/2005 Jensen et al. .... 604/197  
2005/0145520 A1 \* 7/2005 Ilo et al. .... 206/365  
2006/0200095 A1 \* 9/2006 Steube ..... 604/272  
2006/0229652 A1 \* 10/2006 Iio et al. .... 606/182

(21) Appl. No.: **29/232,968**

(22) Filed: **Jun. 24, 2005**

(30) **Foreign Application Priority Data**

Jan. 28, 2005 (JP) ..... 2005-002236

(51) **LOC (8) Cl.** ..... **24-02**

(52) **U.S. Cl.** ..... **D24/113**

(58) **Field of Classification Search** ..... D24/113,  
D24/112, 130, 146, 147; 206/365; 604/264,  
604/206, 47, 197, 27, 272; 606/167, 182  
See application file for complete search history.

(56) **References Cited**

**U.S. PATENT DOCUMENTS**

3,092,108 A \* 6/1963 Friedman ..... 604/206  
4,148,316 A \* 4/1979 Xanthopoulos ..... 604/192  
D264,378 S 5/1982 Thomas et al.  
4,553,541 A \* 11/1985 Burns ..... 606/182  
4,676,244 A \* 6/1987 Enstrom ..... 606/181  
D297,459 S 8/1988 Heiland et al.  
4,798,582 A \* 1/1989 Sarath et al. .... 604/47  
D322,479 S \* 12/1991 Miyaguchi ..... D24/147  
5,074,872 A \* 12/1991 Brown et al. .... 606/182  
D323,556 S \* 1/1992 Miyaguchi ..... D24/147  
D332,490 S \* 1/1993 Brown et al. .... D24/130  
D336,335 S 6/1993 Poulsen  
D342,573 S \* 12/1993 Cerola ..... D24/147  
D362,719 S 9/1995 Kaplan  
D365,630 S \* 12/1995 Sullivan ..... D24/112  
D376,649 S 12/1996 Kim  
5,603,702 A \* 2/1997 Smith et al. .... 604/256  
D379,516 S 5/1997 Rutter  
D387,865 S \* 12/1997 Peckham et al. .... D24/146  
D393,716 S 4/1998 Brenneman et al.

**FOREIGN PATENT DOCUMENTS**

JP 824103 12/1991  
JP 833301 4/1992  
JP 848648 9/1992  
JP 858196 1/1993  
JP 949142 3/1996  
JP 952311 4/1996  
JP 1000266 1/1998  
JP 1052974 10/1999  
JP 1054592 11/1999  
JP 1136476 3/2002  
JP 1137022 3/2002  
JP 1138946 4/2002

\* cited by examiner

*Primary Examiner*—Louis Zarfaz  
*Assistant Examiner*—David Muller  
(74) *Attorney, Agent, or Firm*—Brinks Hofer Gilson & Lione

(57) **CLAIM**

We claim the ornamental design for a puncture needle cartridge, as shown and described.

**DESCRIPTION**

FIG. 1 is a top perspective view of a puncture needle cartridge of the present invention; FIG. 2 is a first side view thereof; FIG. 3 is a second side view thereof; FIG. 4 is a third side view thereof; FIG. 5 is a fourth side view thereof; FIG. 6 is a top view thereof; and, FIG. 7 is a bottom view thereof.

**1 Claim, 4 Drawing Sheets**

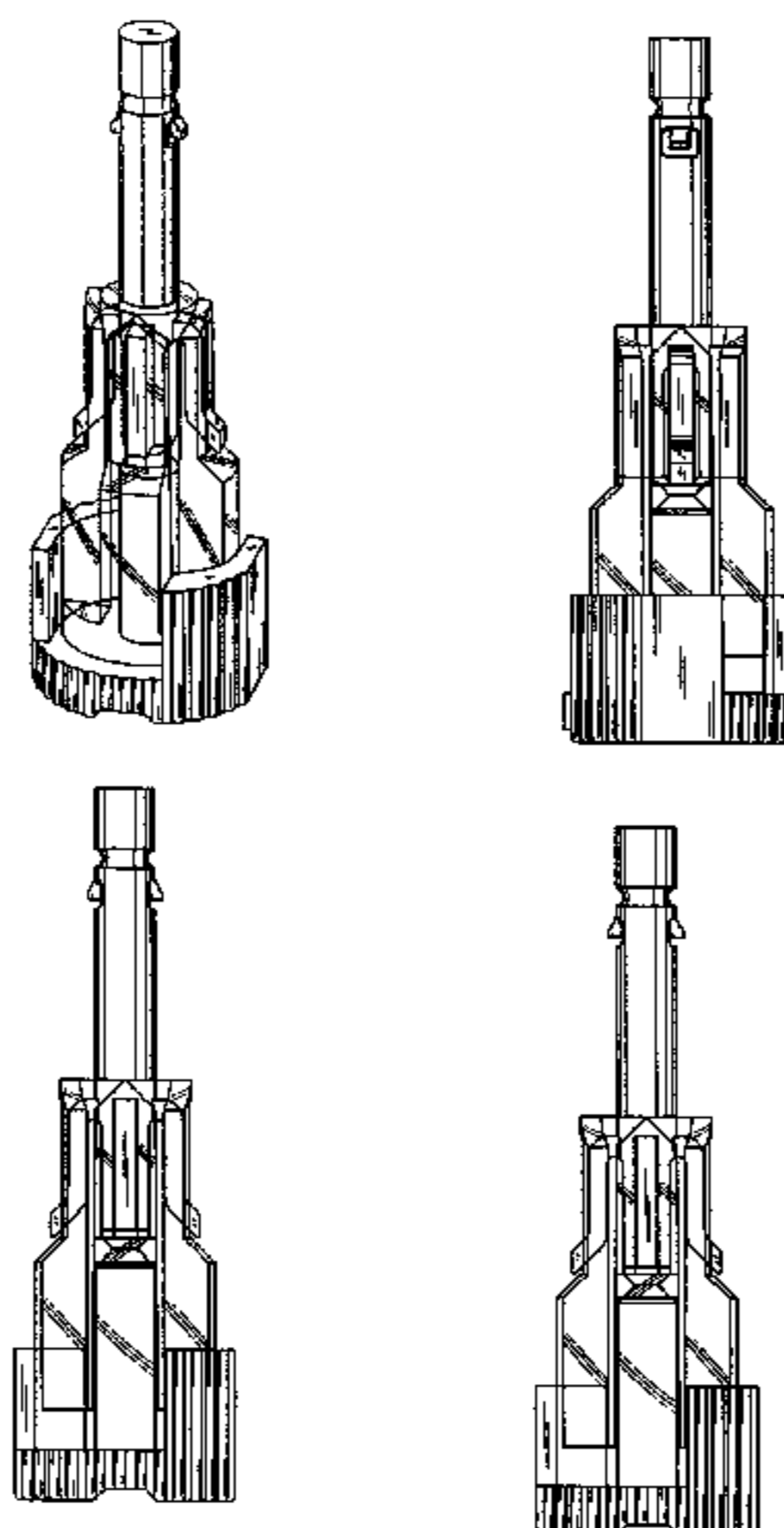


Fig. 1

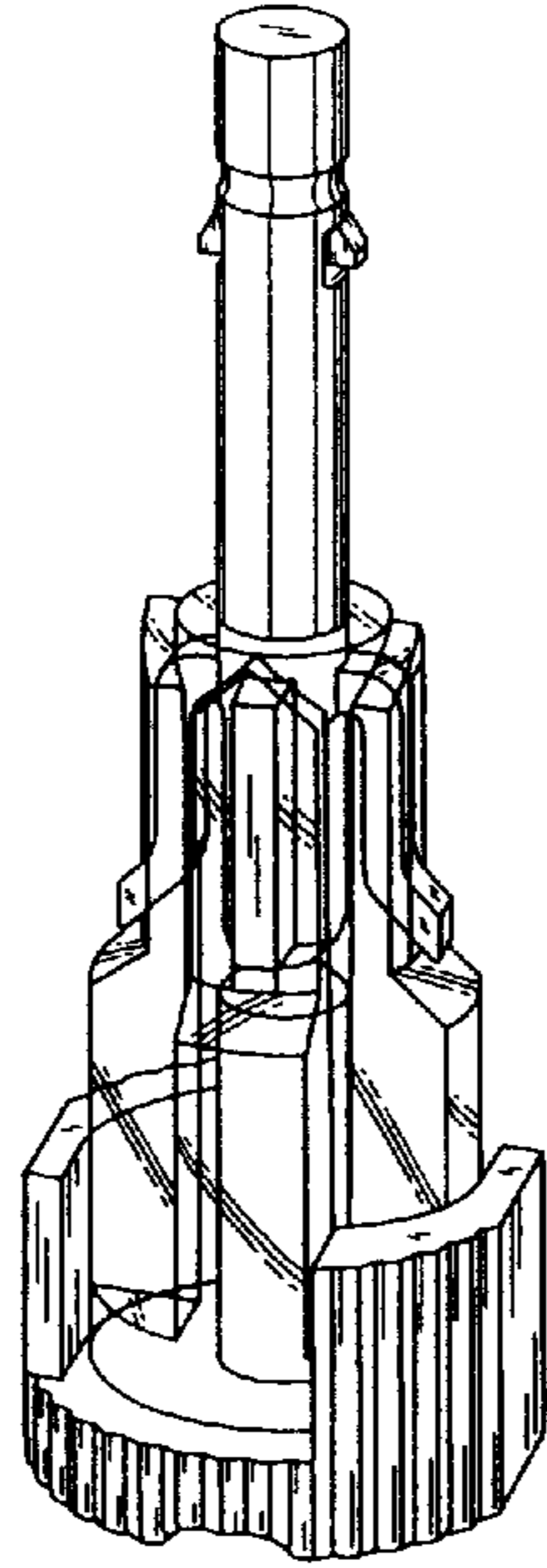


Fig. 2

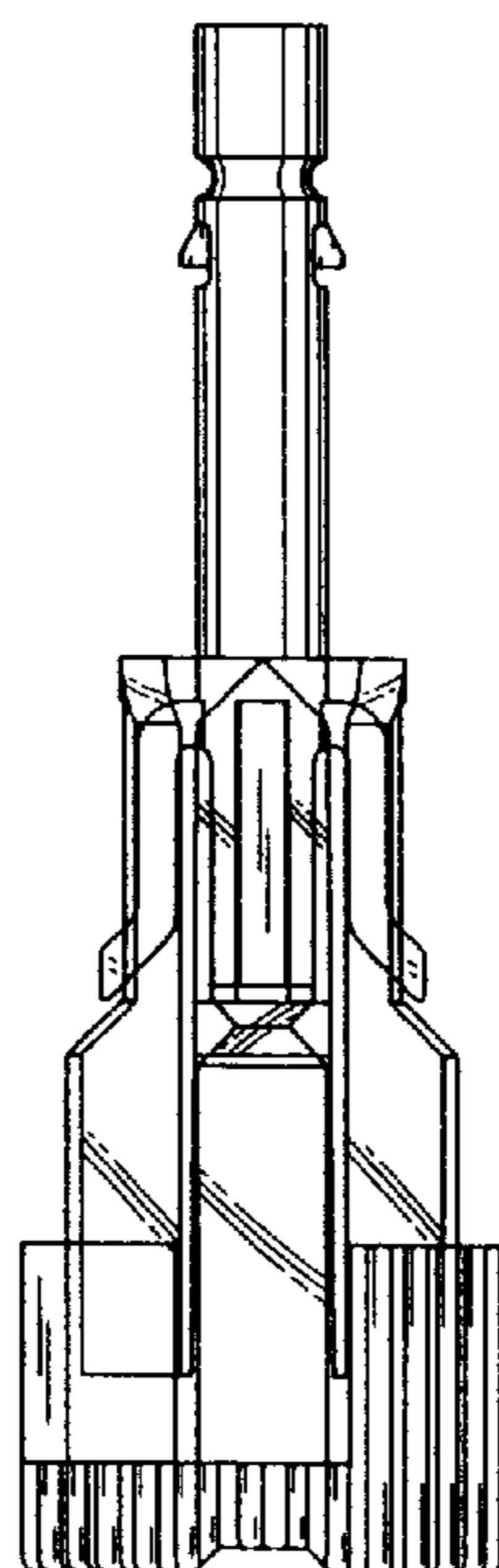


Fig.3

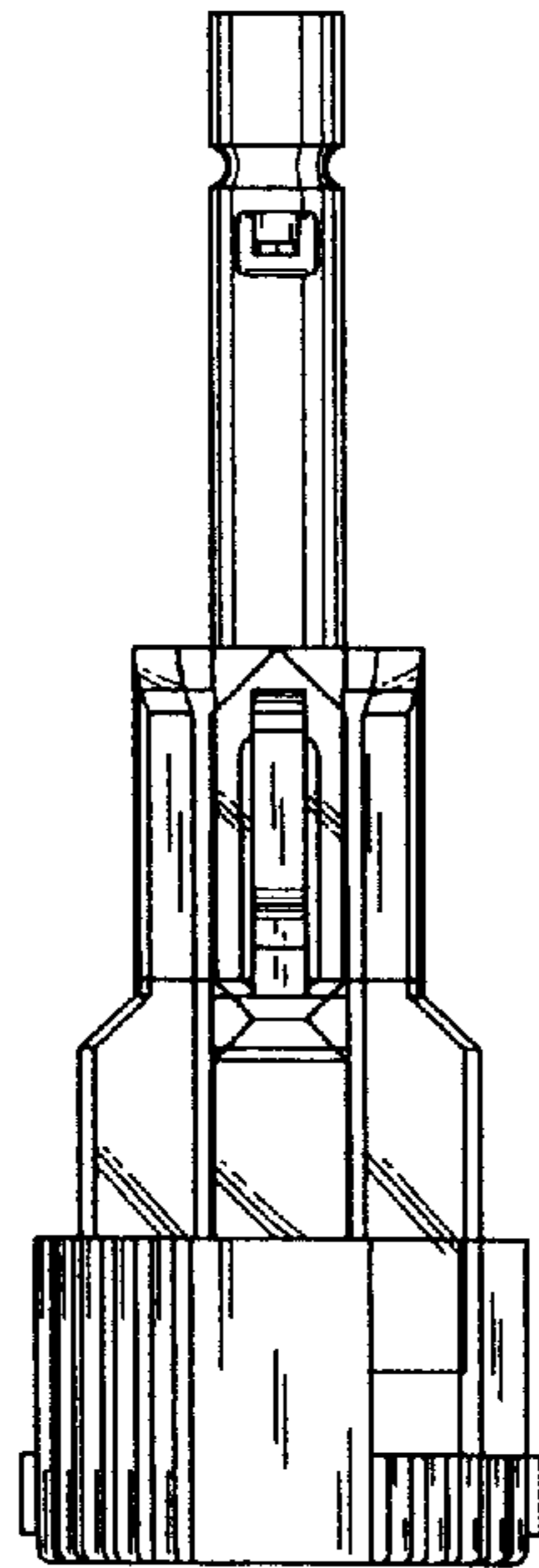


Fig.4

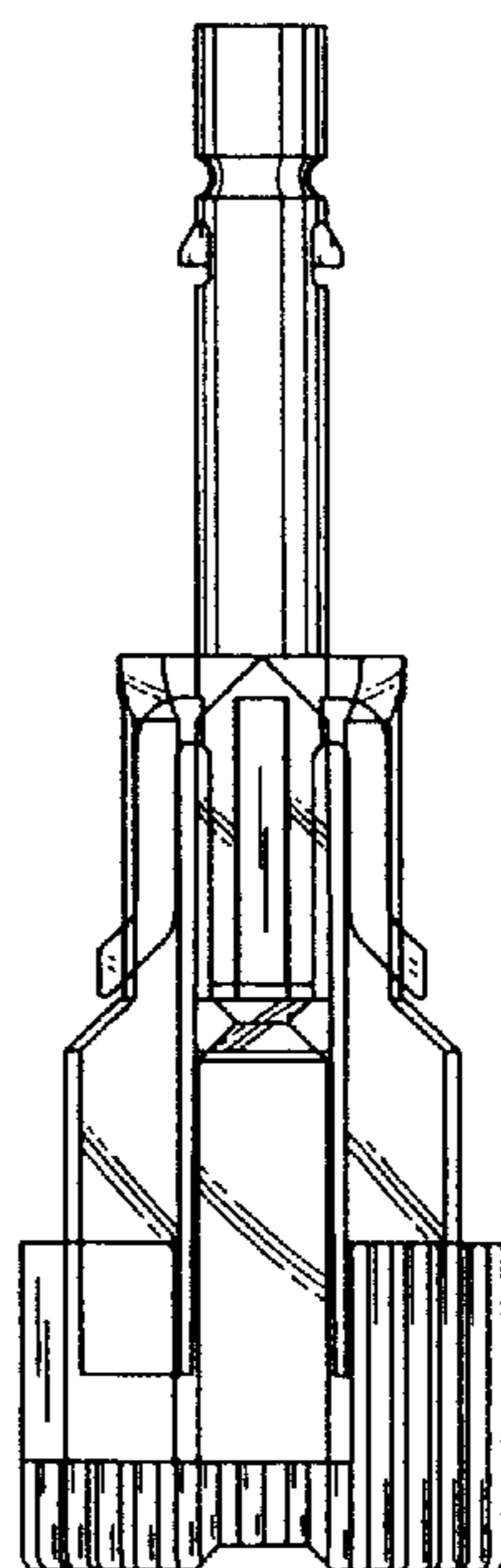


Fig.5

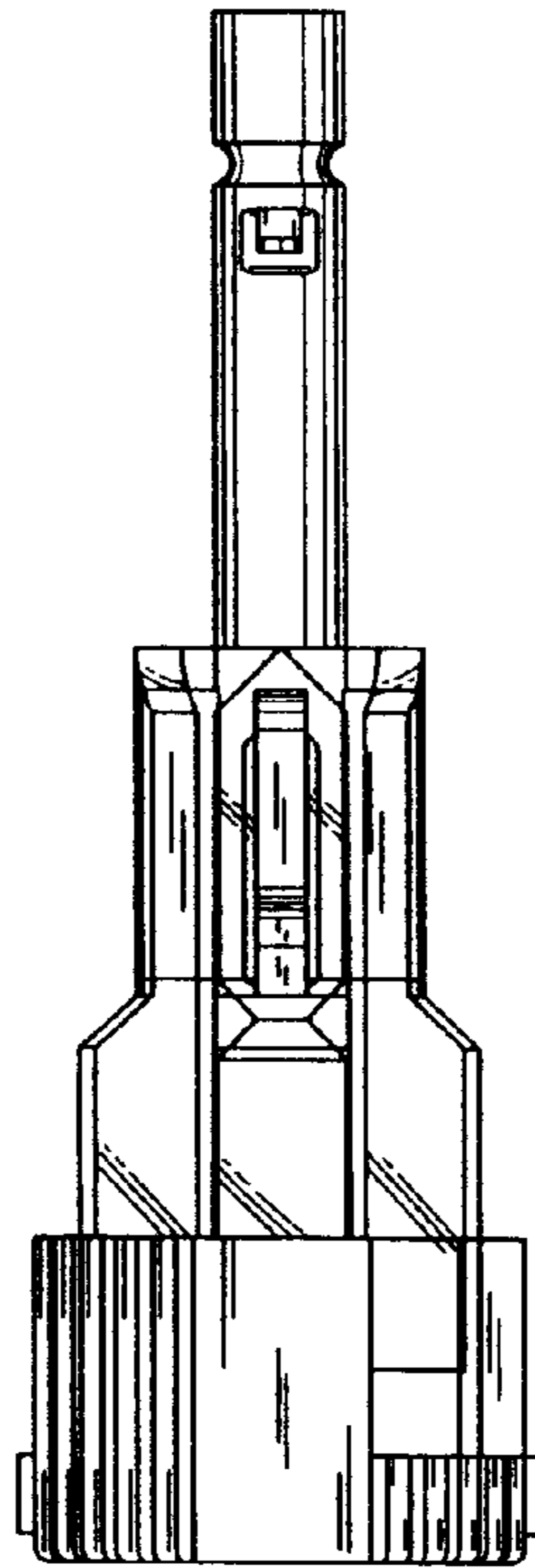
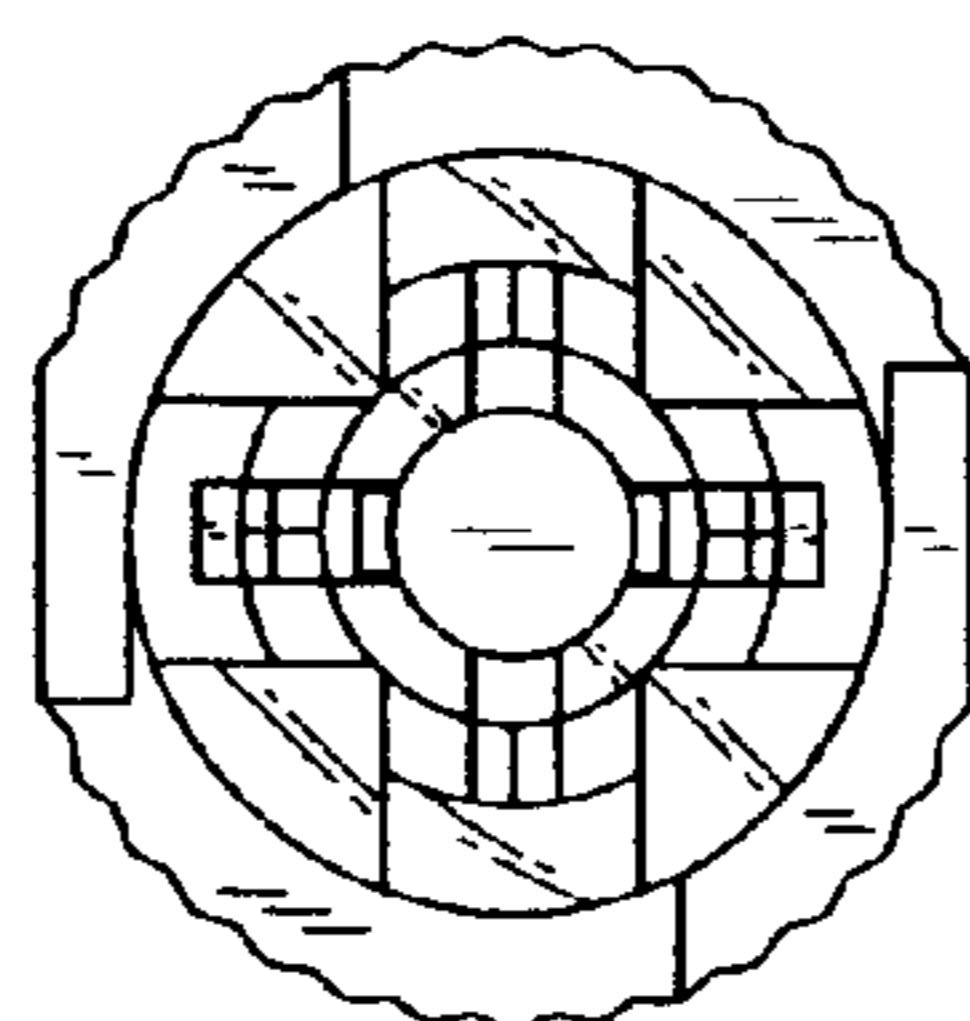


Fig.6



# Fig 7

