



US00D538929S

(12) **United States Design Patent**
Chuang

(10) **Patent No.:** **US D538,929 S**

(45) **Date of Patent:** **** Mar. 20, 2007**

(54) **JET NOZZLE FOR AN ORAL IRRIGATOR WITH A TONGUE SCRAPER**

(75) Inventor: **Chung-Ming Chuang**, Tainan Hsien (TW)

(73) Assignee: **Ya Horng Electronic Co., Ltd.**, Antin Hsiang (TW)

(**) Term: **14 Years**

(21) Appl. No.: **29/238,752**

(22) Filed: **Sep. 20, 2005**

(51) **LOC (8) Cl.** **24-02**

(52) **U.S. Cl.** **D24/112**

(58) **Field of Classification Search** D24/112, D24/146, 147, 111, 152, 176, 113; 606/161; D4/108; 433/80; 132/325; 601/162; 401/289

See application file for complete search history.

(56) **References Cited**

U.S. PATENT DOCUMENTS

D238,108 S	*	12/1975	Cooke	D24/147
D358,884 S	*	5/1995	Vos	D24/113
D384,153 S	*	9/1997	Potti et al.	D24/147
D385,962 S	*	11/1997	Conrey	D24/147
D392,386 S	*	3/1998	Nguyen	D24/147
D404,487 S	*	1/1999	Bertella	D24/147
5,876,201 A	*	3/1999	Wilson et al.	433/80
D408,534 S	*	4/1999	Jansheski	D24/147
5,984,935 A	*	11/1999	Welt et al.	606/161
D420,742 S	*	2/2000	Noble	D24/146
D432,654 S	*	10/2000	Phung	D24/152
6,139,558 A	*	10/2000	Wagner	606/161

D435,651 S	*	12/2000	Hartwein	D24/111
6,171,323 B1	*	1/2001	Potti et al.	606/161
D438,954 S	*	3/2001	Orsing	D24/112
6,363,949 B1	*	4/2002	Brown	132/325
6,440,149 B1	*	8/2002	Potti	606/161
D484,971 S	*	1/2004	Hartwein	D24/111
D527,821 S	*	9/2006	Cwik	D24/147
D528,207 S	*	9/2006	Kling	D24/146
D528,208 S	*	9/2006	Moriyama	D24/152
D529,174 S	*	9/2006	Kling et al.	D24/146
2002/0193716 A1	*	12/2002	Bachman et al.	601/162
2003/0053847 A1	*	3/2003	Carlucci et al.	401/289
2006/0025791 A1	*	2/2006	Ripich et al.	606/161
2006/0052805 A1	*	3/2006	Cwik	606/161

* cited by examiner

Primary Examiner—Louis Zarfaz

Assistant Examiner—David Muller

(74) *Attorney, Agent, or Firm*—Alan D. Kamrath; Nikolai & Mersereau, P.A.

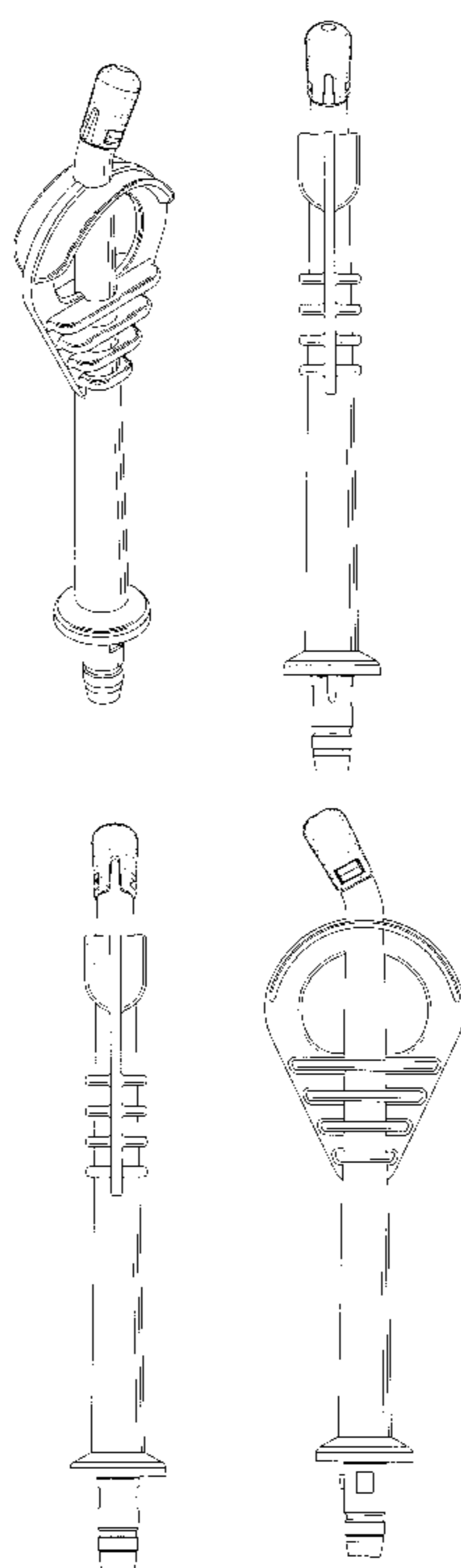
(57) **CLAIM**

The ornamental design for a jet nozzle for an oral irrigator with a tongue scraper, as shown and described.

DESCRIPTION

FIG. 1 is a perspective view of a jet nozzle for an oral irrigator with a tongue scraper showing my design; FIG. 2 is a front elevational view thereof; FIG. 3 is a rear elevational view thereof; FIG. 4 is a left side elevational view thereof; FIG. 5 is a right side elevational view thereof; FIG. 6 is a top plan view thereof; and, FIG. 7 is a bottom plan view thereof.

1 Claim, 4 Drawing Sheets



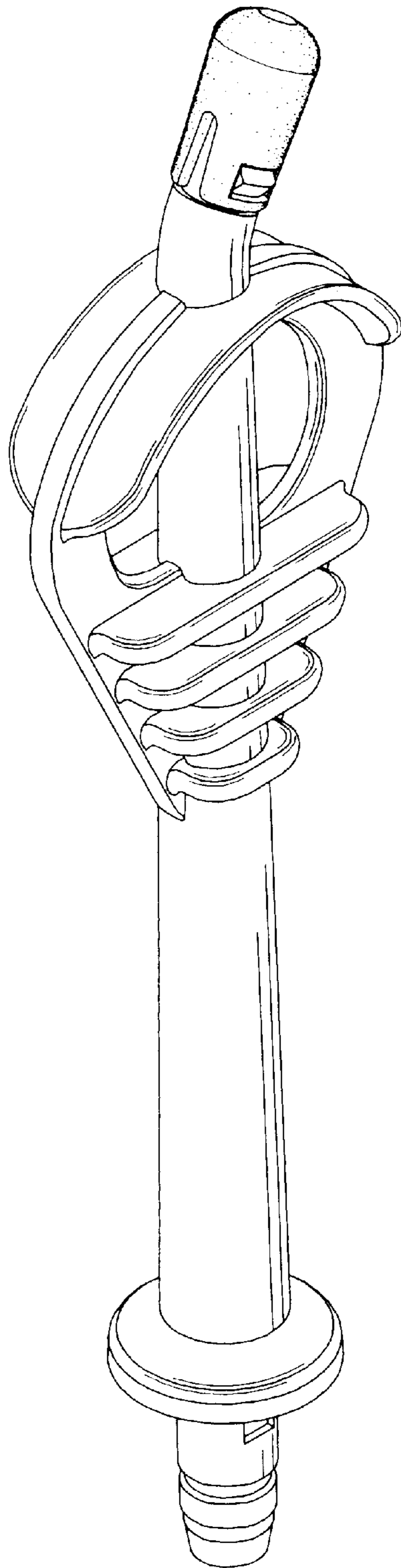


FIG.1

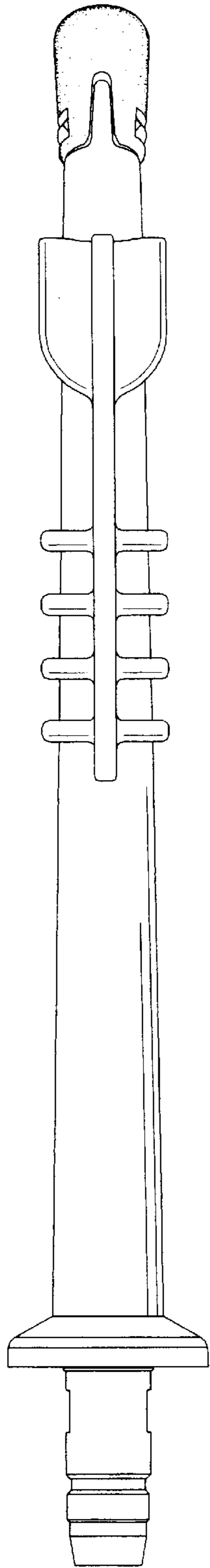


FIG. 2

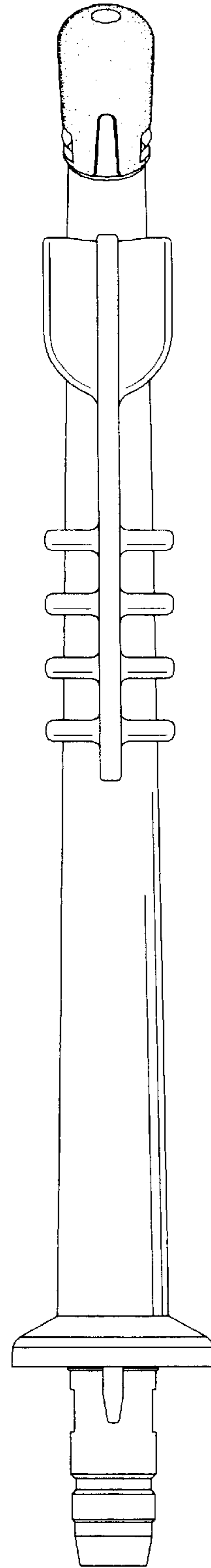


FIG. 3

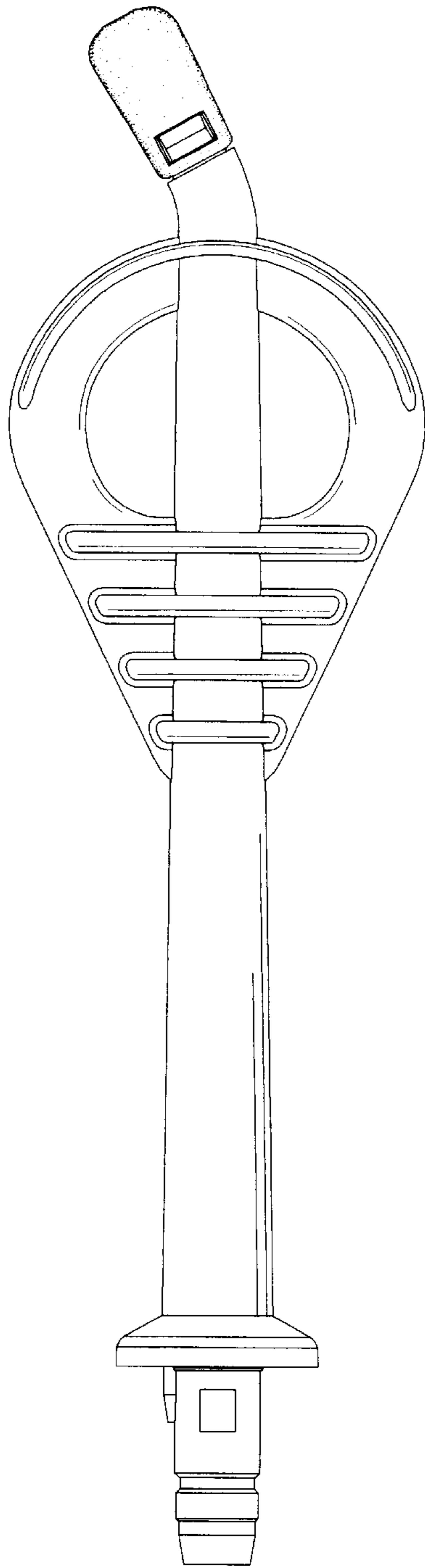


FIG.4

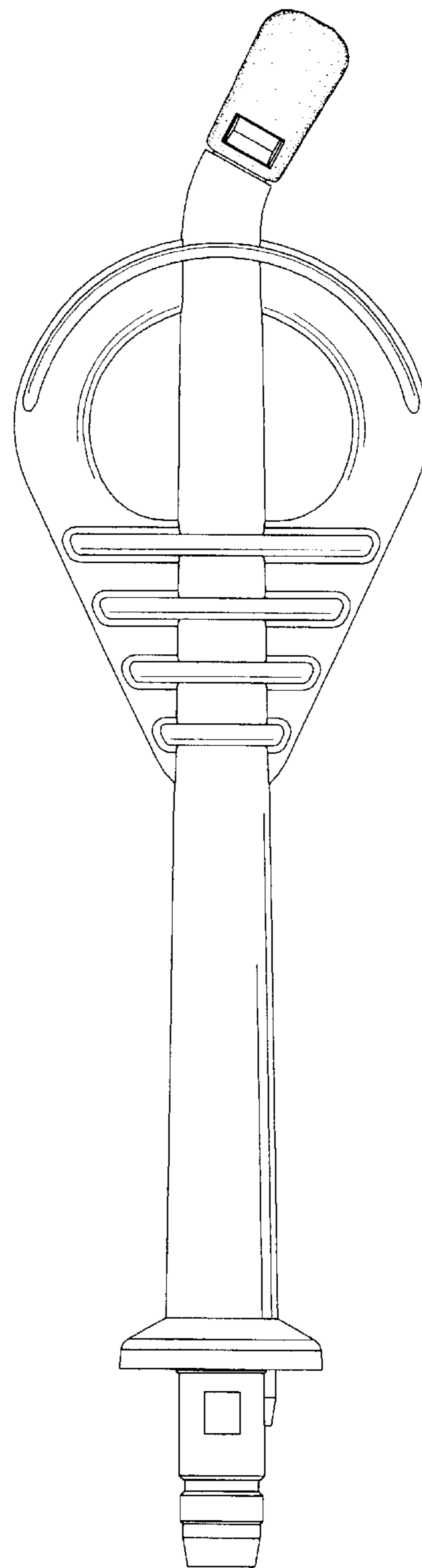


FIG.5

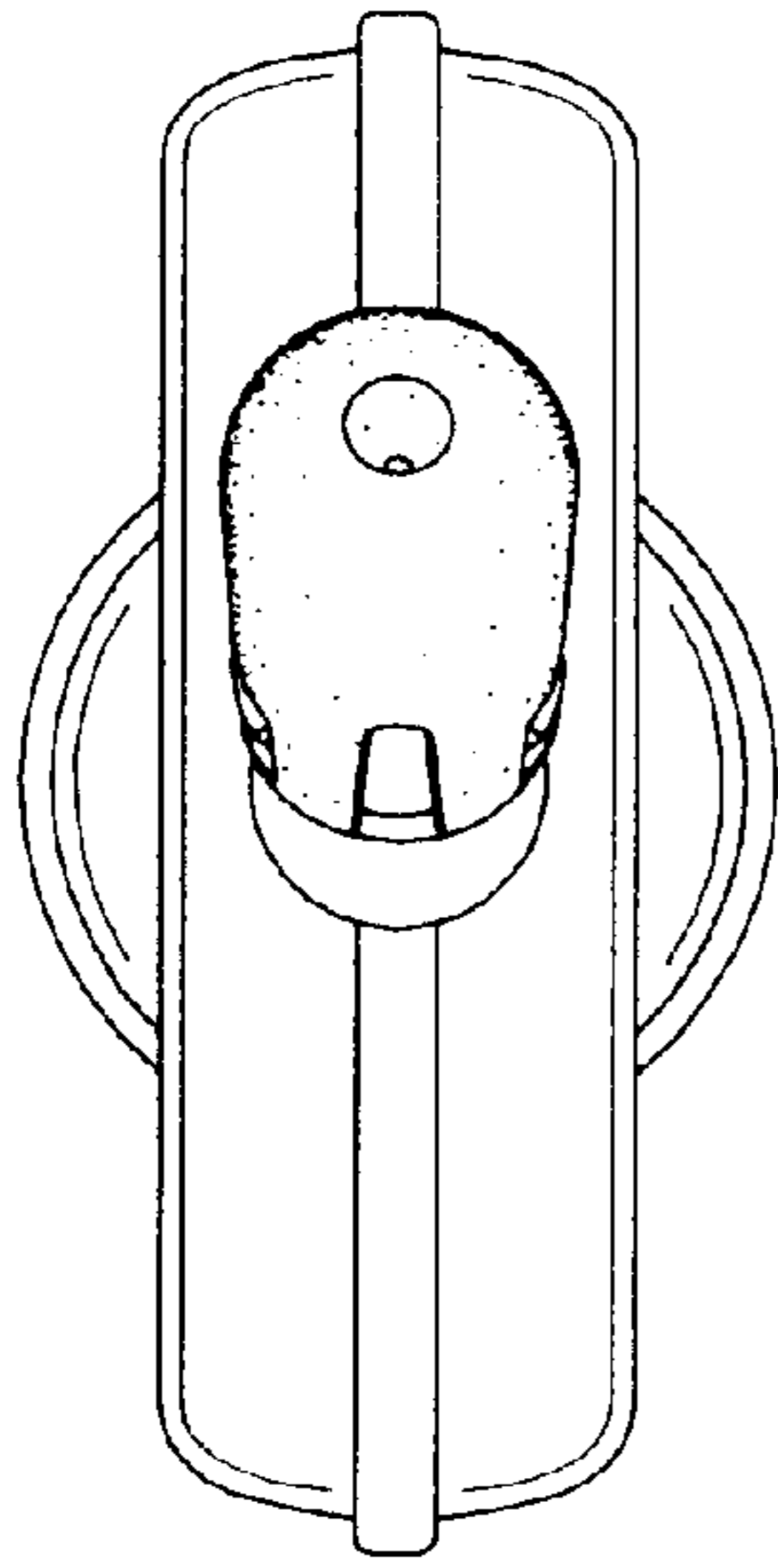


FIG. 6

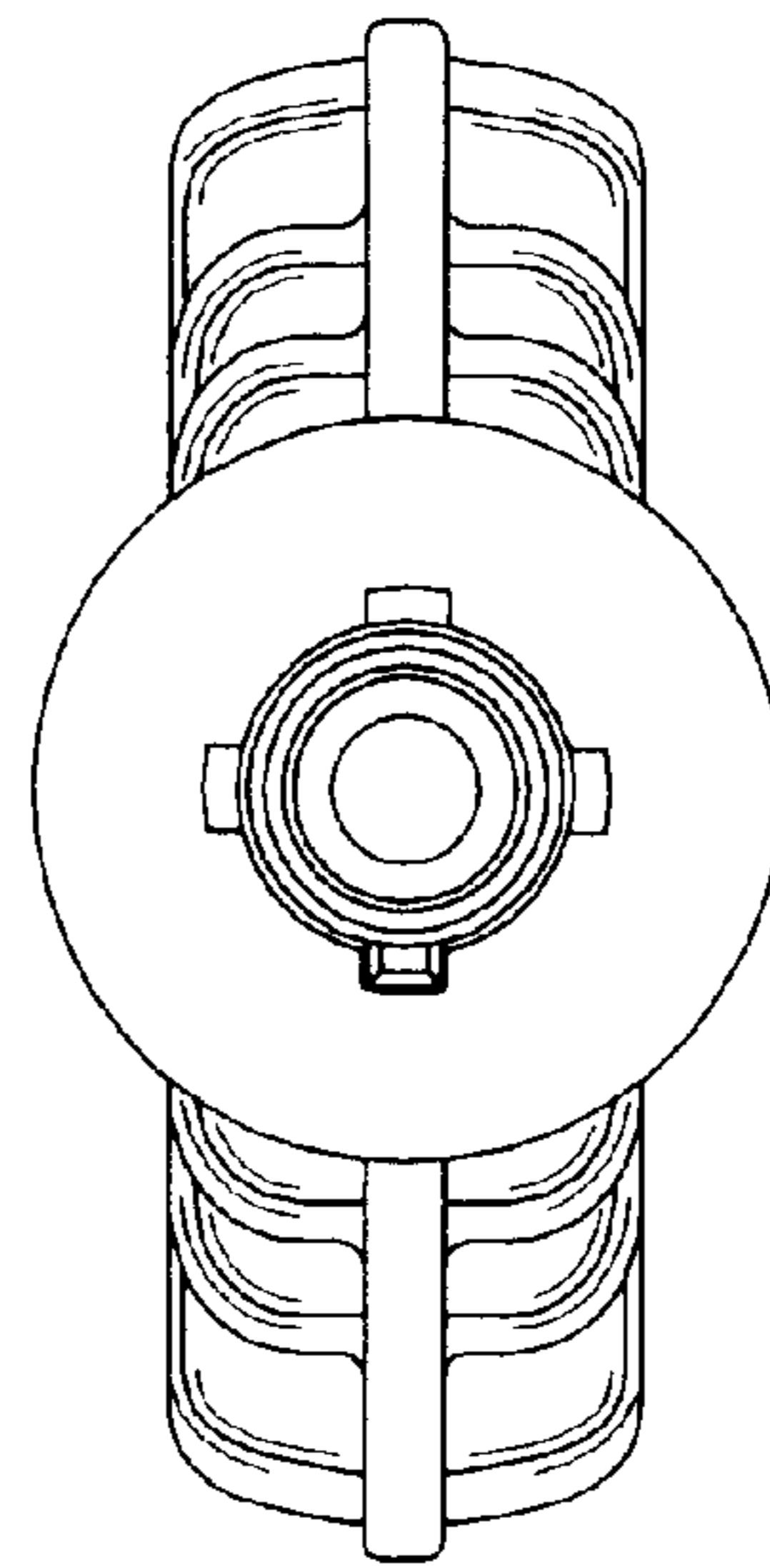


FIG. 7