



US00D538928S

(12) **United States Design Patent**  
**Tsai**

(10) **Patent No.:** **US D538,928 S**

(45) **Date of Patent:** **\*\* Mar. 20, 2007**

(54) **COLON HYDROTHERAPEUTIC APPARATUS**

6,228,048 B1 \* 5/2001 Robbins ..... 604/31  
RE38,690 E \* 2/2005 Moon ..... 4/420.1

(76) Inventor: **Lung Sheng Tsai**, 7F., No. 927,  
Jhongjheng Rd., Taoyuan City, Taoyuan  
County 330 (TW)

\* cited by examiner

(\*\*) Term: **14 Years**

*Primary Examiner*—Ian Simmons

*Assistant Examiner*—W. Laymon

(74) *Attorney, Agent, or Firm*—Troxell Law Office, PLLC

(21) Appl. No.: **29/239,203**

(57) **CLAIM**

(22) Filed: **Sep. 28, 2005**

The ornamental design for a colon hydrotherapeutic apparatus, as shown and described.

(51) **LOC (8) Cl.** ..... **24-02**

(52) **U.S. Cl.** ..... **D24/111; D24/108**

(58) **Field of Classification Search** ..... D24/111,  
D24/204, 112, 201, 205, 135, 108; 4/420.1,  
4/579, 541.3, 590; 128/750, 774, 66, 65;  
600/224, 184, 208, 114, 235; 601/157, 166;  
604/275, 514, 276, 227, 39, 27; D15/7, 9  
See application file for complete search history.

**DESCRIPTION**

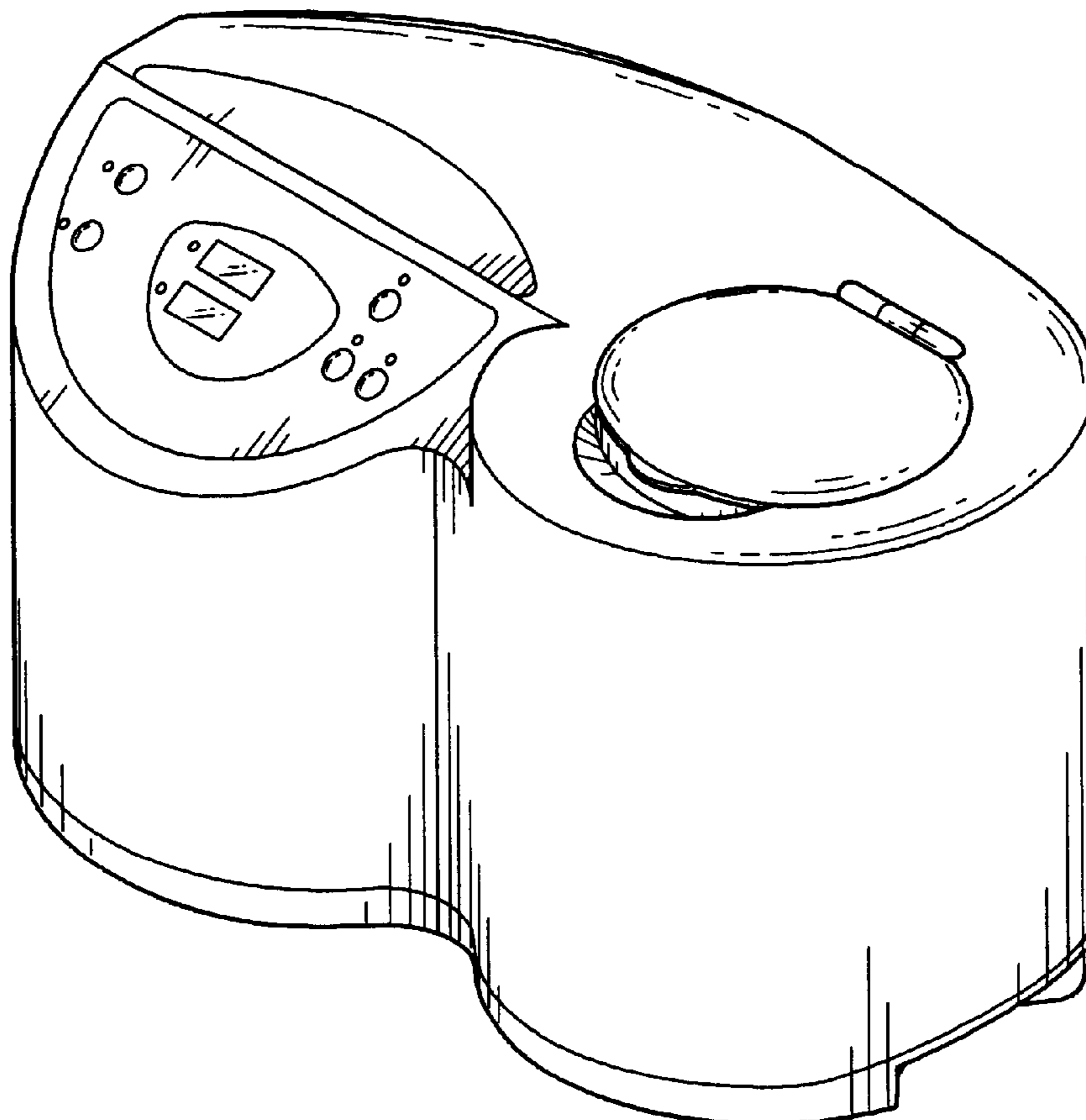
FIG. 1 is a perspective view of a colon hydrotherapeutic apparatus showing my new design;  
FIG. 2 is a front elevational view thereof;  
FIG. 3 is a rear elevational view thereof;  
FIG. 4 is a left side elevational view thereof;  
FIG. 5 is a right side elevational view thereof;  
FIG. 6 is a top plan view thereof;  
FIG. 7 is a bottom plan view thereof; and,  
FIG. 8 is a perspective view thereof, with the lip shown in open condition.

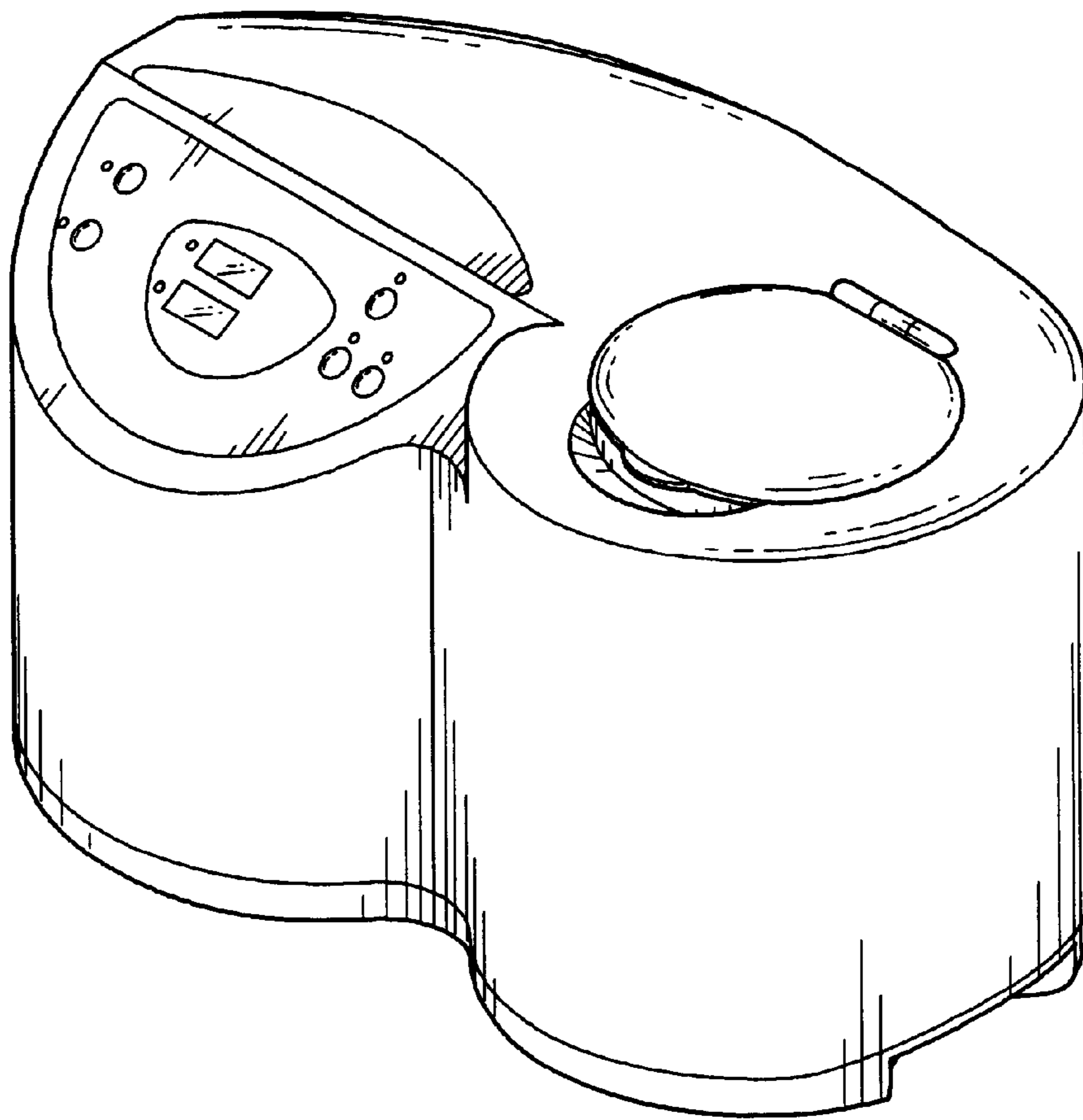
(56) **References Cited**

**U.S. PATENT DOCUMENTS**

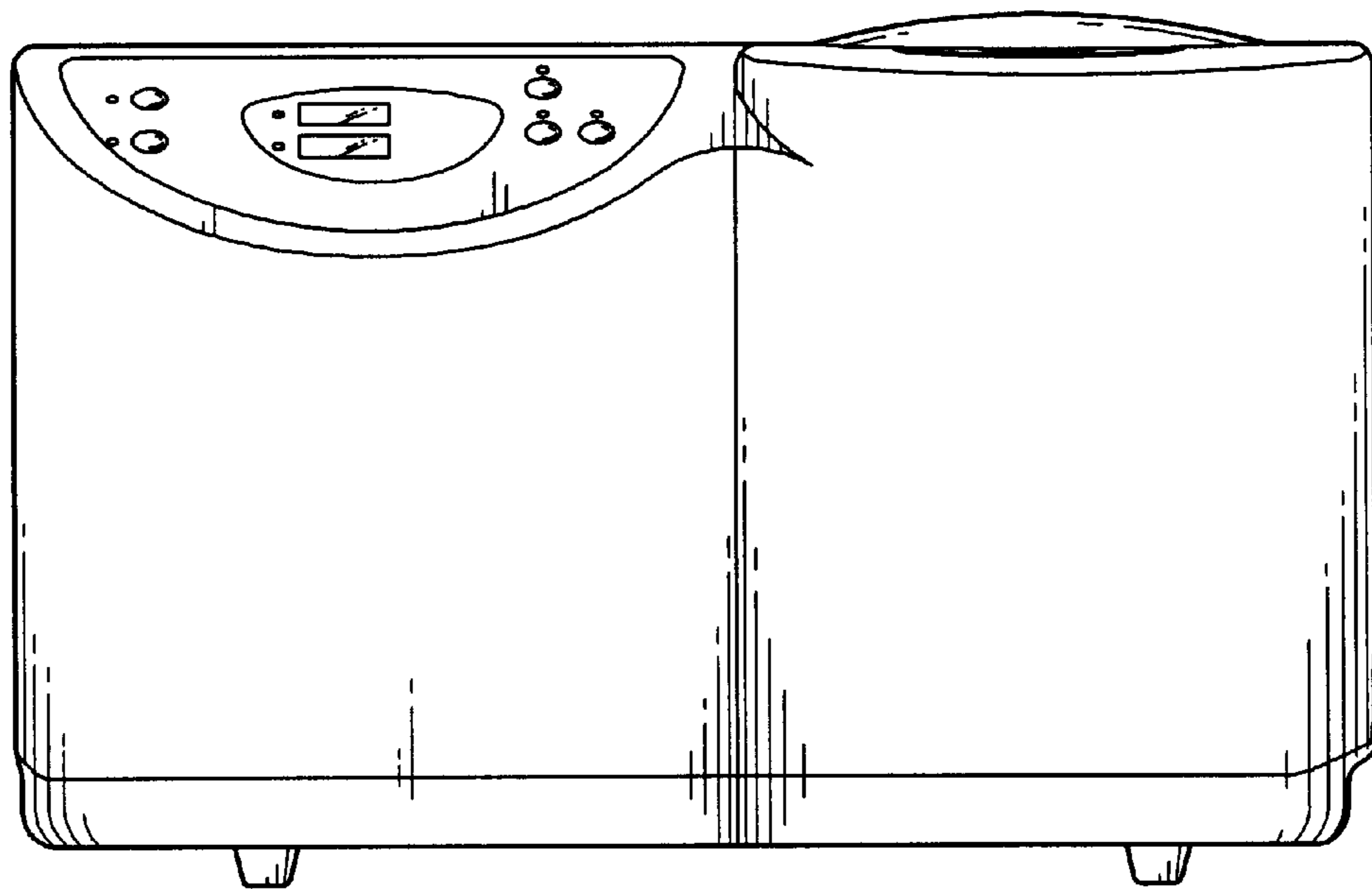
5,860,916 A \* 1/1999 Pylant ..... 600/208  
5,946,741 A \* 9/1999 Moon ..... 4/420.1

**1 Claim, 8 Drawing Sheets**

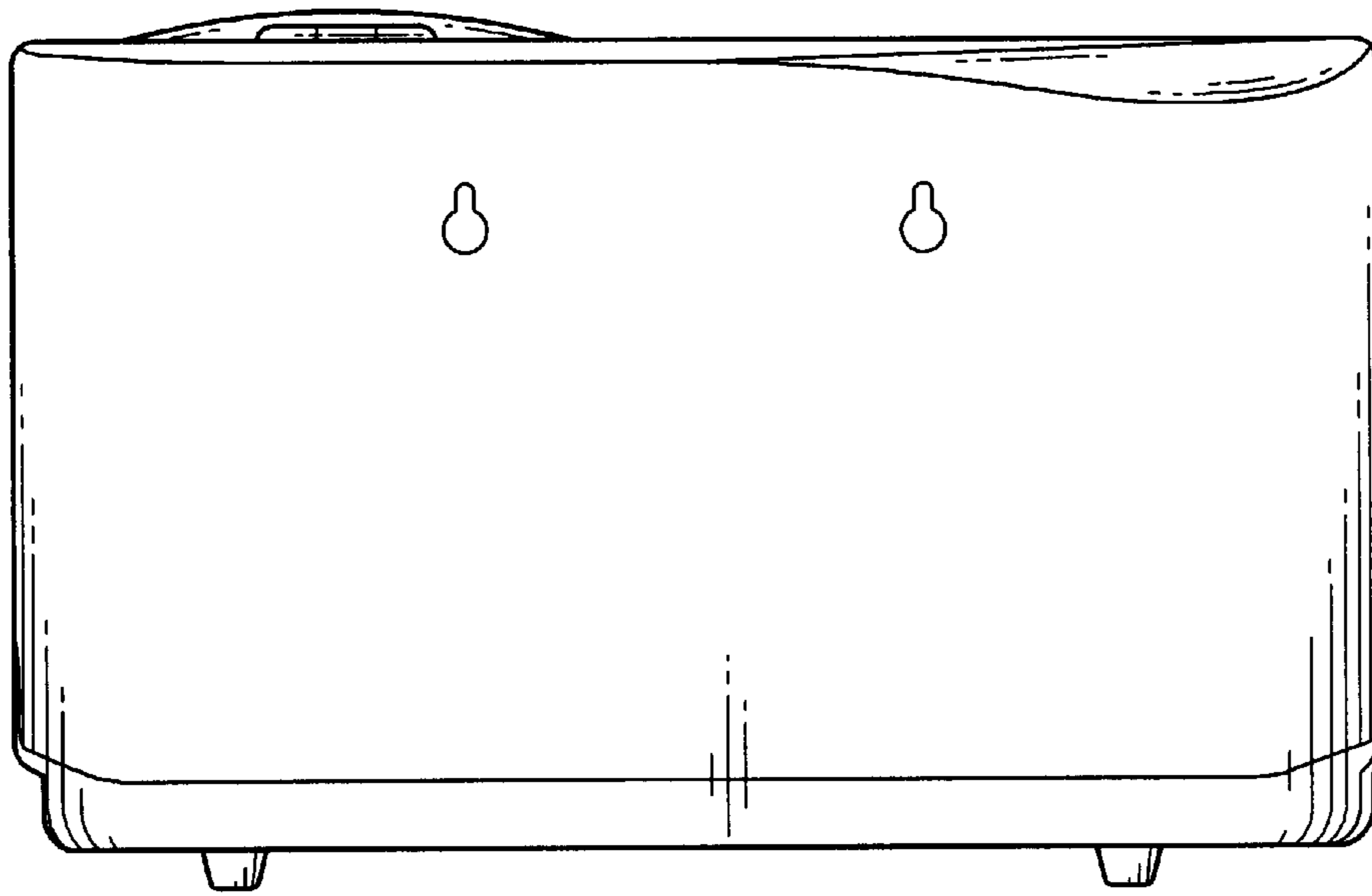




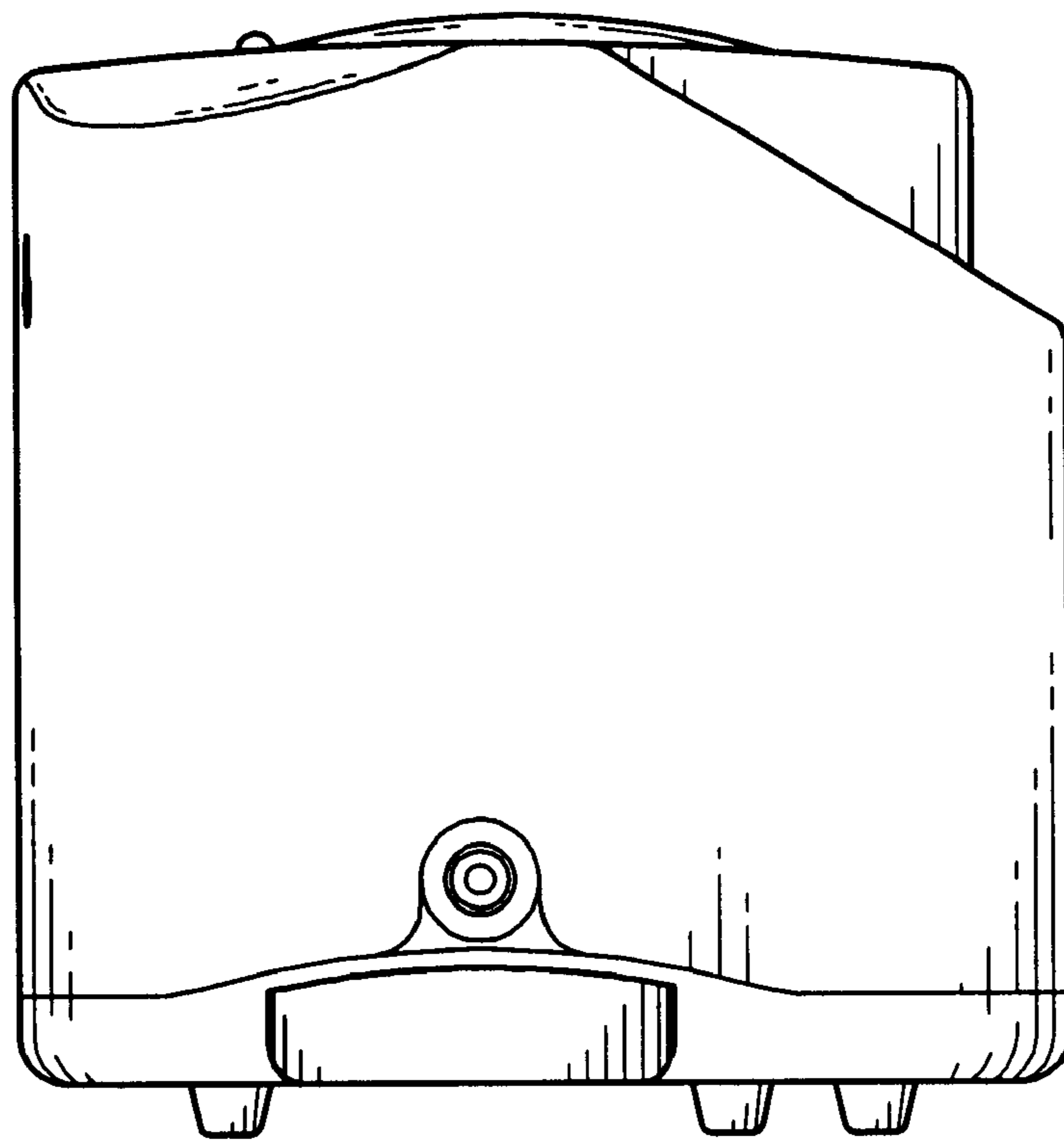
*Fig. 1*



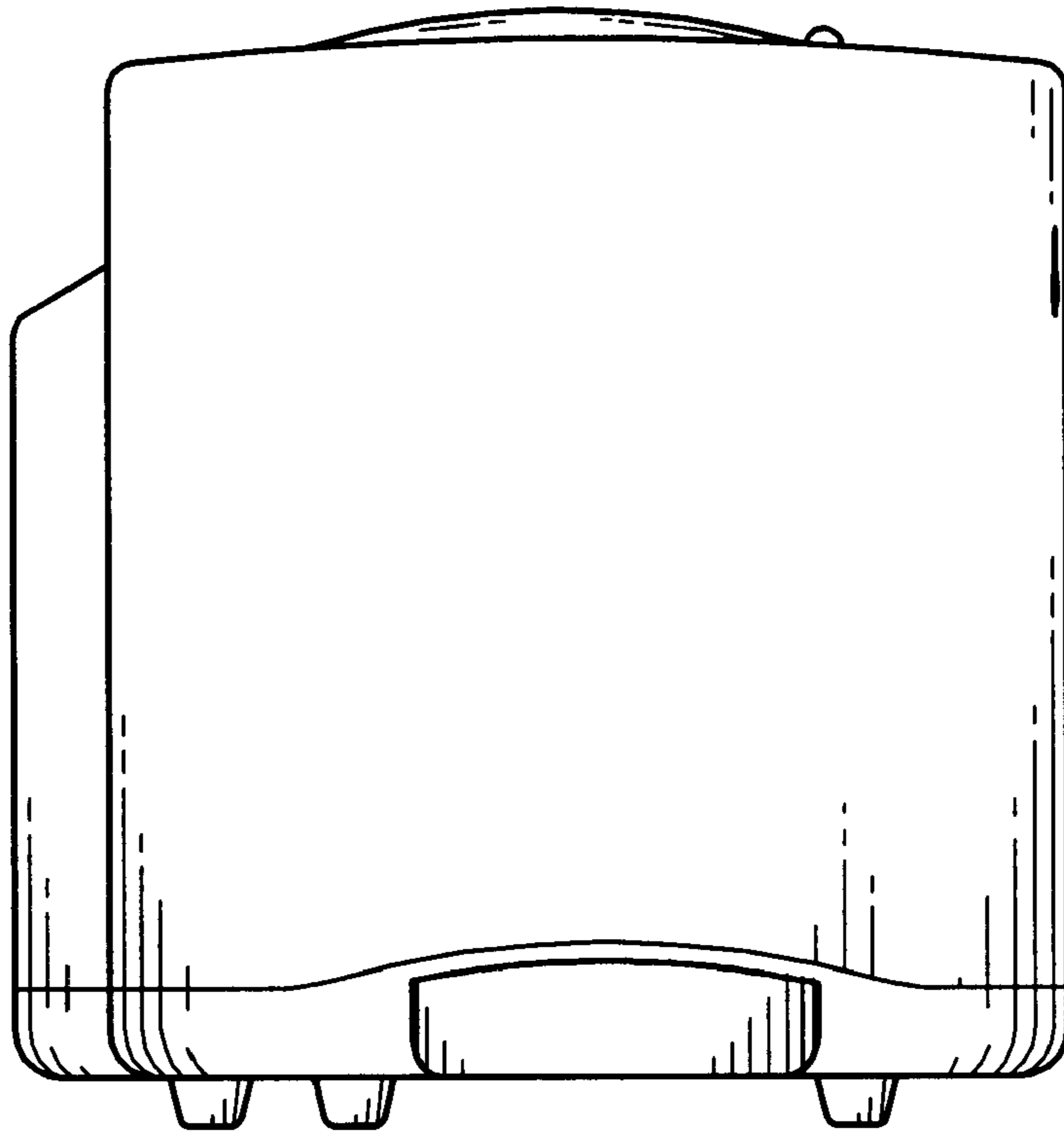
*Fig.2*



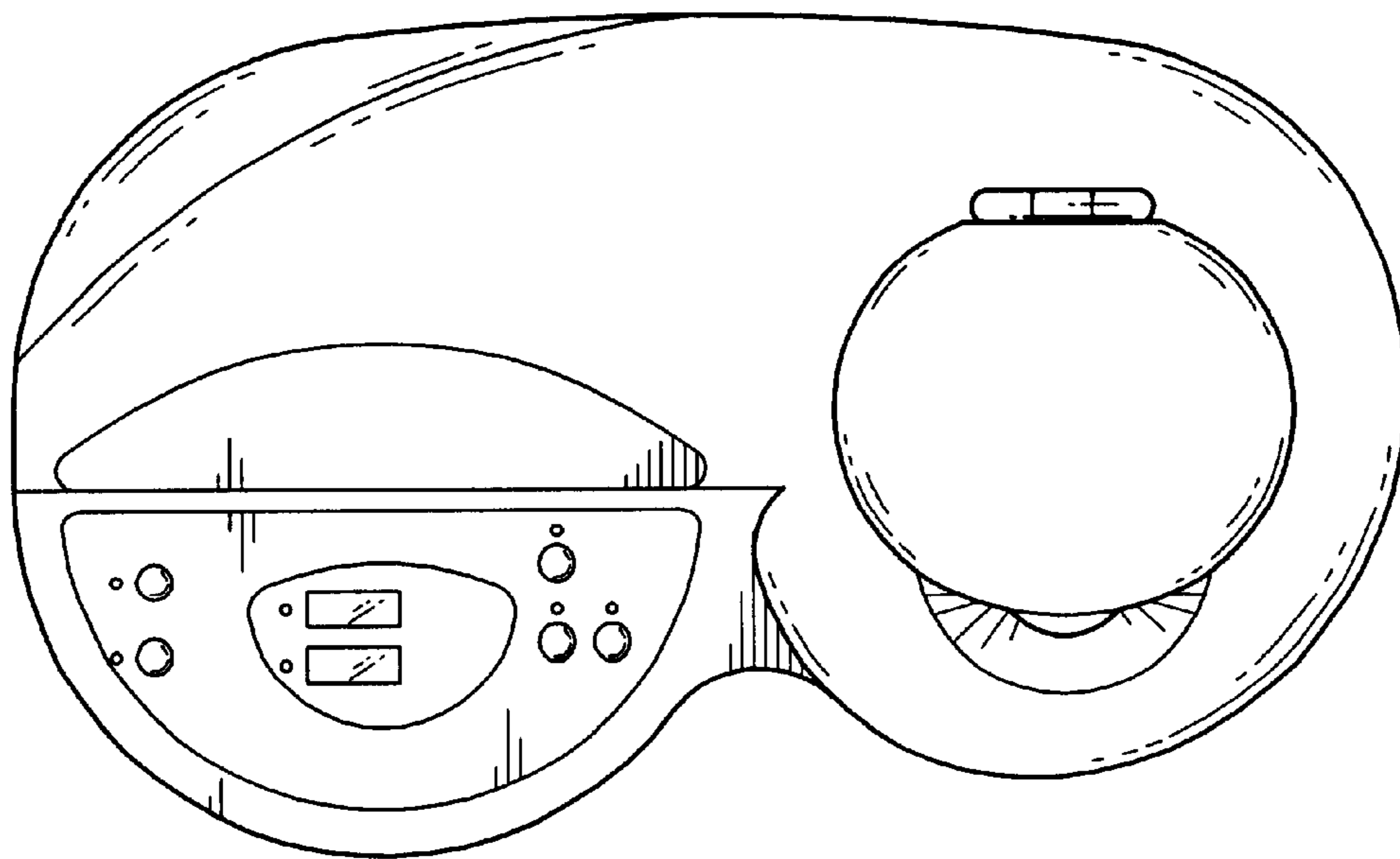
*Fig.3*



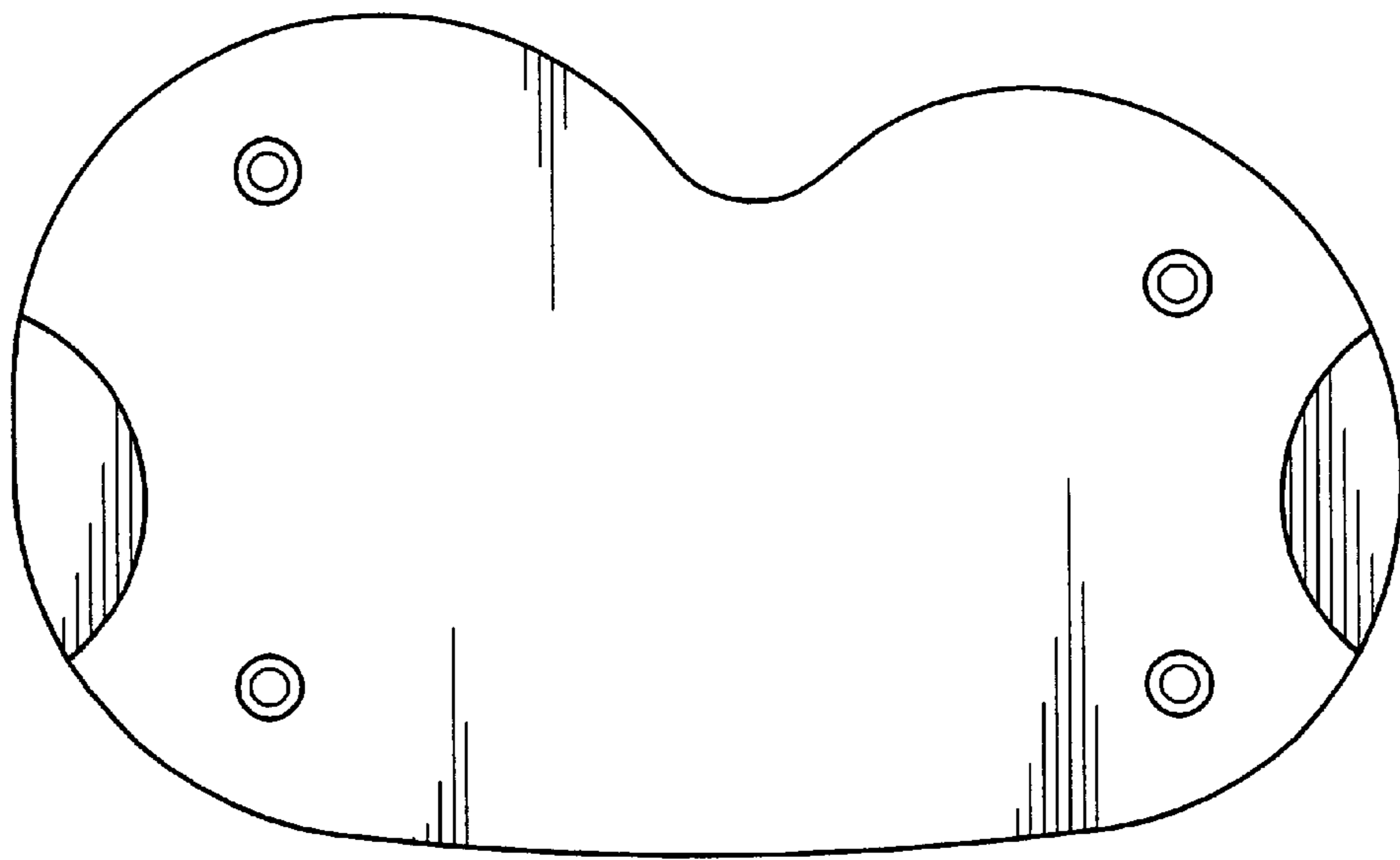
*Fig.4*



*Fig.5*



*Fig.6*



*Fig. 7*



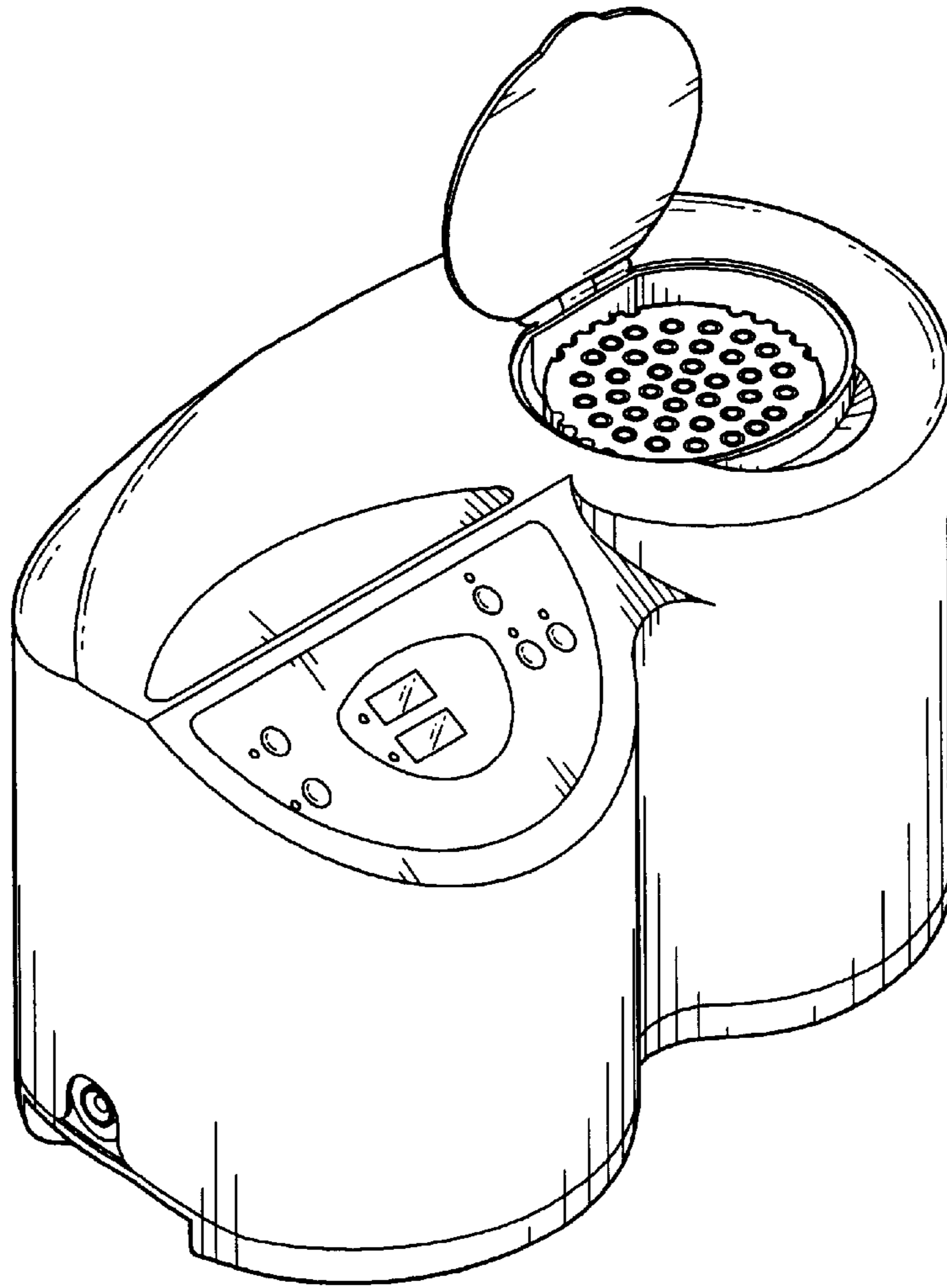


Fig.8