



US00D538926S

(12) **United States Design Patent**
Jeong et al.

(10) **Patent No.:** **US D538,926 S**

(45) **Date of Patent:** **** Mar. 20, 2007**

(54) **MOUTHPIECE FOR ENDOSCOPE**

5,921,241 A * 7/1999 Belfer 128/848

(75) Inventors: **Jae-Seung Jeong**, Anyang (KR); **Soo Won Suh**, Seoul (KR); **Poong-Lyul Rhee**, Seoul (KR)

* cited by examiner

Primary Examiner—Antoine D. Davis

Assistant Examiner—Christopher Lee

(73) Assignee: **TNO Co., Ltd.**, Seoul (KR)

(74) *Attorney, Agent, or Firm*—Ladas & Parry LLP

(**) Term: **14 Years**

(57) **CLAIM**

The ornamental design for a mouthpiece for endoscope, as shown and described.

(21) Appl. No.: **29/242,974**

(22) Filed: **Nov. 16, 2005**

DESCRIPTION

(30) **Foreign Application Priority Data**

Nov. 10, 2005 (KR) 30-2005-0037859

FIG. 1 is a perspective view drawing of the mouthpiece for endoscope;

(51) **LOC (8) Cl.** **29-02**

FIG. 2 is a front view drawing of the mouthpiece for endoscope of FIG. 1;

(52) **U.S. Cl.** **D24/110; D24/110.5; D24/164; D24/176; D24/191**

FIG. 3 is a rear view drawing of the mouthpiece for endoscope of FIG. 1;

(58) **Field of Classification Search** D24/110, D24/110.5, 110.6, 164, 176, 191; 600/114; 128/848, 859, 207.14, 207.15, 201.26, DIG. 26
See application file for complete search history.

FIG. 4 is a left side view drawing of the mouthpiece for endoscope of FIG. 1;

FIG. 5 is a right side view drawing of the mouthpiece for endoscope of FIG. 1;

(56) **References Cited**

U.S. PATENT DOCUMENTS

D283,158 S * 3/1986 Jackson D24/176
5,174,284 A * 12/1992 Jackson 128/200.26
D348,932 S * 7/1994 Jackson D24/176
D399,950 S * 10/1998 Shepard D24/110.5

FIG. 6 is a top view drawing of the mouthpiece for endoscope of FIG. 1;

FIG. 7 is a bottom view drawing of the mouthpiece for endoscope of FIG. 1; and,

FIG. 8 is an exploded view drawing of the mouthpiece for endoscope of FIG. 1.

1 Claim, 8 Drawing Sheets

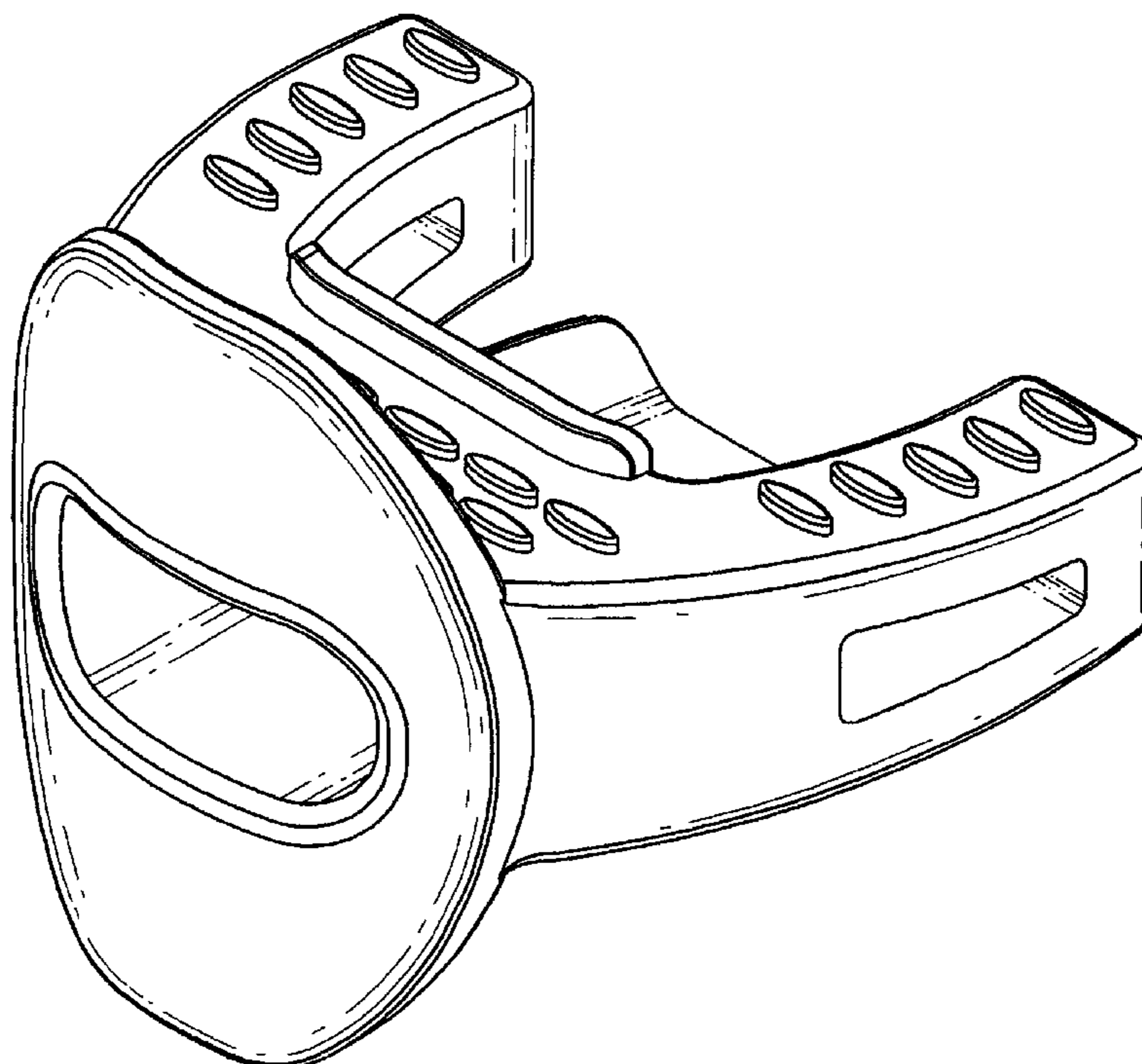


FIG. 1

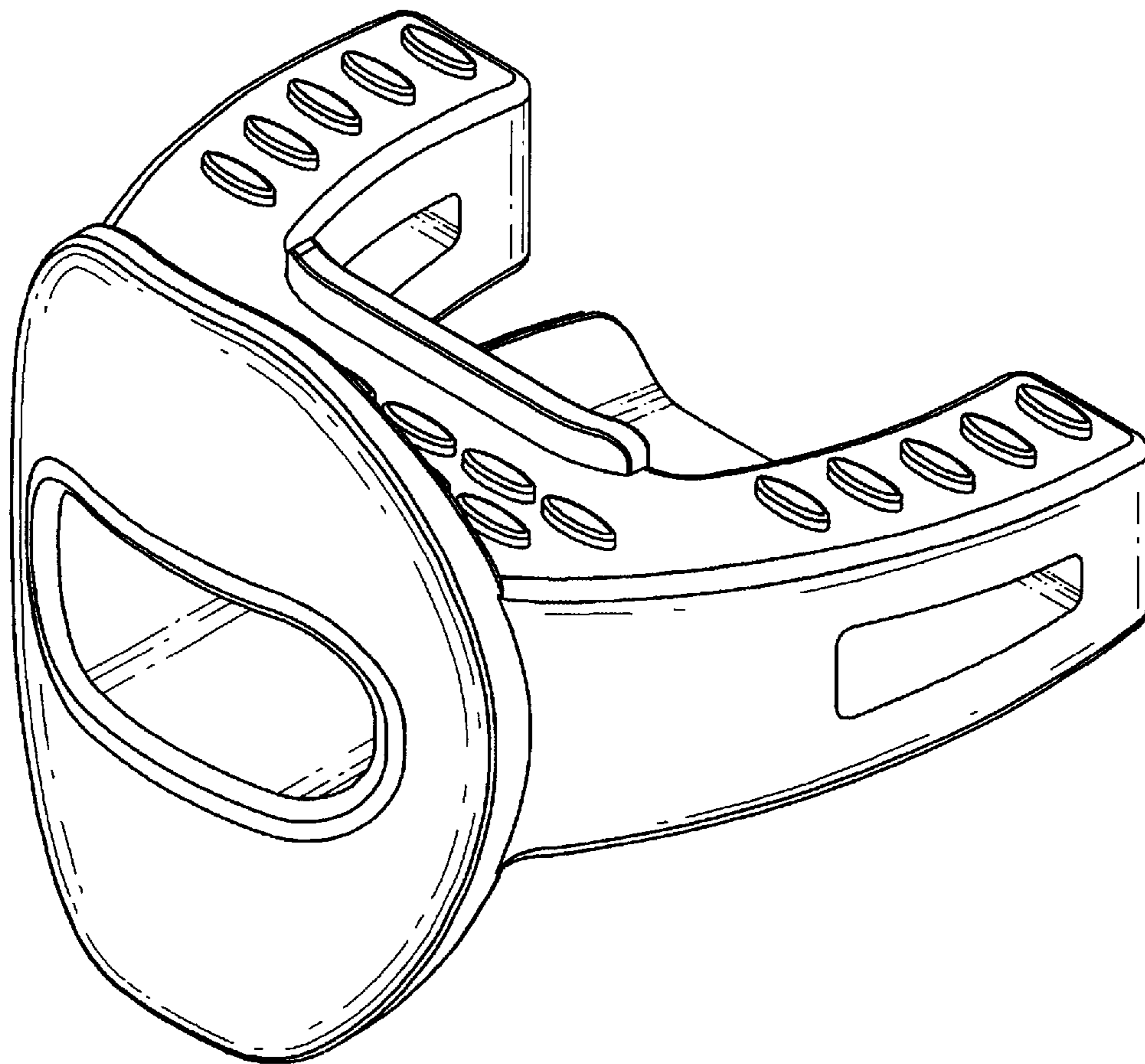


FIG. 2

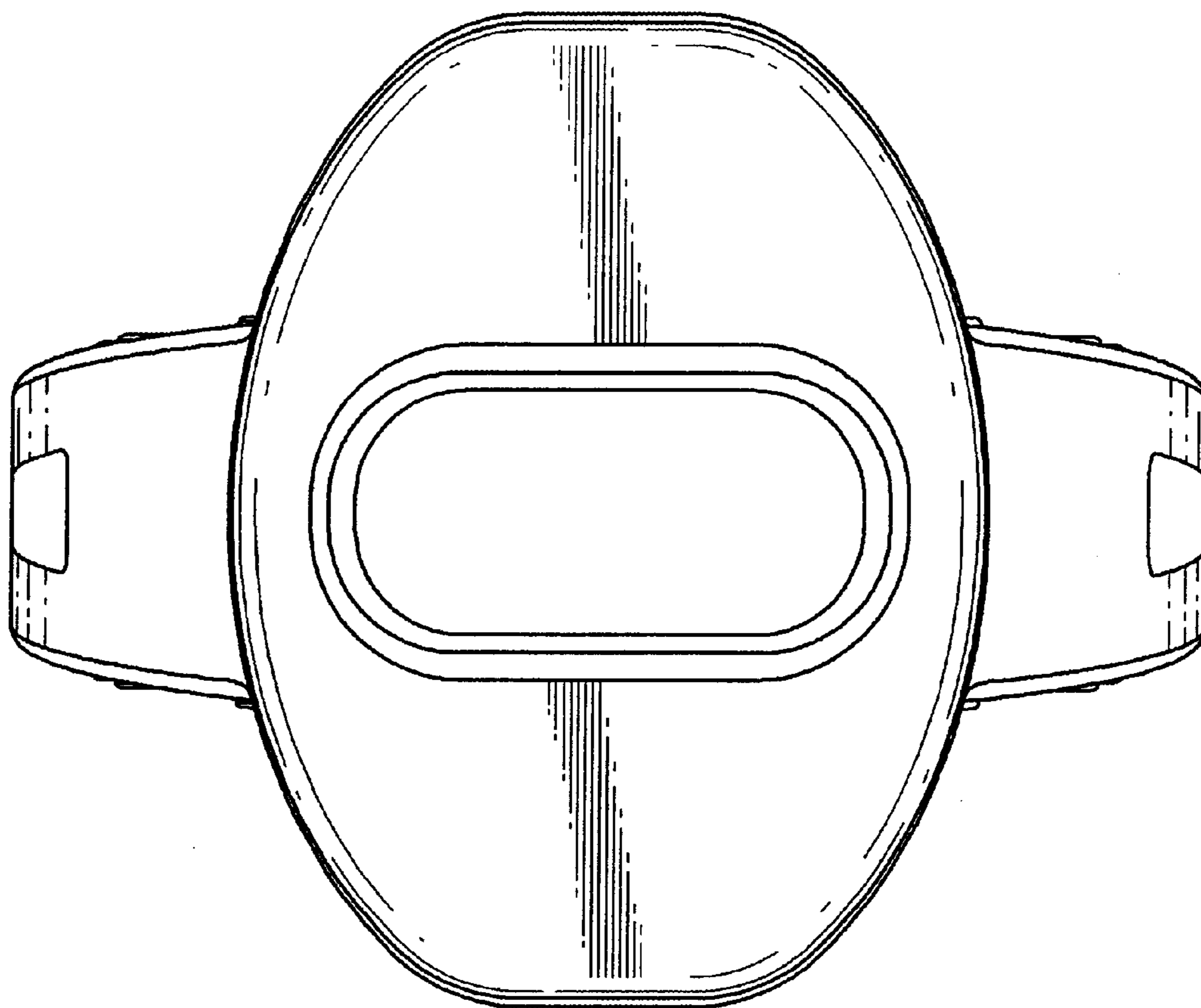


FIG. 3

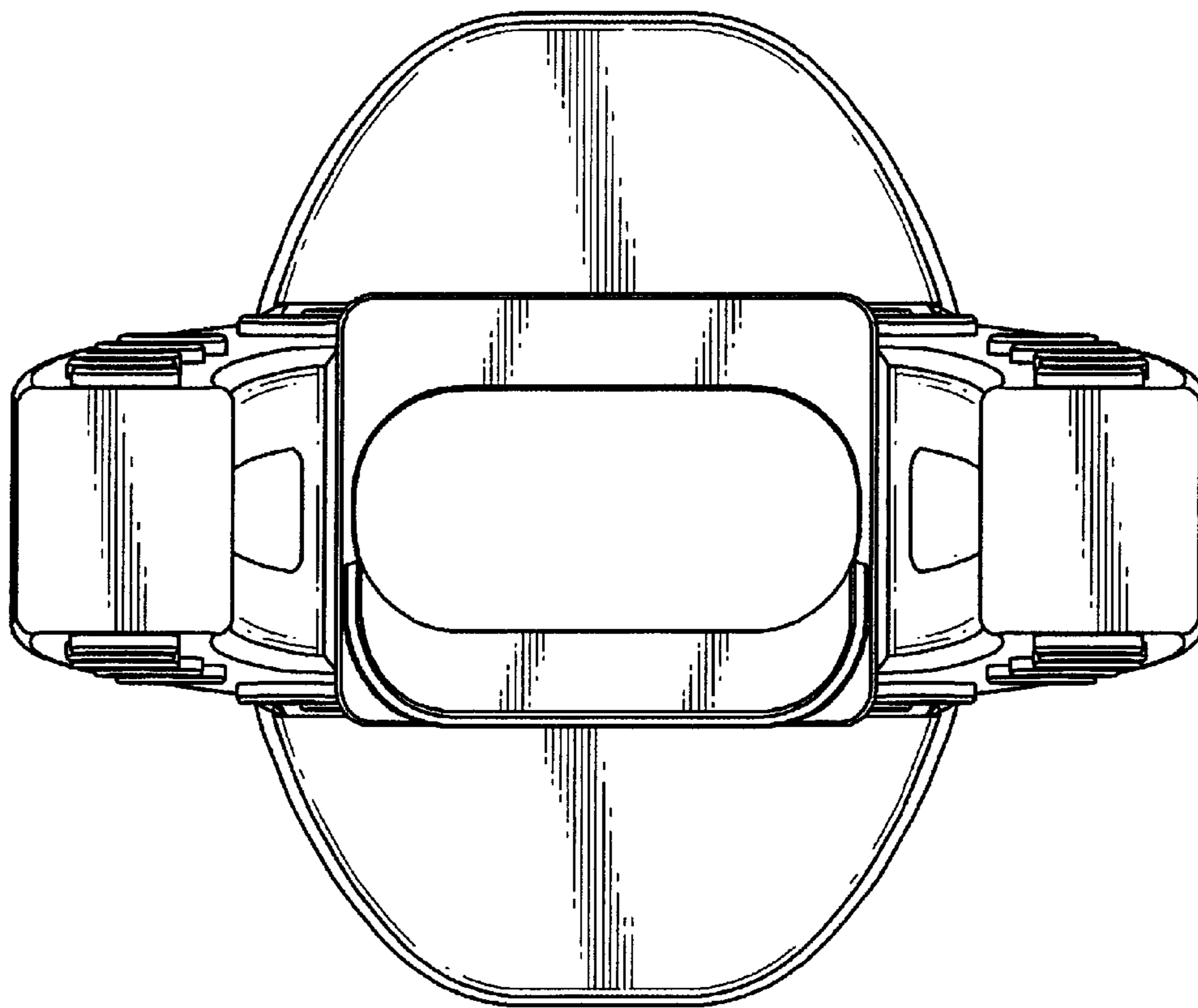


FIG. 4

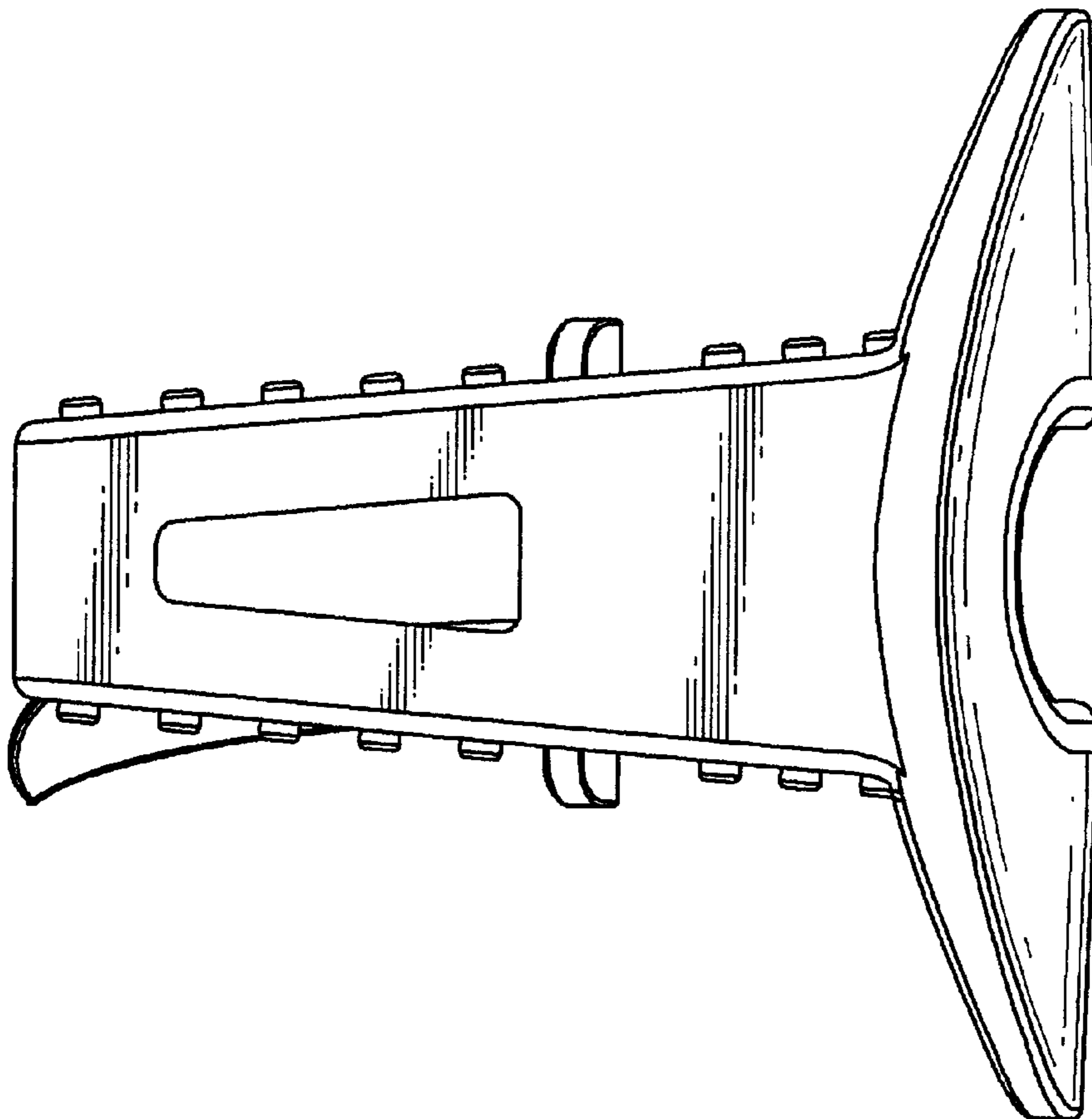


FIG. 5

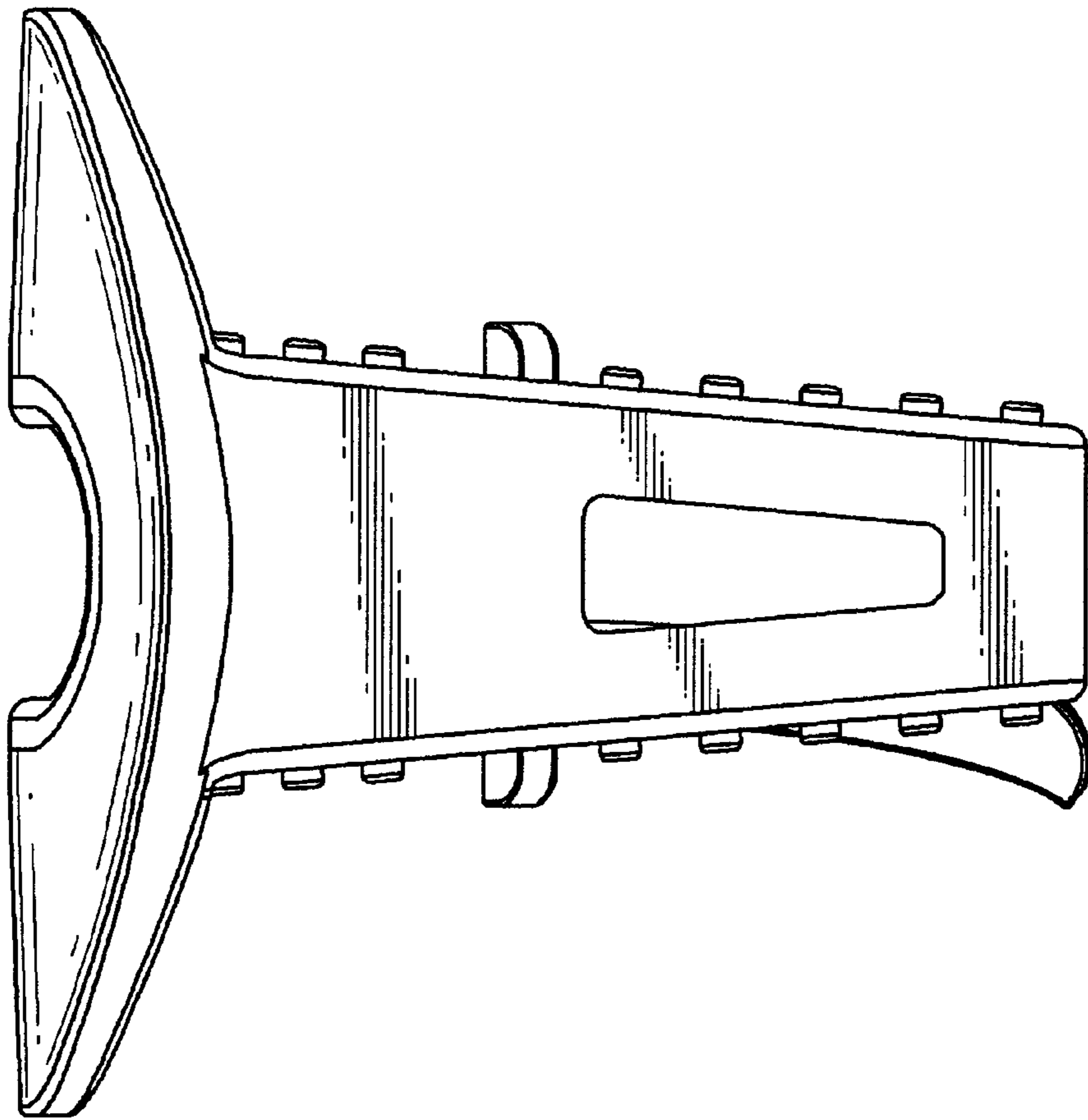


FIG. 6

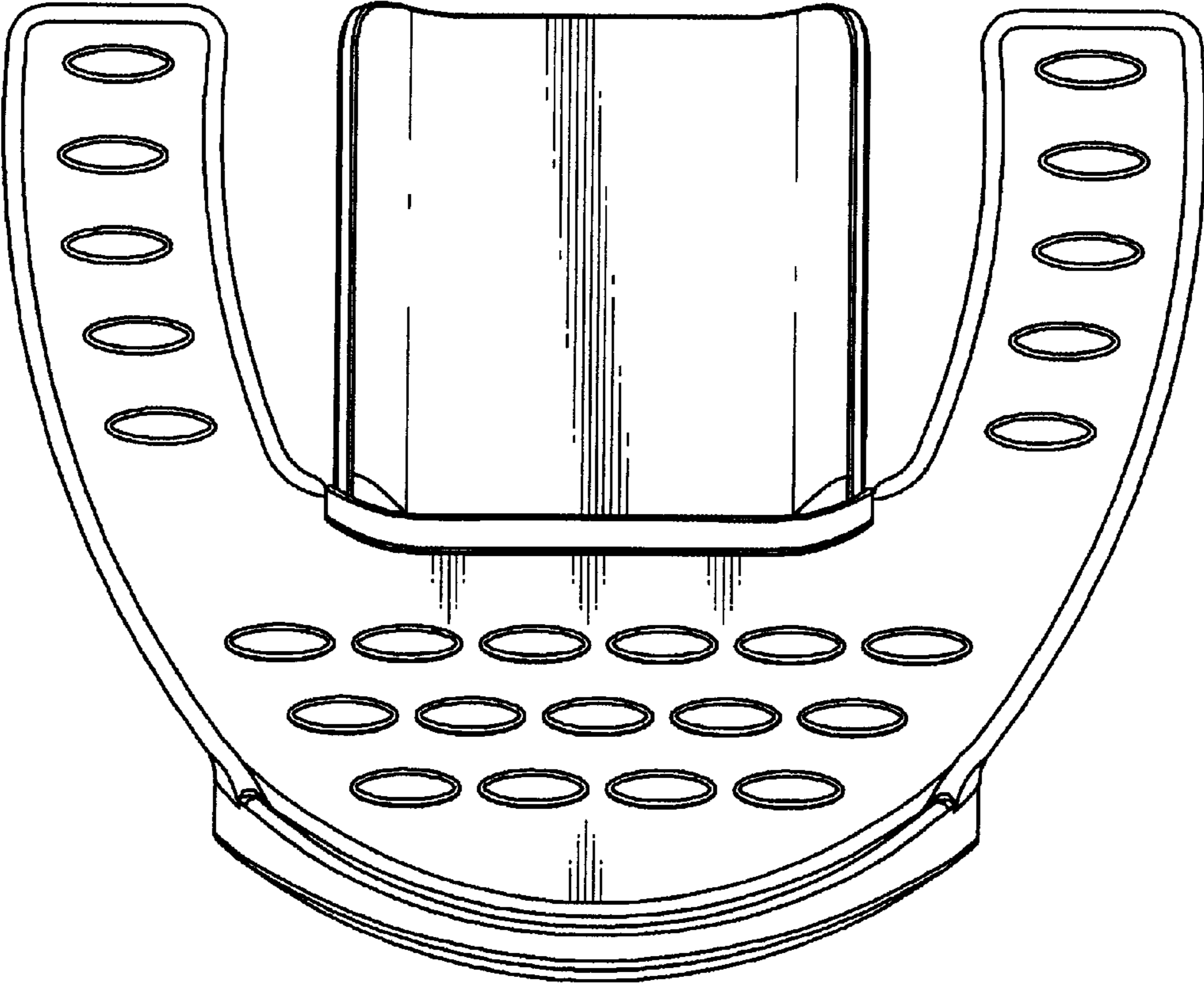


FIG. 7

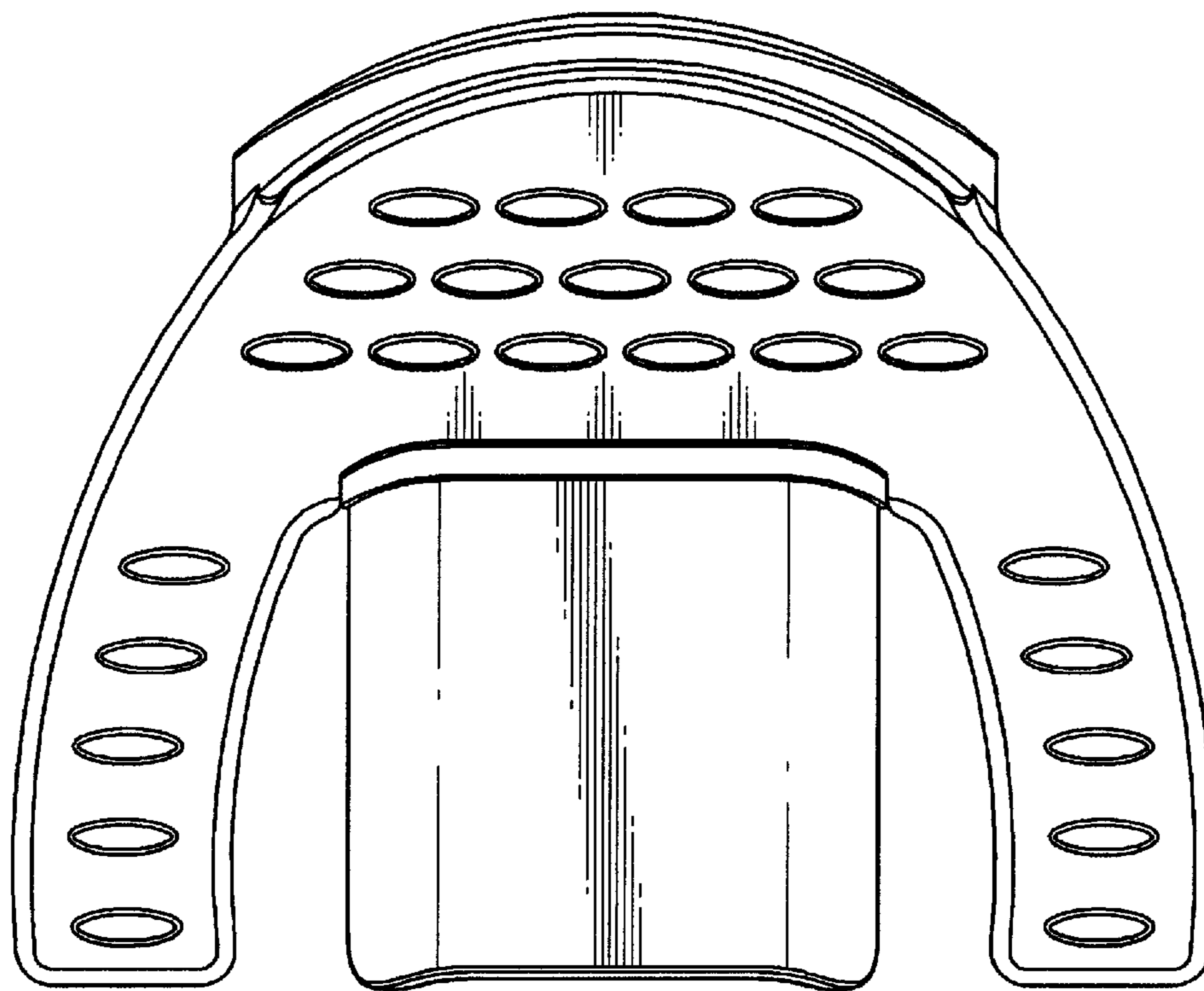


FIG. 8

