



US00D538925S

(12) **United States Design Patent**  
**Ward et al.**

(10) **Patent No.:** **US D538,925 S**  
(45) **Date of Patent:** **\*\* Mar. 20, 2007**

(54) **SUCTION CANISTER**

(75) Inventors: **Edward Steven Ward**, Farragut, TN (US); **Eric Alexander Ward**, Knoxville, TN (US)

(73) Assignee: **DeRoyal Industries, Inc.**, Powell, TN (US)

(\*\*) **Term:** **14 Years**

(21) **Appl. No.:** **29/254,487**

(22) **Filed:** **Feb. 24, 2006**

(51) **LOC (8) Cl.** ..... **24-01**

(52) **U.S. Cl.** ..... **D24/108; D24/121; D24/224**

(58) **Field of Classification Search** ..... D24/144, D24/224, 117, 112, 108, 222, 122, 121, 216; D23/226, 208, 207; 210/97, 461.1, 448, 101; 600/573; 604/317, 319, 131, 35, 541  
See application file for complete search history.

(56) **References Cited**

**U.S. PATENT DOCUMENTS**

D224,401 S	7/1972	Clinton	
3,792,979 A	2/1974	Clinton	
D232,355 S	* 8/1974	Wiedmann	..... D24/224
D243,500 S	3/1977	Cooper	
4,314,558 A	2/1982	Korpman	
4,455,140 A	* 6/1984	Joslin	..... 604/317
4,572,373 A	2/1986	Johansson	
4,762,251 A	8/1988	Berger	
4,973,190 A	11/1990	Erwin et al.	
D316,981 S	5/1991	Geschwender et al.	

D326,321 S	* 5/1992	Schneider et al.	..... D24/112
D343,451 S	1/1994	Voychehovski	
5,391,351 A	2/1995	Kaufman	
D383,206 S	* 9/1997	Dikeman	..... D24/117
D401,697 S	* 11/1998	Cloonan et al.	..... D24/224
D430,291 S	8/2000	Jansen et al.	
D431,648 S	10/2000	Jansen et al.	
6,429,447 B1	8/2002	Nowak et al.	
6,447,149 B1	9/2002	Kaforey et al.	
6,489,172 B1	* 12/2002	Bachand et al.	..... 600/573
D470,235 S	2/2003	Kumar	
D485,885 S	1/2004	Bonelli et al.	
D486,881 S	2/2004	Pecci et al.	
6,780,309 B2	* 8/2004	Haldopoulos et al.	..... 210/97
2003/0155538 A1	8/2003	Siepmann	

\* cited by examiner

*Primary Examiner*—Ian Simmons

*Assistant Examiner*—W. Laymon

(74) *Attorney, Agent, or Firm*—Luedeka, Neely & Graham

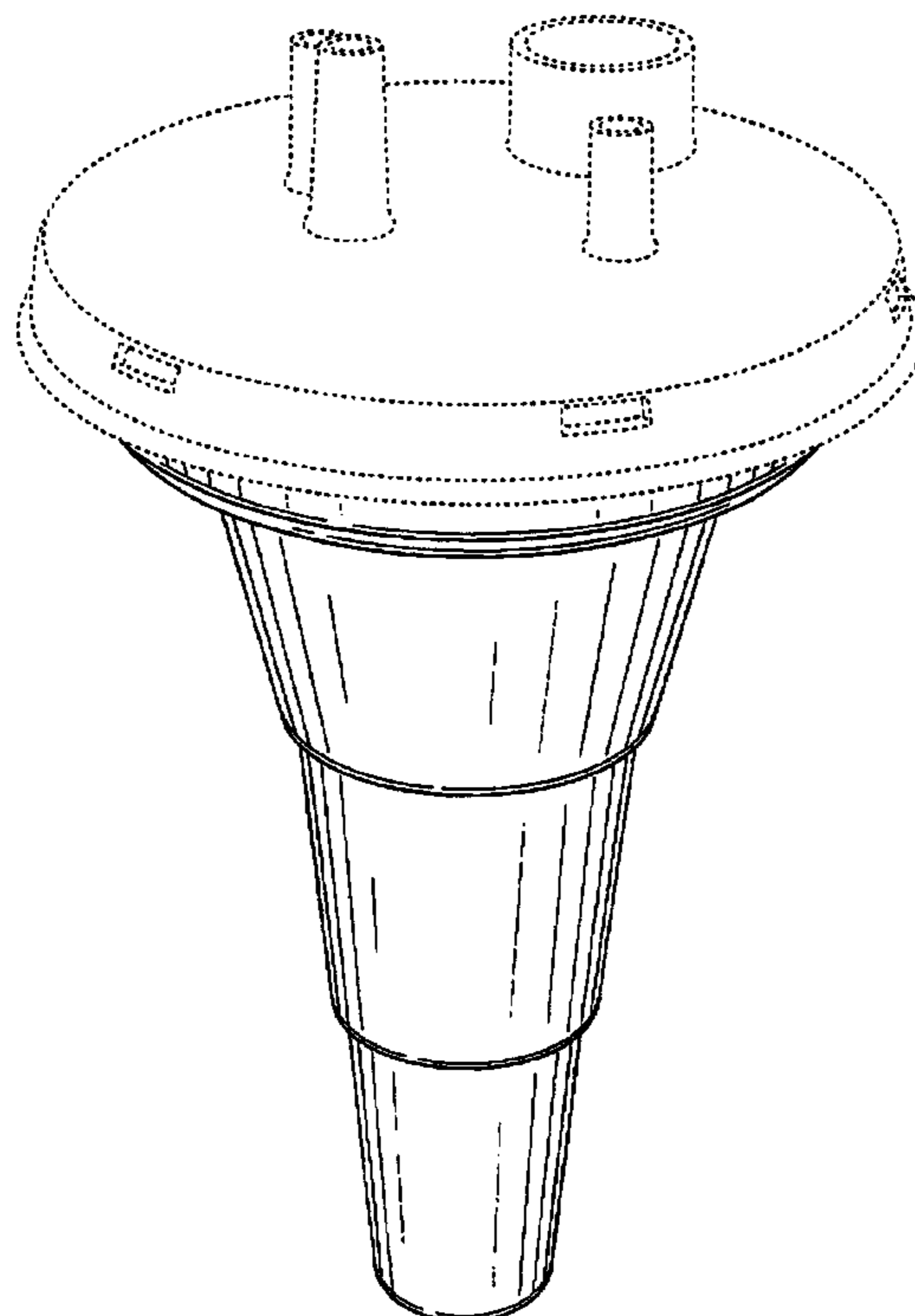
(57) **CLAIM**

The ornamental design for a suction canister, as shown and described.

**DESCRIPTION**

FIG. 1 is a front perspective view of the suction canister showing our new design, having a lid shown in phantom, installed thereof;  
FIG. 2 is a side view thereof; the other side view being a mirror image thereof;  
FIG. 3 is a top view thereof; and,  
FIG. 4 is a bottom view thereof.

**1 Claim, 3 Drawing Sheets**



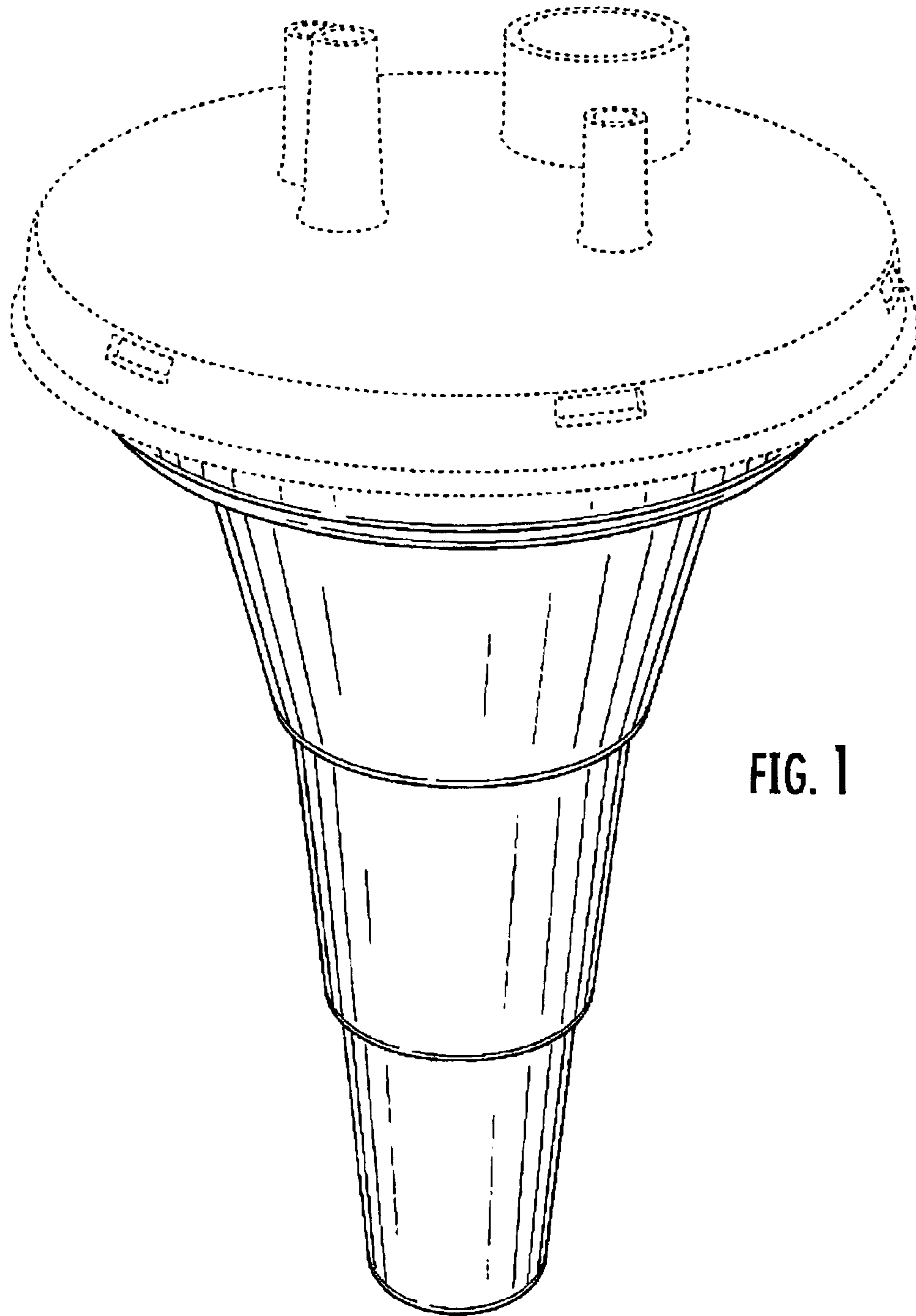


FIG. 1

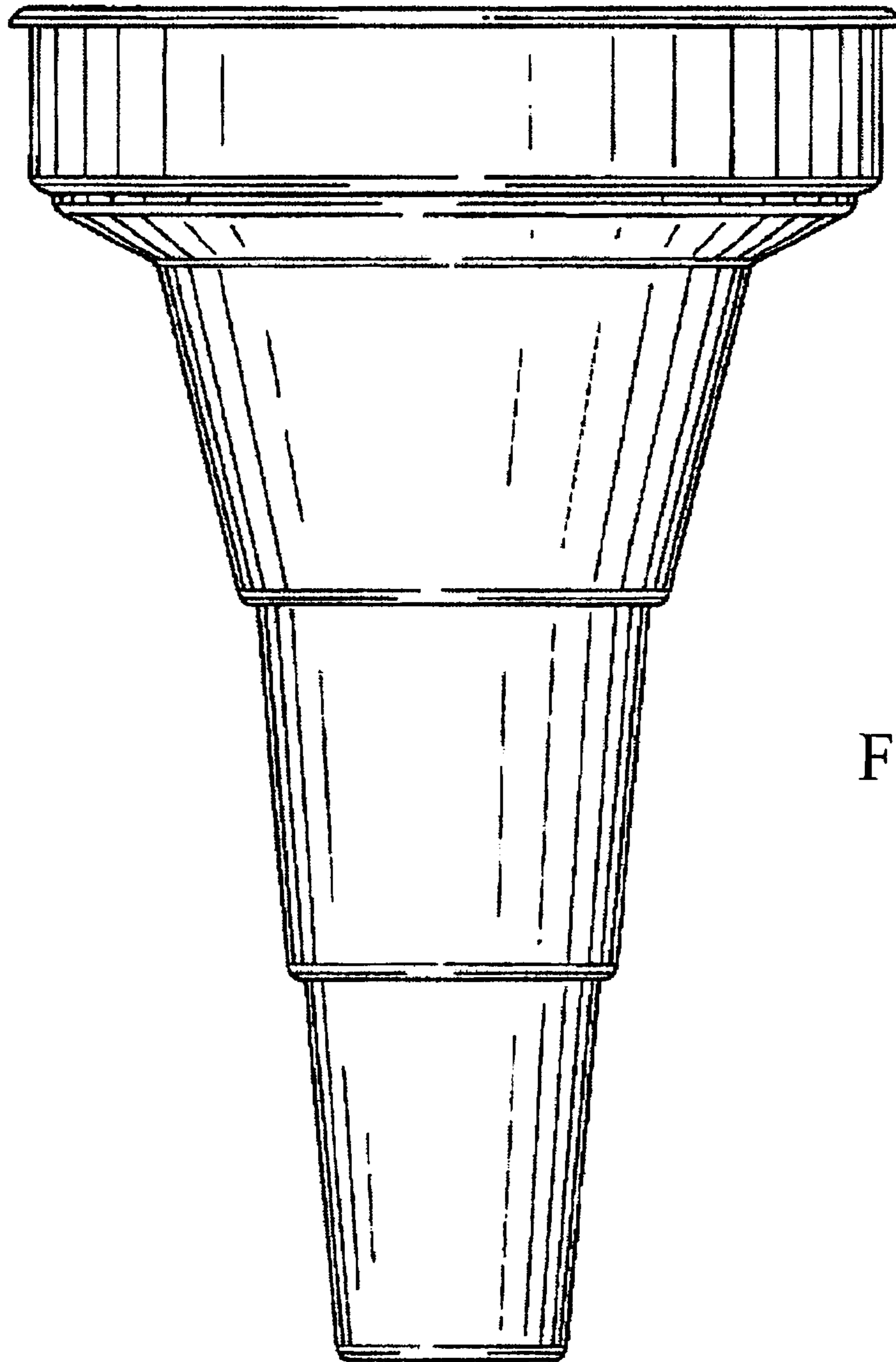


FIG. 2

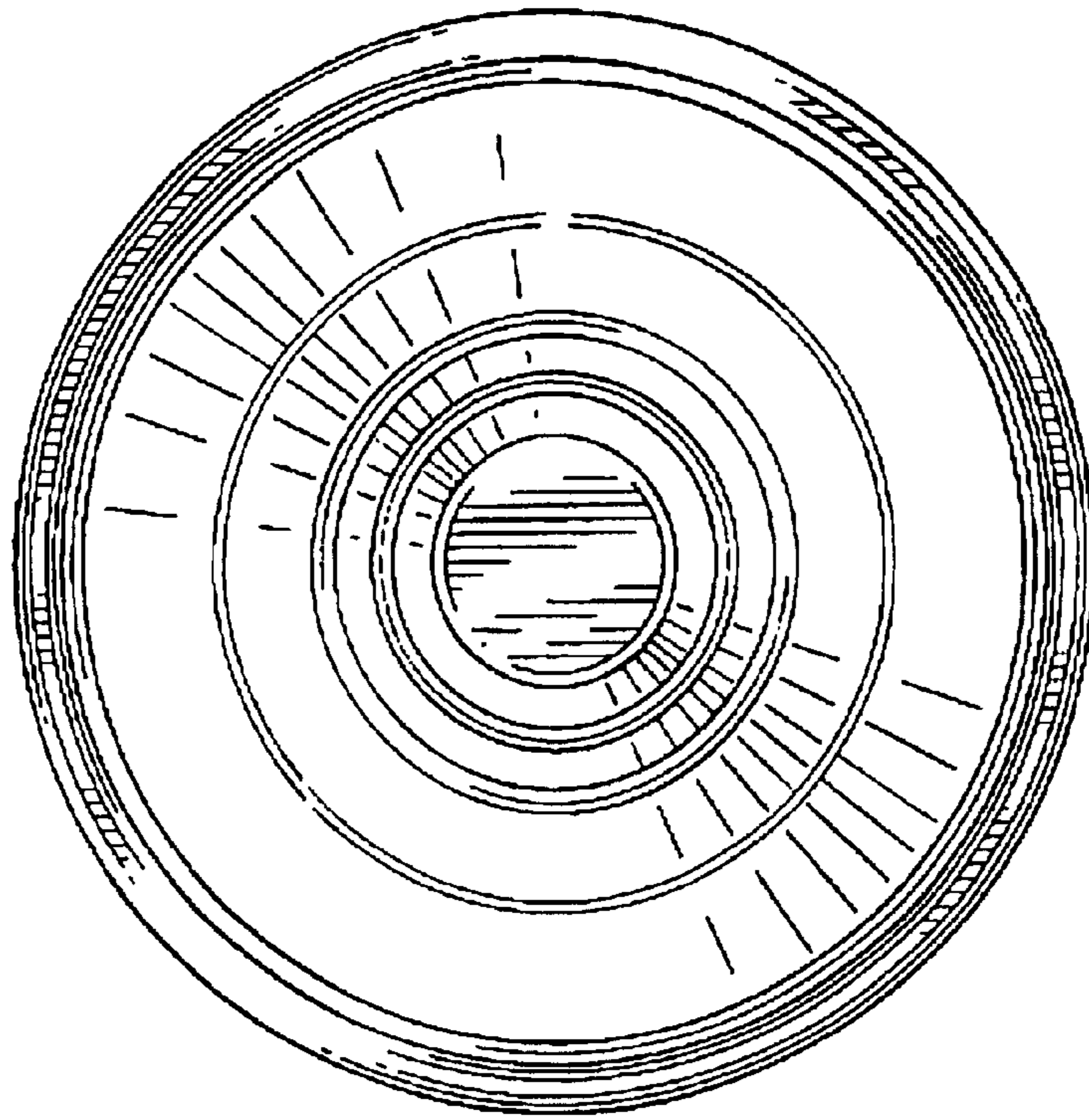


FIG. 3

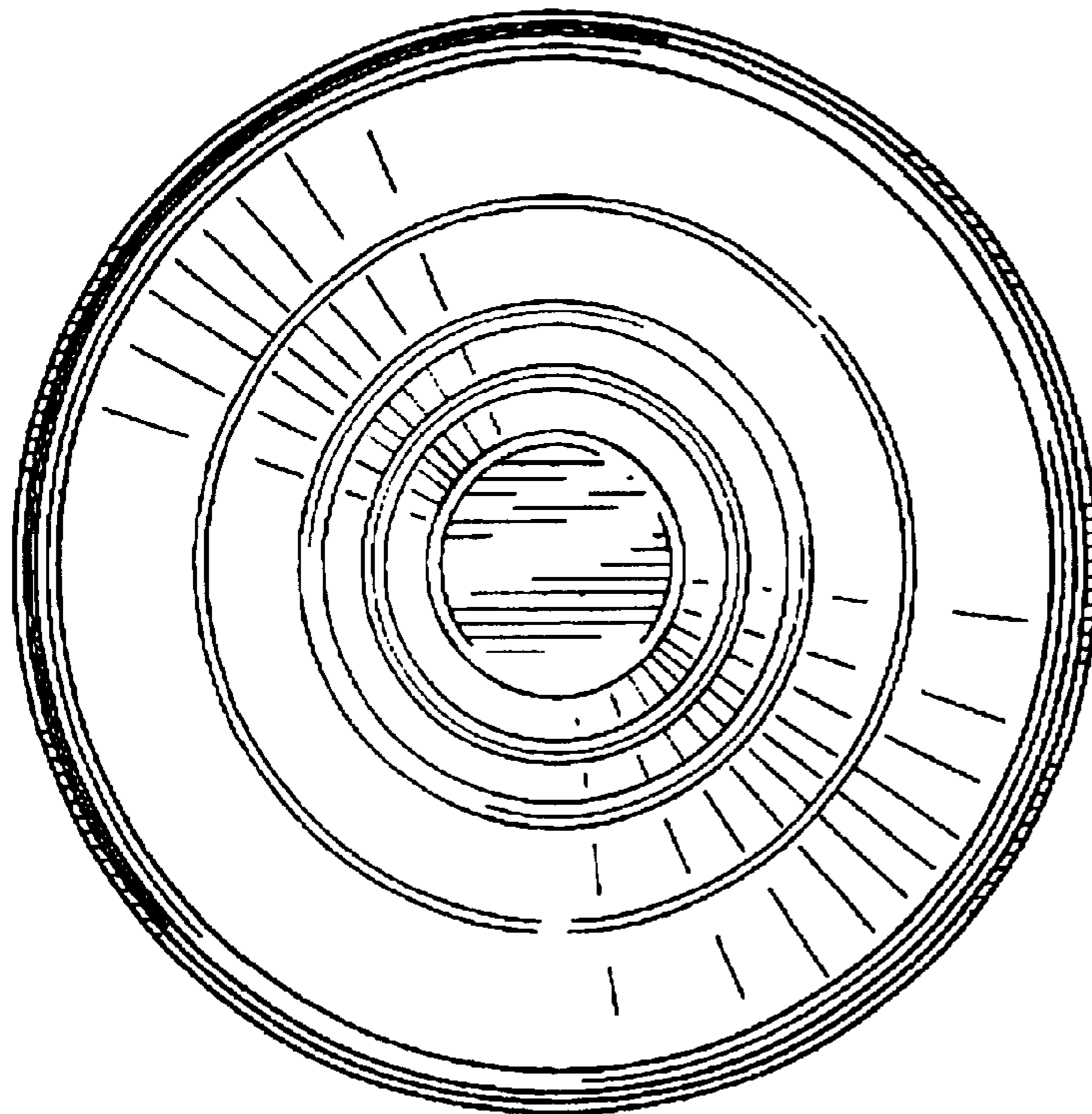


FIG. 4