



US00D538922S

(12) **United States Design Patent**
Graham

(10) **Patent No.:** **US D538,922 S**

(45) **Date of Patent:** **** Mar. 20, 2007**

(54) **AIRWAY HEAT AND MOISTURE EXCHANGER**

(75) Inventor: **Mark Andrew Graham**, Folkestone (GB)

(73) Assignee: **Smiths Group PLC**, London (GB)

(**) Term: **14 Years**

(21) Appl. No.: **29/238,157**

(22) Filed: **Sep. 13, 2005**

(51) **LOC (8) Cl.** **23-04**

(52) **U.S. Cl.** **D23/386**

(58) **Field of Classification Search** D23/393,
D23/388, 386, 205, 323, 336, 399; 138/38;
165/80.5, 177, DIG. 52, DIG. 407, DIG. 408,
165/DIG. 426; D24/129, 130; 128/205.29,
128/201.13, 204.17, 207.14

See application file for complete search history.

(56) **References Cited**

U.S. PATENT DOCUMENTS

D325,628 S	*	4/1992	Cho	D23/370
D328,346 S	*	7/1992	Dye	D24/129
D357,734 S	*	4/1995	Mongeon	D24/129
D360,027 S	*	7/1995	Psaros	D24/129

D361,379 S	*	8/1995	Sancoff et al.	D24/129
D363,541 S	*	10/1995	Cottone et al.	D24/129
D377,829 S	*	2/1997	Andresen	D23/393
5,701,891 A	*	12/1997	Groenke	128/205.29
D400,240 S	*	10/1998	Thallemer et al.	D23/386
5,992,413 A	*	11/1999	Martin et al.	128/201.13
6,550,476 B1	*	4/2003	Ryder	128/201.13
2004/0216739 A1	*	11/2004	Fini	128/204.17
2004/0255952 A1	*	12/2004	Carlsen et al.	128/207.14

* cited by examiner

Primary Examiner—Louis Zarfaz

Assistant Examiner—David Muller

(74) *Attorney, Agent, or Firm*—Louis Woo

(57) **CLAIM**

The ornamental design for airway heat and moisture exchanger, as shown and described.

DESCRIPTION

FIG. 1 is a perspective view of the instant invention heat and moisture exchanger (HME);

FIG. 2 is a back view of the inventive HME of FIG. 1;

FIG. 3 is a bottom view of the HME of FIG. 1;

FIG. 4 is one side view of the HME of FIG. 1; and,

FIG. 5 is another side view of the HME of FIG. 1.

1 Claim, 3 Drawing Sheets

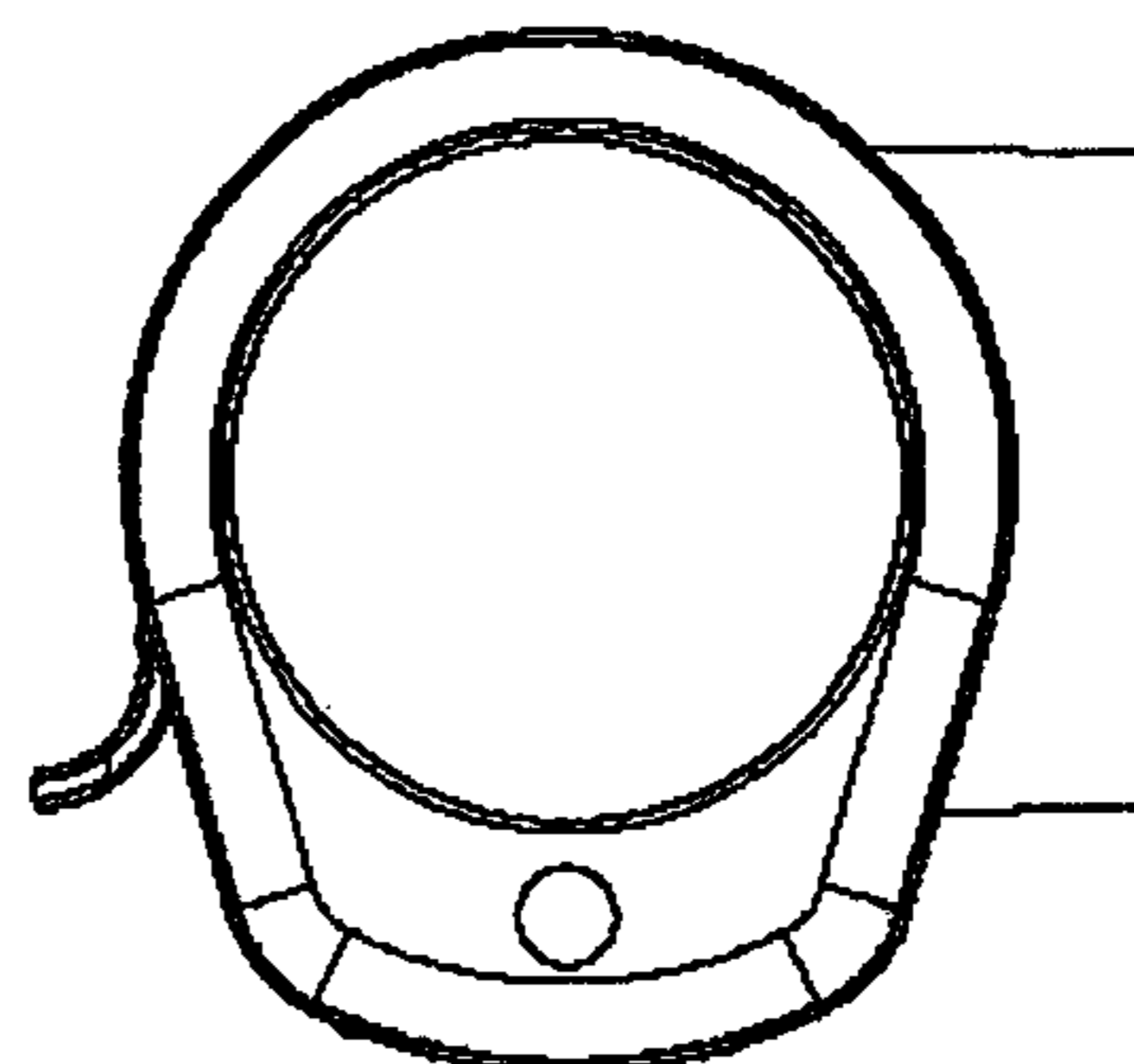
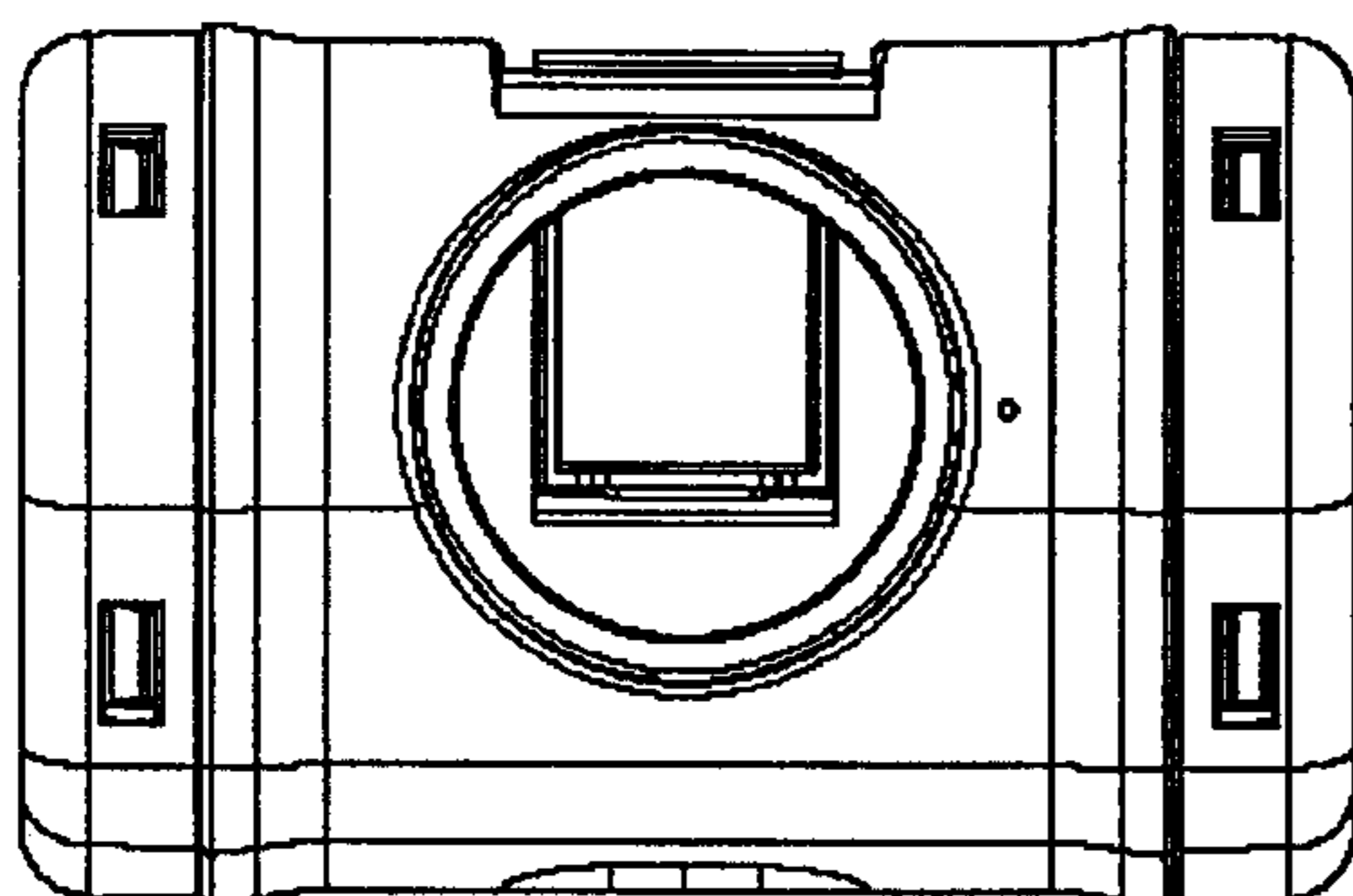
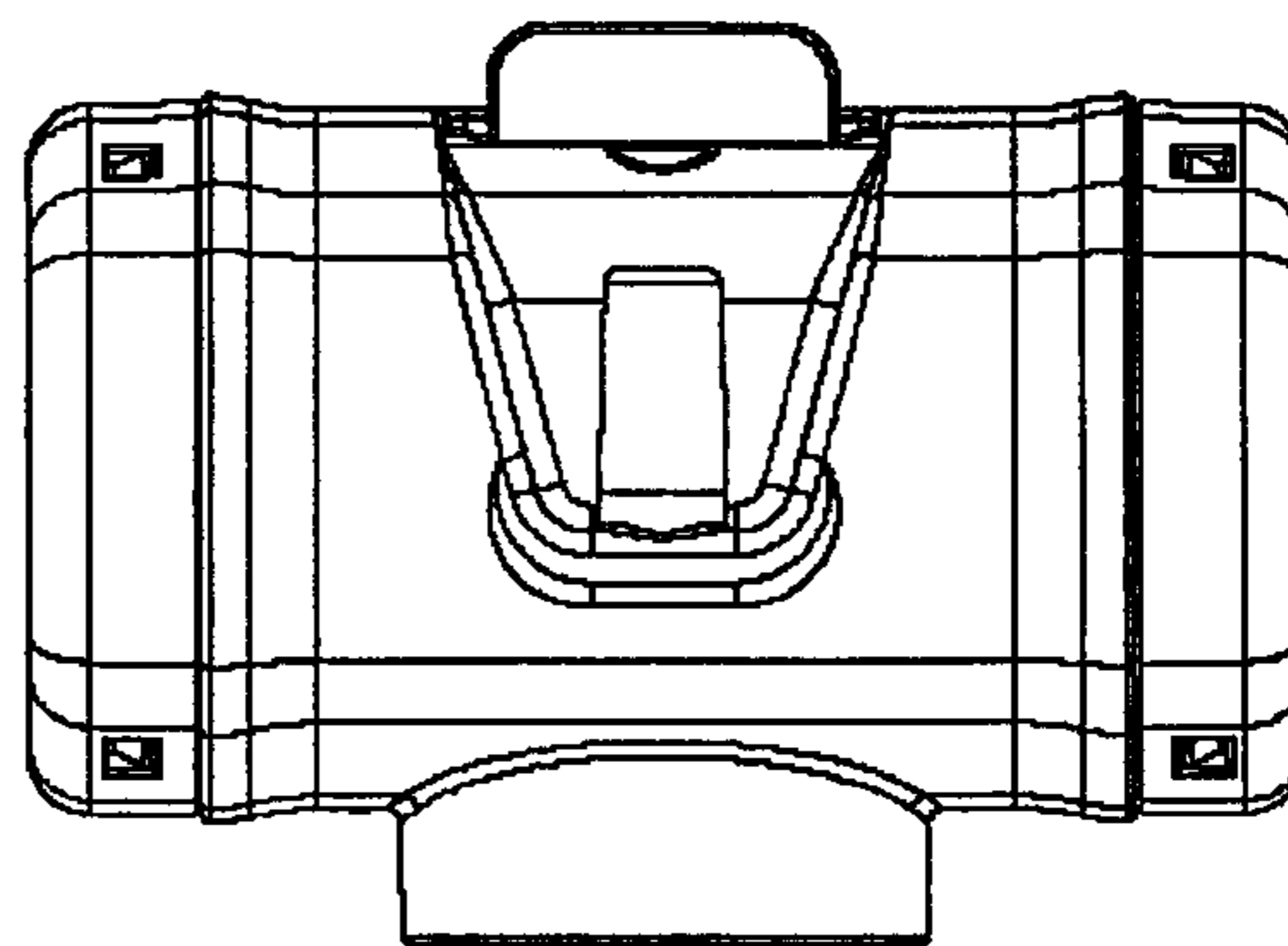
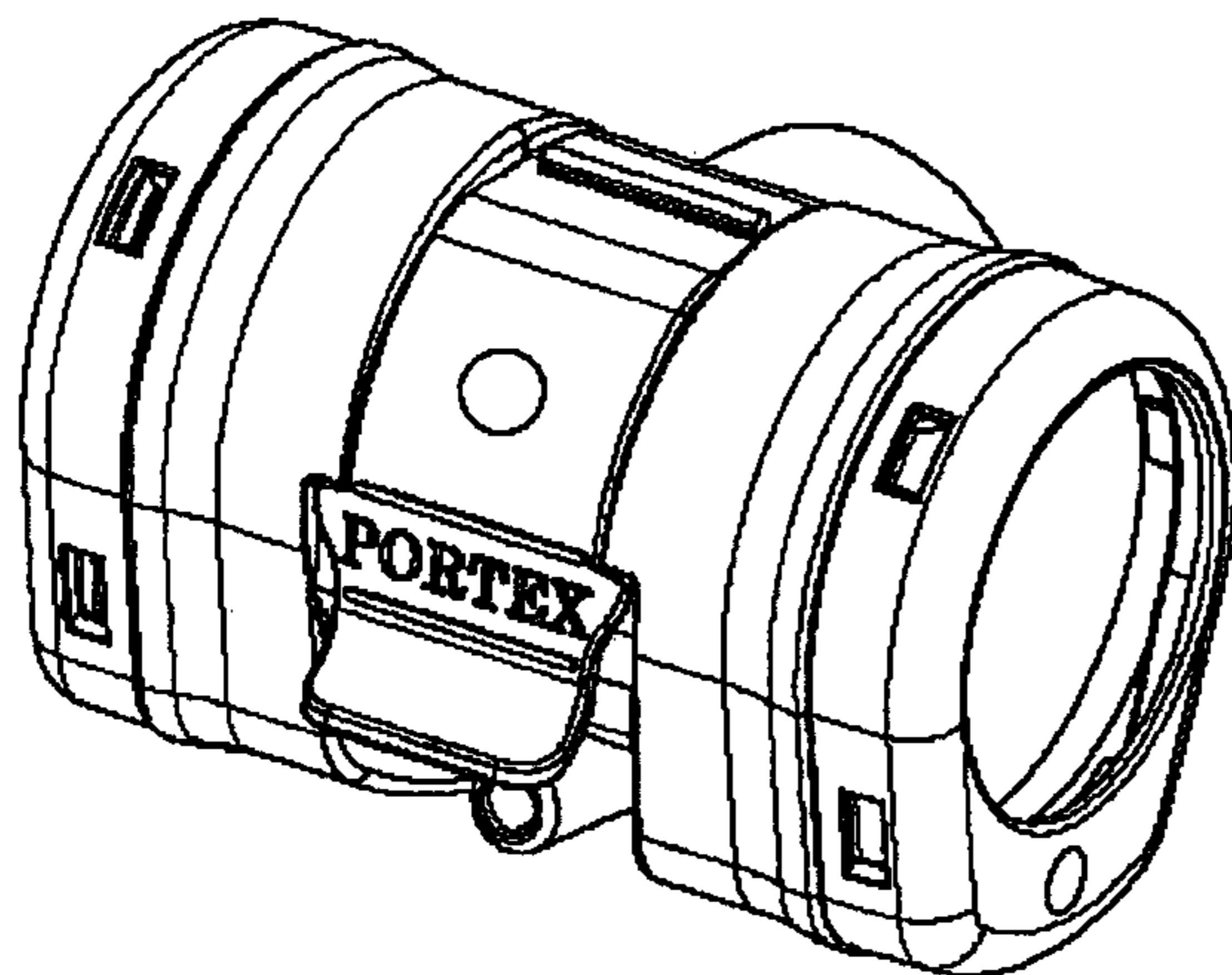


FIG. 1

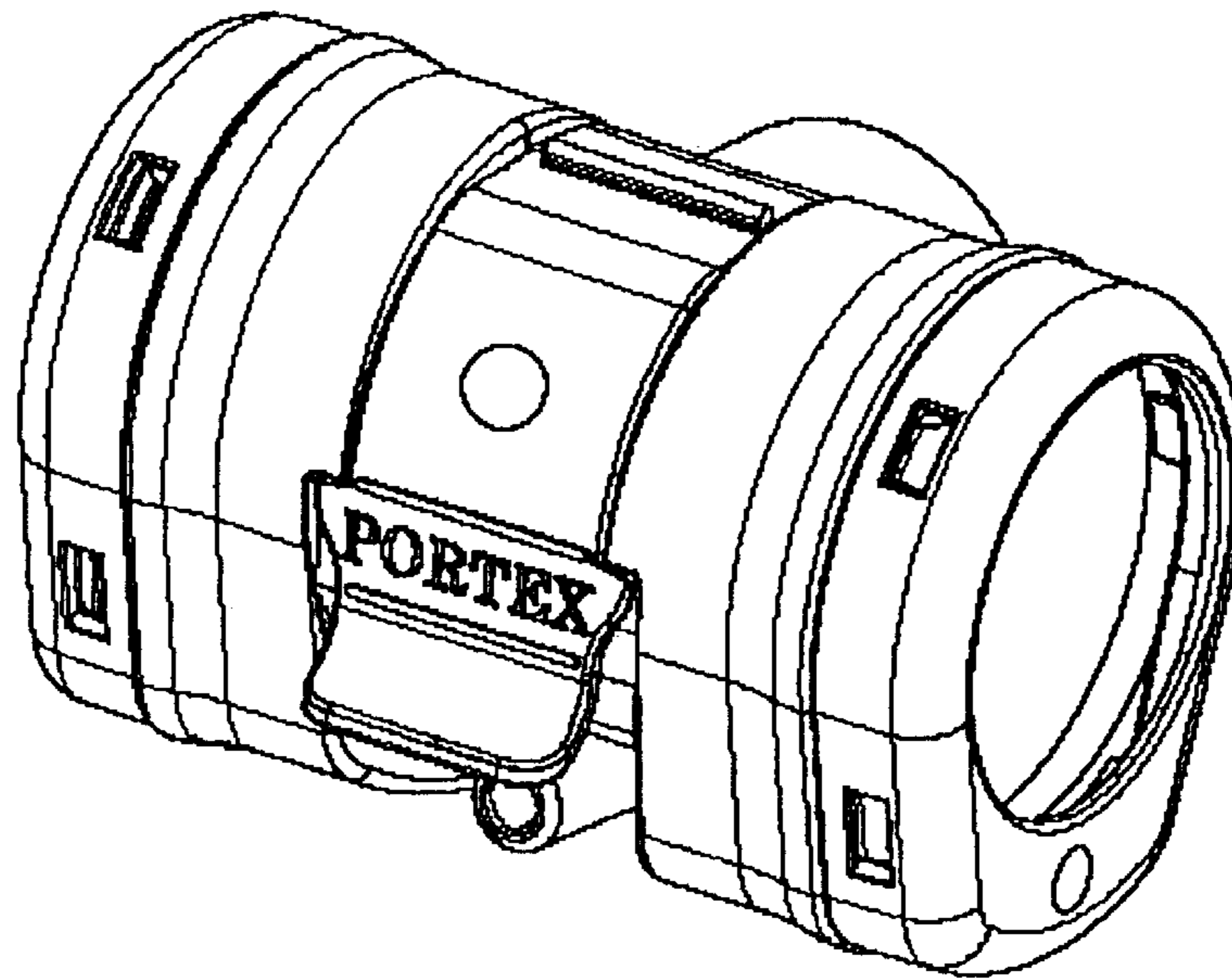


FIG. 2

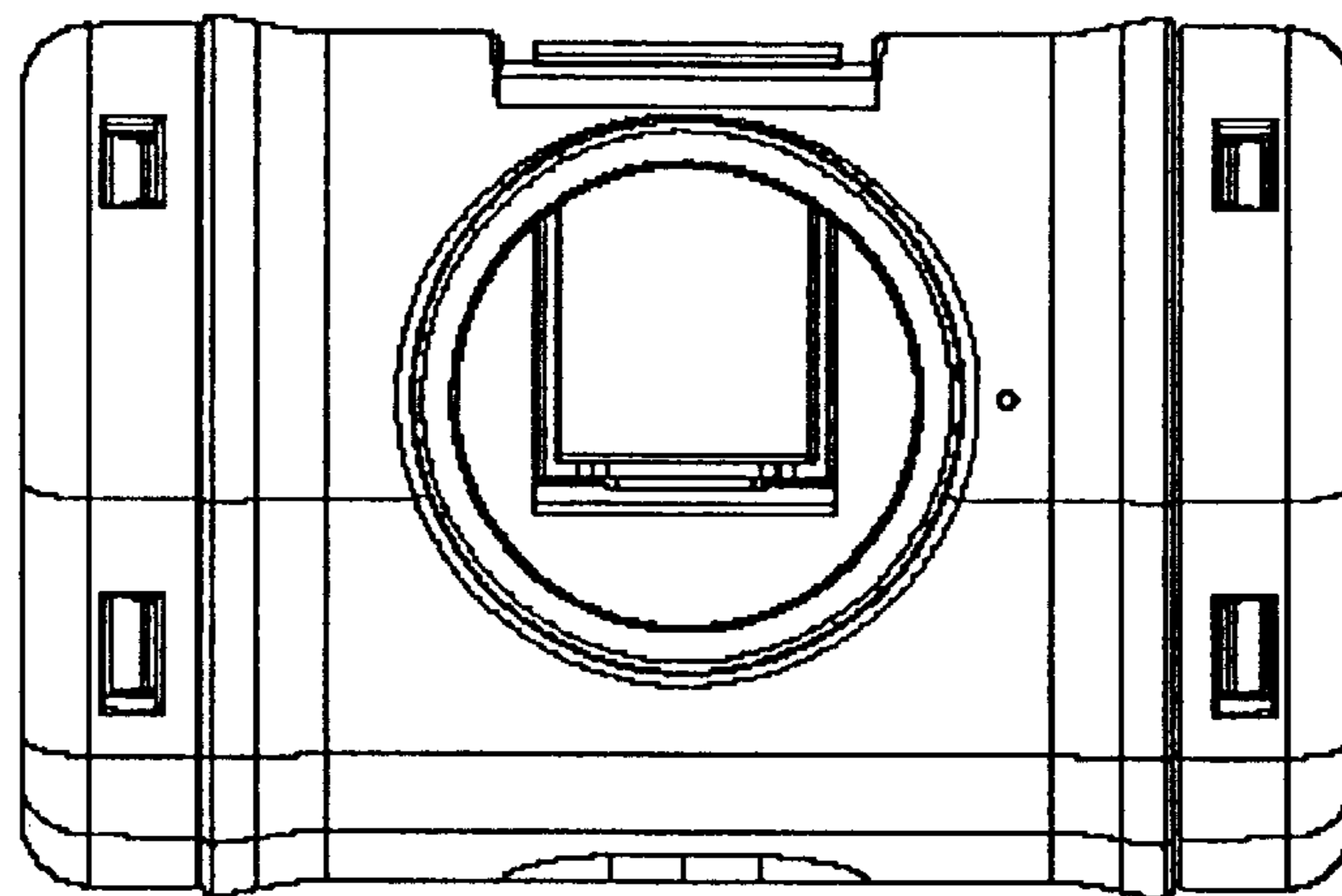


FIG. 3

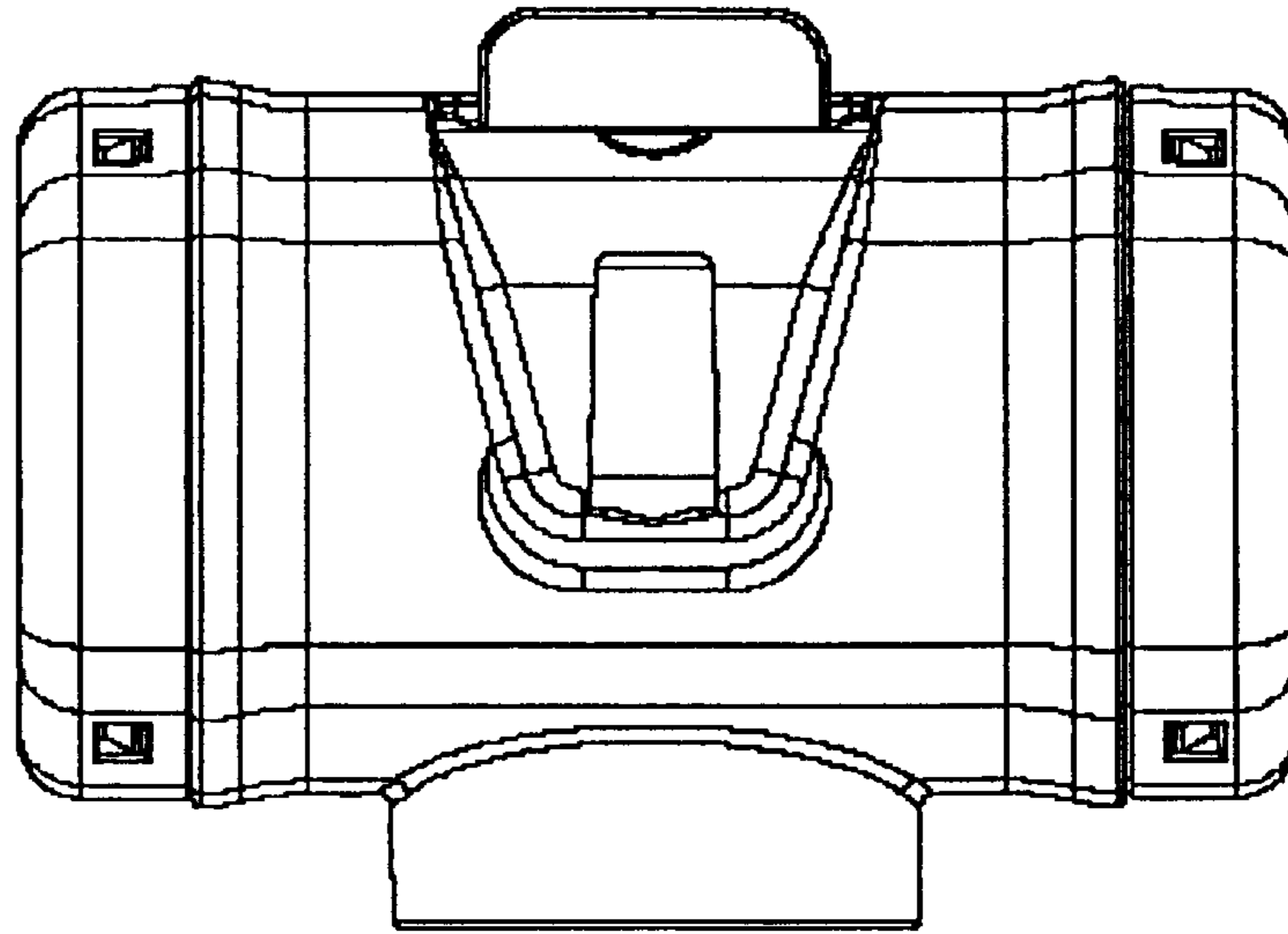
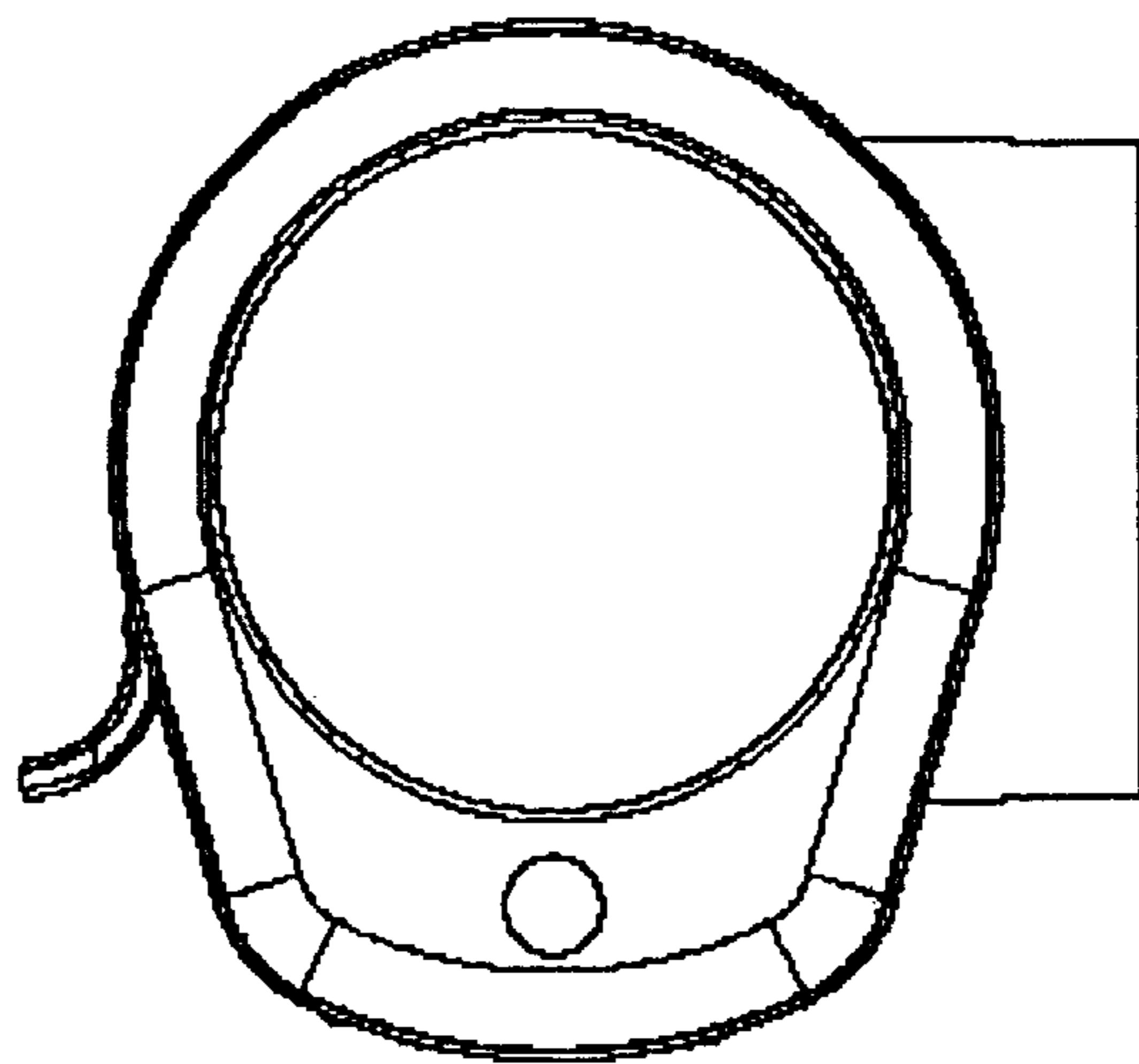


FIG. 4



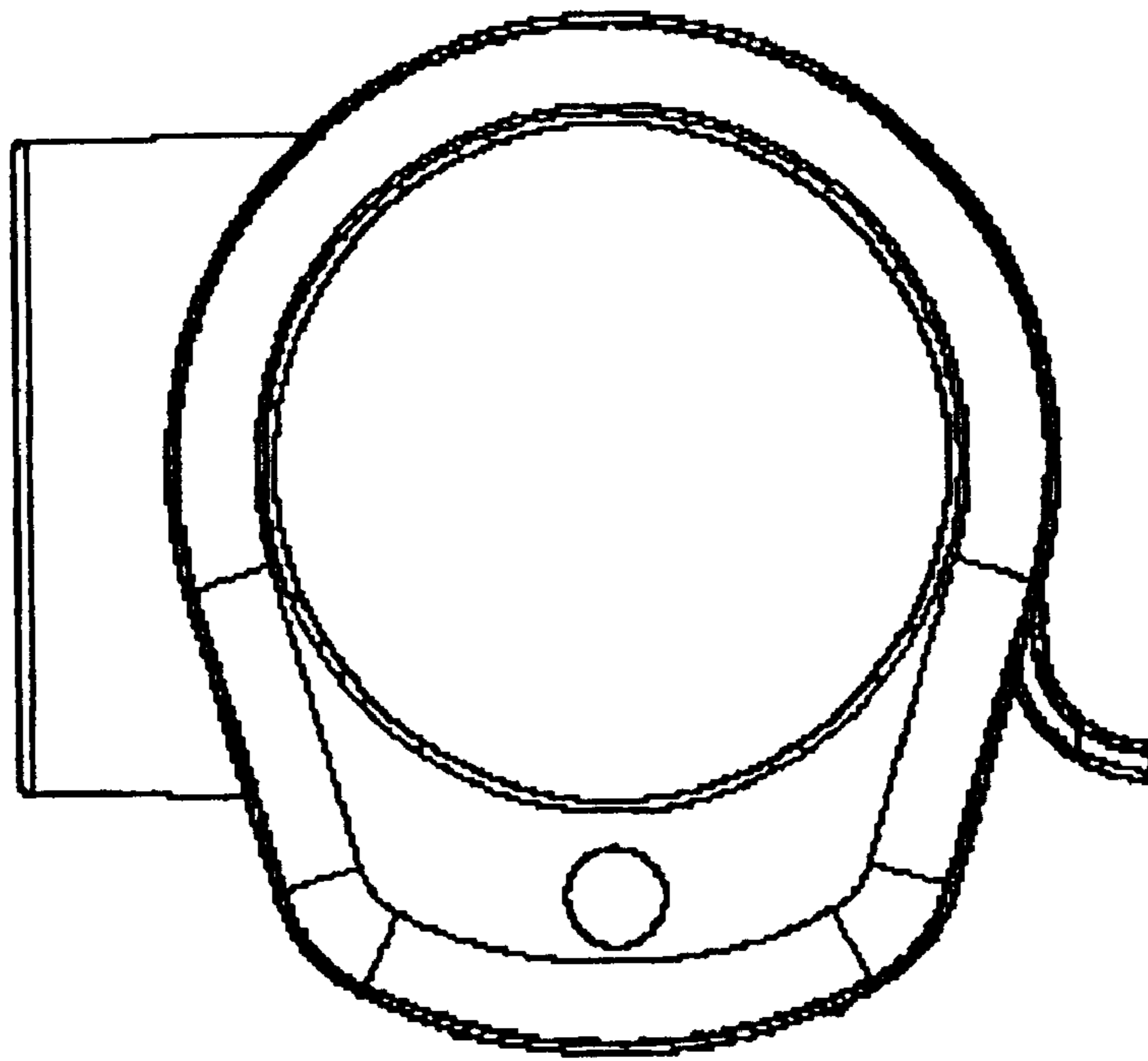


FIG. 5