



US00D538921S

(12) **United States Design Patent**
Li

(10) **Patent No.:** **US D538,921 S**

(45) **Date of Patent:** **** Mar. 20, 2007**

(54) **ELECTRIC FAN**

D483,852 S * 12/2003 Wong D23/382

(75) Inventor: **Dejian Li**, Guangdong (CN)

* cited by examiner

(73) Assignee: **Jiangmen Shengke Co., Ltd.**,
Guangzhou (CN)

Primary Examiner—Lisa Lichtenstein
(74) *Attorney, Agent, or Firm*—Intellectual Property Law
Group LLP; Otto O. Lee; Juneko Jackson

(**) Term: **14 Years**

(57) **CLAIM**

(21) Appl. No.: **29/252,690**

The ornamental design for an electric fan, as shown and described.

(22) Filed: **Jan. 25, 2006**

(51) **LOC (8) Cl.** **23-04**

(52) **U.S. Cl.** **D23/382**

(58) **Field of Classification Search** D23/370,
D23/381, 382, 332, 335–336, 411, 412; 416/247 R,
416/246

See application file for complete search history.

DESCRIPTION

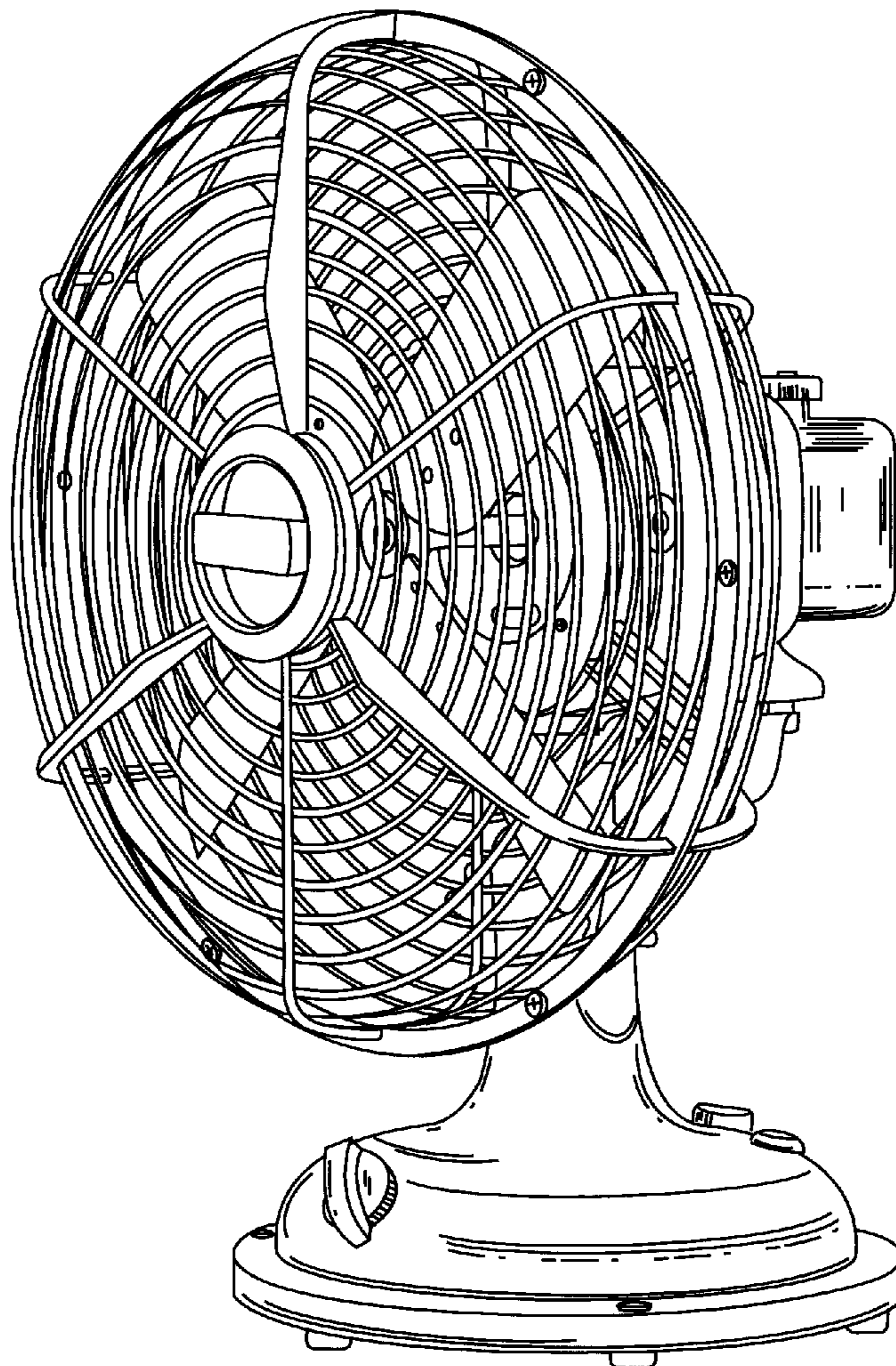
FIG. 1 is a perspective view of an electric fan embodying my design;
FIG. 2 is a front elevational view thereof;
FIG. 3 is a rear elevational view thereof;
FIG. 4 is a left side elevational view thereof;
FIG. 5 is a right side elevational view thereof;
FIG. 6 is a top plan view thereof; and,
FIG. 7 is a bottom plan view thereof.

(56) **References Cited**

U.S. PATENT DOCUMENTS

D391,357 S * 2/1998 Chi D23/382

1 Claim, 5 Drawing Sheets



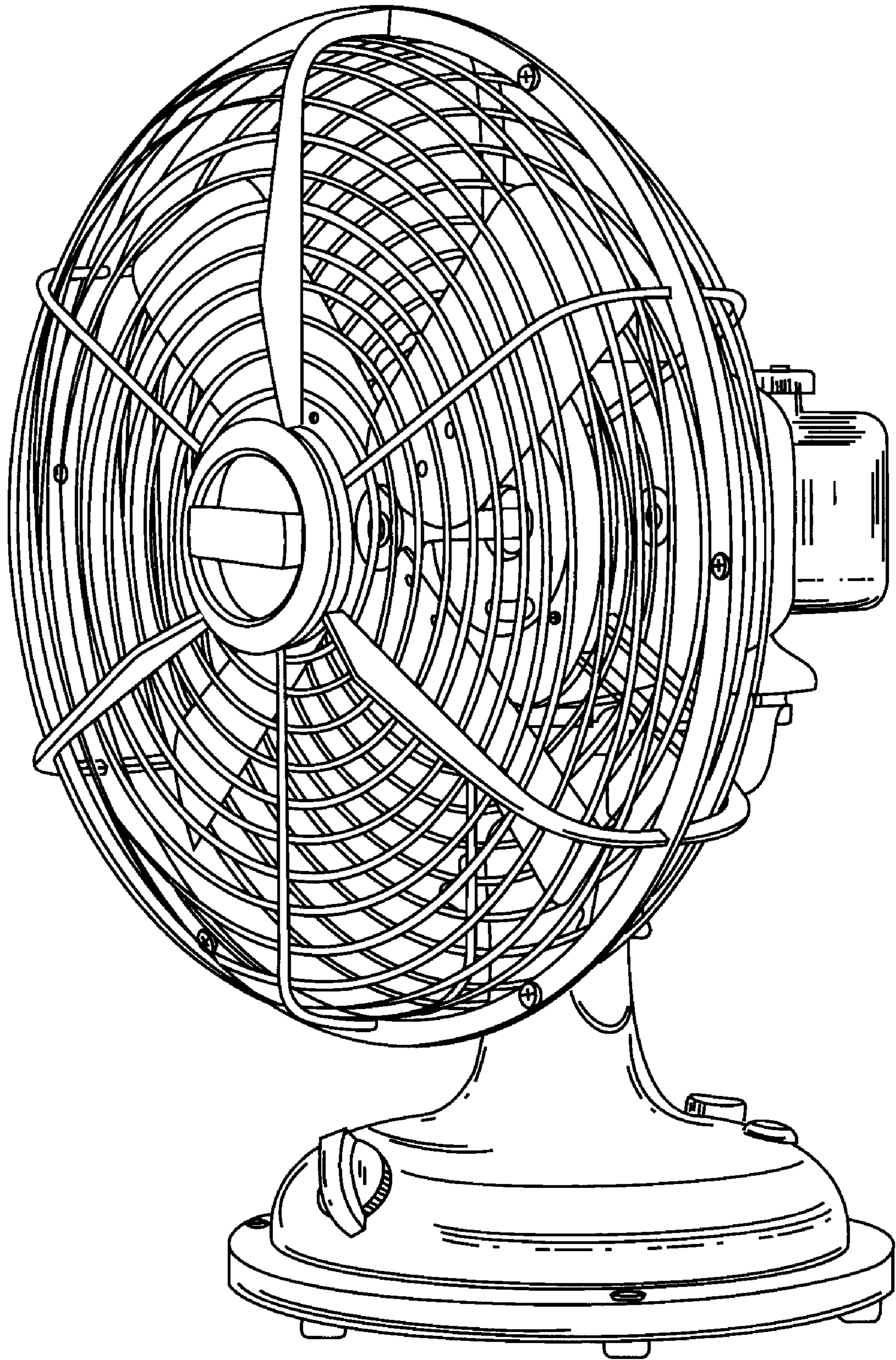


FIG. 1

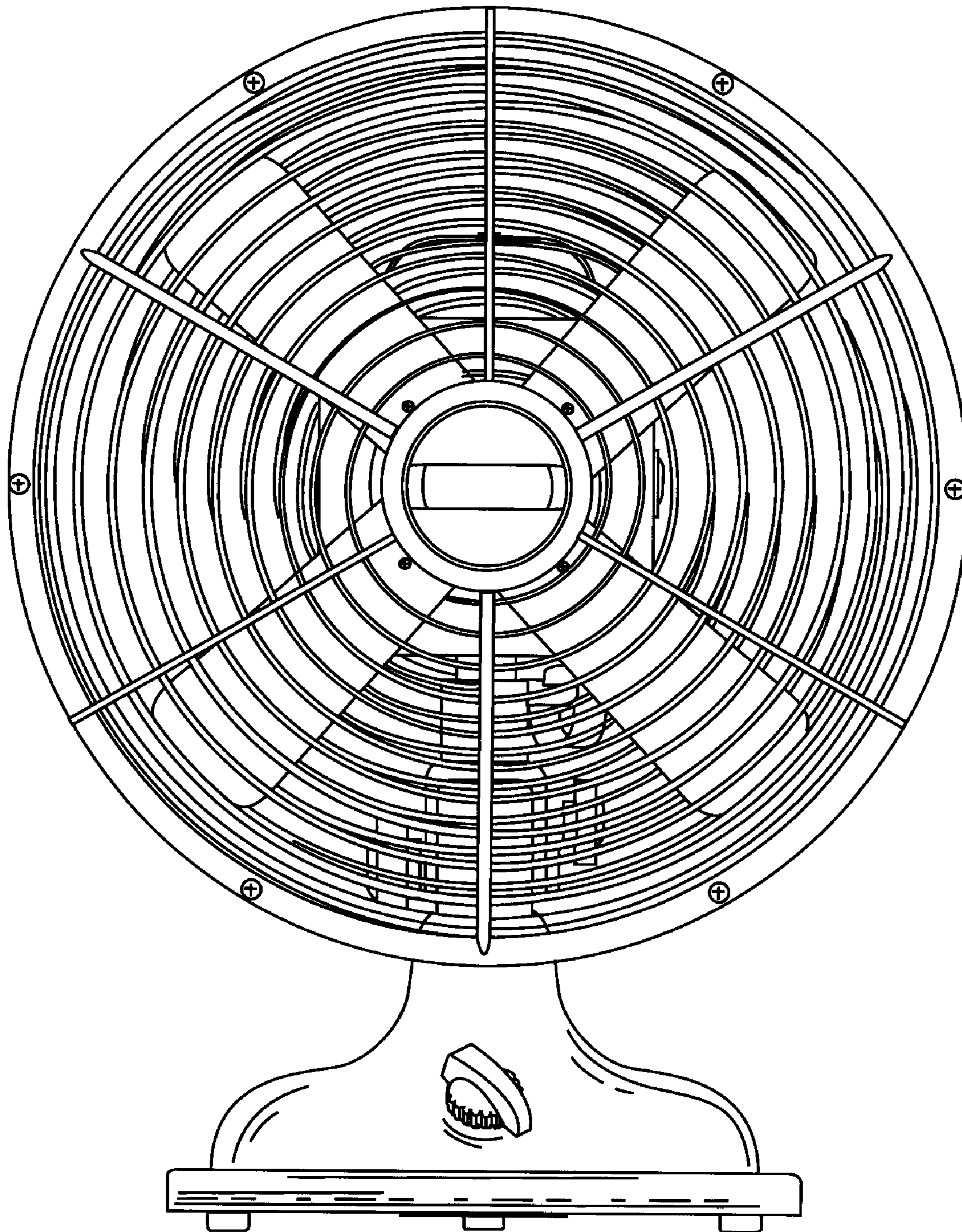


FIG. 2

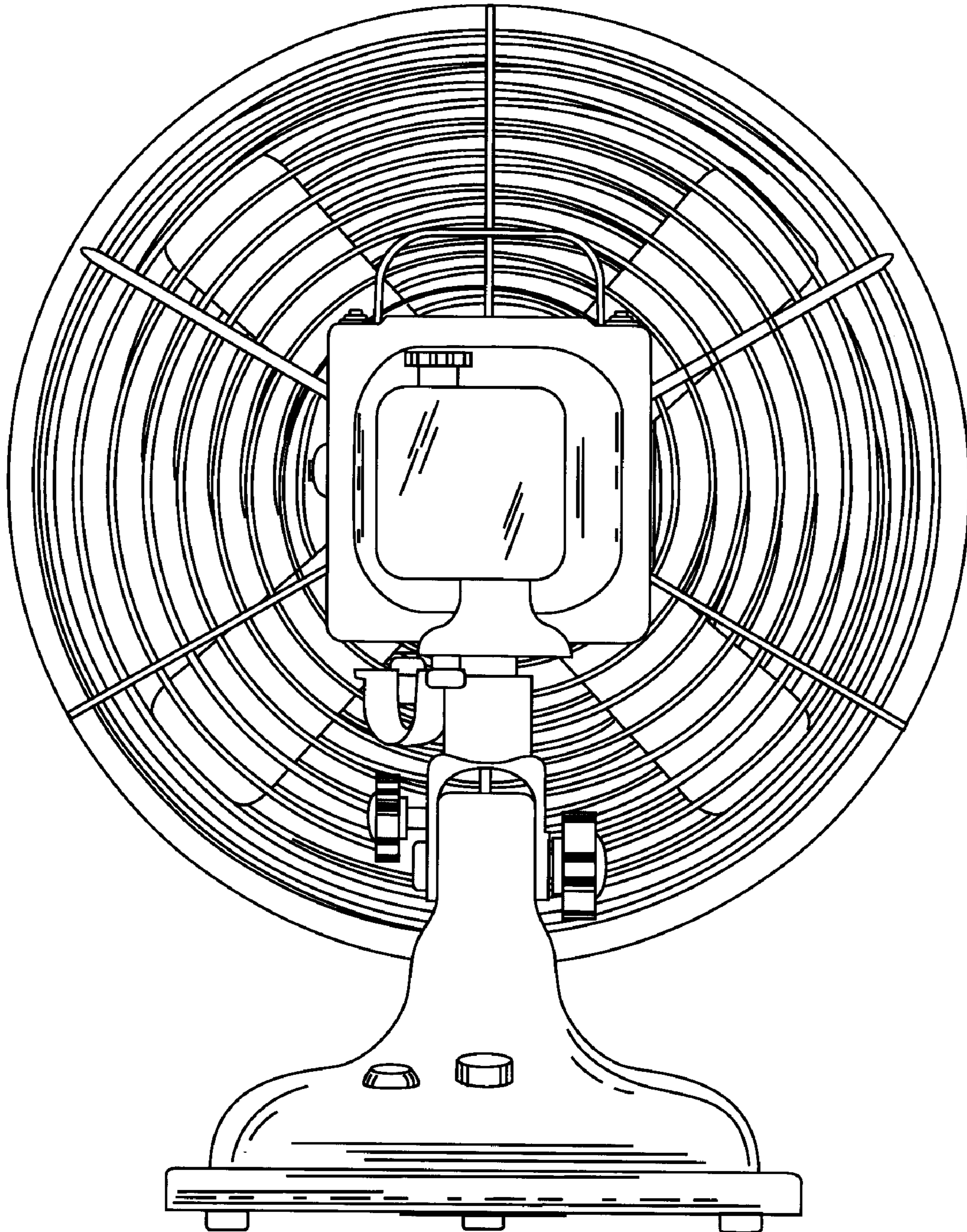


FIG. 3

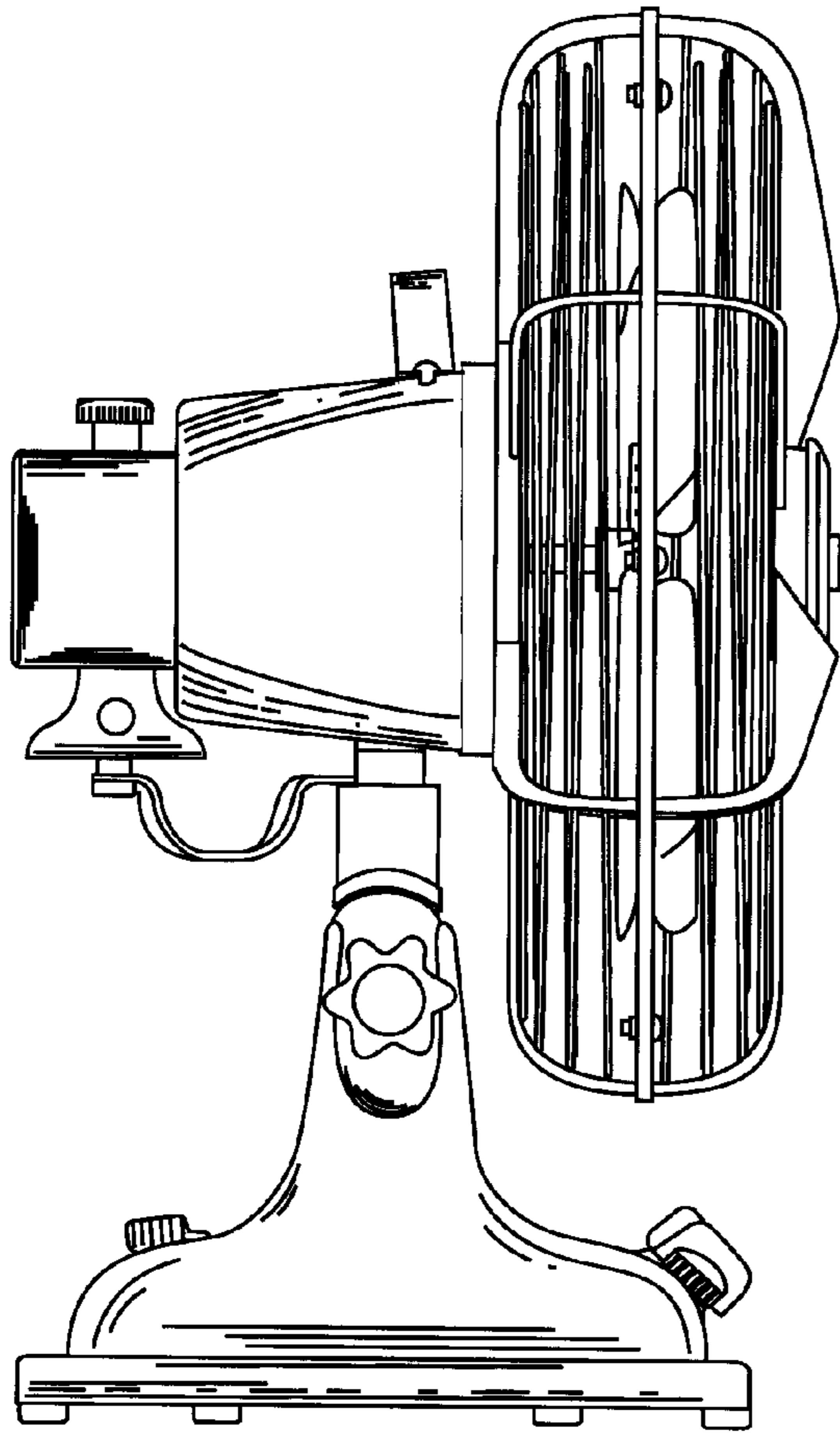


FIG. 4

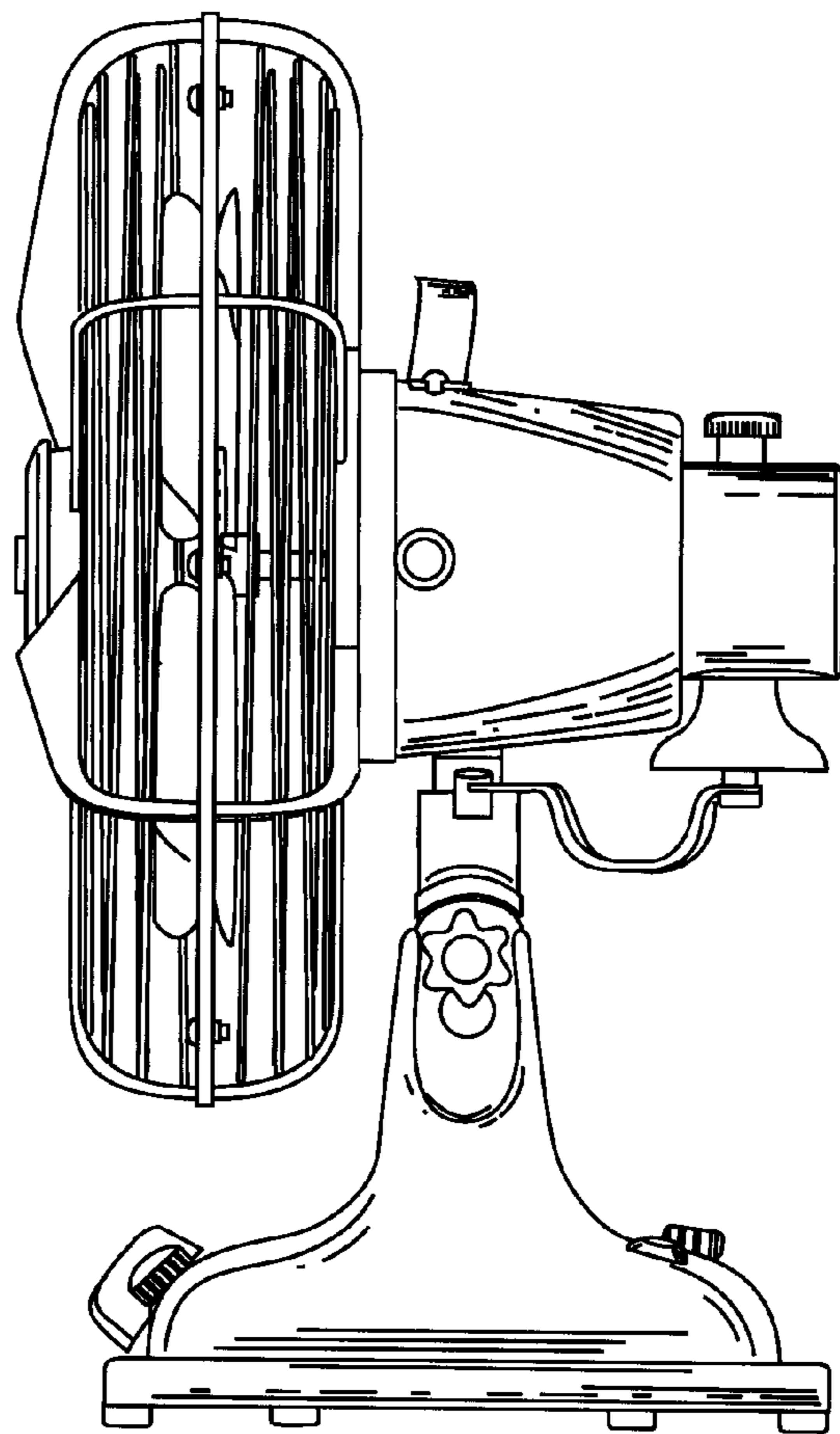


FIG. 5

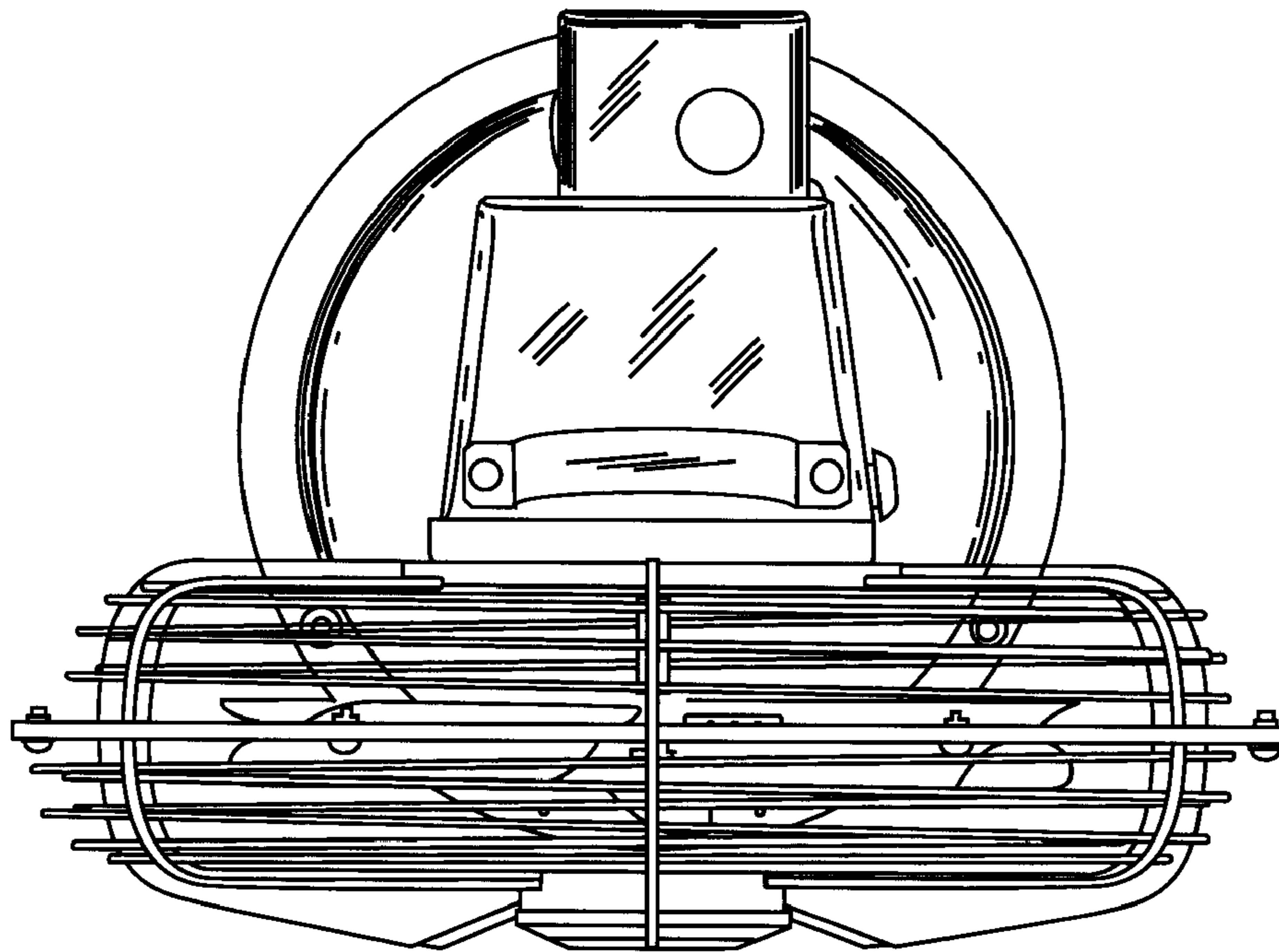


FIG. 6

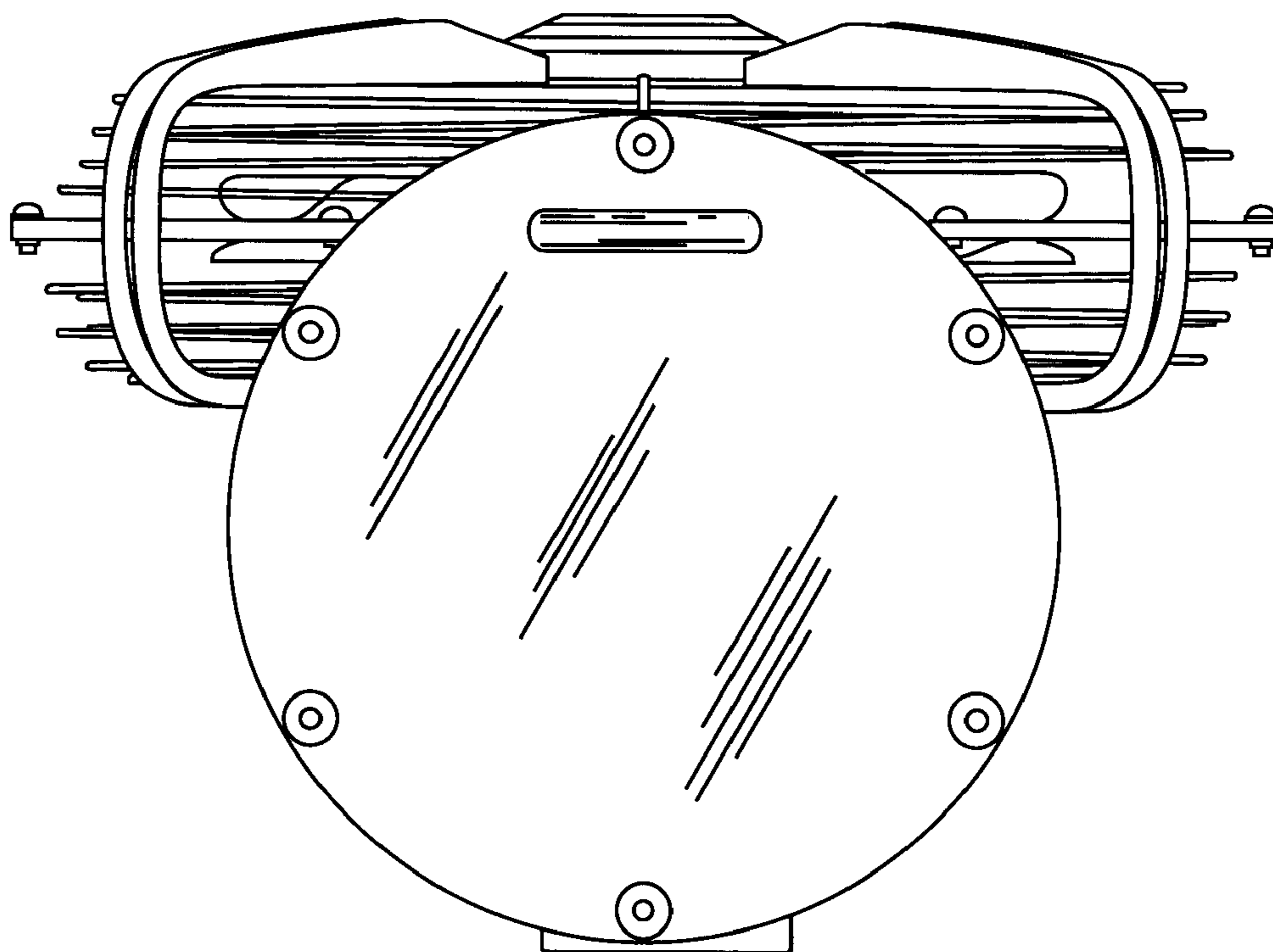


FIG. 7