



US00D538920S

(12) **United States Design Patent**
Russak et al.

(10) **Patent No.:** **US D538,920 S**

(45) **Date of Patent:** **** Mar. 20, 2007**

(54) **PIVOT MOUNT FAN**

D457,618 S * 5/2002 Lee et al. D23/382

(75) Inventors: **Stephen Russak**, Demarest, NJ (US);
Anthony DeMore, Chardon, OH (US);
Steven Vordenberg, New York, NY
(US)

* cited by examiner

Primary Examiner—Lisa Lichtenstein

(74) *Attorney, Agent, or Firm*—Darby & Darby

(73) Assignee: **Kaz, Incorporated**, New York, NY
(US)

(57) **CLAIM**

The ornamental design for a pivot mount fan, as shown and described.

(**) Term: **14 Years**

DESCRIPTION

(21) Appl. No.: **29/252,221**

FIG. 1 is a top front perspective view of a new design for a pivot mount fan;

(22) Filed: **Jan. 18, 2006**

FIG. 2 is a front elevation view thereof;

(51) **LOC (8) Cl.** **23-04**

(52) **U.S. Cl.** **D23/382**

(58) **Field of Classification Search** D23/370,
D23/381, 382, 332, 335–336, 411, 412; 416/247 R,
416/246

FIG. 3 is an enlarged right elevation view thereof with the fan rotated ninety degrees;

FIG. 4 is a greatly enlarged top plan view thereof;

FIG. 5 is a greatly enlarged bottom plan thereof;

FIG. 6 is an enlarged left elevation view thereof with the fan rotated ninety degrees; and,

FIG. 7 is an enlarged perspective view thereof.

See application file for complete search history.

The broken line showing of a fan grill is included for the purpose of illustrating environmental structure and forms no part of the claimed design.

(56) **References Cited**

U.S. PATENT DOCUMENTS

D384,738 S * 10/1997 Jane et al. D23/378

1 Claim, 4 Drawing Sheets

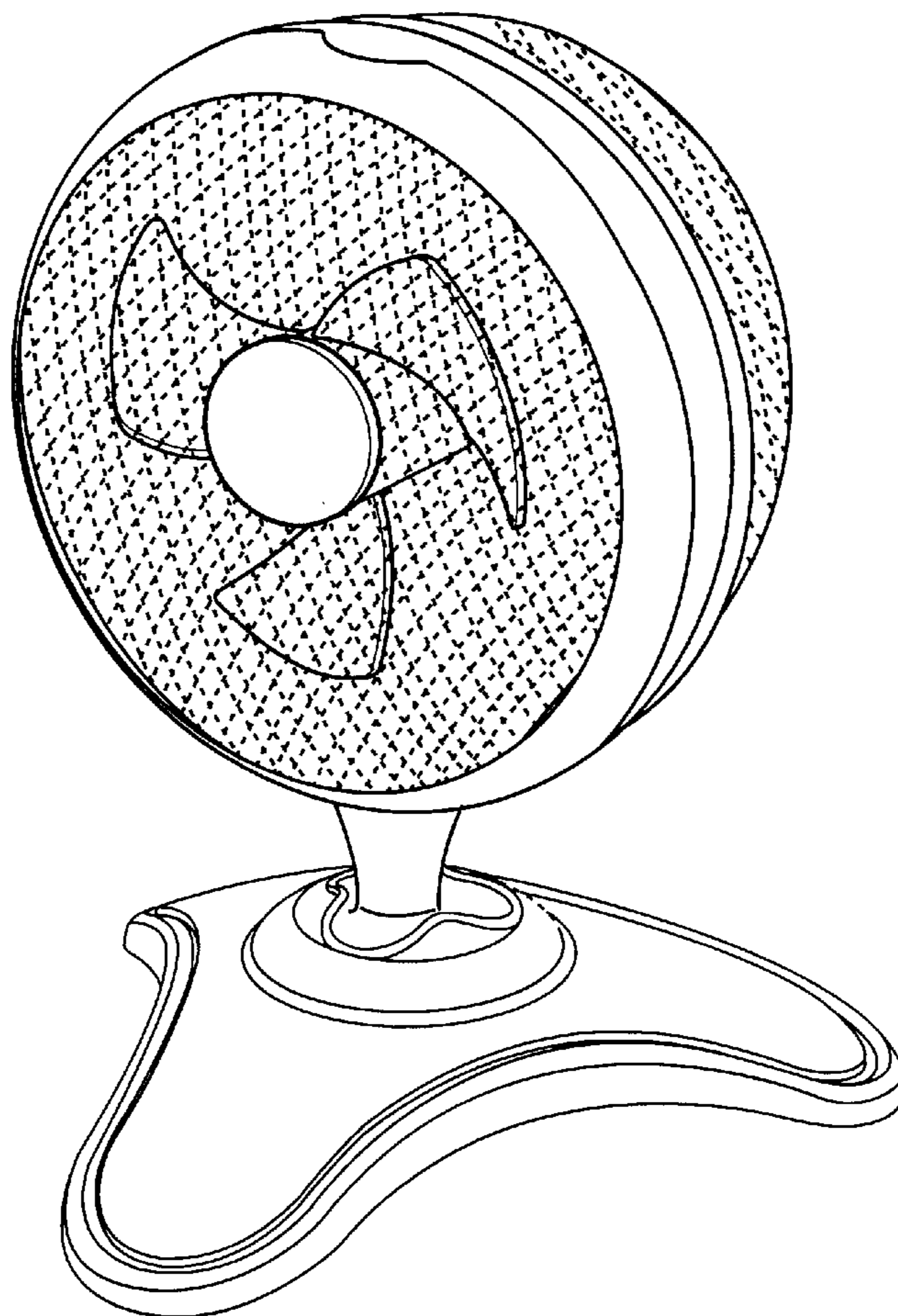


FIG. 1

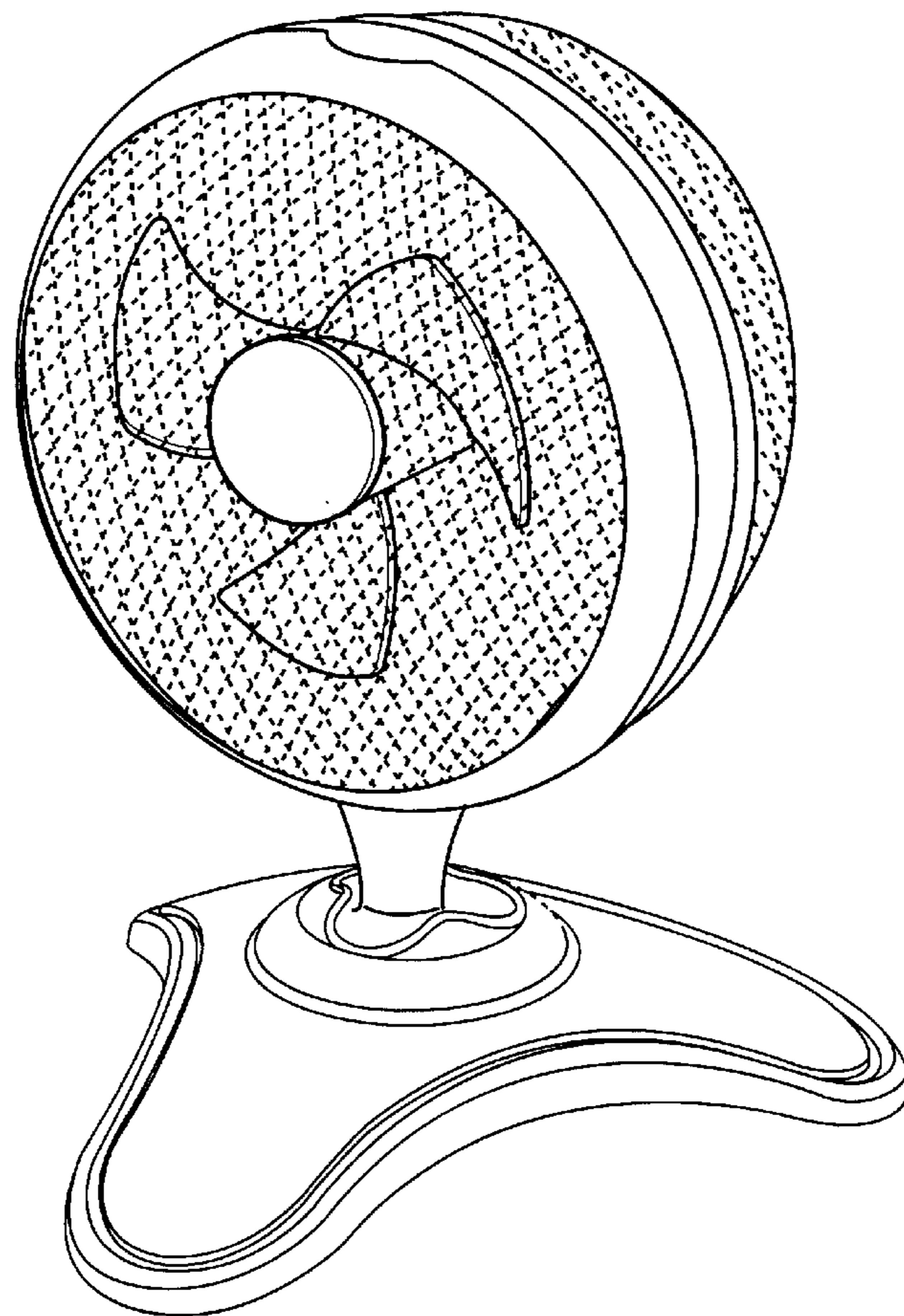


FIG. 2

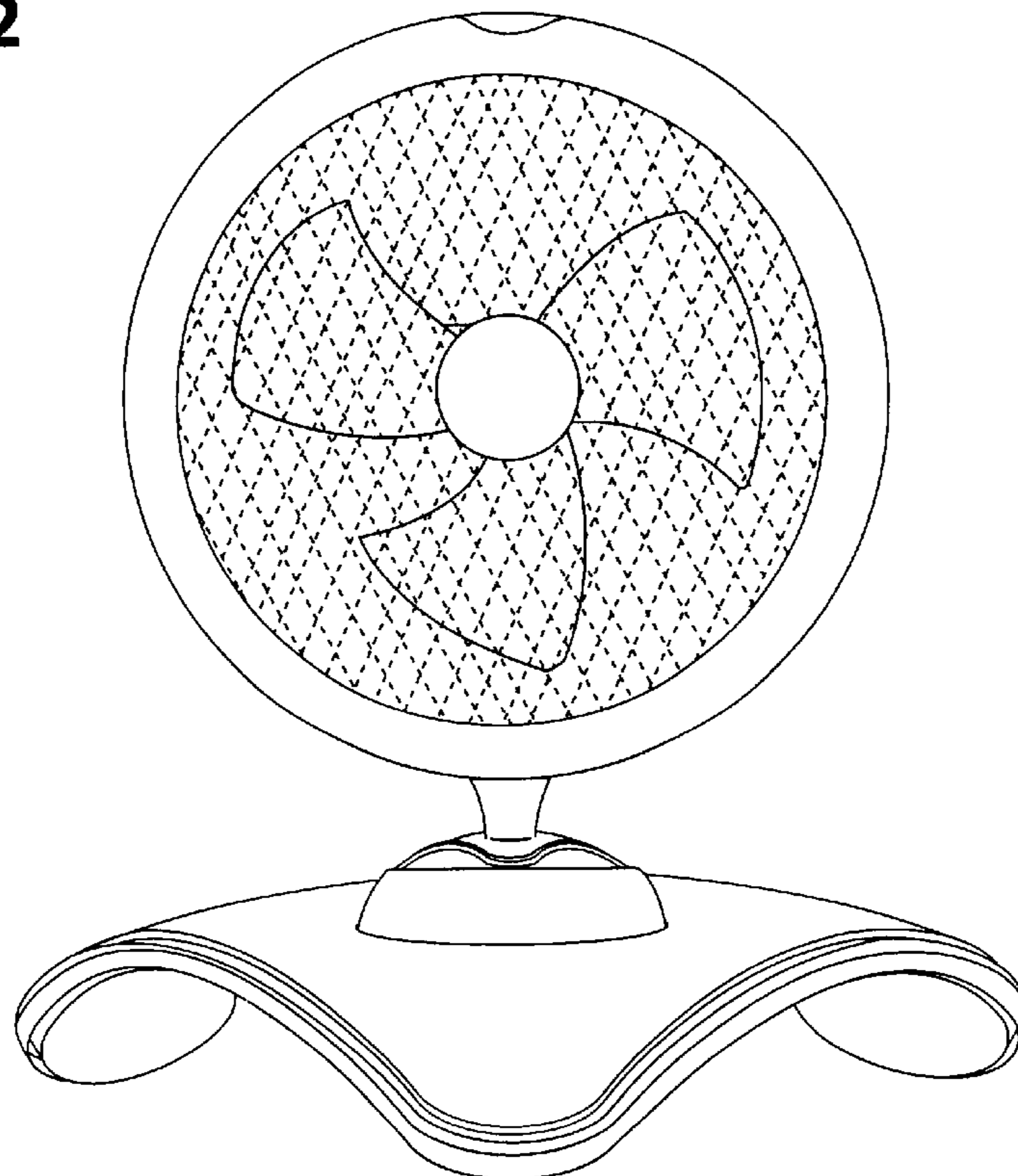


FIG. 3

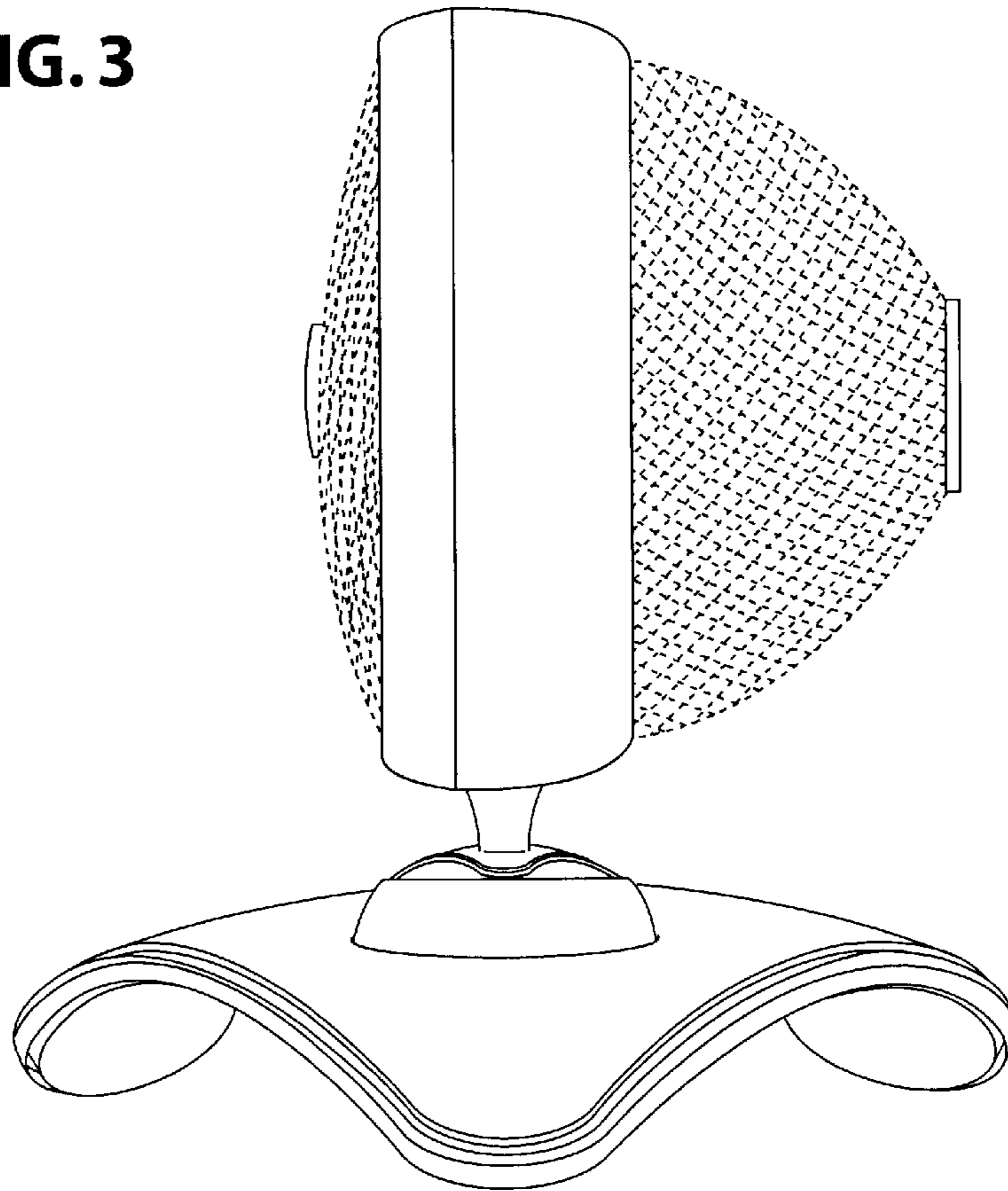


FIG. 4

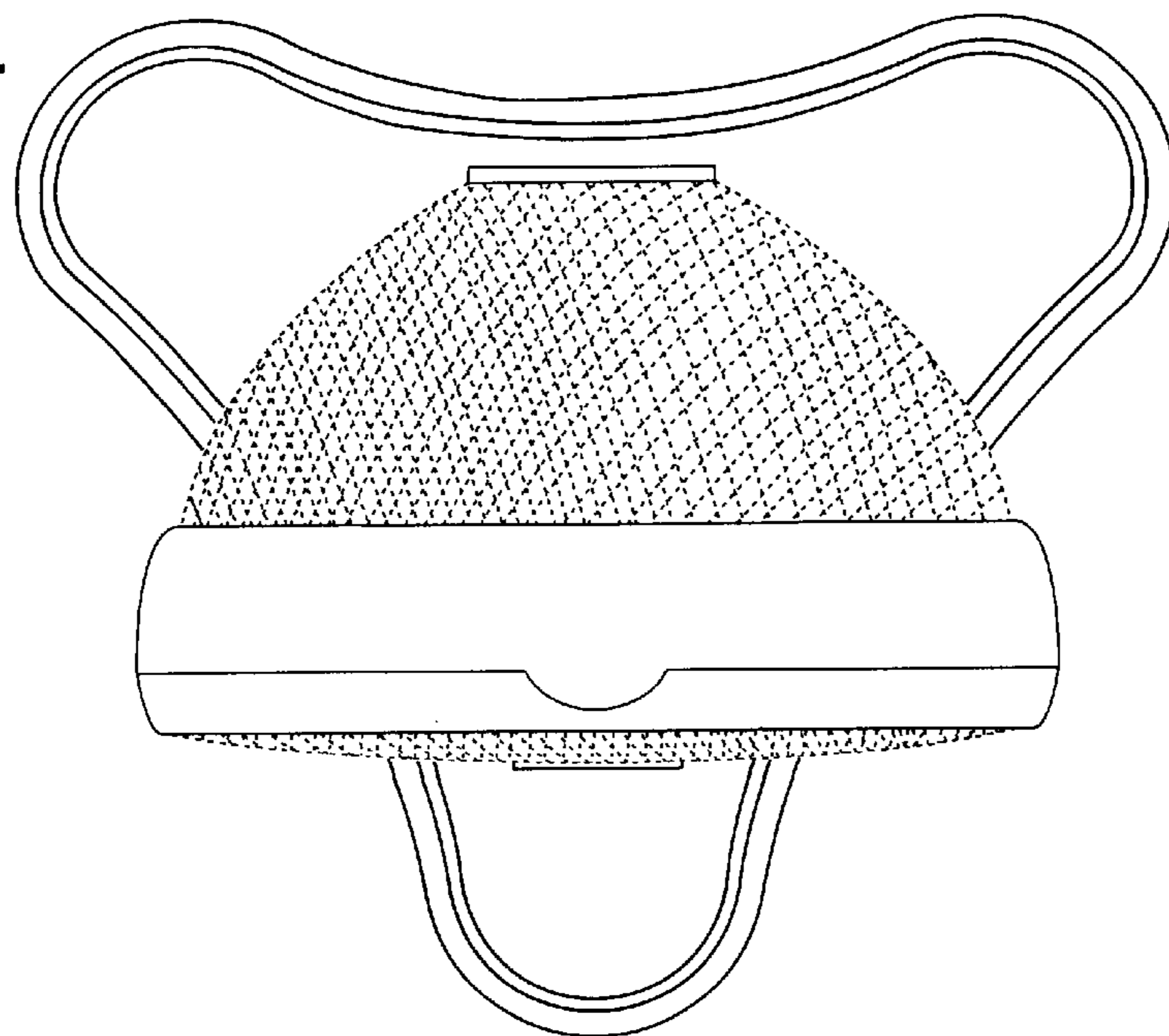


FIG. 5

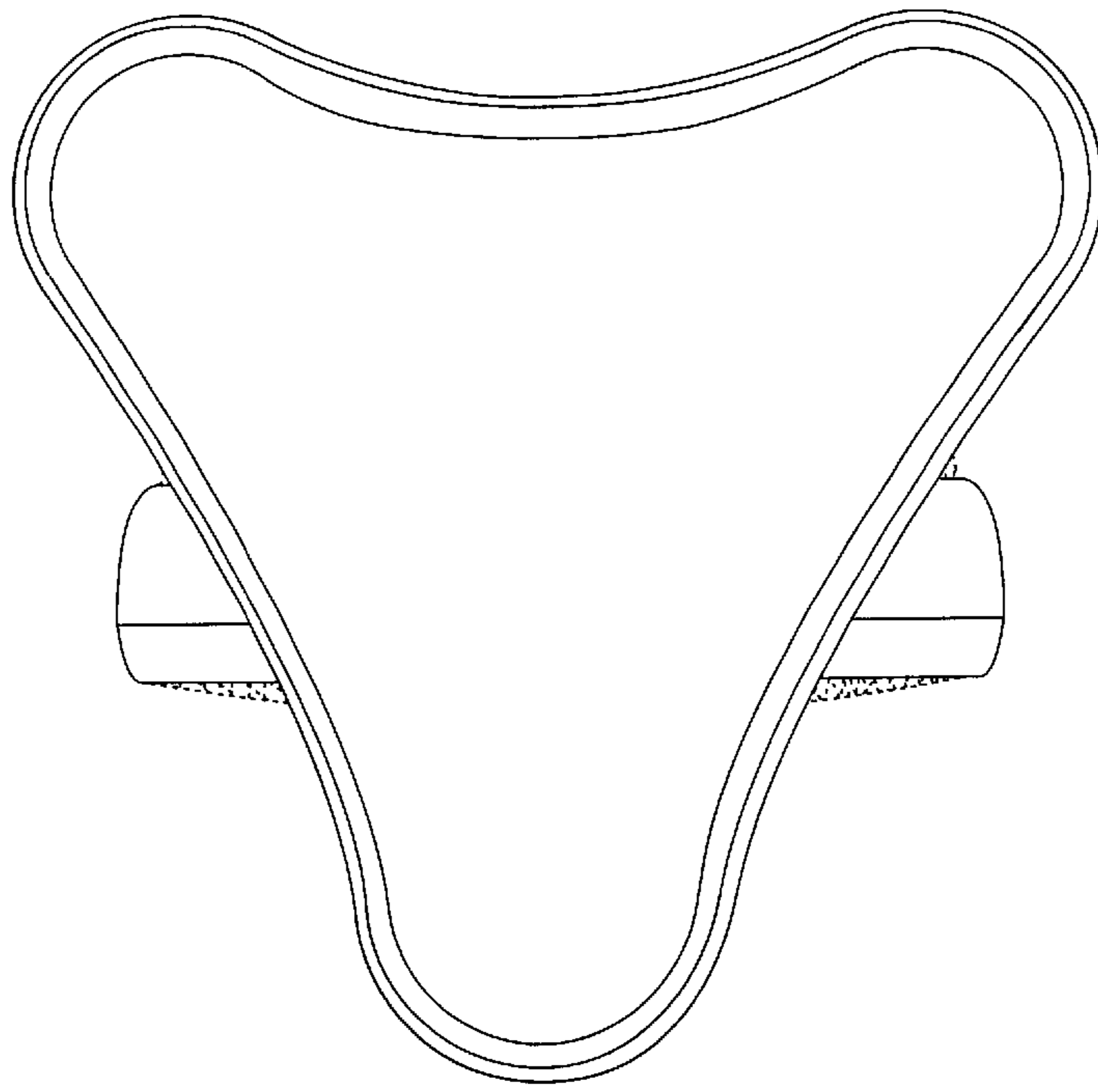


FIG. 6

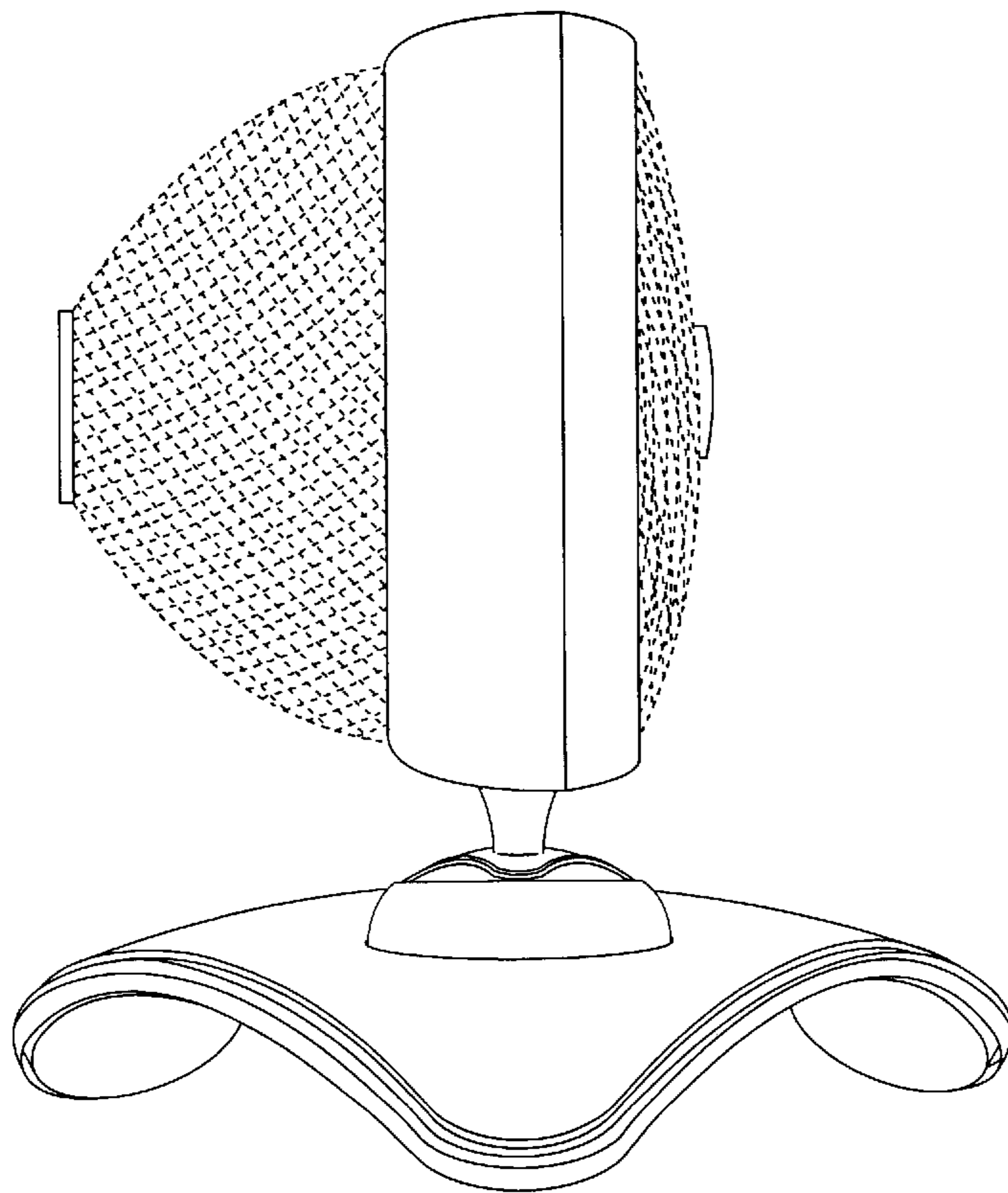


FIG. 7

