



US00D538917S

(12) **United States Design Patent**
Kashimura

(10) **Patent No.:** **US D538,917 S**

(45) **Date of Patent:** **** Mar. 20, 2007**

(54) **RANGE HOOD**

(75) Inventor: **Keiichi Kashimura**, Kanagawa (JP)

(73) Assignee: **Fuji Industrial Co., Ltd.**, Sagamihara (JP)

(**) Term: **14 Years**

(21) Appl. No.: **29/224,452**

(22) Filed: **Mar. 3, 2005**

(51) **LOC (8) Cl.** **23-04**

(52) **U.S. Cl.** **D23/372**

(58) **Field of Classification Search** D23/372,

D23/371; 126/299 R, 299 D

See application file for complete search history.

(56) **References Cited**

U.S. PATENT DOCUMENTS

D100,729 S	8/1936	Graff
2,548,607 A	4/1951	Jenn
3,011,422 A	12/1961	Scallon

(Continued)

FOREIGN PATENT DOCUMENTS

JP	1131000	1/2002
JP	1131001	1/2002
JP	1131246	1/2002
JP	1131427	1/2002

OTHER PUBLICATIONS

English language translation of Japanese Design Registration No. 1131000.

English language translation of Japanese Design Registration No. 1131001.

English language translation of Japanese Design Registration No. 1131246.

English language translation of Japanese Design Registration No. 1131427.

VentAHood: Complete Ventilation Systems brochure; copyright 1994.

U.S. Appl. No. 29/201,316 to Kudo, which was filed on Mar. 15, 2004.

U.S. Appl. No. 29/229,308 to Kashimura, which was filed on May 16, 2005.

U.S. Appl. No. 29/226,617 to Kashimura, which was filed on Mar. 31, 2005.

U.S. Appl. No. 29/226,618 to Kashimura, which was filed on Mar. 31, 2005.

U.S. Appl. No. 29/224,476 to Kashimura, which was filed on Mar. 3, 2005.

Primary Examiner—Lisa Lichtenstein

(74) *Attorney, Agent, or Firm*—Greenblum & Bernstein, P.L.C.

(57) **CLAIM**

I claim the ornamental design for a range hood, as shown and described.

DESCRIPTION

FIG. 1 is a top plan view of a first embodiment of a range hood, showing my new design;

FIG. 2 is a bottom plan view of the embodiment of FIG. 1;

FIG. 3 is a left side elevational view of the embodiment of FIG. 1, the right side being a mirror image of the left side;

FIG. 4 is a front elevational view of the embodiment of FIG. 1;

FIG. 5 is a rear elevational view of the embodiment of FIG. 1;

FIG. 6 is a bottom perspective view of the embodiment of FIG. 1;

FIG. 7 is a bottom perspective view of the embodiment of FIG. 1, showing the detachable plate removed and the filter exposed;

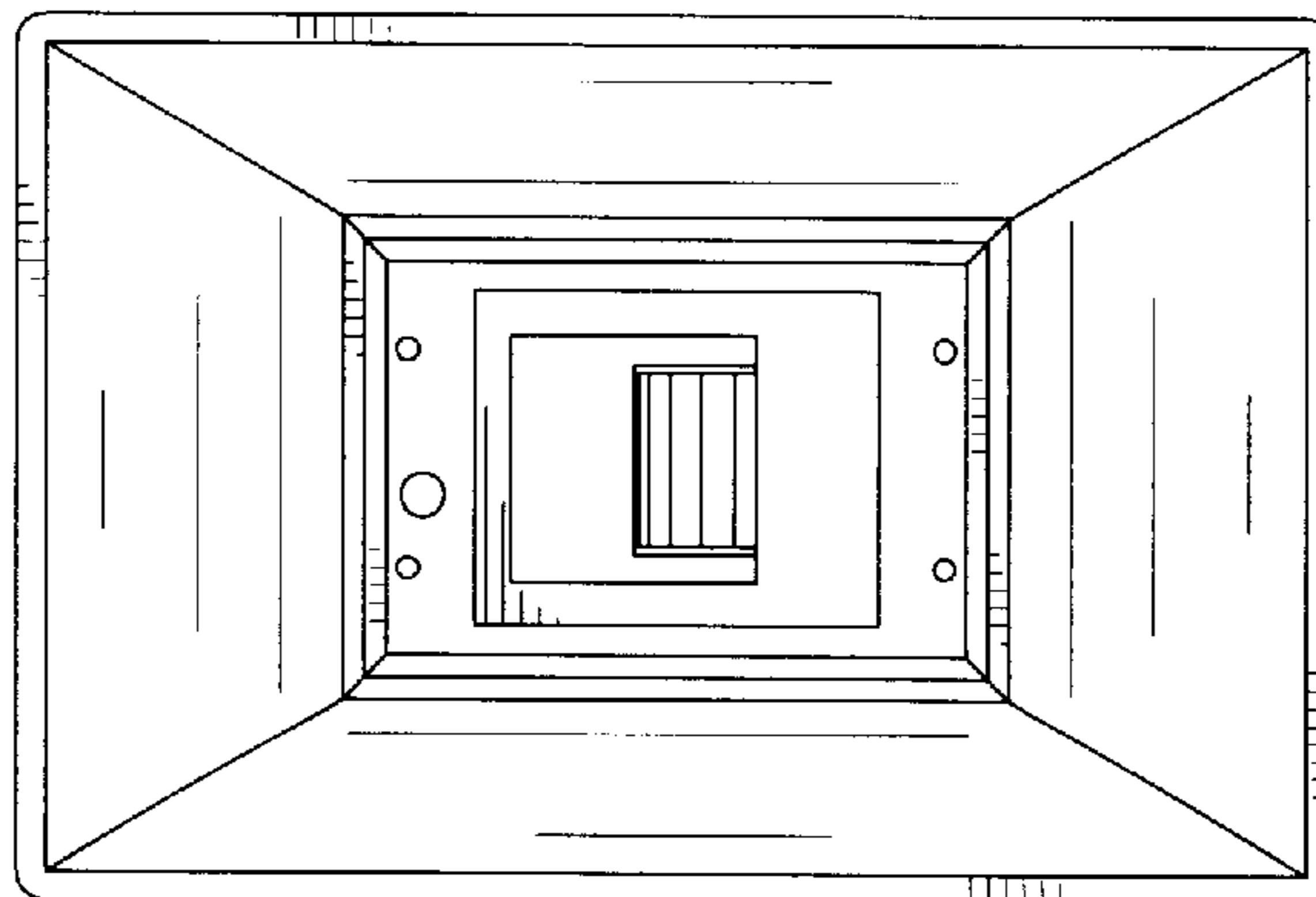
FIG. 8 is a left side elevational view of a second embodiment of a range hood, showing my new design, the right side being a mirror image of the left side;

FIG. 9 is a front elevational view of the embodiment of FIG. 8;

FIG. 10 is a top perspective view of the embodiment of FIG. 1; and,

FIG. 11 is a top perspective view of the embodiment of FIG. 8.

1 Claim, 6 Drawing Sheets



US D538,917 S

Page 2

U.S. PATENT DOCUMENTS

D196,287 S	9/1963	Brannan	5,711,091 A	1/1998	Bos
3,564,989 A	2/1971	Bernard	D390,648 S	2/1998	Woodall, III
3,690,245 A	9/1972	Ferlise et al.	D439,649 S	3/2001	Wylar et al.
D247,252 S	2/1978	Rosenberg	6,202,641 B1 *	3/2001	Lazzaro 126/299 D
D264,792 S	6/1982	Conti	6,216,686 B1	4/2001	Chiu
4,506,655 A	3/1985	Kuechler	D443,351 S	6/2001	Strand et al.
D280,339 S	8/1985	Harwell	6,276,358 B1 *	8/2001	Brin et al. 126/299 D
4,541,409 A *	9/1985	Karst et al. 126/299 D	D450,829 S	11/2001	Bothe et al.
D281,451 S	11/1985	Shames et al.	D452,557 S	12/2001	Tamura
D283,837 S	5/1986	Oster	D452,558 S	12/2001	Tamura
D286,563 S	11/1986	Kupferberg	D452,907 S *	1/2002	Tamura D23/372
D296,466 S	6/1988	Gratton	6,354,287 B1	3/2002	Kudoh
D315,204 S	3/1991	Fleming et al.	6,368,062 B1	4/2002	Yagami et al.
D318,111 S	7/1991	Galassi	D460,547 S	7/2002	Li
5,027,790 A	7/1991	Chern	D465,021 S	10/2002	Liou
5,069,197 A	12/1991	Wisting	D471,268 S	3/2003	Segers
D325,966 S	5/1992	Wei	D473,297 S	4/2003	Bothe et al.
D327,540 S	6/1992	Vogelzang	D475,131 S	5/2003	Pilger
D329,090 S	9/1992	Vogelzang	D482,769 S	11/2003	Bothe et al.
5,320,088 A	6/1994	Nester	D483,846 S	12/2003	Kudo
5,363,837 A	11/1994	Jang	D484,231 S	12/2003	Kudo
D375,351 S	11/1996	Conforti	D487,505 S	3/2004	Grobleben
D379,501 S	5/1997	Airosa et al.	D490,887 S	6/2004	Segers
D380,044 S	6/1997	Tobias	D493,880 S	8/2004	Achen
D380,823 S	7/1997	LaZar			

* cited by examiner

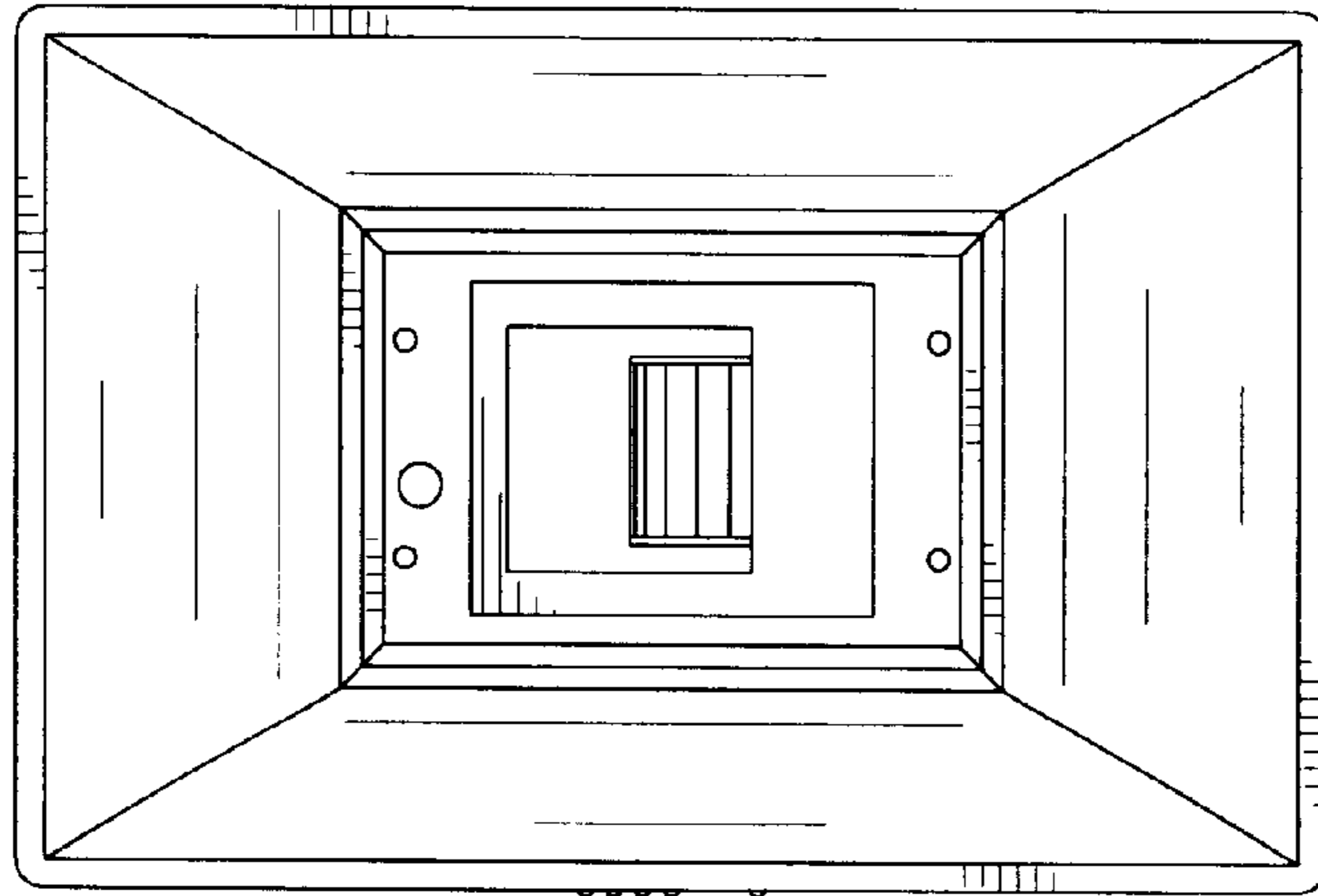


Fig. 1

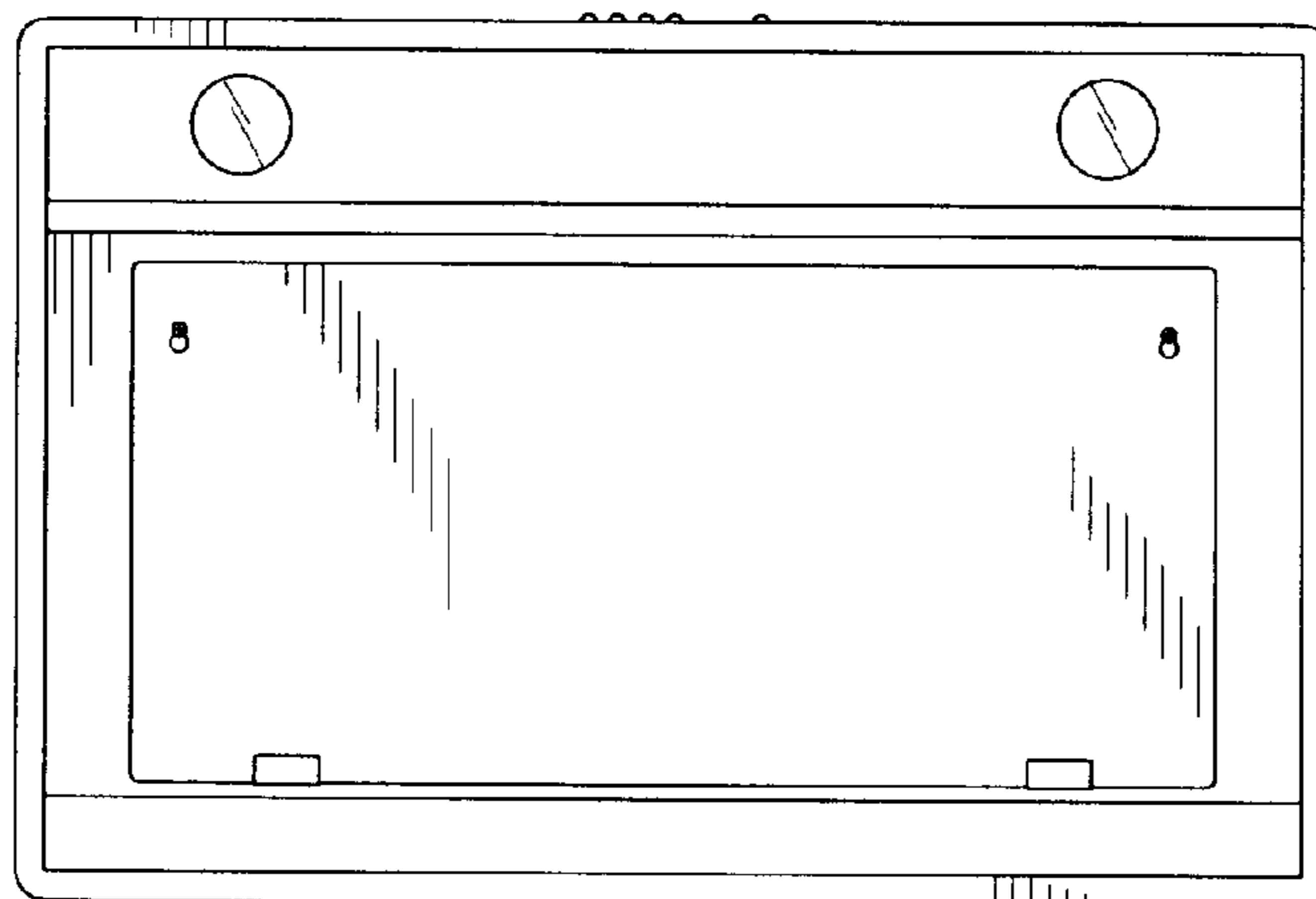


Fig. 2

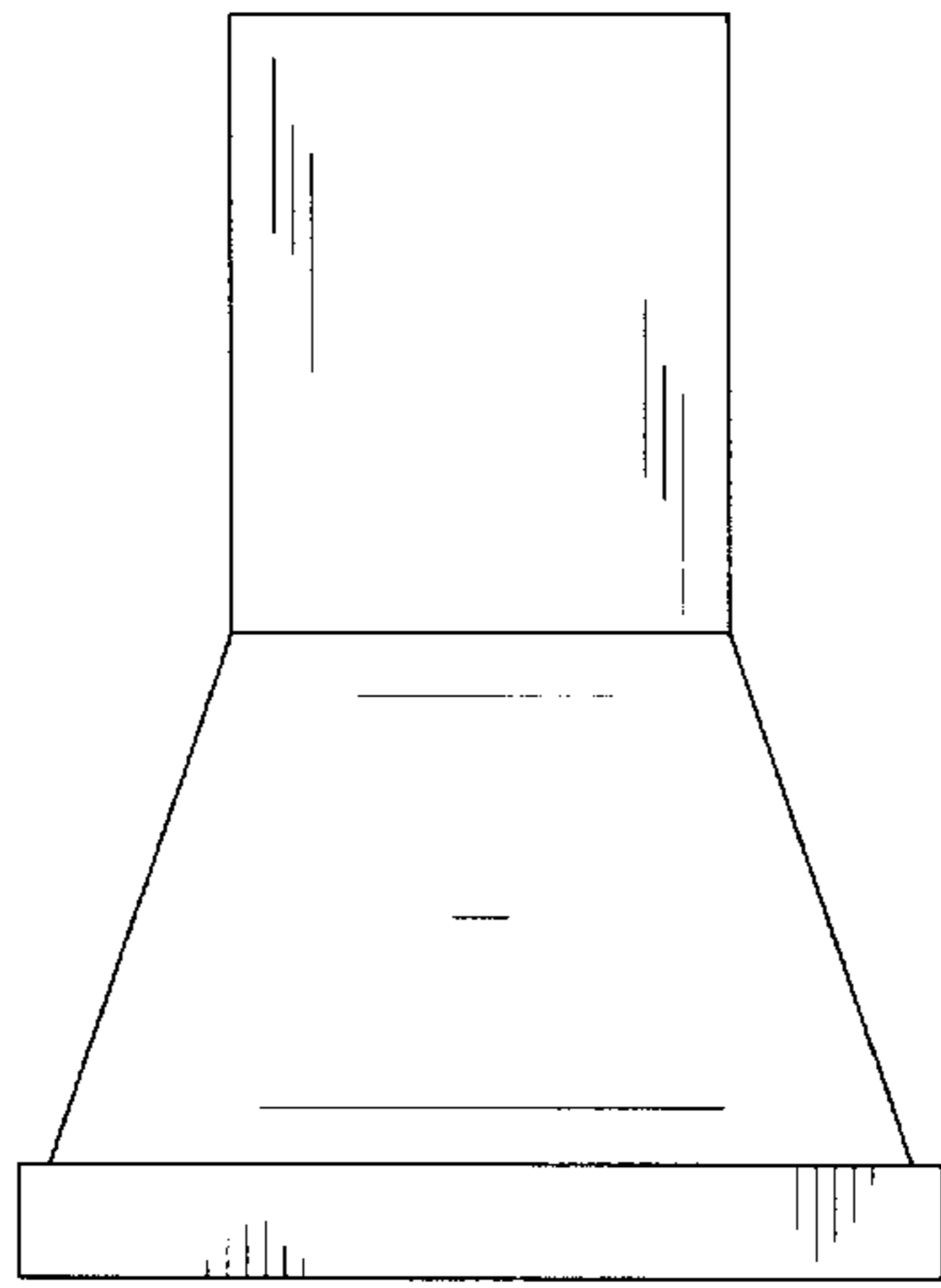


Fig. 3

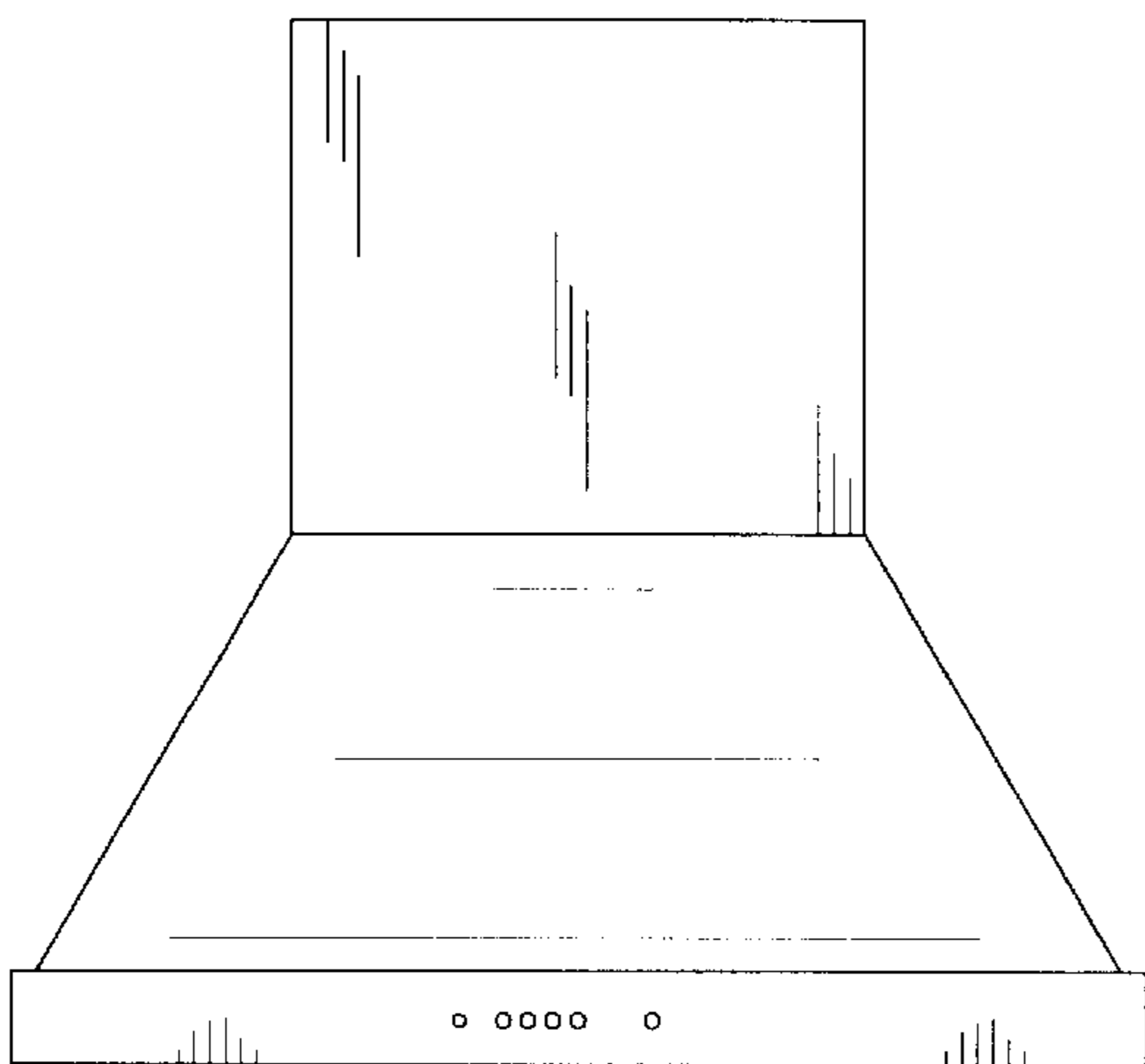


Fig. 4

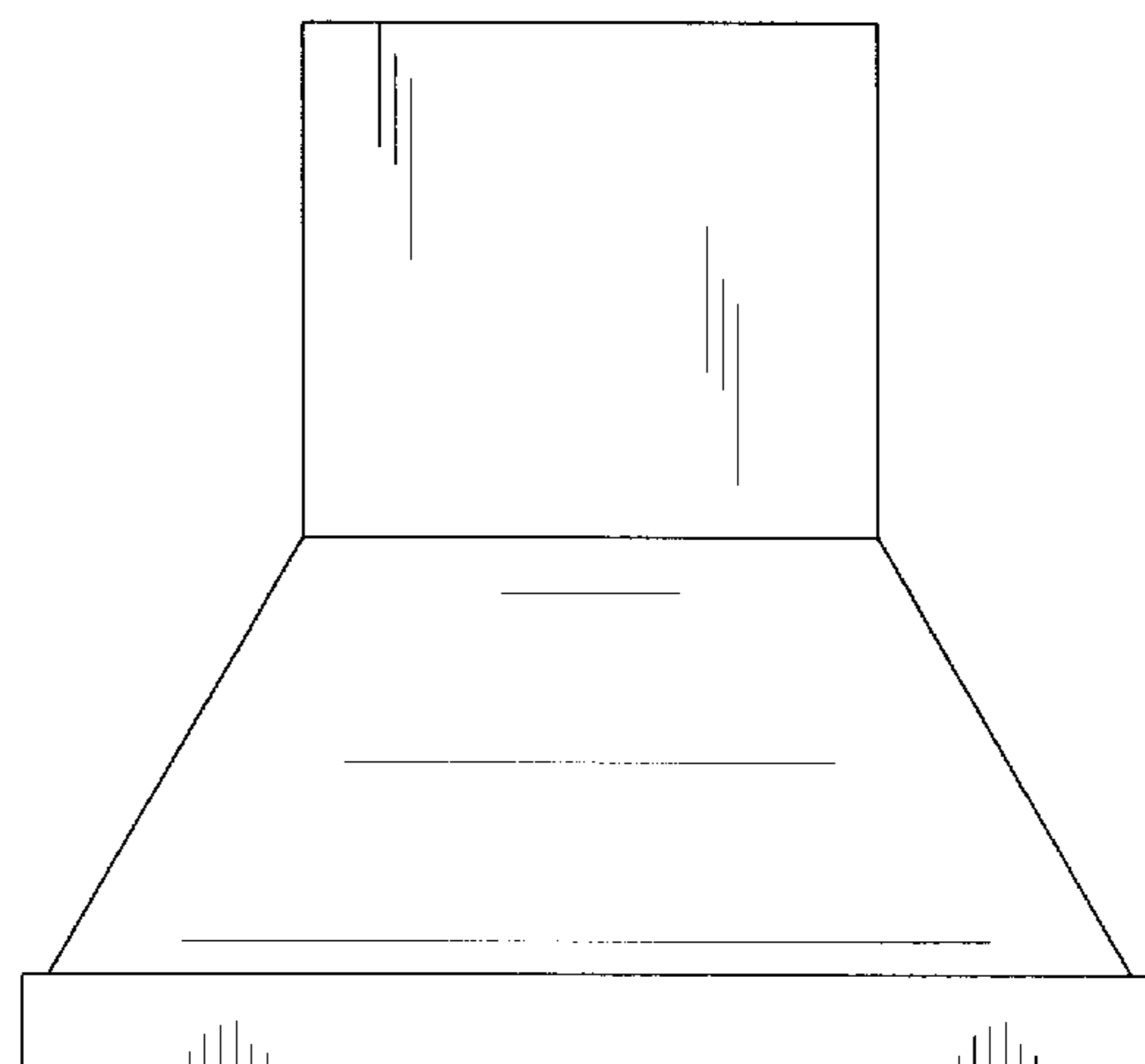


Fig. 5

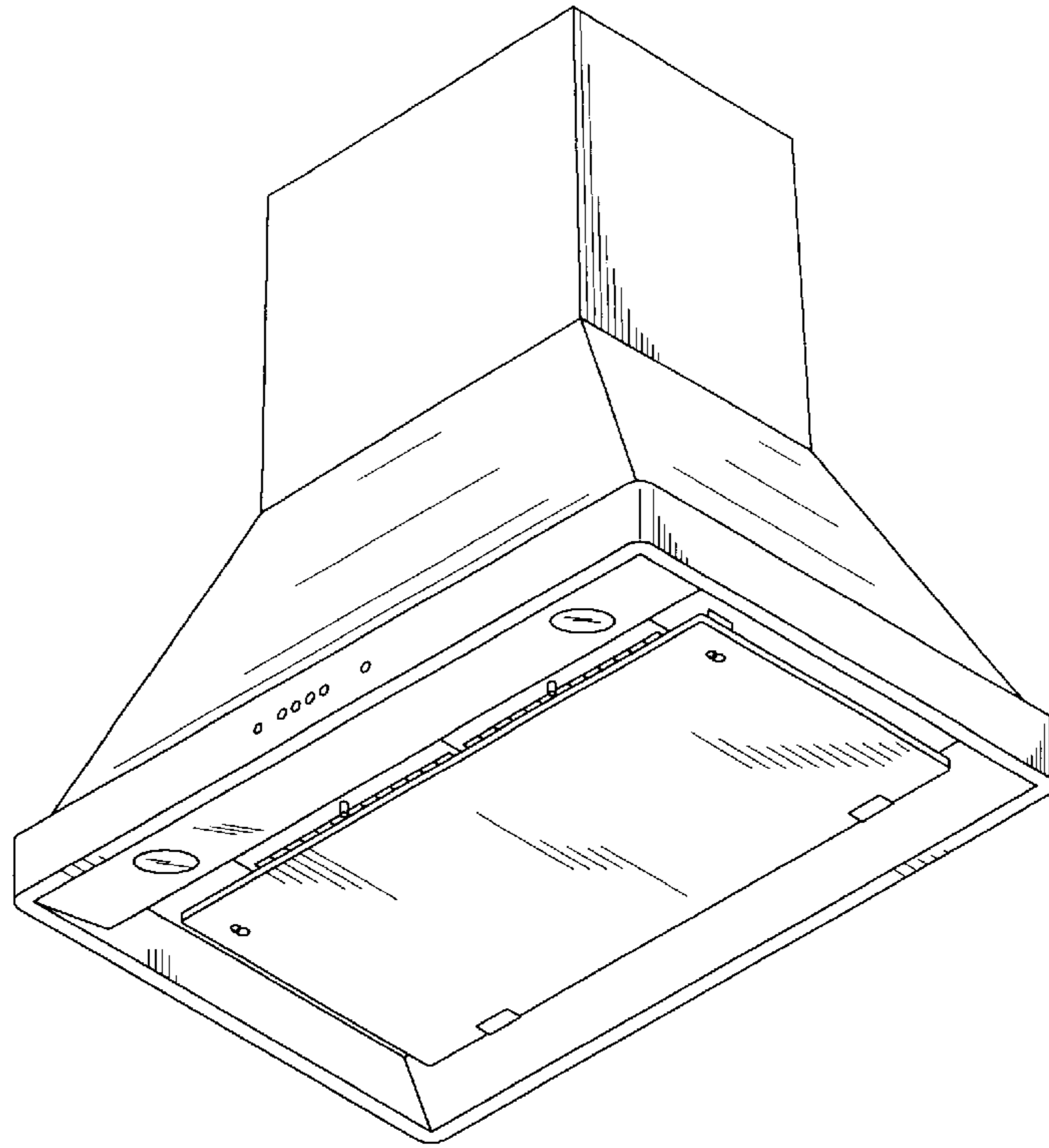


Fig. 6

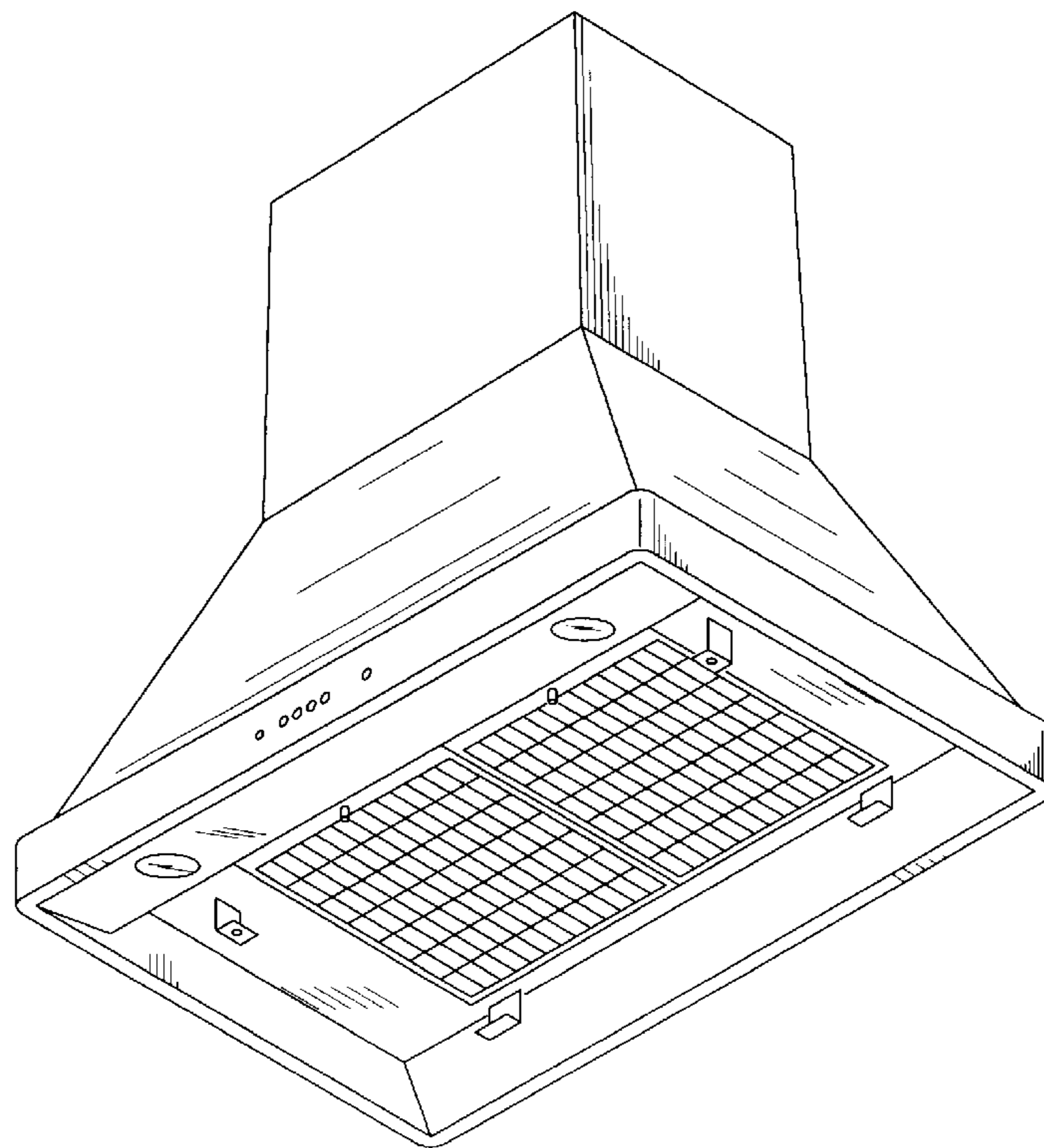


Fig. 7

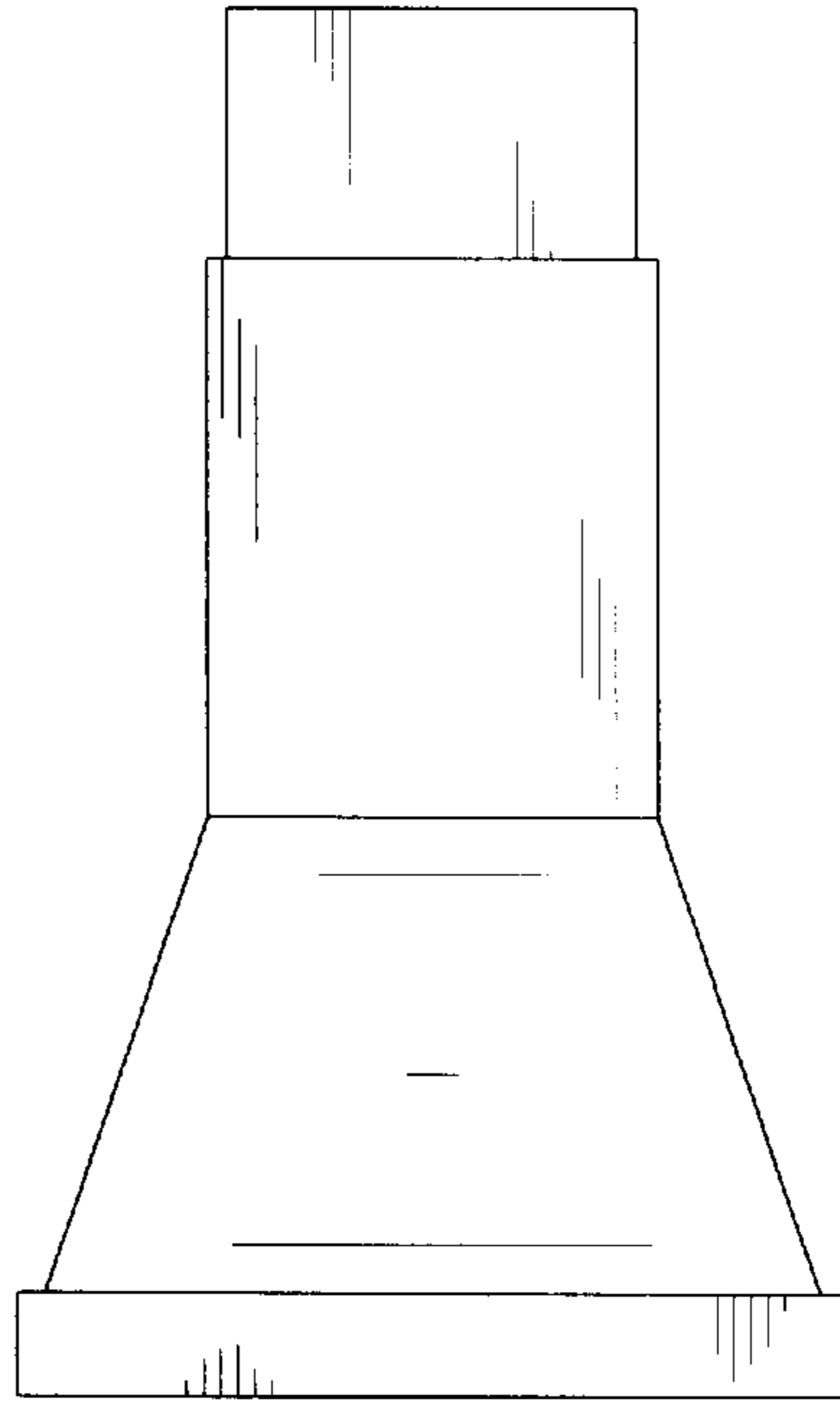


Fig. 8

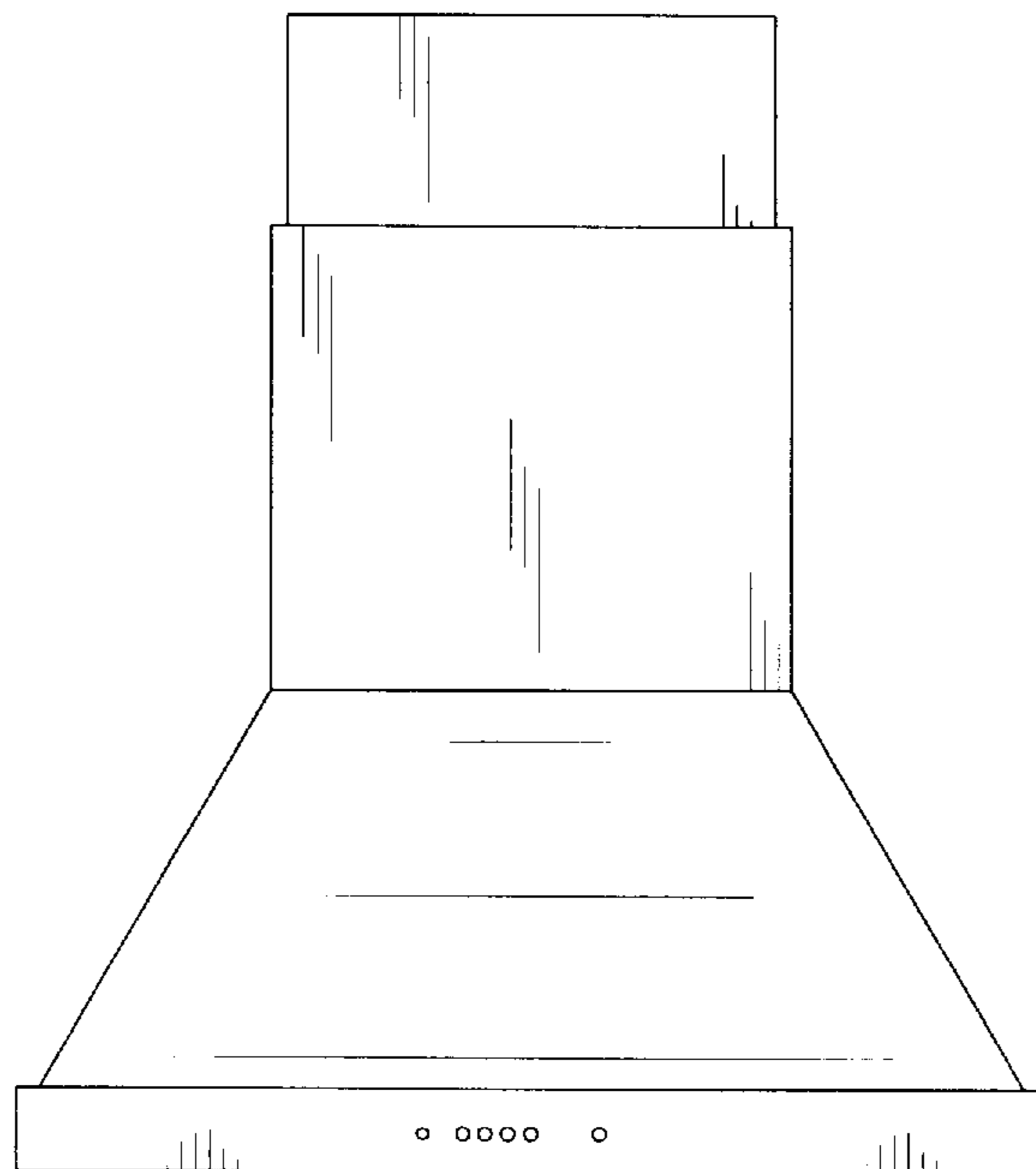


Fig. 9

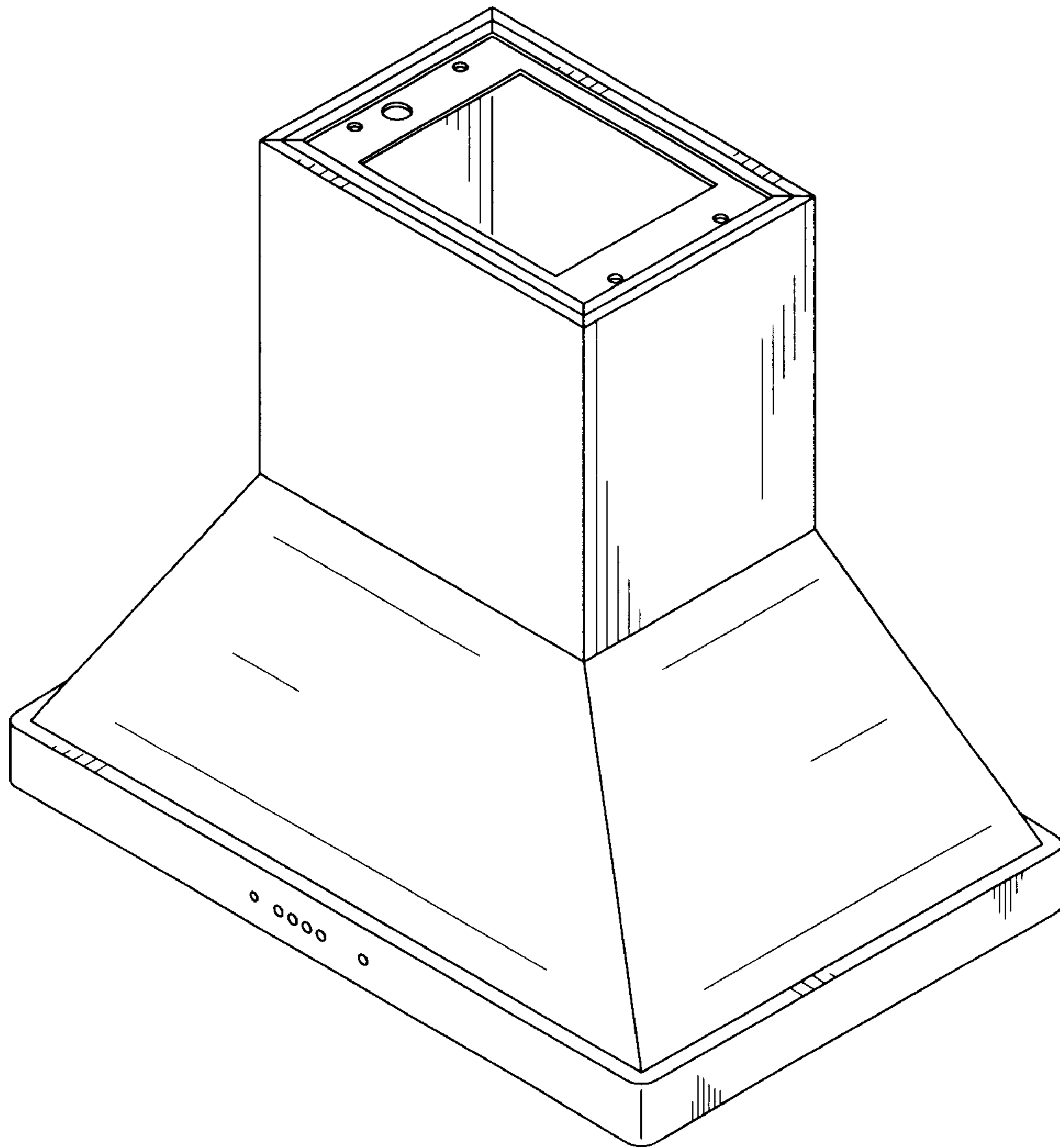


Fig. 10

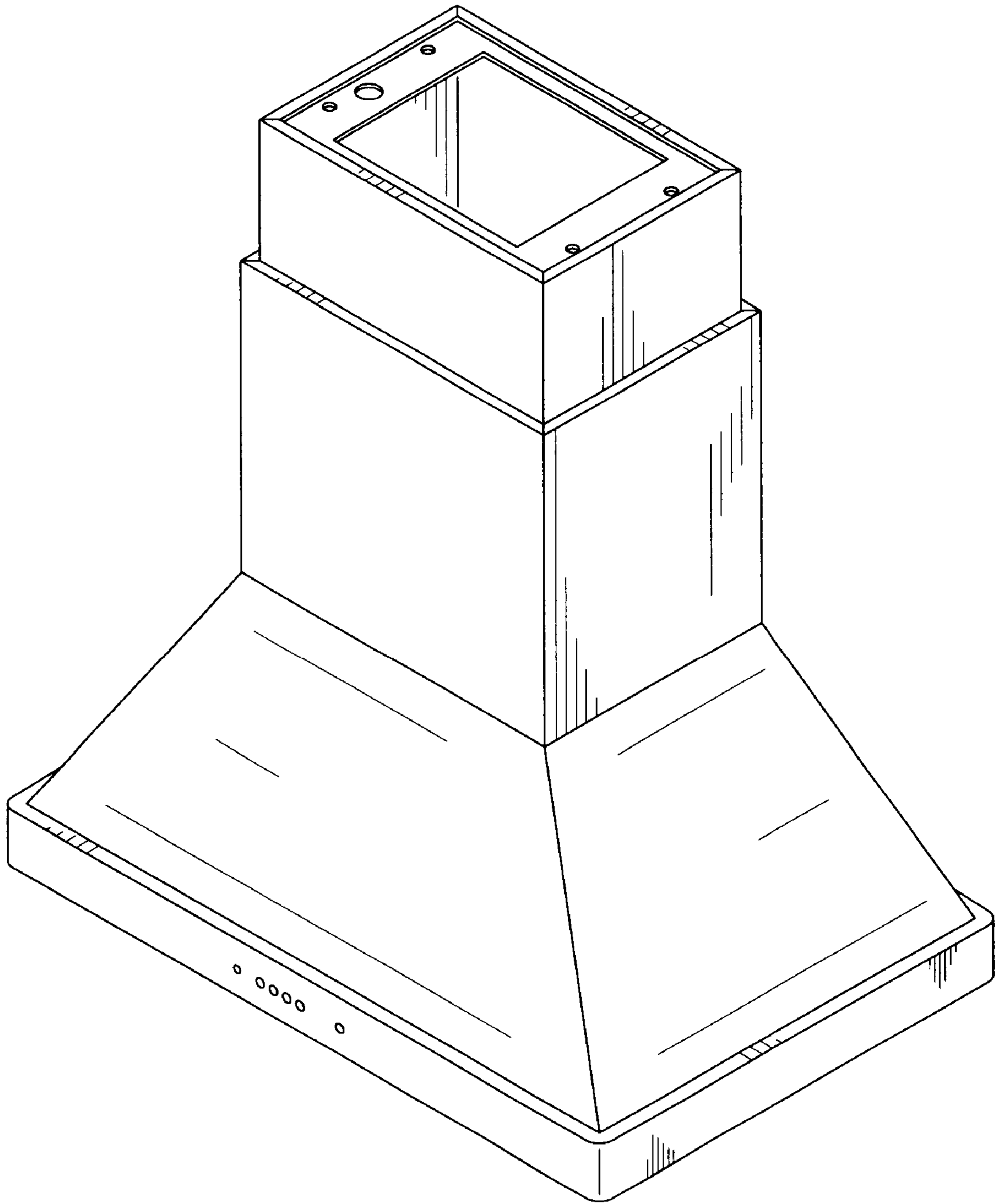


Fig. 11