



US00D538912S

(12) **United States Design Patent** (10) **Patent No.:** **US D538,912 S**  
**Kaplan** (45) **Date of Patent:** **\*\* Mar. 20, 2007**

(54) **AIR VENT-MOUNTED AIR FRESHENER ASSEMBLY**

(75) Inventor: **Nason E. Kaplan**, Sharon, MA (US)

(73) Assignee: **K&K Automotive, Inc.**, Sharon, MA (US)

(\*\*) Term: **14 Years**

(21) Appl. No.: **29/237,455**

(22) Filed: **Aug. 31, 2005**

(51) **LOC (8) Cl.** ..... **28-99**

(52) **U.S. Cl.** ..... **D23/366**

(58) **Field of Classification Search** ..... 392/386,  
392/390-394, 398, 401, 403, 405-406; 239/135-136,  
239/34, 35, 56-58, 37, 41, 42, 60; 261/DIG. 17,  
261/DIG. 65, DIG. 88, DIG. 89; D23/355-369;  
D12/197

See application file for complete search history.

(56) **References Cited**

**U.S. PATENT DOCUMENTS**

4,391,781	A	*	7/1983	van Lit	.....	422/125
4,549,250	A	*	10/1985	Spector	.....	362/96
5,136,684	A	*	8/1992	Lonker et al.	.....	392/392
5,407,642	A	*	4/1995	Lord	.....	422/122
5,527,493	A	*	6/1996	McElfresh et al.	.....	261/30
5,603,455	A	*	2/1997	Lin	.....	239/44
D385,344	S	*	10/1997	Green	.....	D23/367
D398,976	S	*	9/1998	Green	.....	D23/367
D400,662	S	*	11/1998	Davis	.....	D23/366
5,865,372	A	*	2/1999	Ceresko	.....	239/60
D411,002	S	*	6/1999	Farmer	.....	D23/366
D419,659	S	*	1/2000	Yang	.....	D23/366
D422,350	S	*	4/2000	Wu	.....	D23/367
6,103,201	A	*	8/2000	Green	.....	422/124
6,161,820	A	*	12/2000	Wu	.....	261/104
D485,340	S	*	1/2004	Wu	.....	D23/366
D485,341	S	*	1/2004	Wu	.....	D23/366
6,775,470	B2	*	8/2004	Zobebe et al.	.....	392/390
D519,622	S	*	4/2006	Cocchi	.....	D23/366
2005/0127538	A1	*	6/2005	Fabrega et al.	.....	261/104

**OTHER PUBLICATIONS**

H Honda trademark #3108842, registered Jun. 27, 2006, 2 pgs.\*

H Honda trademark #3062854, registered Feb. 28, 2006, 2 pgs.\*

H Honda trademark #3020908, registered Oct. 29, 2005, 2 pgs.\*

H Music Link trademark, prior registration #s 3020908 and 3020910, 2 pgs.\*

\* cited by examiner

*Primary Examiner*—Sandra Snapp

(74) *Attorney, Agent, or Firm*—Burns & Levinson LLP; Jerry Cohen; Merlo M. Schepper

(57) **CLAIM**

The ornamental design for an air vent-mounted air freshener assembly, as shown and described.

**DESCRIPTION**

FIG. 1 is a front perspective view of the air vent-mounted air freshener assembly;

FIG. 2 is a rear perspective view of the air vent-mounted air freshener assembly;

FIG. 3 is a front view of the air vent-mounted air freshener assembly;

FIG. 4 is a rear view of the air vent-mounted air freshener assembly;

FIG. 5 is a right side view of the air vent-mounted air freshener assembly;

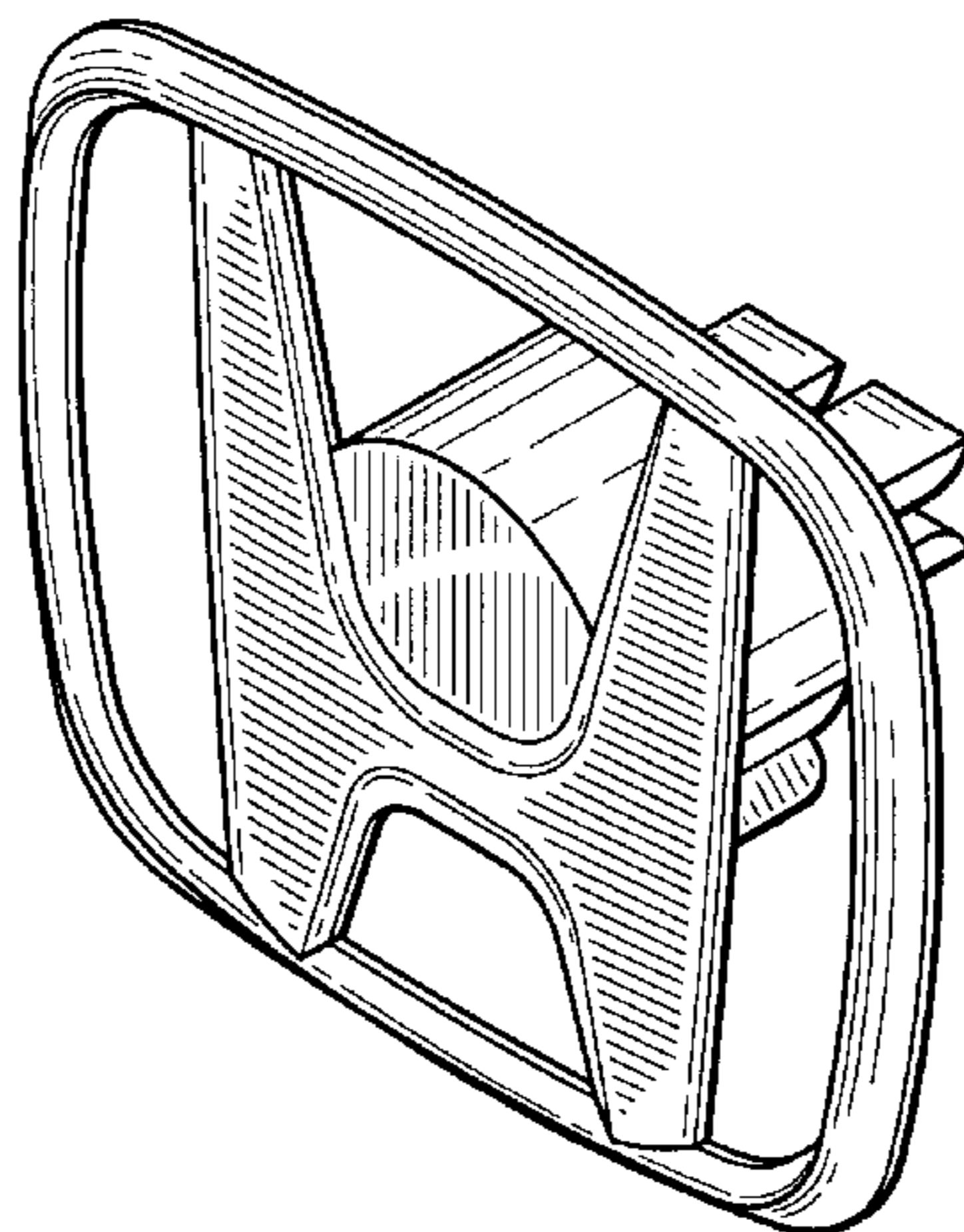
FIG. 6 is a left side view of the air vent-mounted air freshener assembly;

FIG. 7 is a top view of the air vent-mounted air freshener assembly; and,

FIG. 8 is a bottom view of the air vent-mounted air freshener assembly.

Honda® and the Honda “H” logo ® are trademarks and intellectual property of Honda Motor Co., Ltd. used under license from American Honda Motor Co., Inc. All rights reserved.

**1 Claim, 2 Drawing Sheets**



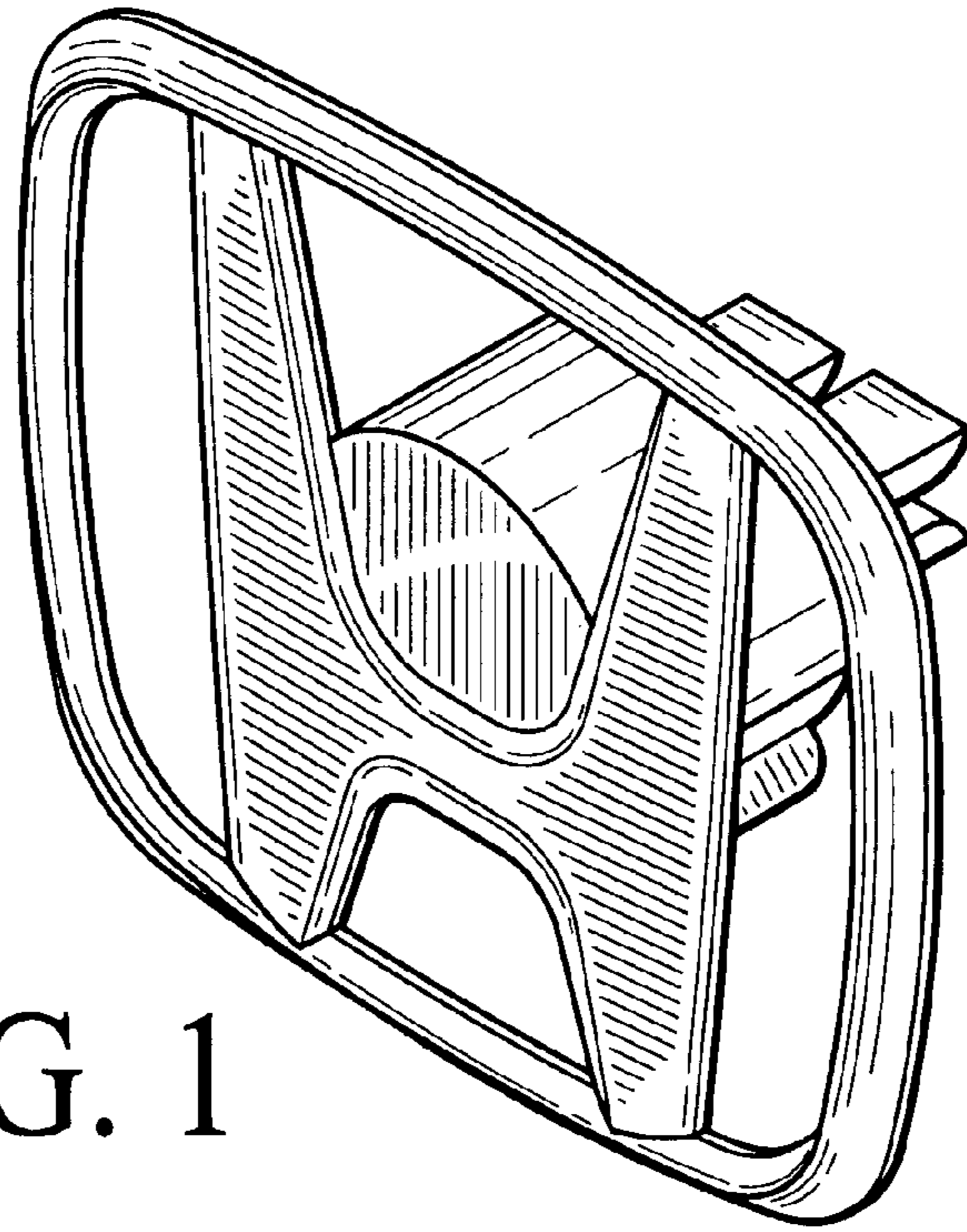


FIG. 1

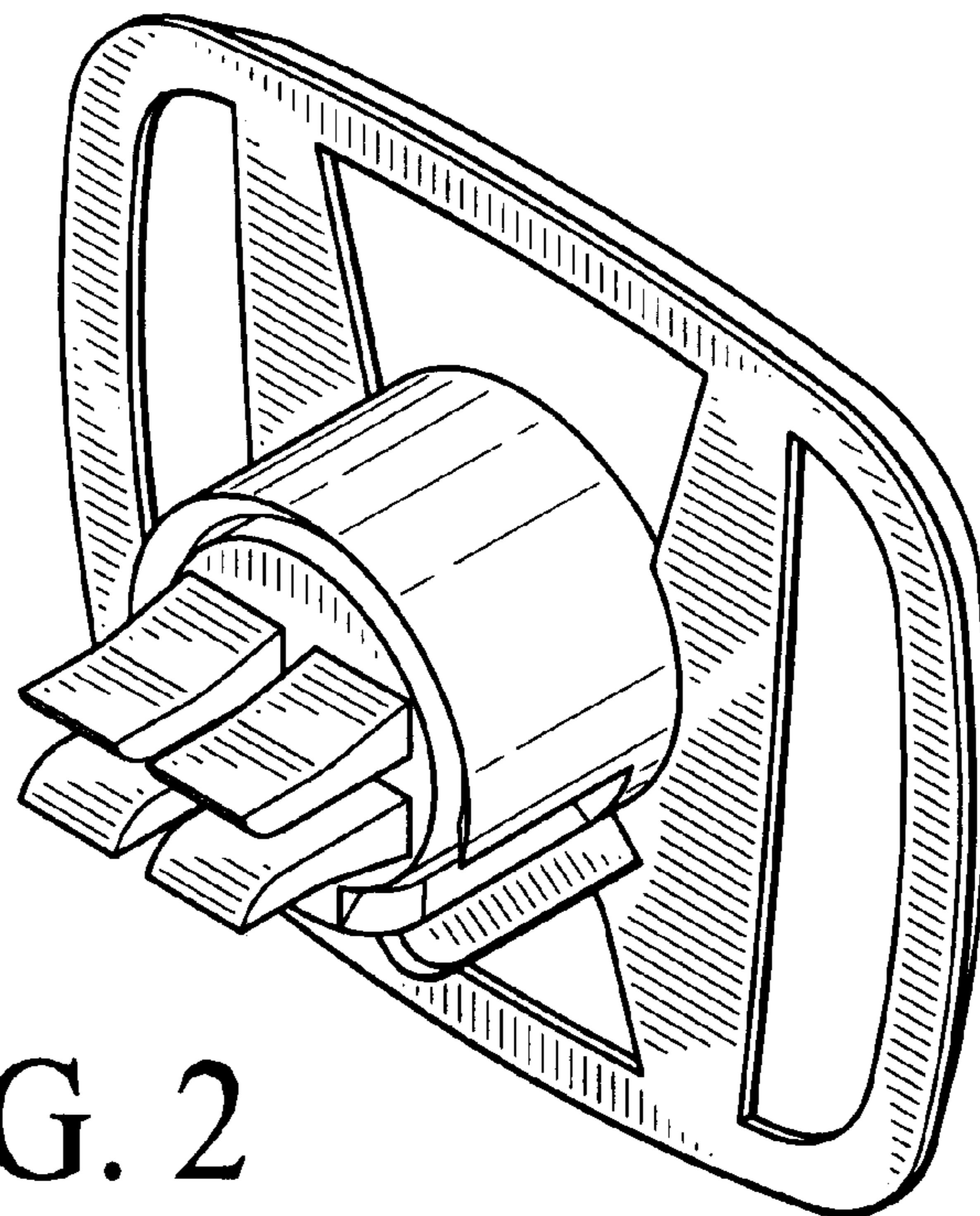


FIG. 2

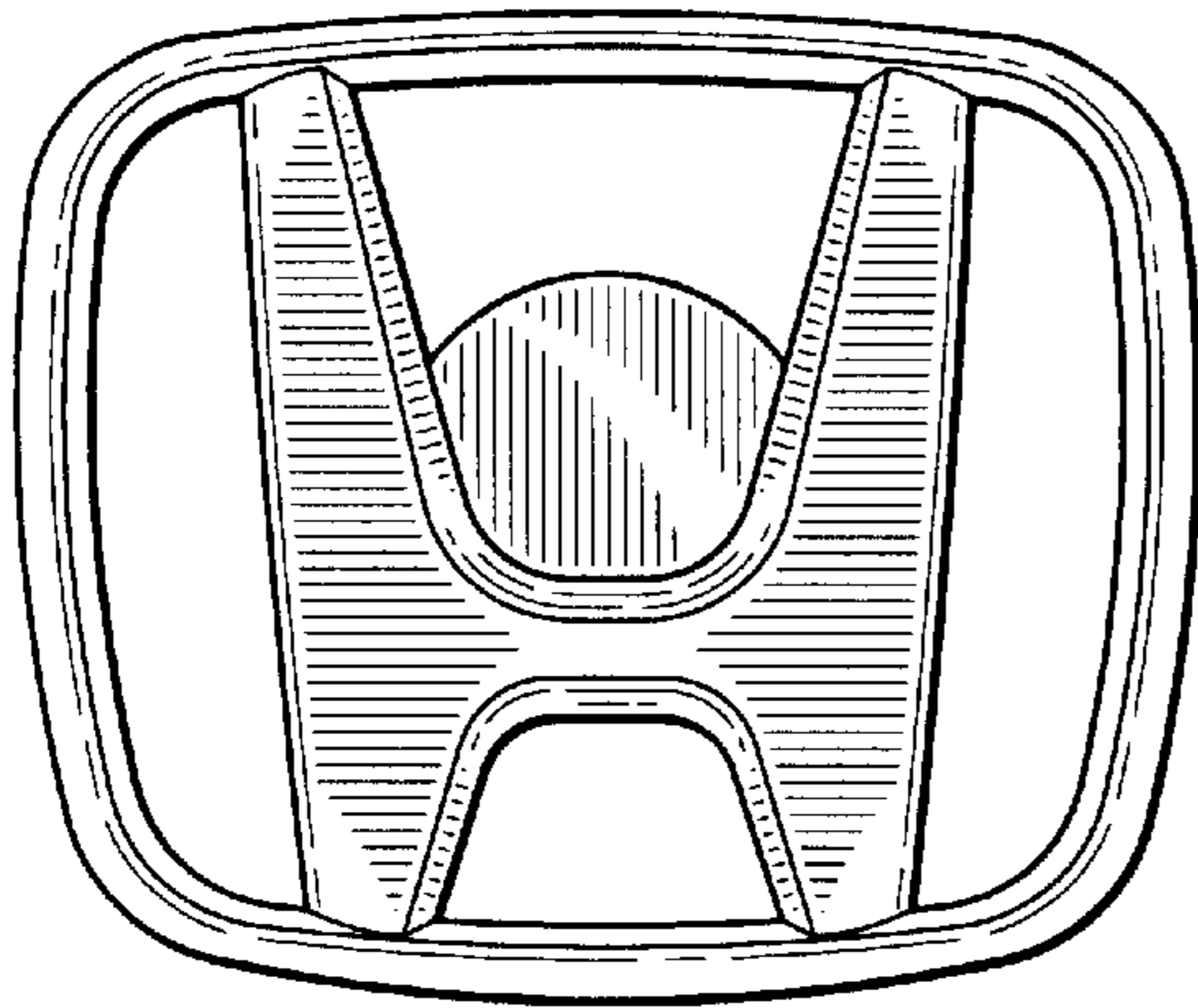


FIG. 3

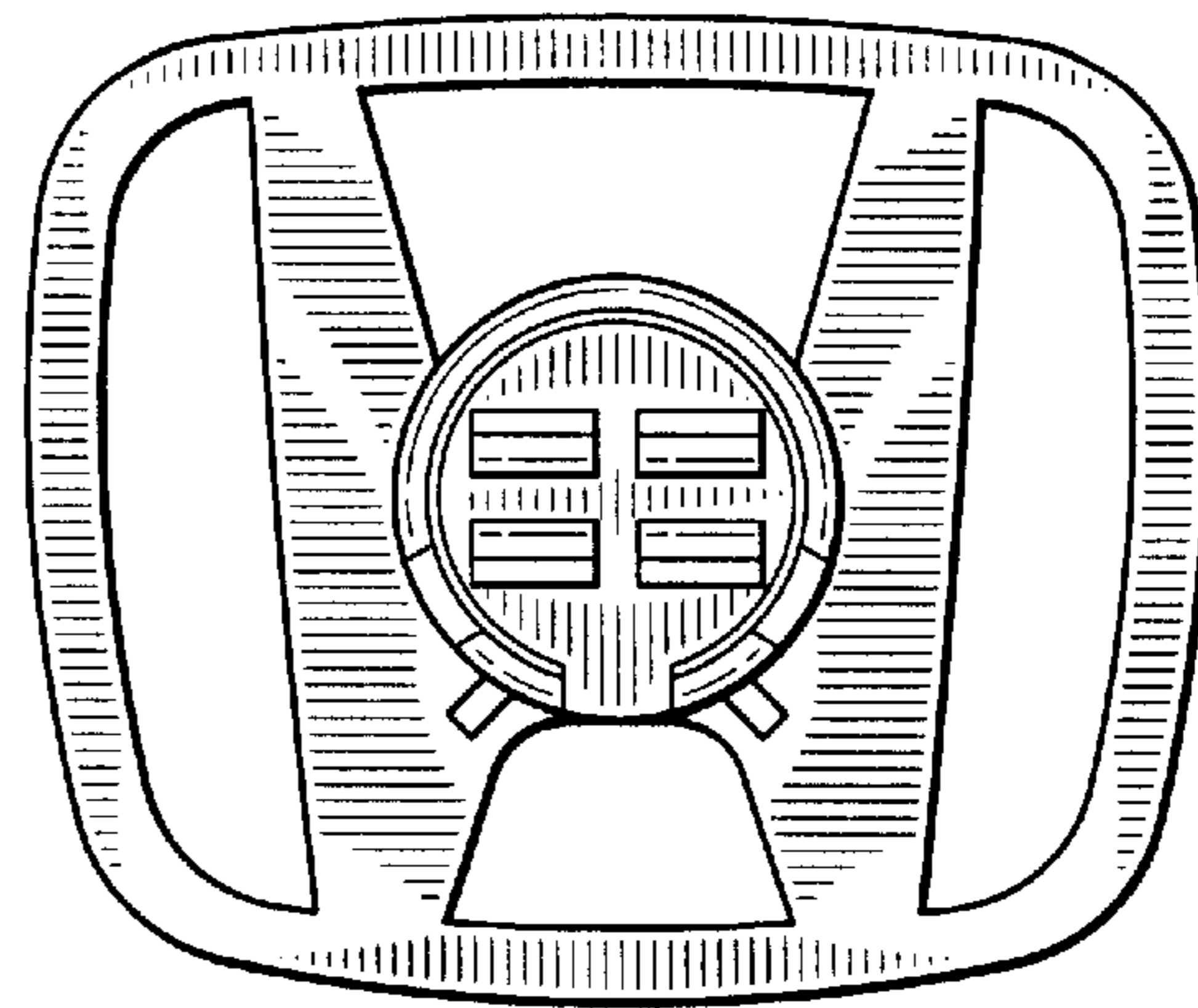


FIG. 4

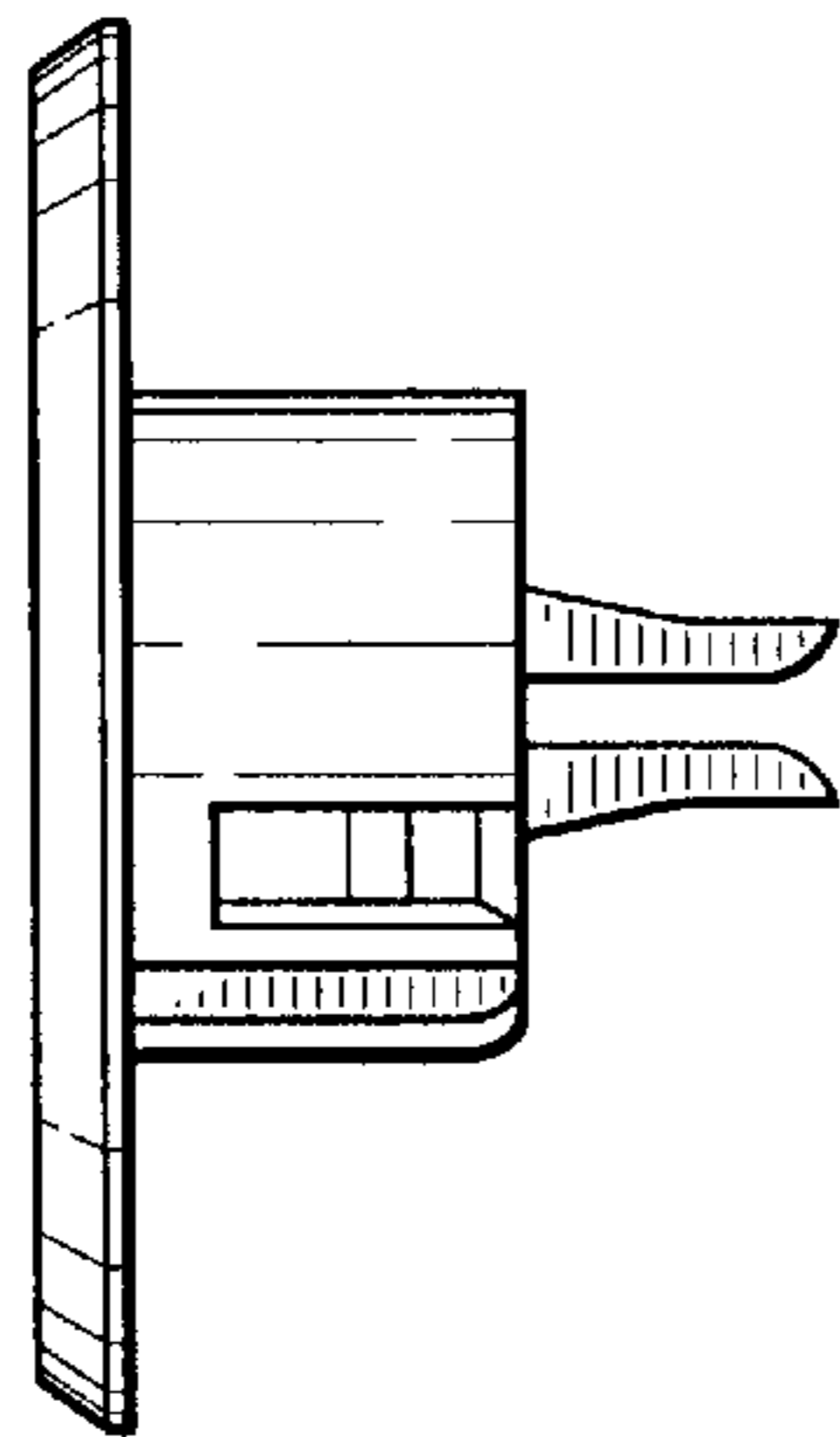


FIG. 5

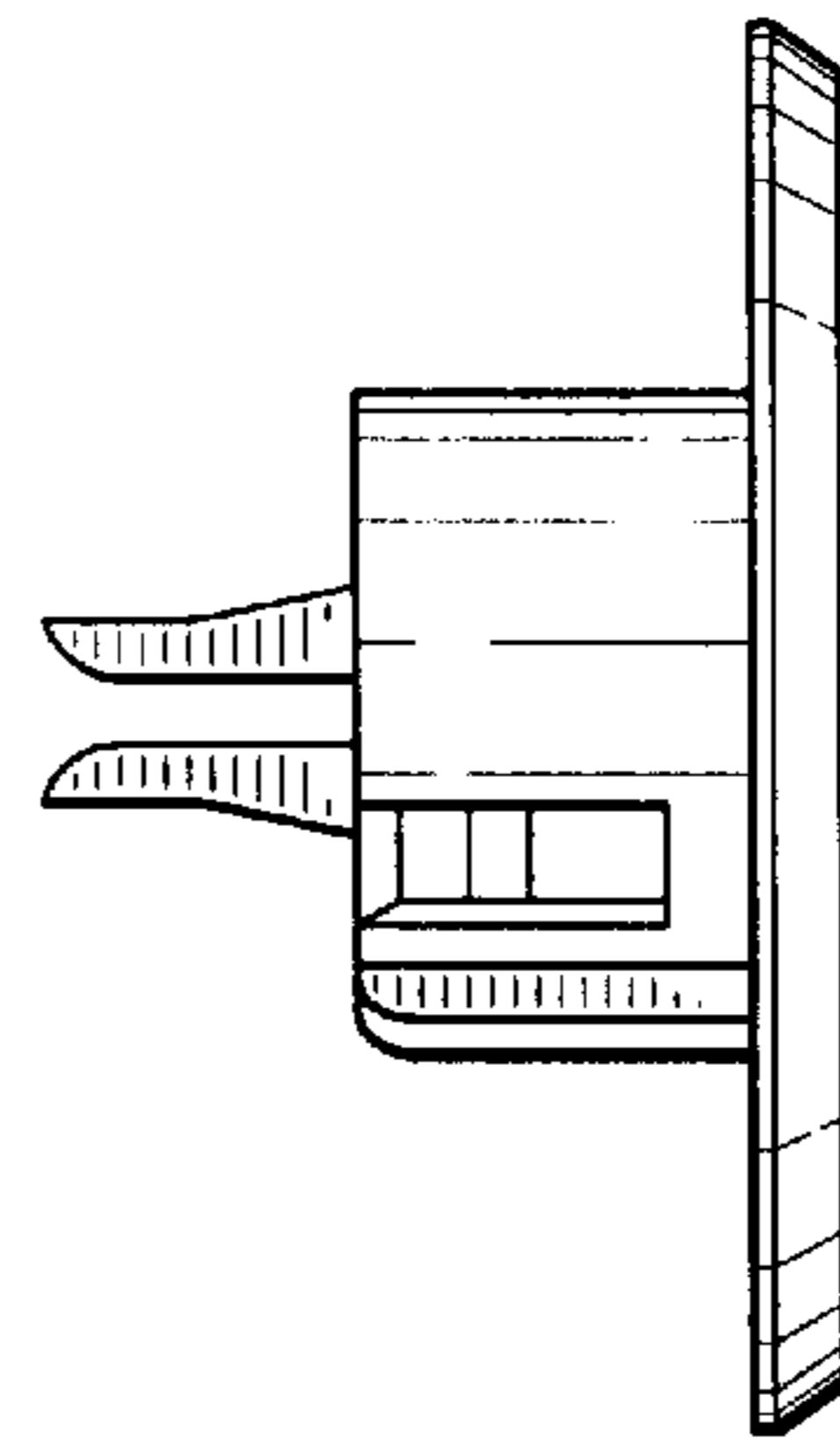


FIG. 6

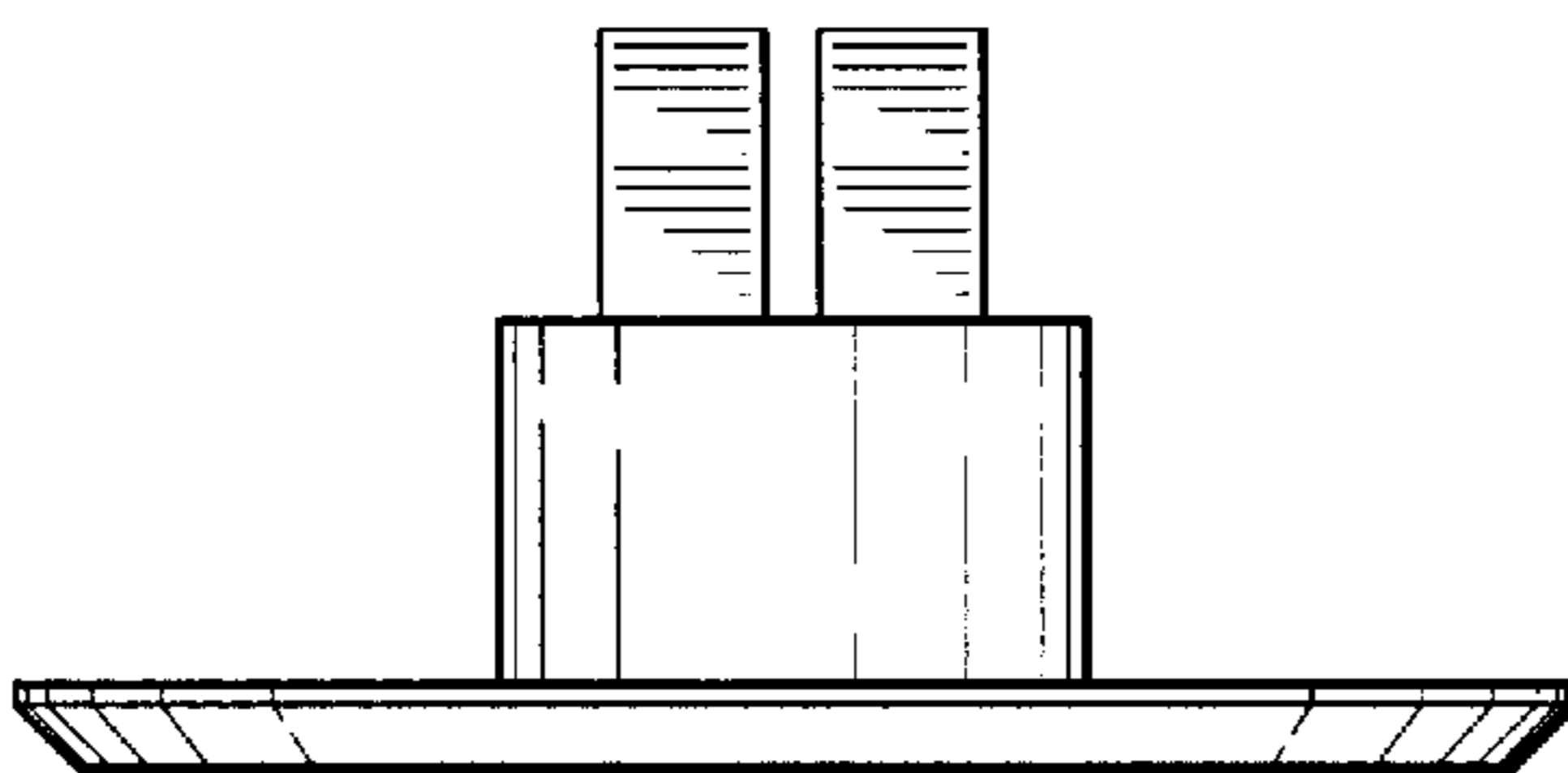


FIG. 7

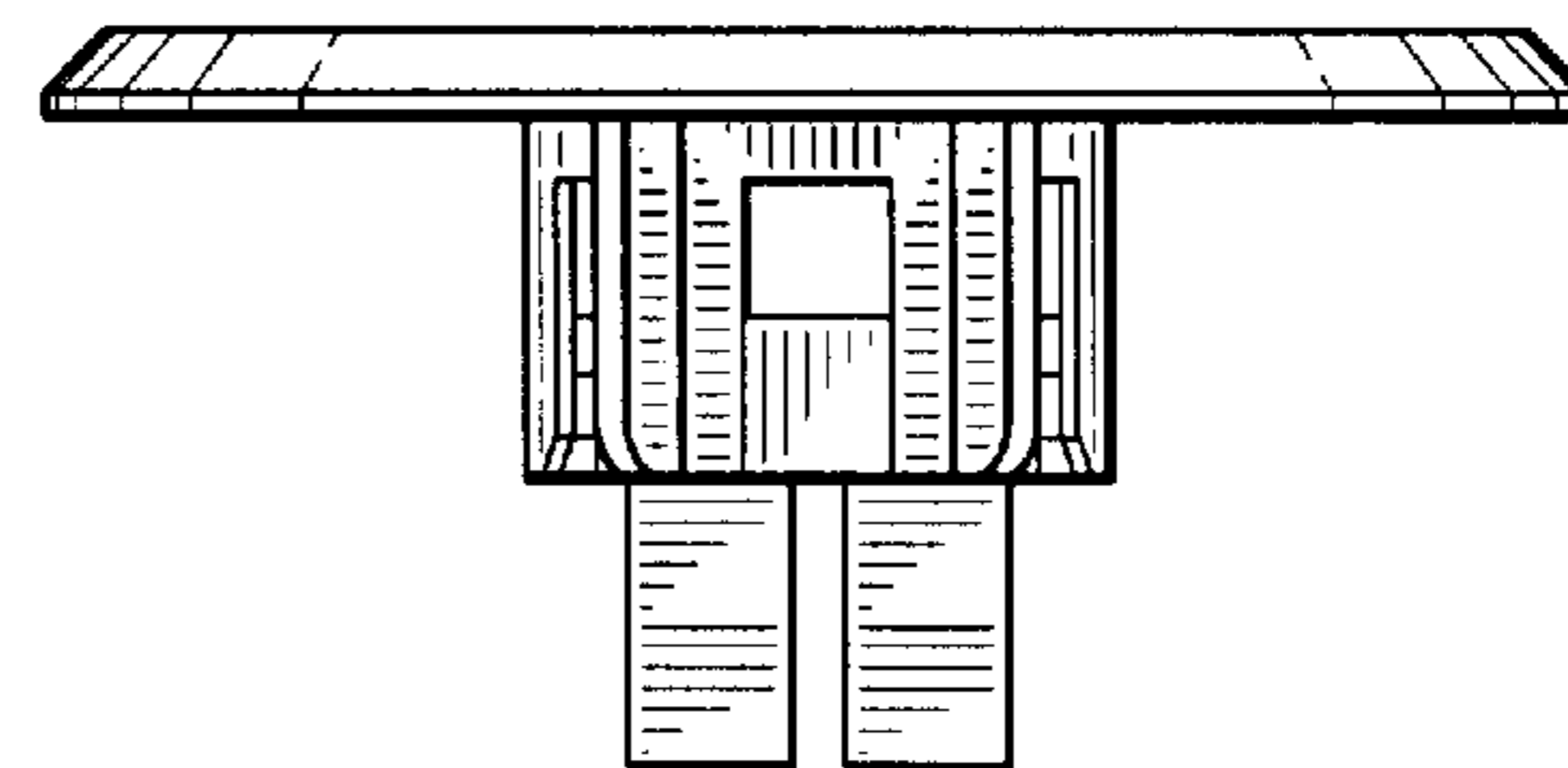


FIG. 8