



US00D538909S

(12) **United States Design Patent**
Blateri

(10) **Patent No.:** **US D538,909 S**

(45) **Date of Patent:** **** Mar. 20, 2007**

- (54) **HEATER FAN**
- (75) Inventor: **Frank Blateri**, Coppell, TX (US)
- (73) Assignee: **Diani, LLC.**, Dallas, TX (US)
- (**) Term: **14 Years**
- (21) Appl. No.: **29/201,189**
- (22) Filed: **Mar. 11, 2004**
- (51) **LOC (8) Cl.** **23-03**
- (52) **U.S. Cl.** **D23/335**
- (58) **Field of Classification Search** D23/332,
D23/314, 335-338, 340-345, 349-350; 392/360,
392/365-369, 373-376; 312/326; 126/110 B,
126/90 A, 92 A
See application file for complete search history.

- D422,073 S 3/2000 Lozzio et al.
- D423,663 S 4/2000 Rossman et al.
- D424,683 S 5/2000 Bellil et al.
- D427,674 S 7/2000 Moreno
- D429,808 S 8/2000 Krauss
- D433,497 S 11/2000 Hotaling et al.
- D440,648 S 4/2001 Lee et al.
- D441,065 S 4/2001 Ediger et al.
- D444,871 S 7/2001 Wilson, Jr.
- D447,552 S 9/2001 Lee et al.
- D448,461 S 9/2001 Toro
- 6,285,829 B1 9/2001 Smith
- D451,594 S 12/2001 Chen et al.
- D451,595 S 12/2001 Chen et al.
- D454,392 S 3/2002 Shapiro
- D456,066 S 4/2002 Ching
- D459,454 S 6/2002 Shapiro
- D460,816 S 7/2002 Mavridis et al.
- D464,413 S * 10/2002 Shapiro et al. D23/335
- D466,599 S 12/2002 Bragg et al.
- D468,818 S 1/2003 Chuang et al.
- D499,474 S * 12/2004 Ching D23/335
- D514,674 S * 2/2006 Blateri D23/335

(56) **References Cited**

U.S. PATENT DOCUMENTS

- D151,015 S 9/1948 Stiles
- 4,703,152 A 10/1987 Shih-Chin
- D309,182 S 7/1990 Hsu
- D323,708 S 2/1992 Wang
- D329,089 S 9/1992 Coup et al.
- D343,676 S 1/1994 Lim
- D344,527 S 2/1994 Drago et al.
- D349,570 S 8/1994 Radtke, Jr.
- D359,344 S 6/1995 De'Longhi
- D395,080 S 6/1998 Jane et al.
- D395,490 S 6/1998 Jane' et al.
- D396,527 S 7/1998 Boyle et al.
- D398,983 S 9/1998 Keller et al.
- D402,742 S 12/1998 Chen
- D402,749 S * 12/1998 Jane et al. D23/335
- D405,520 S 2/1999 Birdsell
- D408,907 S 4/1999 Moreno
- D421,114 S 2/2000 Lozzio et al.
- D421,646 S 3/2000 Palma et al.

* cited by examiner

Primary Examiner—Brian N Vinson

(74) *Attorney, Agent, or Firm*—Haynes and Booth, LLP

(57) **CLAIM**

The ornamental design for a heater fan, as shown and described.

DESCRIPTION

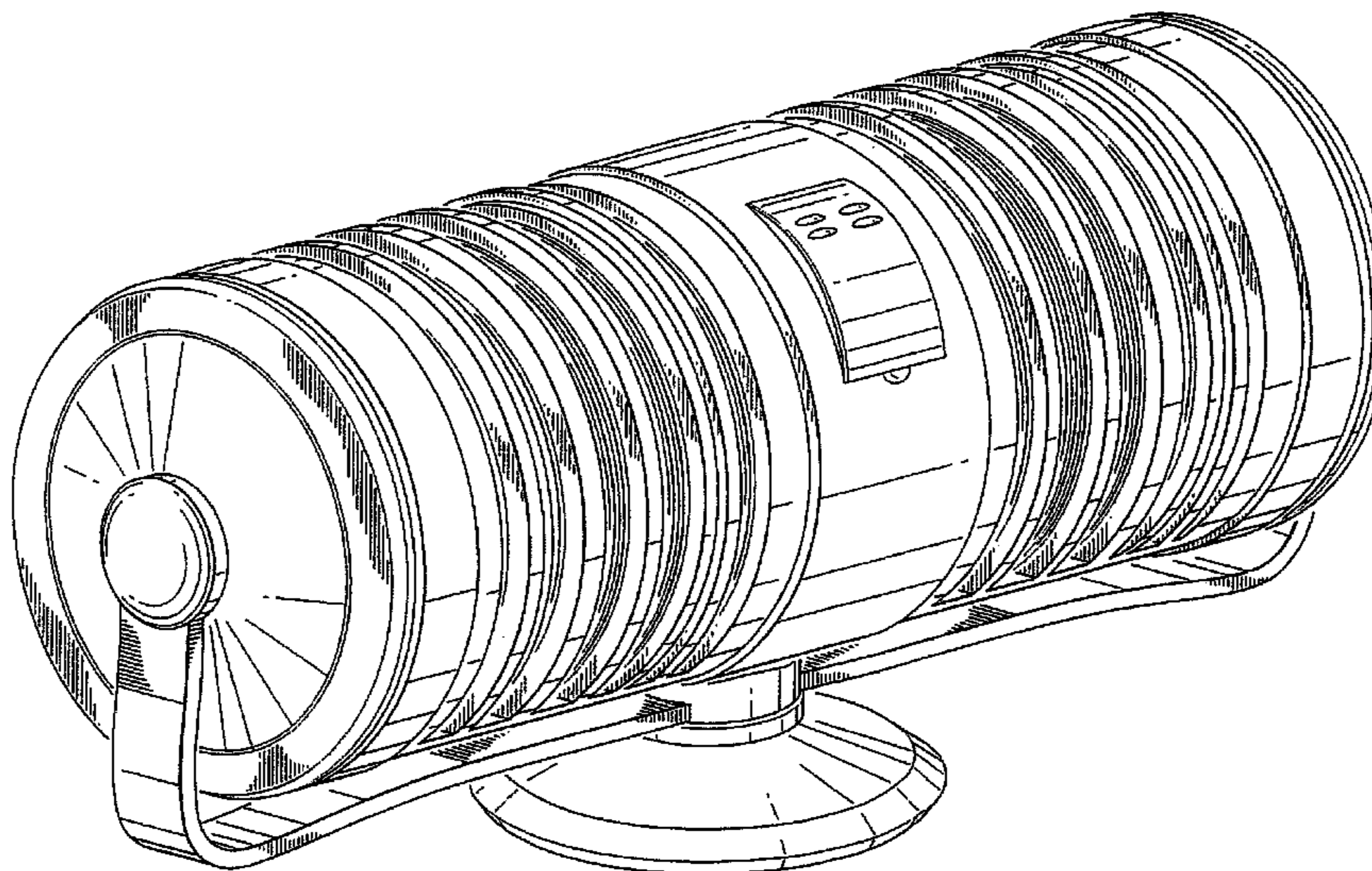
FIG. 1 is an isometric view of the heater fan showing my new design;

FIG. 2 is a front elevational view thereof;

FIG. 3 is a rear elevational view thereof; and,

FIG. 4 is a side elevational view thereof.

1 Claim, 4 Drawing Sheets



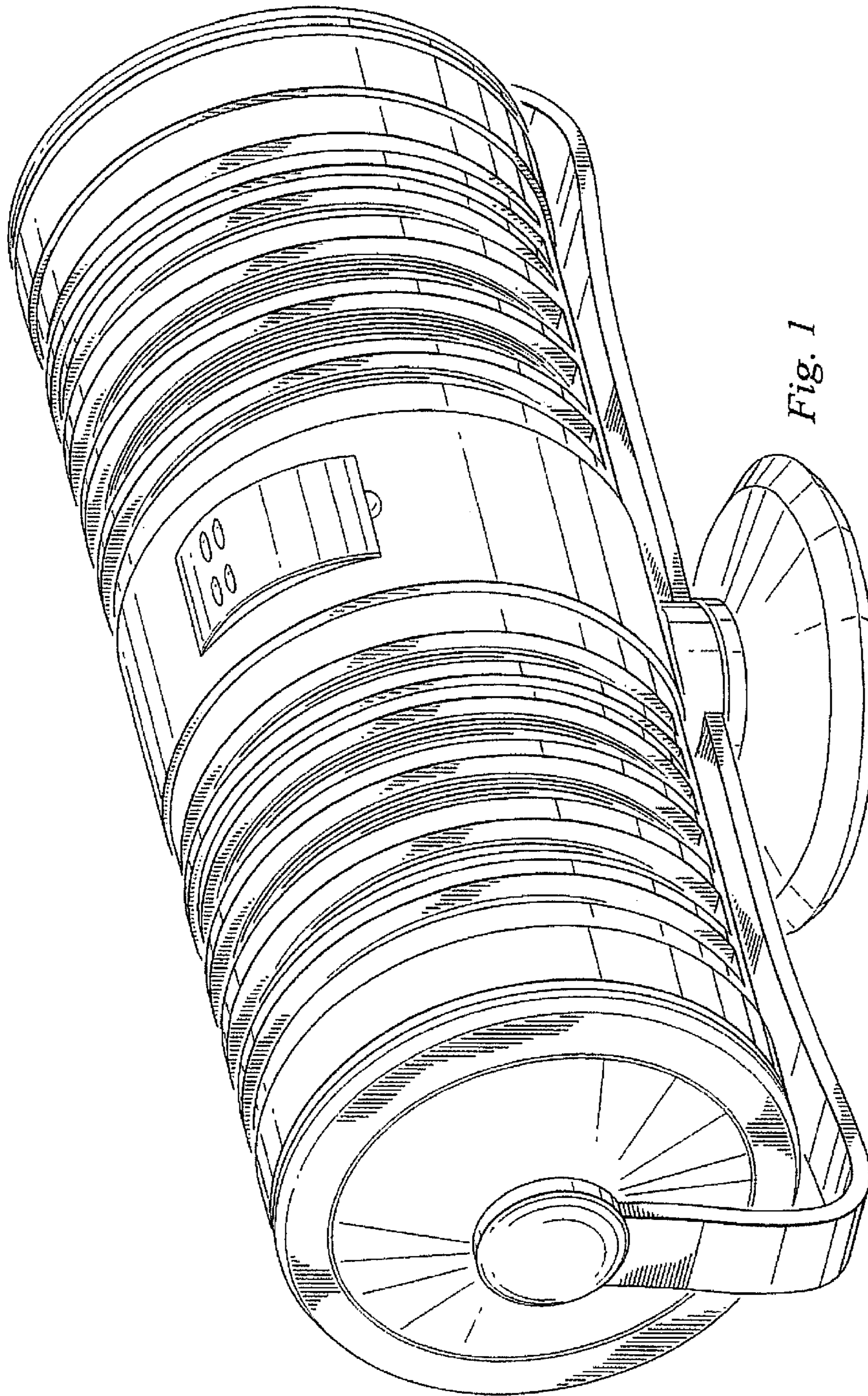


Fig. 1

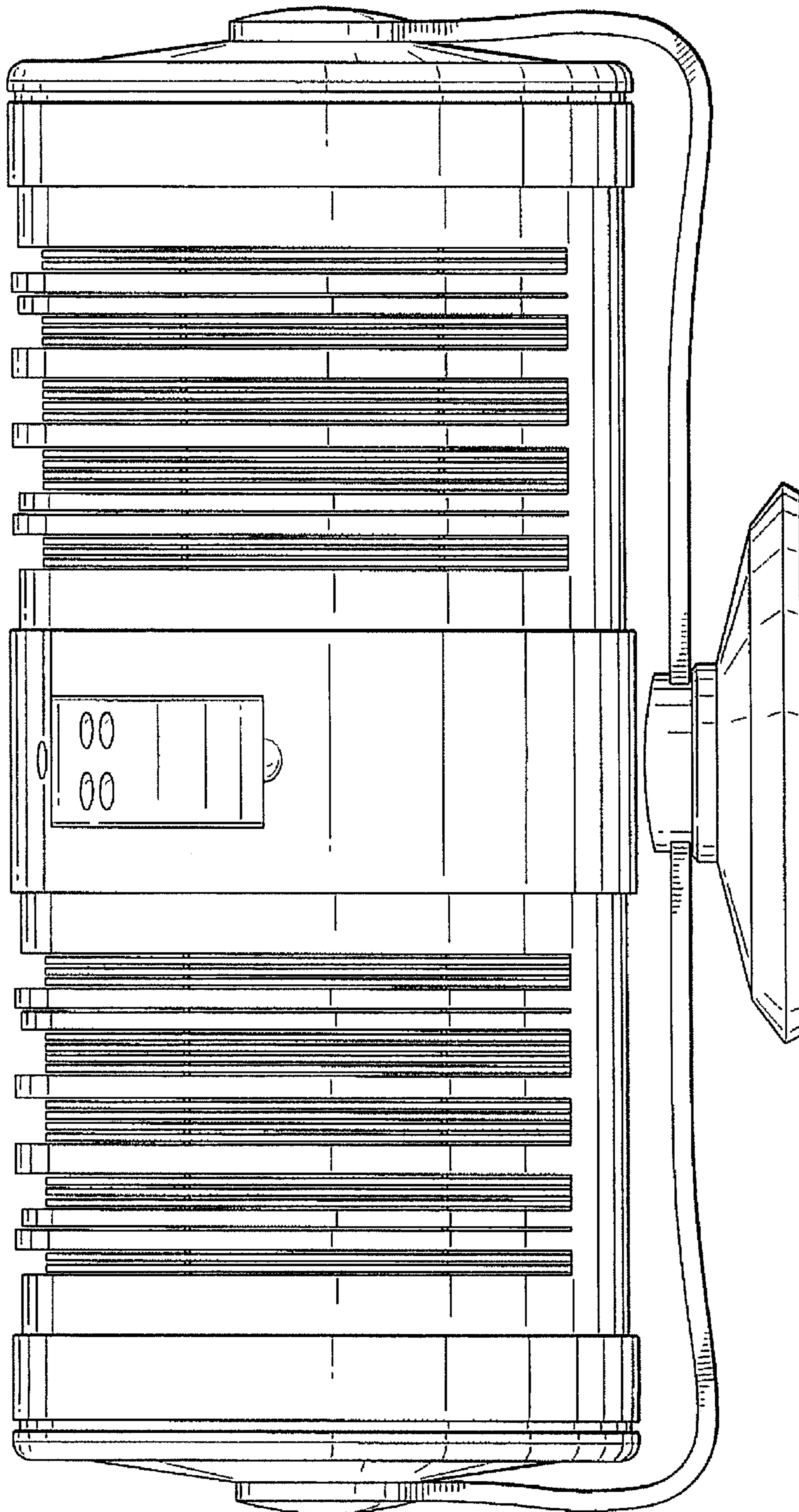


Fig. 2

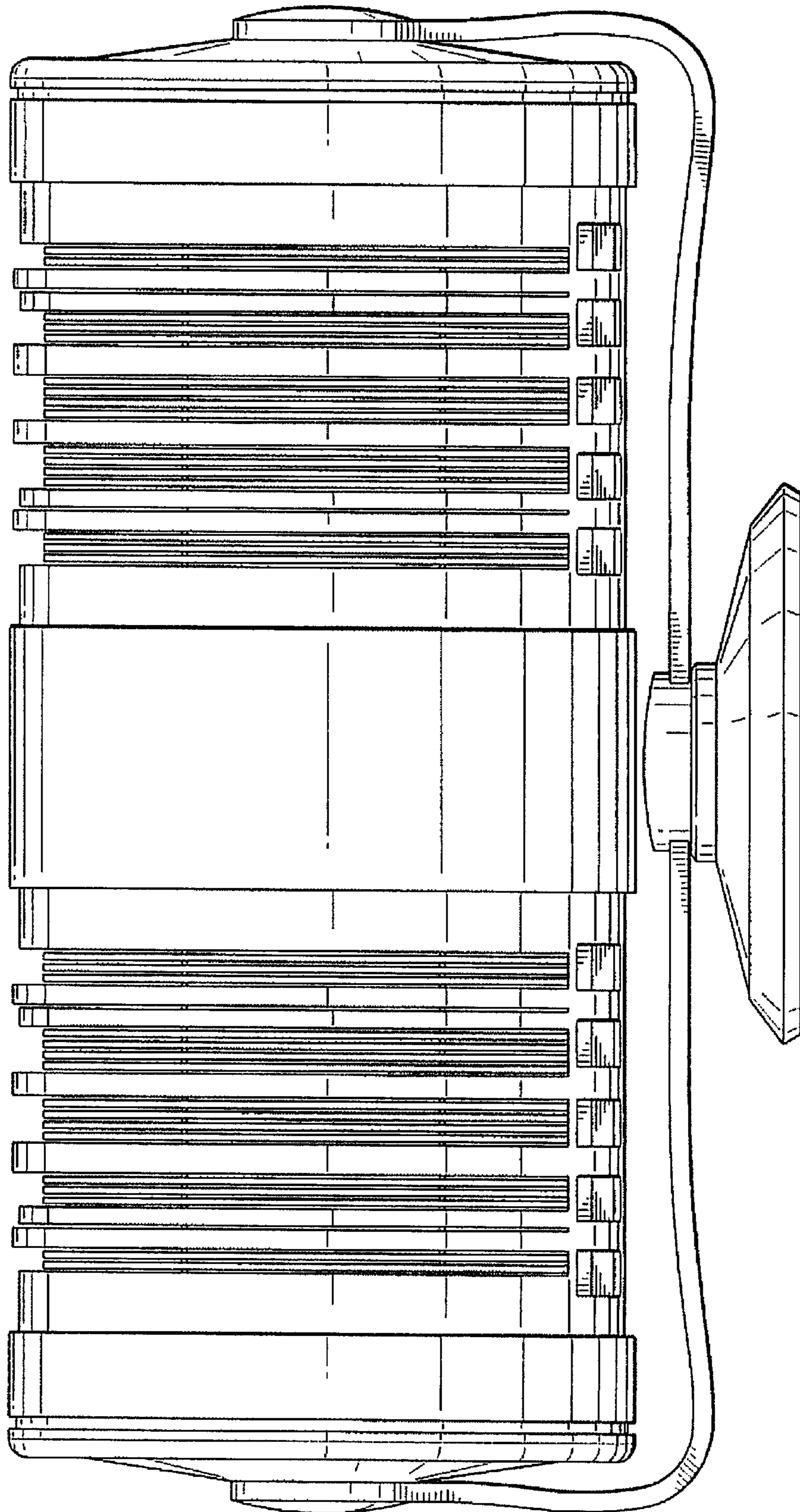


Fig. 3

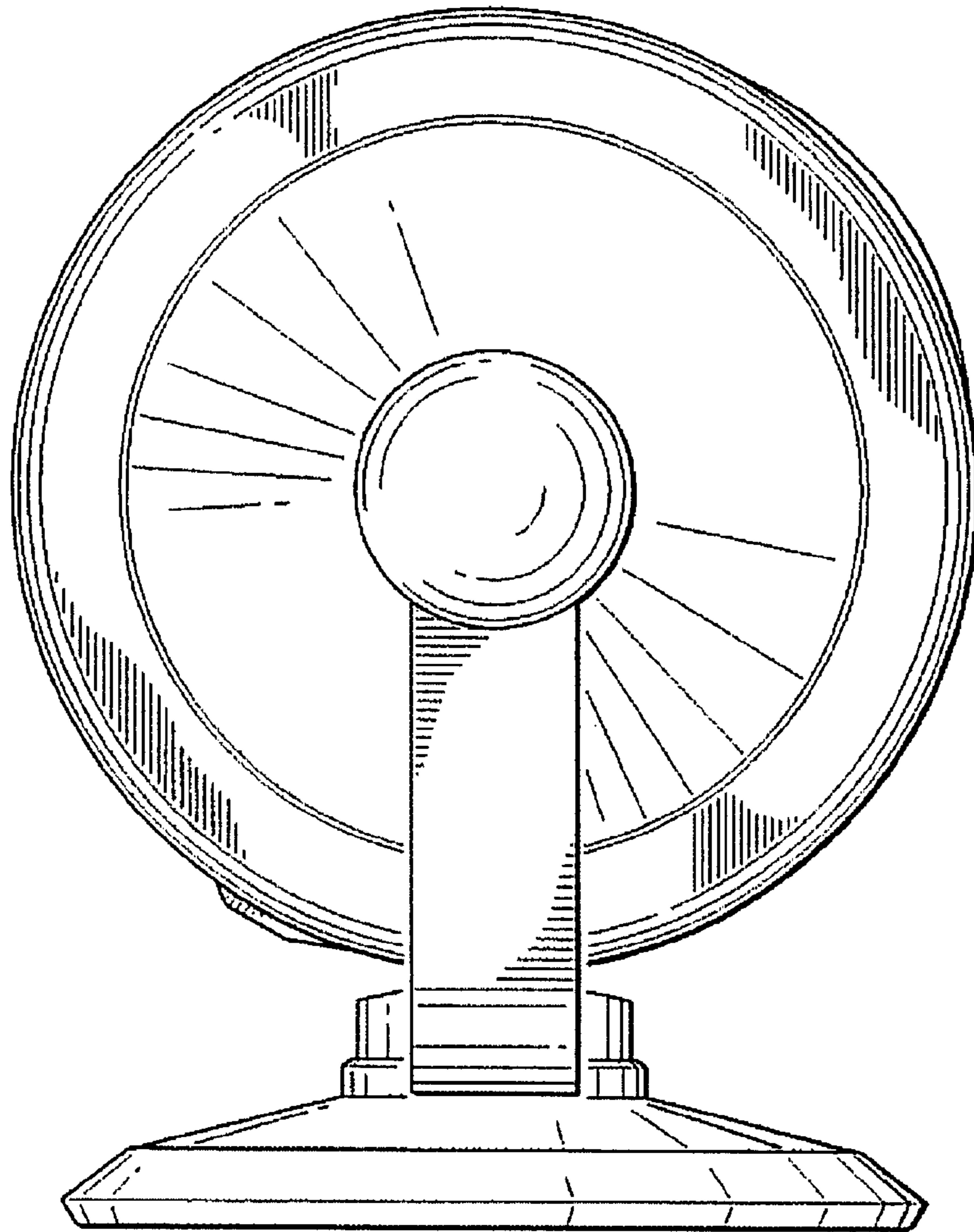


Fig. 4