



US00D538908S

(12) **United States Design Patent**
Ferguson

(10) **Patent No.:** **US D538,908 S**

(45) **Date of Patent:** **** Mar. 20, 2007**

(54) **VEHICLE LOUVER**

2004/0092225 A1 * 5/2004 Gehring et al. 454/155
2004/0142653 A1 * 7/2004 Gehring et al. 454/155

(75) Inventor: **Jeff D. Ferguson**, West Salem, WI (US)

* cited by examiner

(73) Assignee: **Northern Engraving Corporation**, Sparta, WI (US)

Primary Examiner—Louis S. Zarfes

Assistant Examiner—Anna K. Dworzecka

(74) *Attorney, Agent, or Firm*—McDonnell Boehnen Hulbert & Berghoff LLP

(**) Term: **14 Years**

(57) **CLAIM**

(21) Appl. No.: **29/260,871**

The ornamental design for a vehicle louver, as shown and described.

(22) Filed: **Jun. 2, 2006**

(51) **LOC (8) Cl.** **12-16**

(52) **U.S. Cl.** **D23/327**

(58) **Field of Classification Search** 49/80,
49/77.1, 92.1, 74.1; 454/224, 155; D6/580,
D6/575, 577; D12/192; D23/327, 393, 370,
D23/387, 392

See application file for complete search history.

DESCRIPTION

FIG. 1 is a perspective view from above and one side of a vehicle louver associated with a vehicle louver assembly; FIG. 2 is a top edge view of a vehicle louver of this invention;

FIG. 3 is a left side view of a vehicle louver of this invention;

FIG. 4 is a front view of a vehicle louver of this invention;

FIG. 5 is a right side view of a vehicle louver of this invention;

FIG. 6 is a bottom edge view of a vehicle louver of this invention; and,

FIG. 7 is a rear view of a vehicle louver of this invention.

The broken line showing of a vehicle louver assembly is included for the purpose of illustrating only and forms no part of the claimed design.

(56) **References Cited**

U.S. PATENT DOCUMENTS

D100,160 S	*	6/1936	Graff	D23/327
D169,811 S	*	6/1953	Heinley	D6/580
D352,857 S	*	11/1994	Underdahl	D6/580
D354,189 S	*	1/1995	Underdahl	D6/580
D366,586 S	*	1/1996	Underdahl	D6/580
D413,665 S	*	9/1999	Hudson	D23/393
D466,605 S	*	12/2002	Ziegler	D23/393
D508,122 S	*	8/2005	Murphy	D23/387

1 Claim, 1 Drawing Sheet

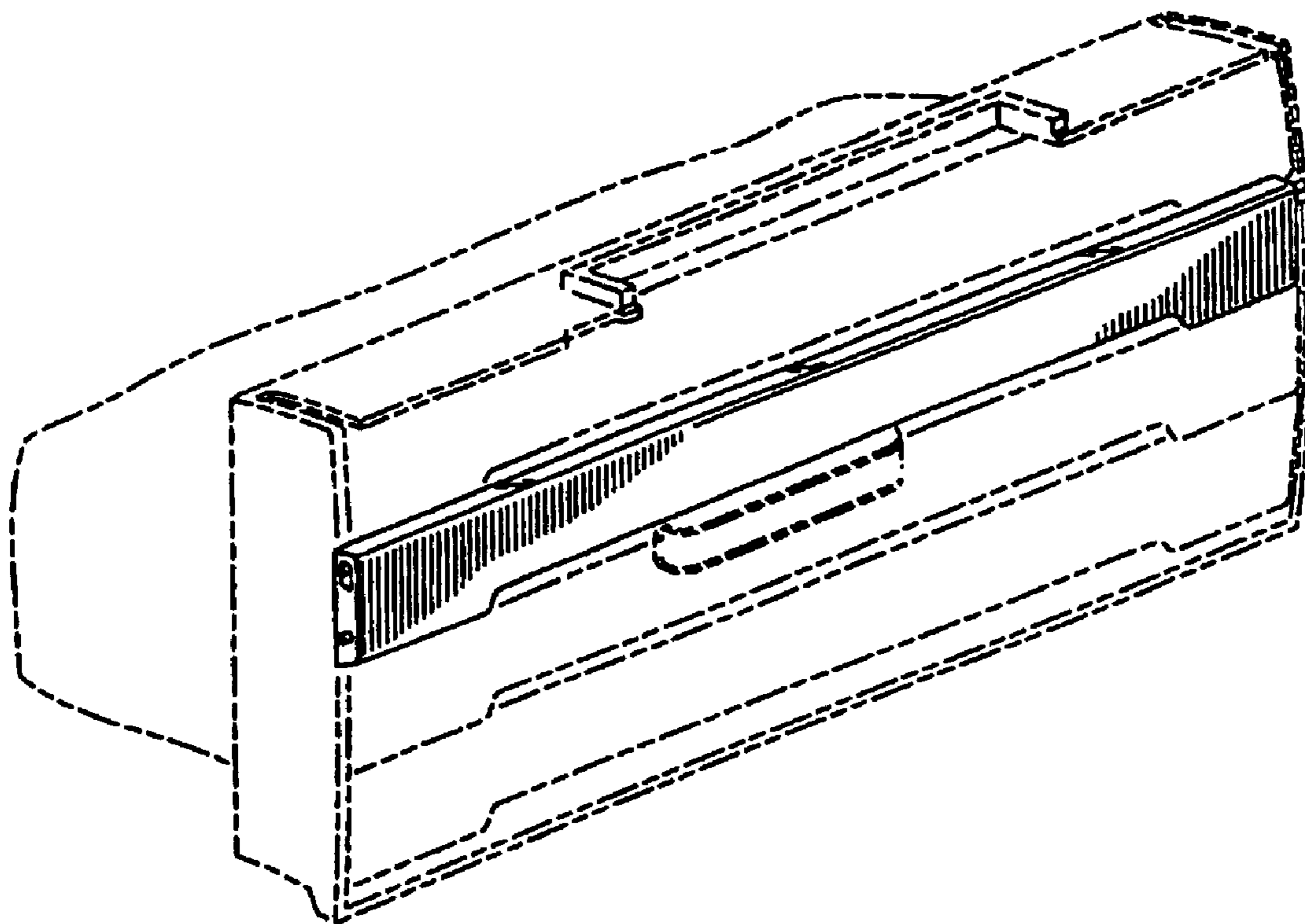


Fig. 1

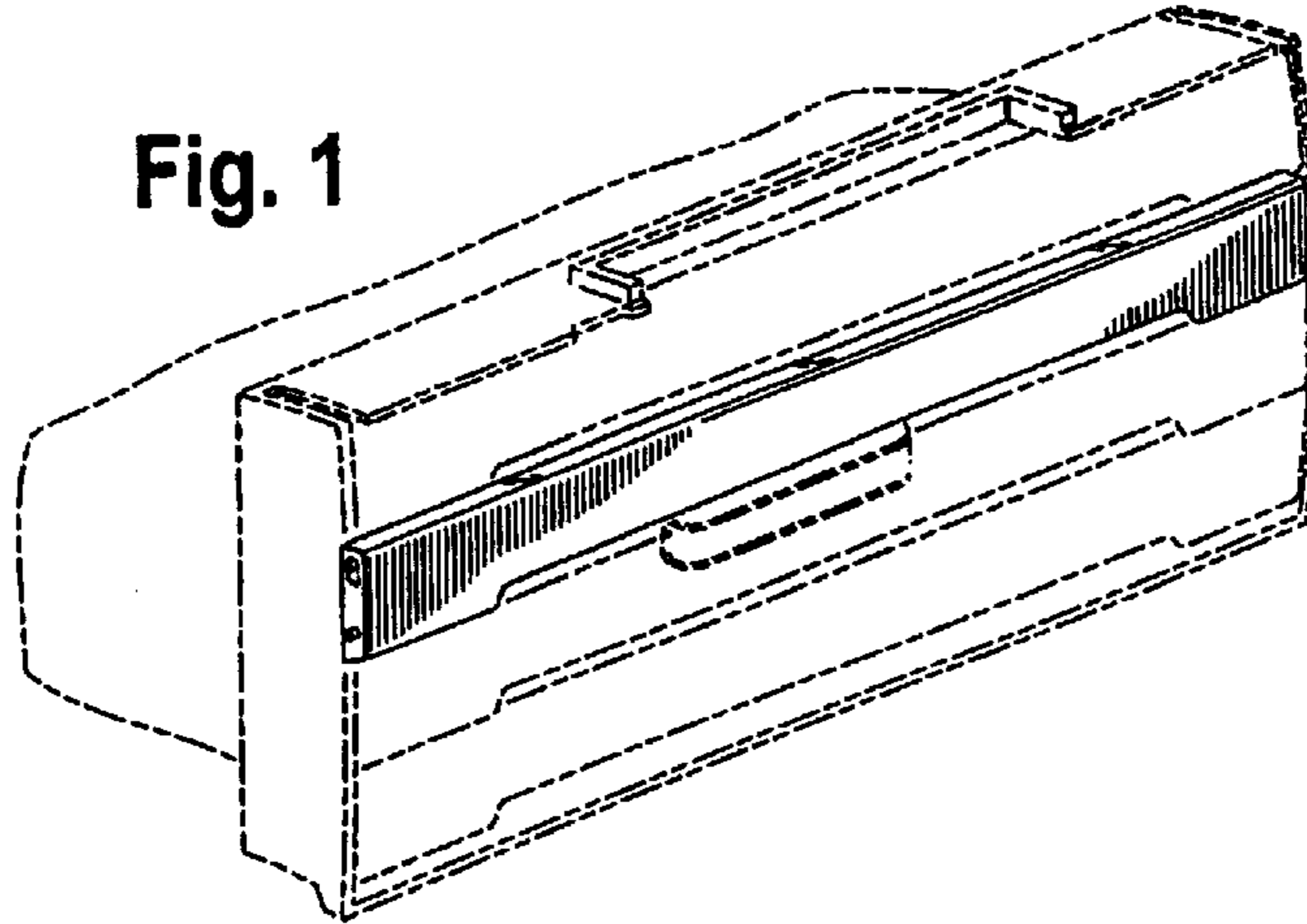


Fig. 2

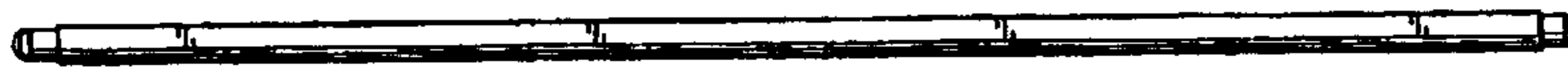


Fig. 3



Fig. 4

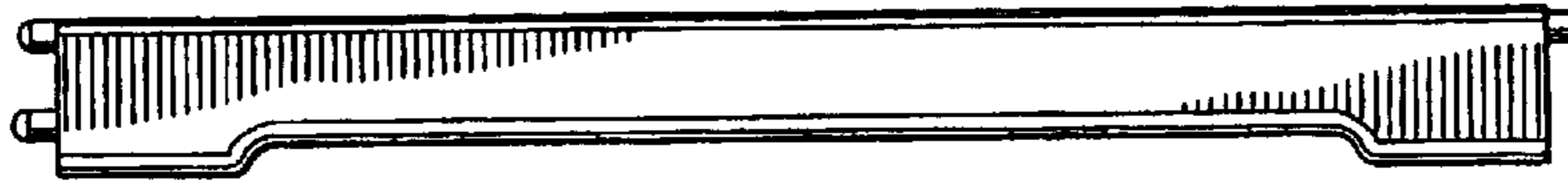


Fig. 5



Fig. 6

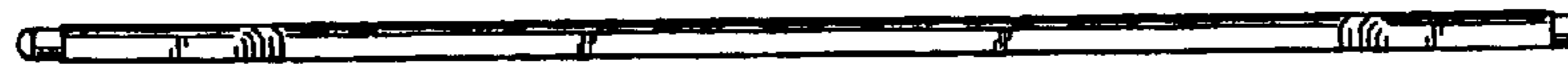


Fig. 7

