



US00D538907S

(12) **United States Design Patent**
Kaule

(10) **Patent No.:** **US D538,907 S**

(45) **Date of Patent:** **** Mar. 20, 2007**

(54) **SEAT**

(75) Inventor: **Brian M. Kaule**, Sheboygan, WI (US)

(73) Assignee: **Kohler Co.**, Kohler, WI (US)

(**) Term: **14 Years**

(21) Appl. No.: **29/263,884**

(22) Filed: **Jul. 31, 2006**

Related U.S. Application Data

(62) Division of application No. 29/251,238, filed on Jan. 5, 2006.

(51) **LOC (8) Cl.** **23-02**

(52) **U.S. Cl.** **D23/311**

(58) **Field of Classification Search** D23/303,
D23/309, 311-312; 4/485-486, 217, 234,
4/237-329, 424.1, 661, DIG. 6, DIG. 9
See application file for complete search history.

(56) **References Cited**

U.S. PATENT DOCUMENTS

D254,684 S	*	4/1980	Boyter	D23/311
D389,903 S	*	1/1998	Jones et al.	D23/311
D402,740 S		12/1998	Ochi et al.		
D428,126 S	*	7/2000	Hulsebus et al.	D23/311
D432,220 S		10/2000	Hulsebus et al.		
D458,990 S		6/2002	Yamanaka et al.		
6,449,780 B1	*	9/2002	Merry	4/239
D463,853 S		10/2002	Yamanaka et al.		
D471,966 S		3/2003	Hatakenaka et al.		
D485,337 S		1/2004	Tani et al.		
D492,398 S		6/2004	Kato et al.		
D510,616 S	*	10/2005	Regan	D23/311

OTHER PUBLICATIONS

Kohler Co. Catalog, "Portrait Toilet, Potrait Bidette, Calypso Bidette".

Homeportfolio website, "Kohler Primary Seat," printed Sep. 2, 2005. <http://homeportfolio.com>.

Need Plumbing Supplies website, "Toto MS990CG Neorest 600," printed Sep. 2, 2005. <http://www.needplumbingsupplies.com>.

* cited by examiner

Primary Examiner—Robert A. Delehanty

(74) *Attorney, Agent, or Firm*—Quarles & Brady LLP

(57) **CLAIM**

The ornamental design for a seat, as shown and described.

DESCRIPTION

In a preferred embodiment, the nature of this product is a seat for a plumbing fixture having a bowl, such as a water closet or a bidet.

FIG. 1 is a left, top, front perspective view of a seat according to my new design;

FIG. 2 is a top plan view thereof;

FIG. 3 is a left side elevational view thereof, the right side elevational view thereof being a mirror image of the left side shown;

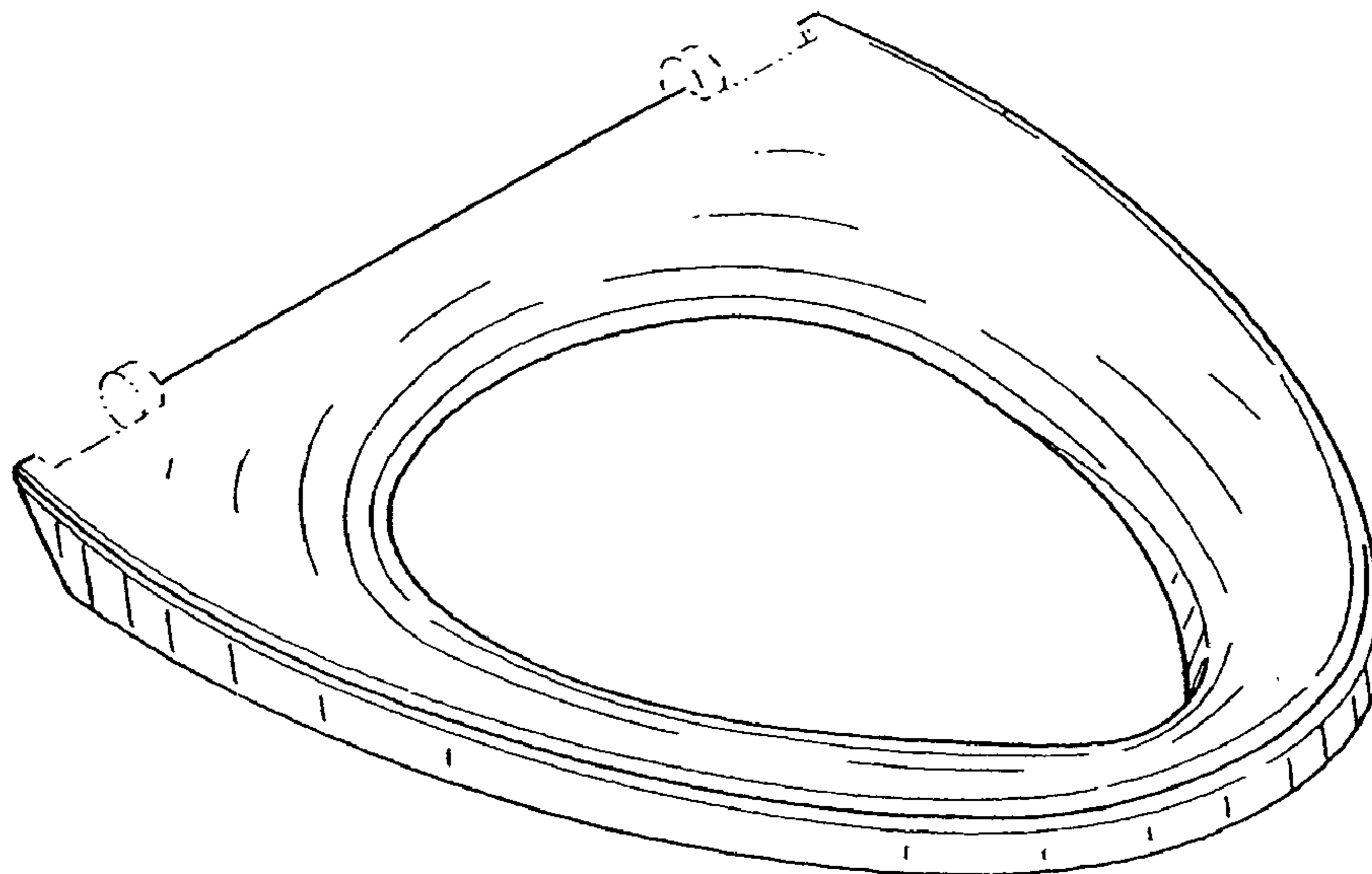
FIG. 4 is a front elevational view thereof;

FIG. 5 is a rear elevational view thereof; and,

FIG. 6 is a bottom plan view thereof.

The broken line representations of the seat hinge and riser structure in 1-6 are for the purpose of illustration only, and form no part of the claimed design.

1 Claim, 2 Drawing Sheets



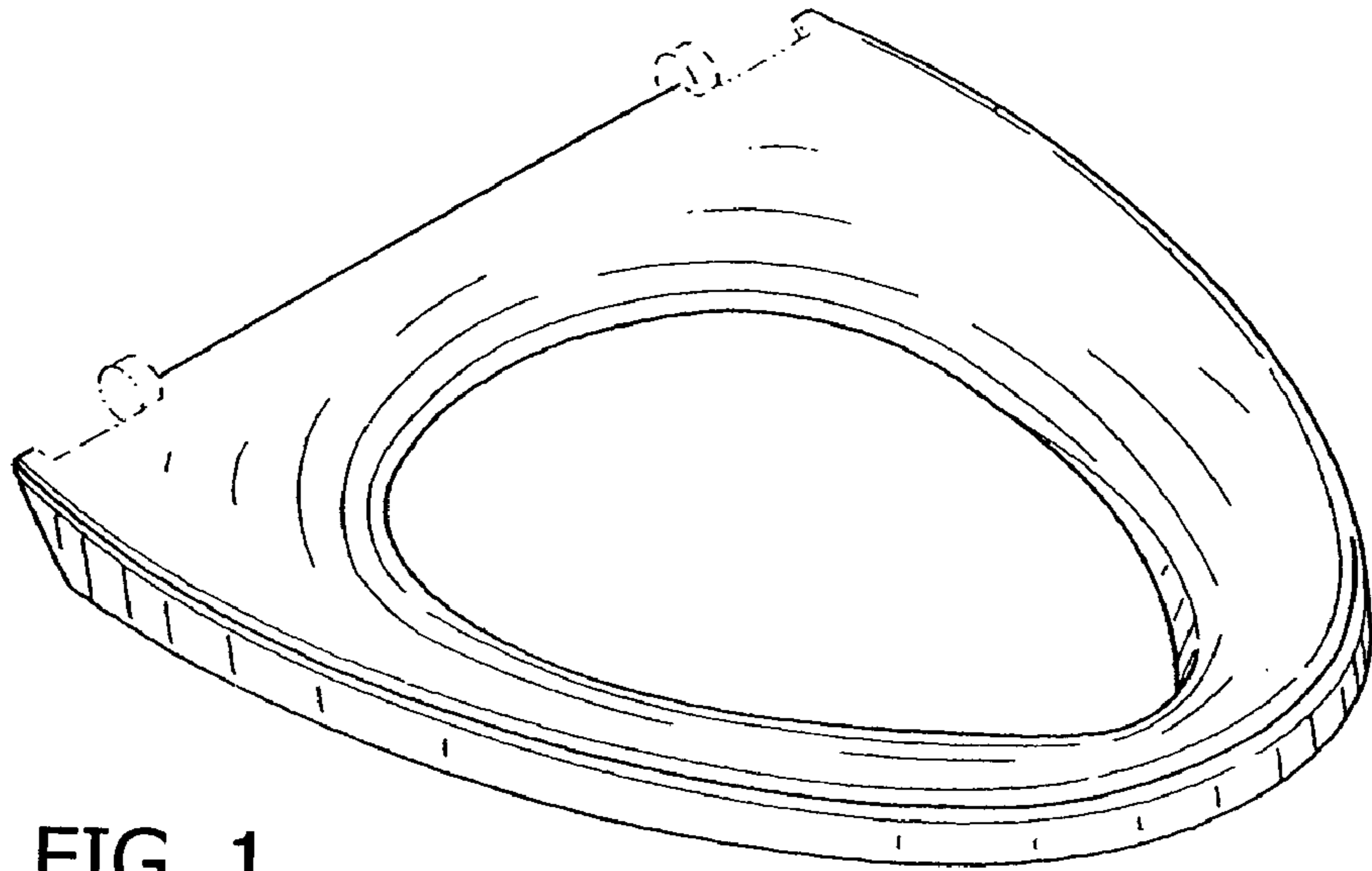


FIG. 1

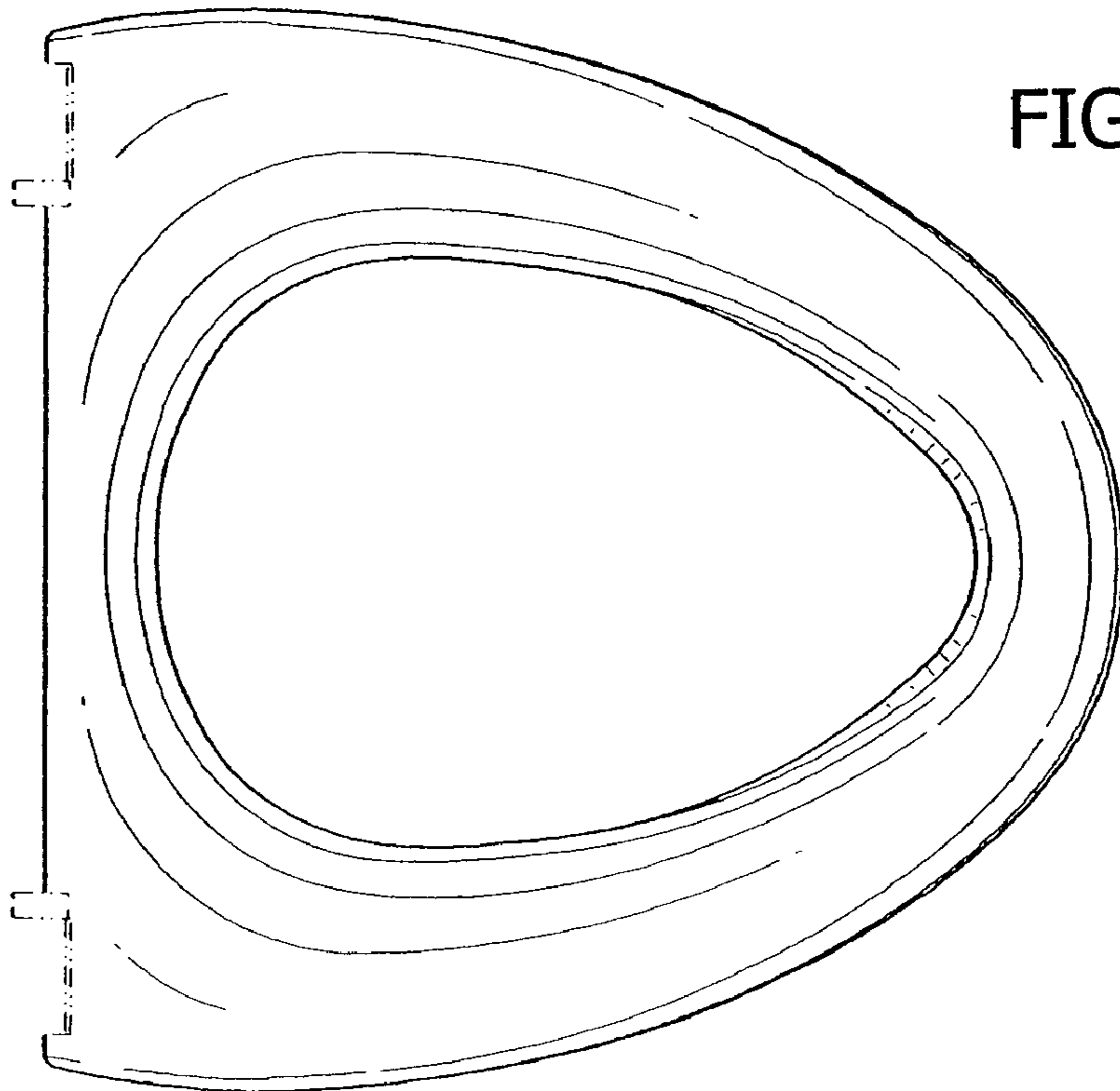


FIG. 2

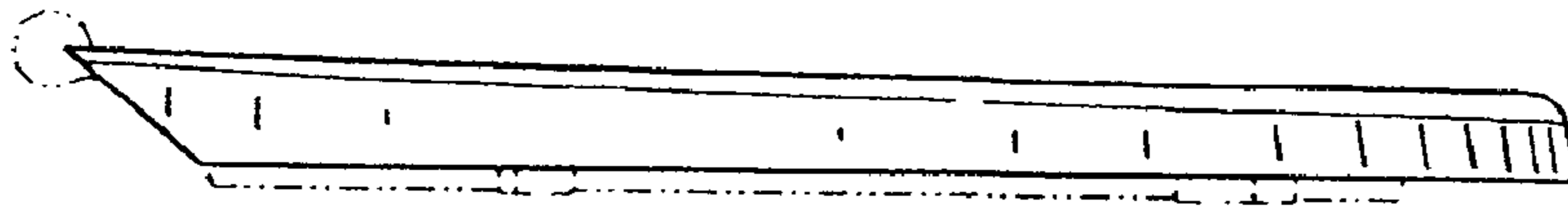


FIG. 3

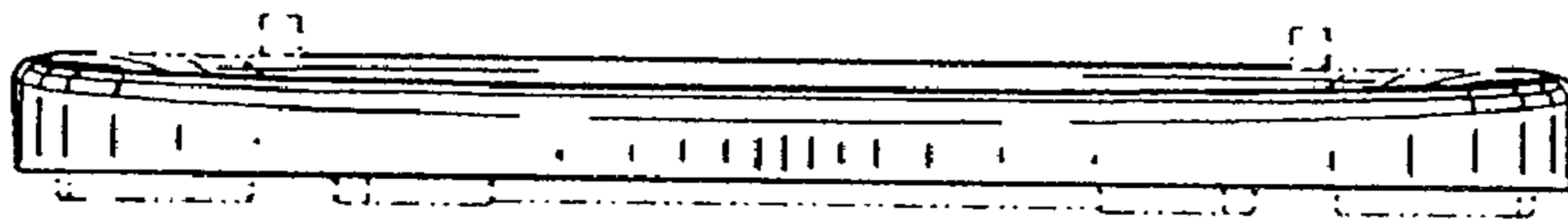


FIG. 4

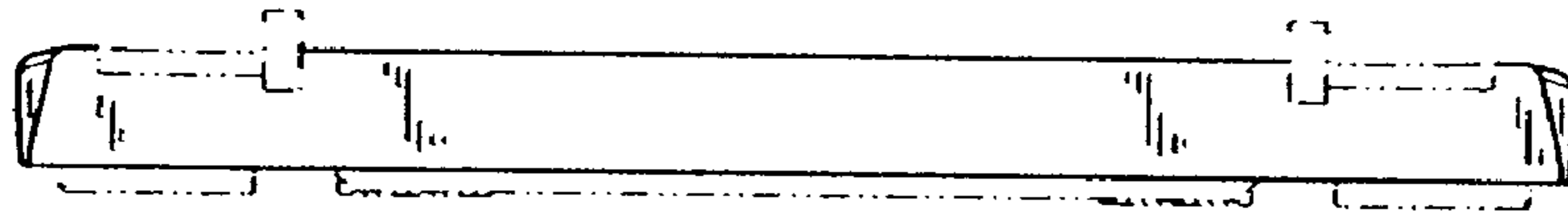


FIG. 5

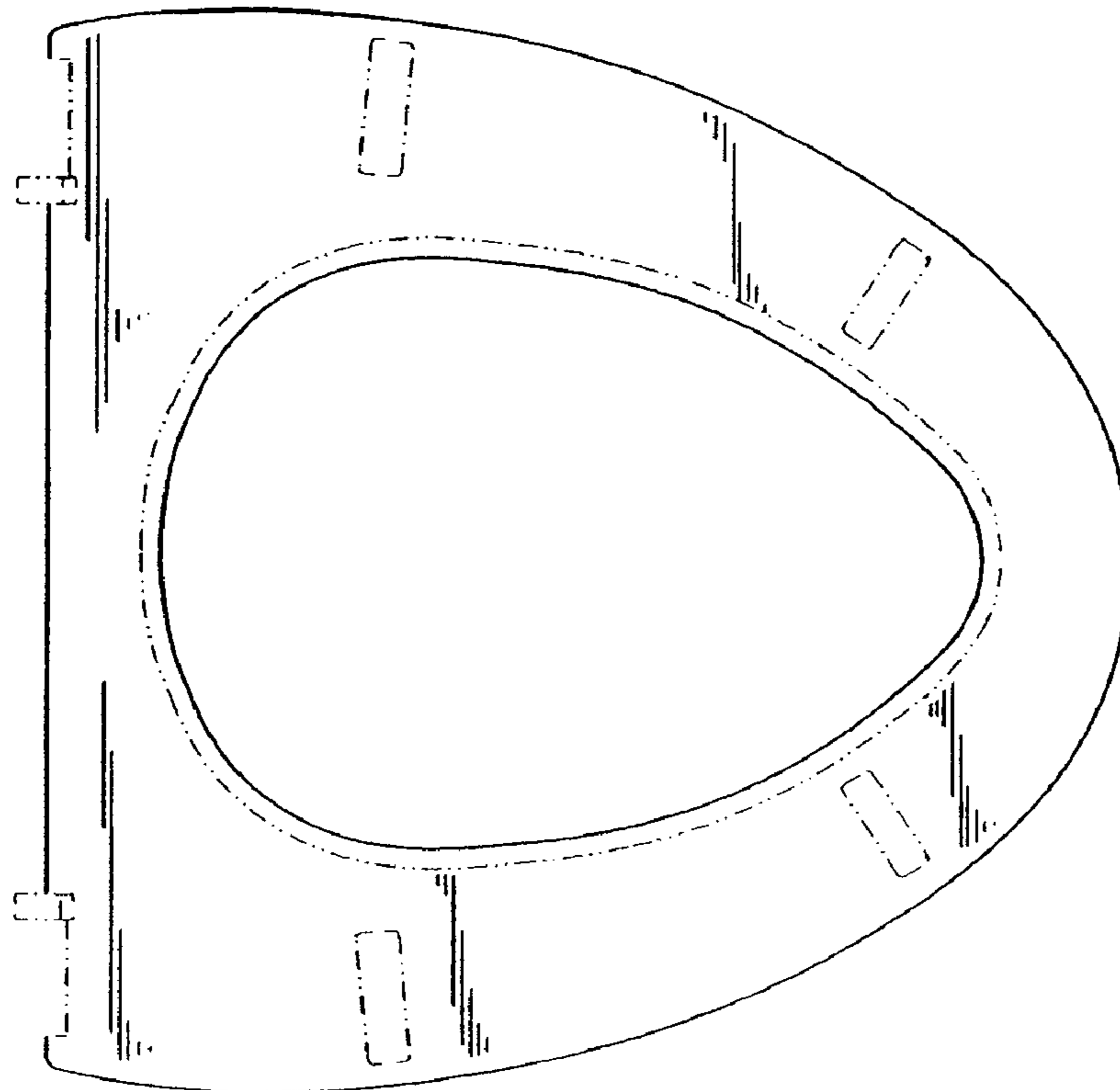


FIG. 6