



US00D538905S

(12) **United States Design Patent**
Wano

(10) **Patent No.:** **US D538,905 S**

(45) **Date of Patent:** **** Mar. 20, 2007**

(54) **LAVATORY**

D483,840 S * 12/2003 Molinaro D23/277
D499,797 S * 12/2004 Bates D23/284

(75) Inventor: **Masanobu Wano**, Kitakyushu (JP)

* cited by examiner

(73) Assignee: **Toto Ltd.**, Kitakyushu (JP)

Primary Examiner—Robert A. Delehanty

(**) Term: **14 Years**

(74) *Attorney, Agent, or Firm*—Birch, Stewart, Kolasch & Birch, LLP

(21) Appl. No.: **29/257,006**

(57) **CLAIM**

(22) Filed: **Mar. 29, 2006**

The ornamental design for a lavatory, as shown and described.

(51) **LOC (8) Cl.** **23-02**

(52) **U.S. Cl.** **D23/293.1**

(58) **Field of Classification Search** D23/270–271,
D23/273, 284–287, 291, 293.1, 303, 308;
4/619, 624–625, 630, 661, DIG. 15; D21/524
See application file for complete search history.

DESCRIPTION

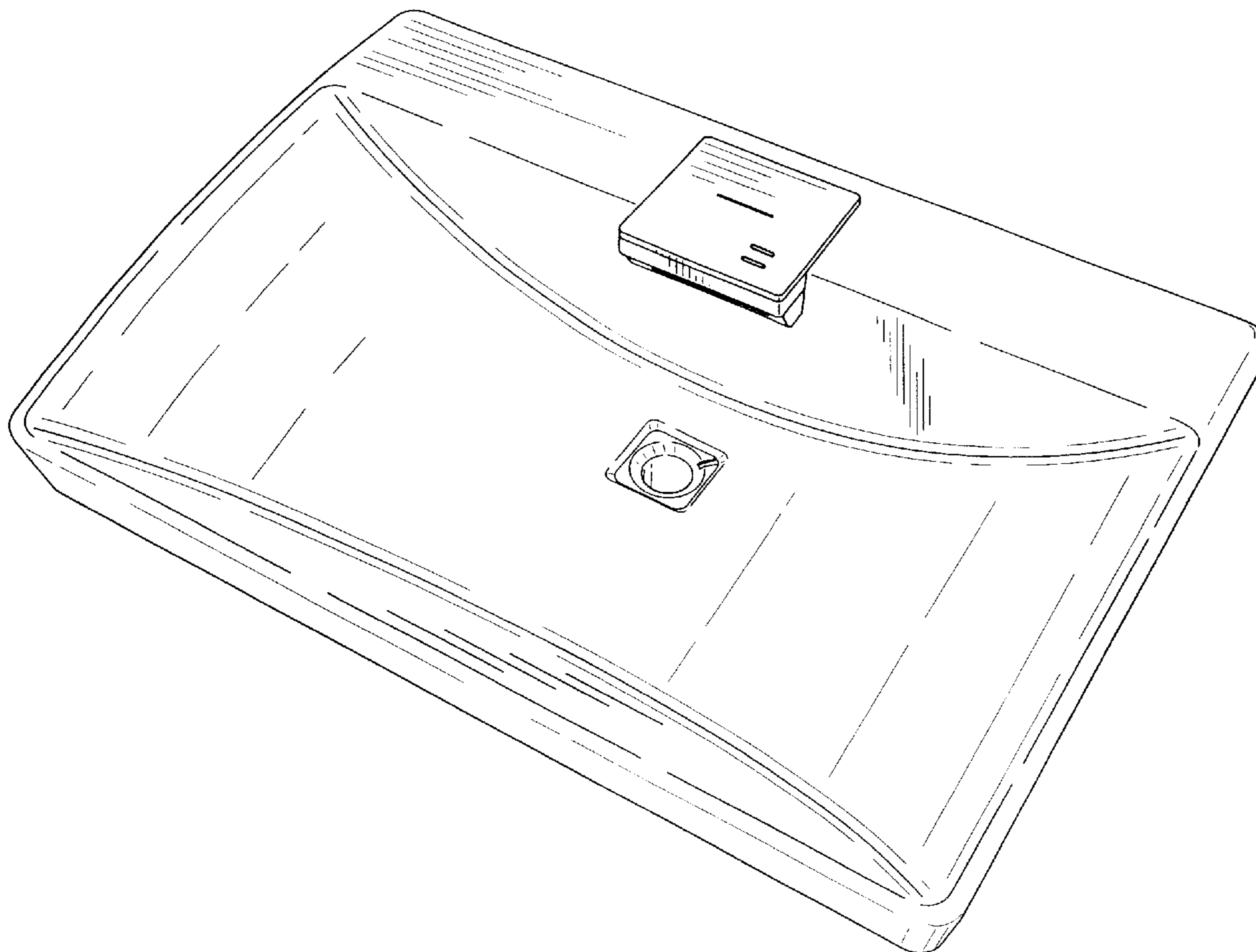
FIG. 1 is a perspective view of the top, front and right side of a lavatory showing my new design;
FIG. 2 is a top plan view thereof;
FIG. 3 is a front view thereof;
FIG. 4 is a left side view thereof;
FIG. 5 is a right side view thereof;
FIG. 6 is a rear view thereof; and,
FIG. 7 is a bottom view thereof.

(56) **References Cited**

U.S. PATENT DOCUMENTS

D191,432 S * 10/1961 Chapman D23/293.1
D391,353 S * 2/1998 McKeone D23/284
D415,261 S * 10/1999 Thomas D23/284

1 Claim, 4 Drawing Sheets



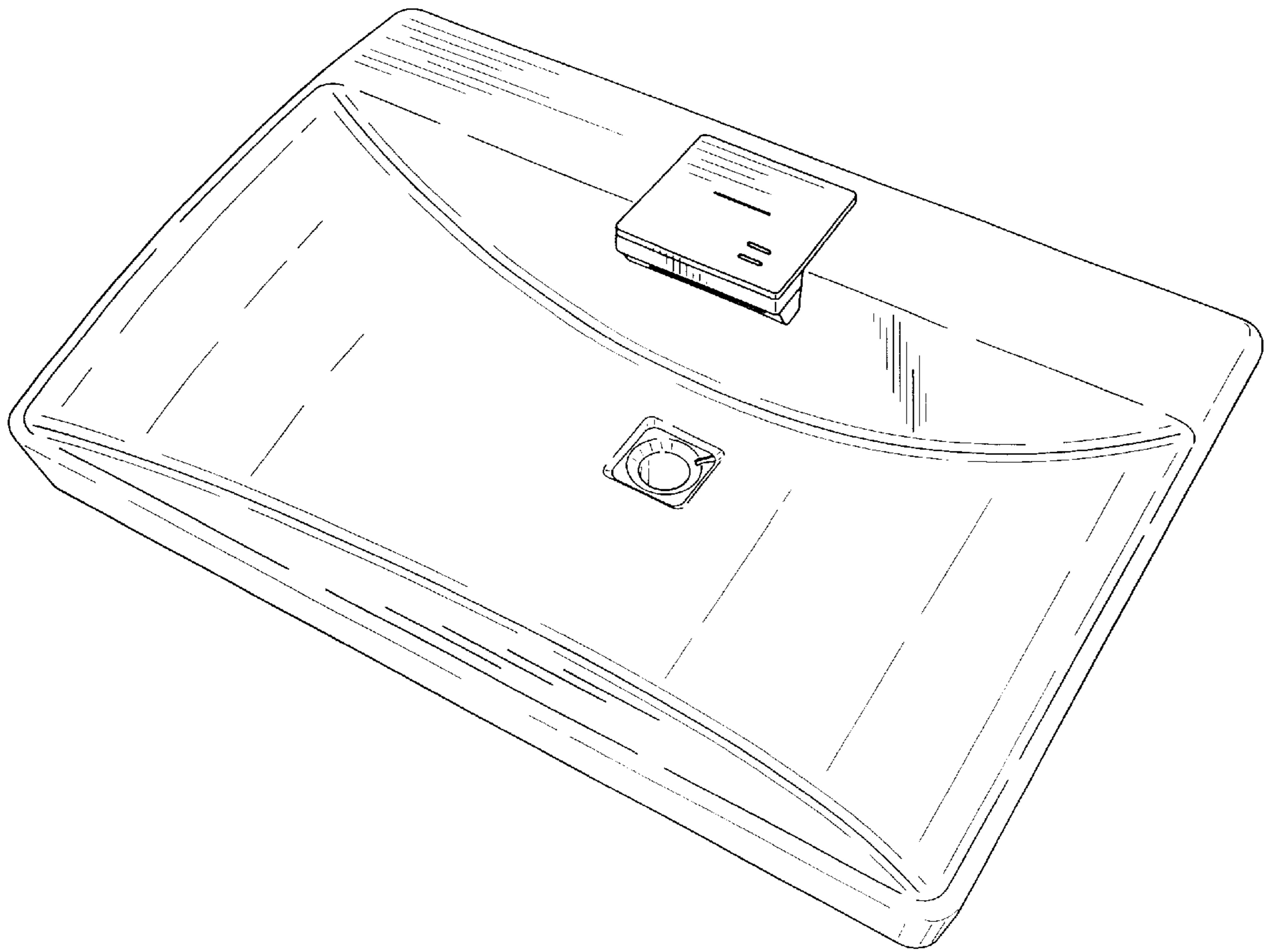


FIG. 1

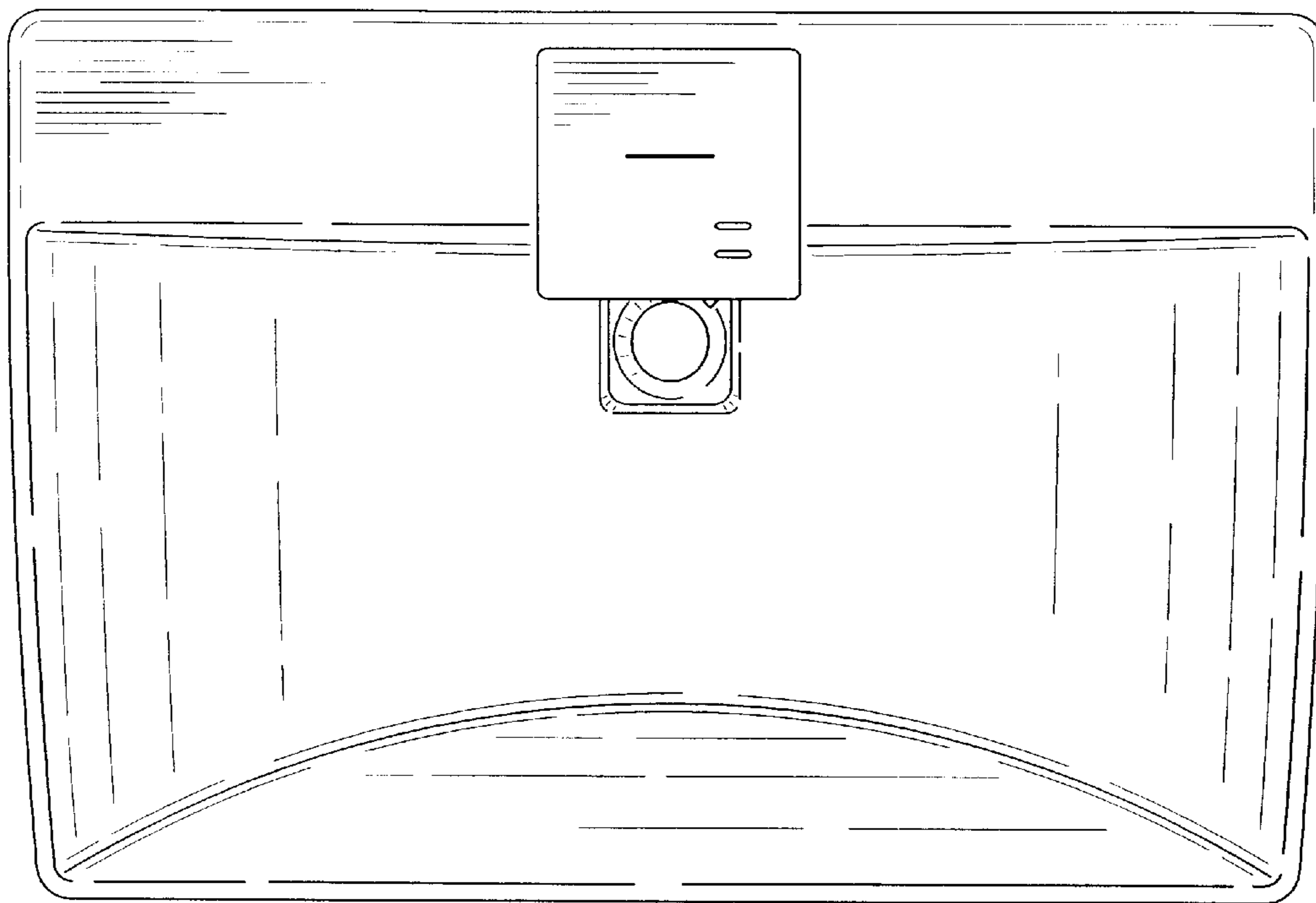


FIG. 2

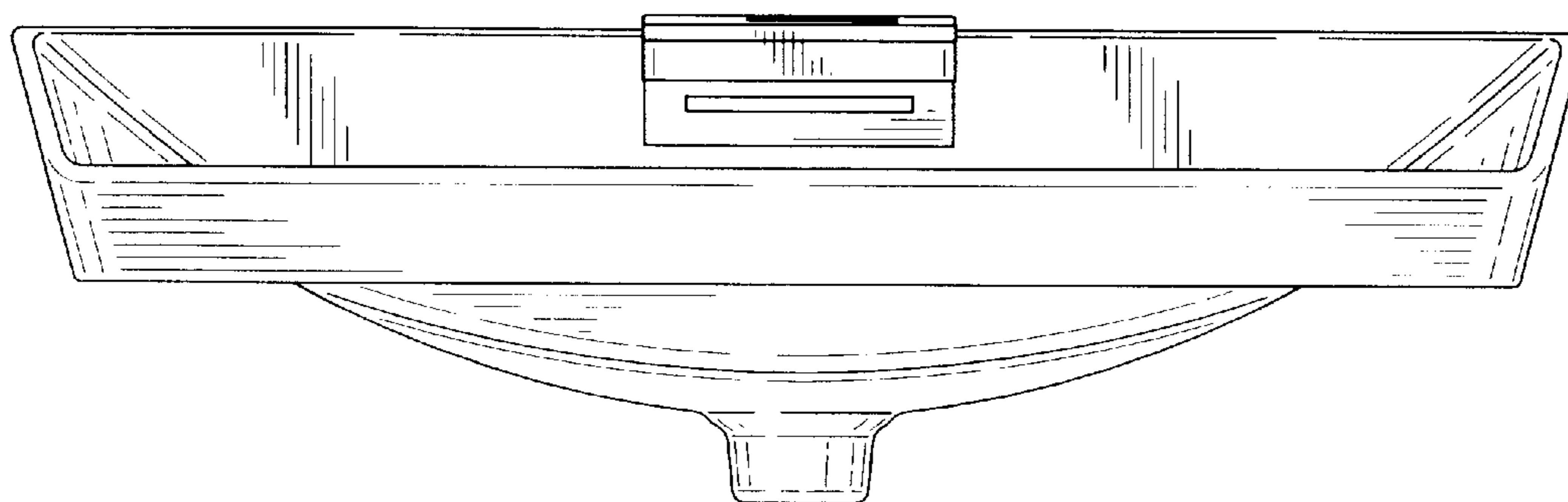


FIG. 3

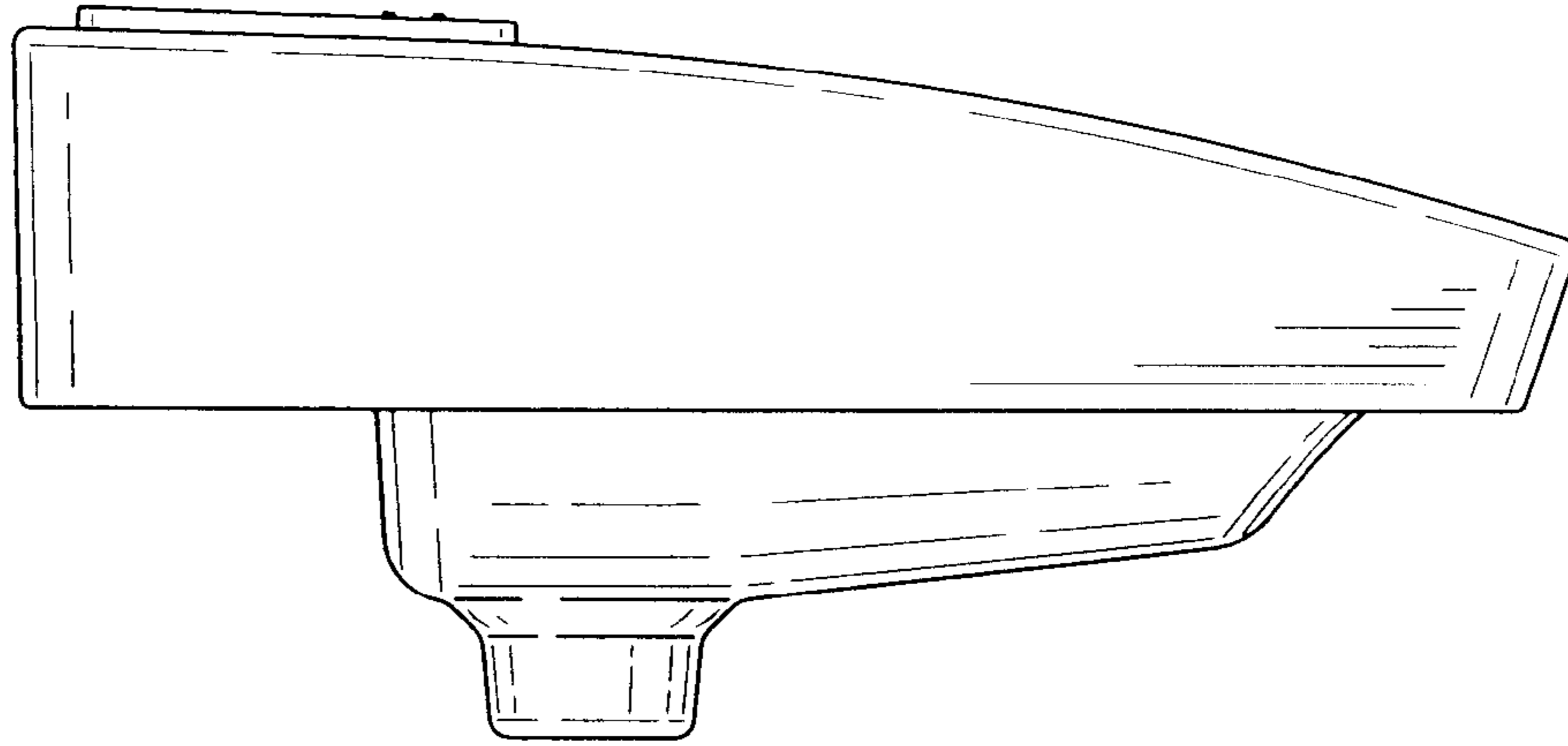


FIG. 4

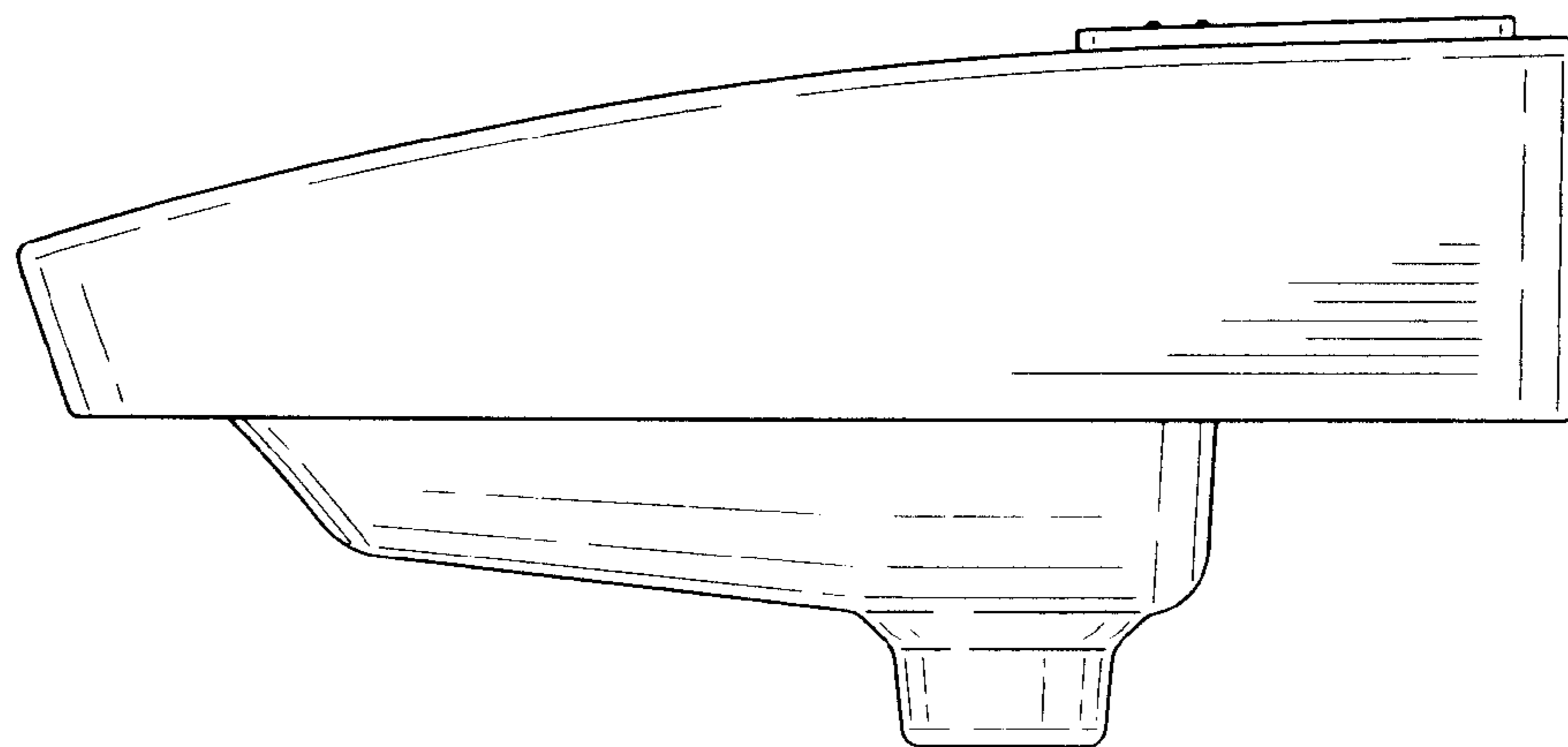


FIG. 5

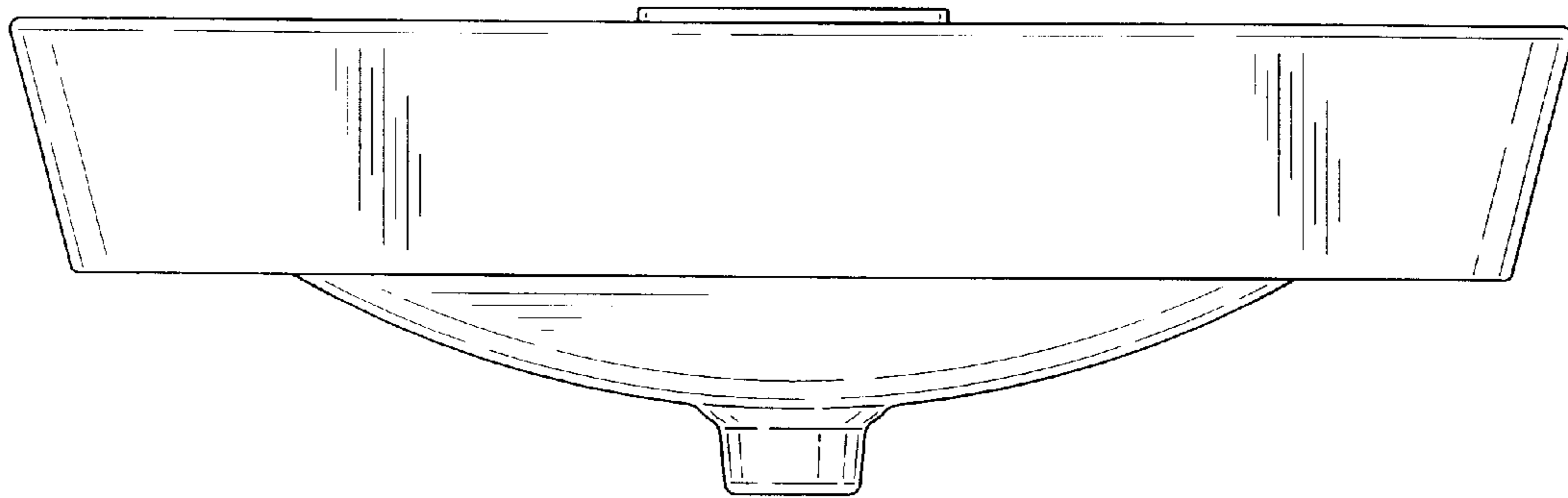


FIG. 6

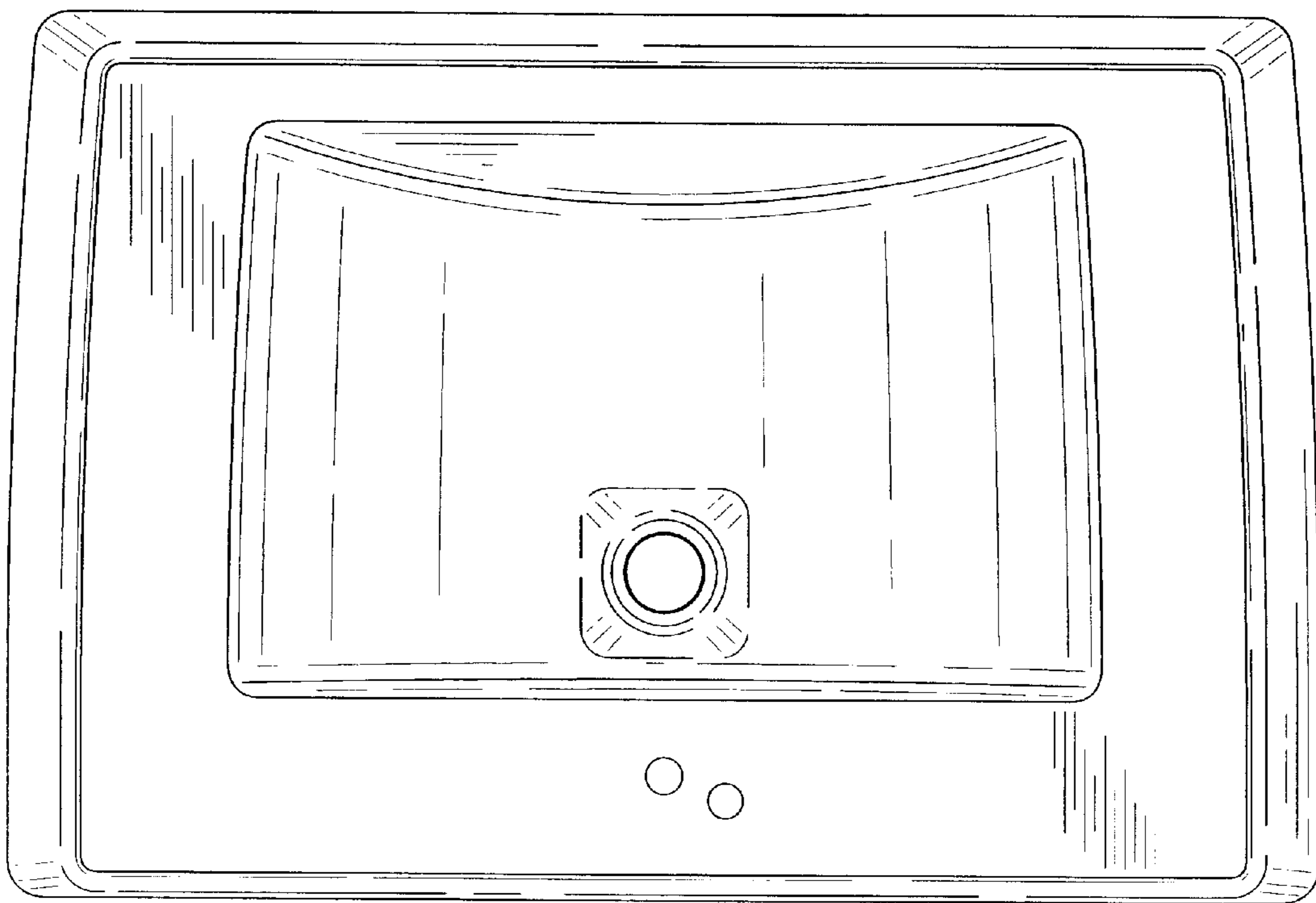


FIG. 7