



US00D538903S

(12) **United States Design Patent**  
**Paterson**

(10) **Patent No.:** **US D538,903 S**

(45) **Date of Patent:** **\*\* Mar. 20, 2007**

(54) **LAVATORY**

(75) Inventor: **Nicholas W. Paterson**, Sheboygan Falls, WI (US)

(73) Assignee: **Kohler Co.**, Kohler, WI (US)

(\*\*) Term: **14 Years**

(21) Appl. No.: **29/240,447**

(22) Filed: **Oct. 13, 2005**

(51) **LOC (8) Cl.** ..... **23-02**

(52) **U.S. Cl.** ..... **D23/293.1**

(58) **Field of Classification Search** ..... D23/270–271, D23/273, 284–287, 291, 293.1, 303, 308; 4/619, 624–625, 630, 661, DIG. 15; D21/524  
See application file for complete search history.

(56) **References Cited**

**U.S. PATENT DOCUMENTS**

D437,035 S \* 1/2001 Roberts ..... D23/284  
D499,797 S \* 12/2004 Bates ..... D23/284  
D506,534 S \* 6/2005 Sutopo ..... D23/293.1

**OTHER PUBLICATIONS**

Kohler catalog, Countertop self-rimming sinks.  
ELKAY website at [www.faucet.com](http://www.faucet.com), “Lustertone Bathroom Sinks”, self-rimming bathroom sinks, date printed Sep. 30, 2005.  
2004 KOHLER catalog, p. 11.18, “The Bold Look of Kohler”, Centerpiece and Vintage self-rimming sinks.  
Yuantai International Limited website at [www.global-sources.com](http://www.global-sources.com), Sinks & Basins, stainless steel sink. Dated printed Sep. 30, 2005.

\* cited by examiner

*Primary Examiner*—Robert A. Delehanty

(74) *Attorney, Agent, or Firm*—Quarles & Brady LLP

(57) **CLAIM**

The ornamental design for a lavatory, as shown and described.

**DESCRIPTION**

In a preferred embodiment, the nature of this product is as a plumbing fixture in the form of a lavatory which is primarily useful for washing the body parts of humans.

FIG. 1 is a right, top, front perspective view of a lavatory embodying my new design;

FIG. 2 is a top plan view thereof;

FIG. 3 is a front elevational view thereof;

FIG. 4 is a right side elevational view thereof, the left side elevational view thereof being a mirror image of the right side shown;

FIG. 5 is a rear elevational view thereof;

FIG. 6 is a bottom plan view thereof;

FIG. 7 is a cross sectional view thereof taken along line 7—7 of FIG. 2;

FIG. 8 is a right, top, front perspective view of a second embodiment of my invention;

FIG. 9 is a top plan view thereof;

FIG. 10 is a front elevational view thereof;

FIG. 11 is a right side elevational view thereof, the left side elevational view thereof being a mirror image of the right side shown;

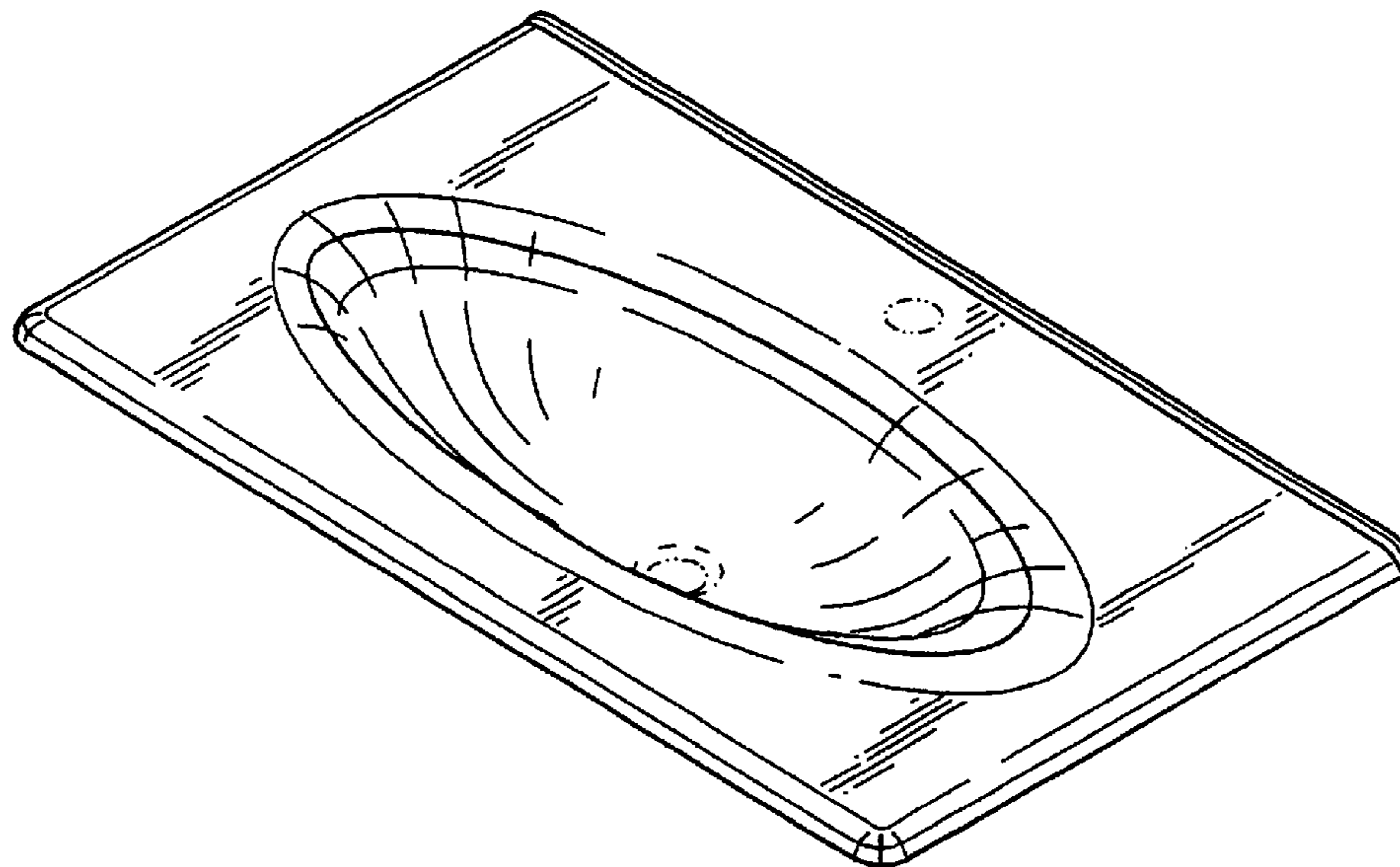
FIG. 12 is a rear elevational view thereof;

FIG. 13 is a bottom plan view thereof; and,

FIG. 14 is a cross sectional view thereof taken along line 14—14 of FIG. 9.

The broken line representations of drains in FIGS. 1–14 and mounting holes in FIGS. 1, 2, 6, 8, 9 and 13 are for the purpose of illustration only, and form no part of the claimed design.

**1 Claim, 8 Drawing Sheets**



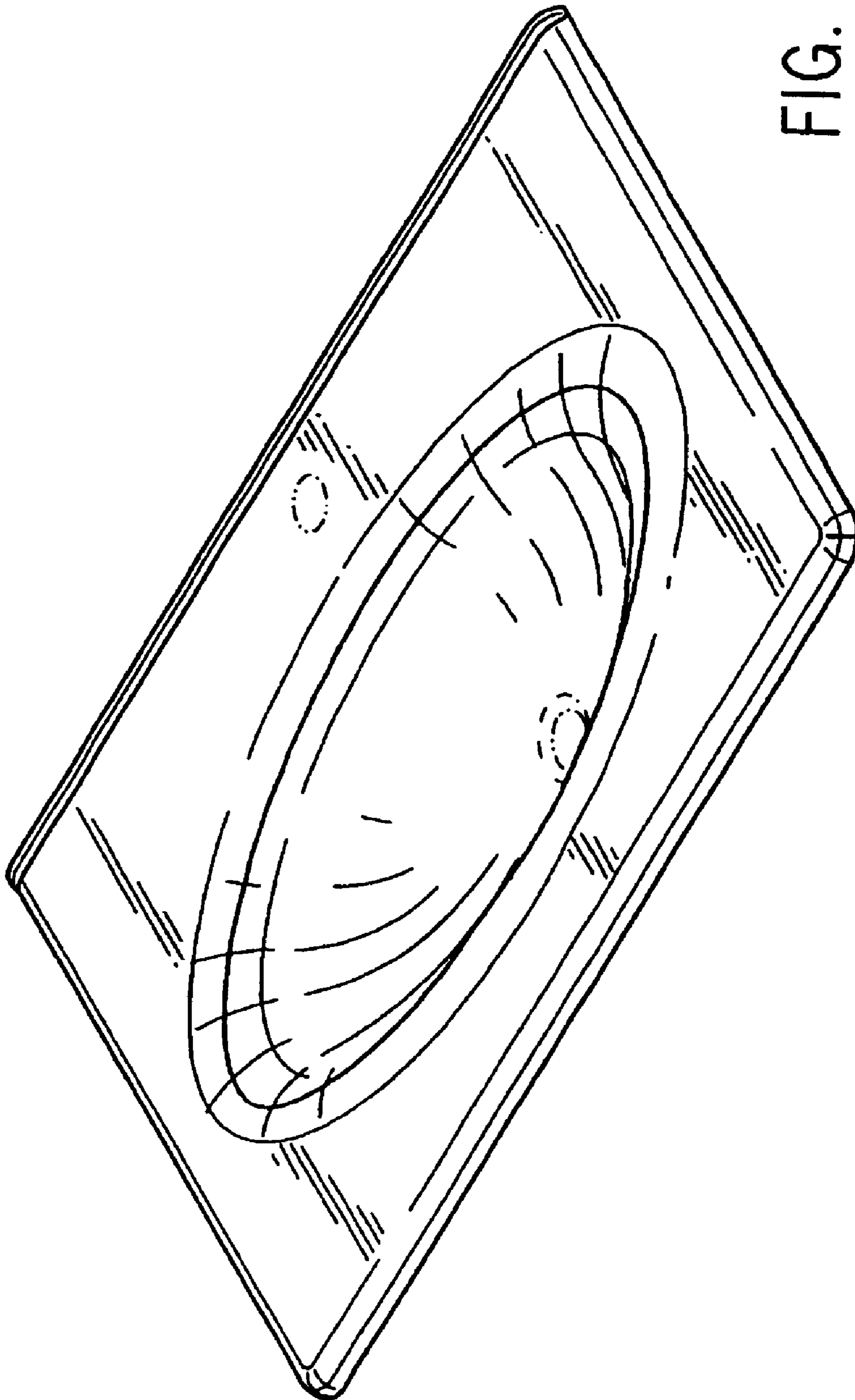


FIG. 1

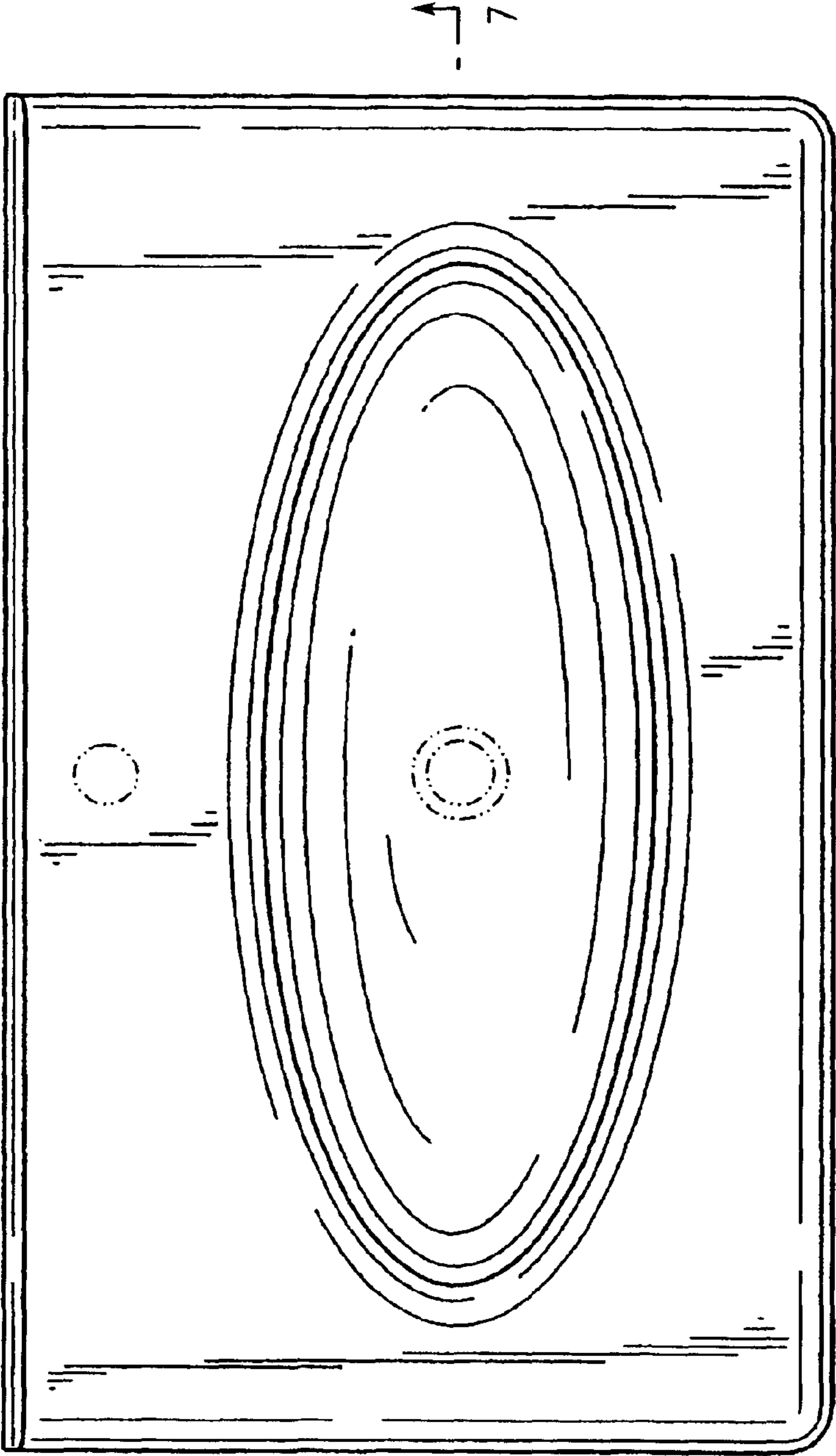


FIG. 2

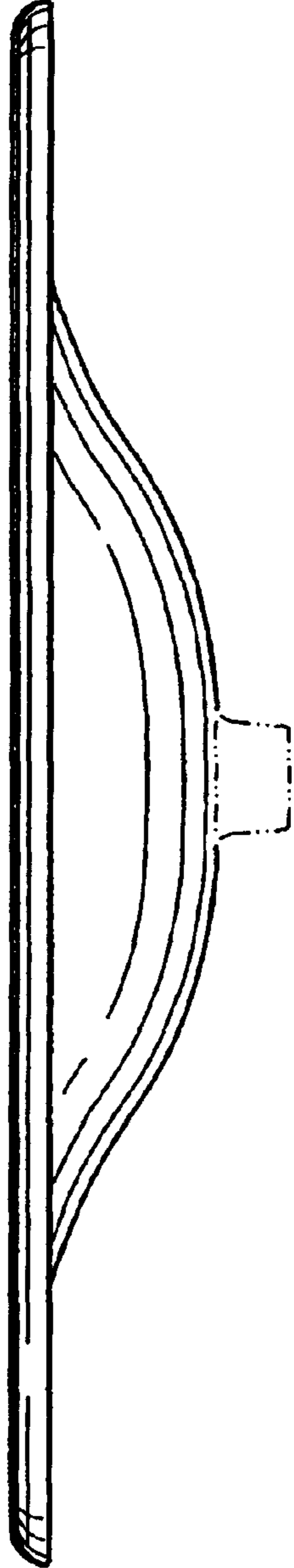


FIG. 3

FIG. 4

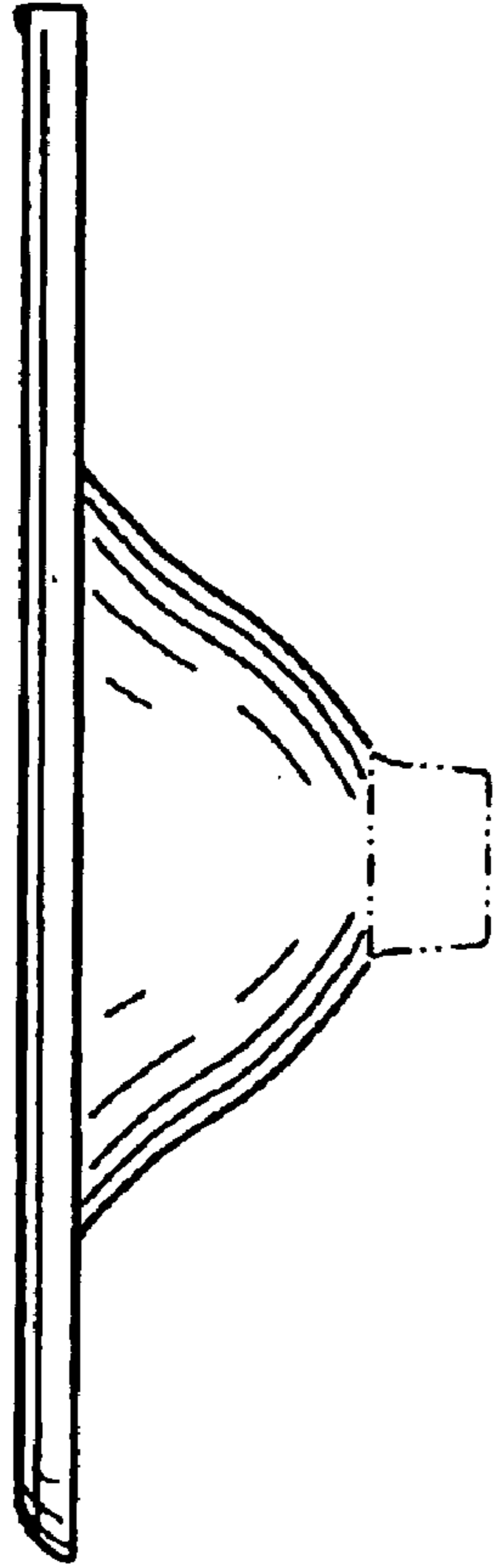


FIG. 5

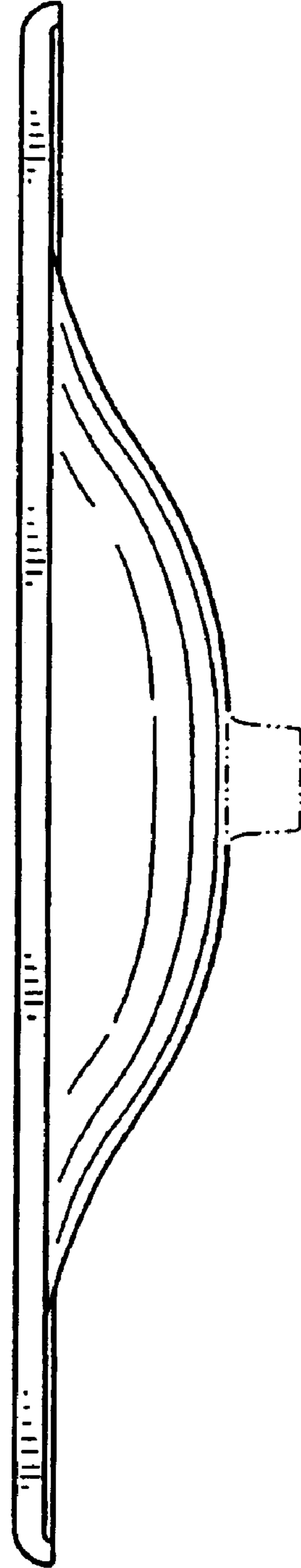


FIG. 6

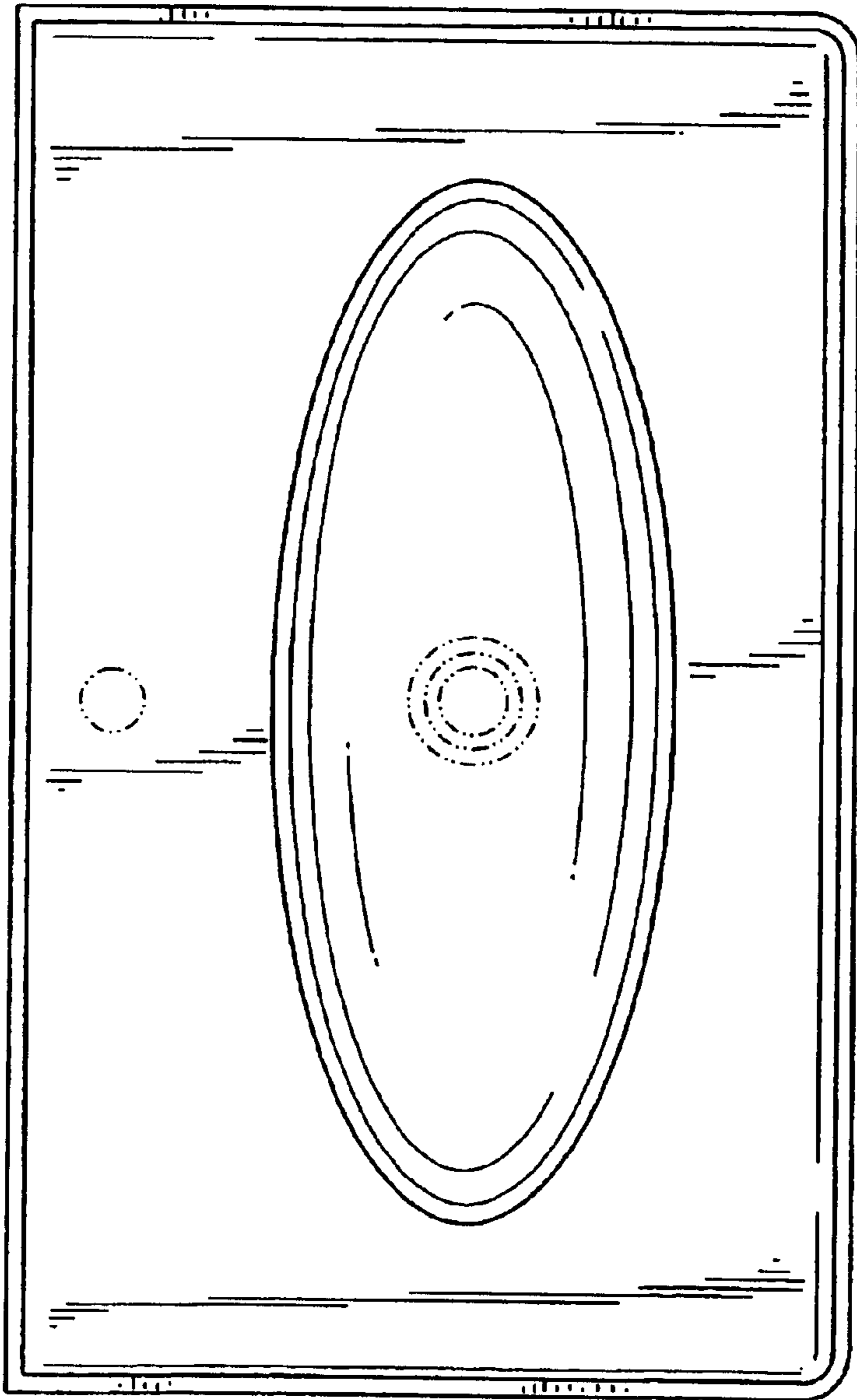


FIG. 7

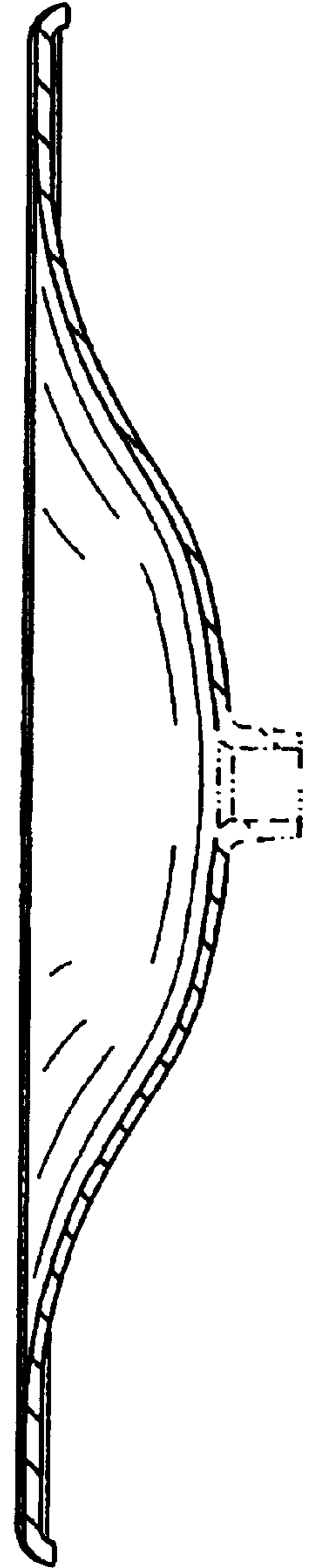
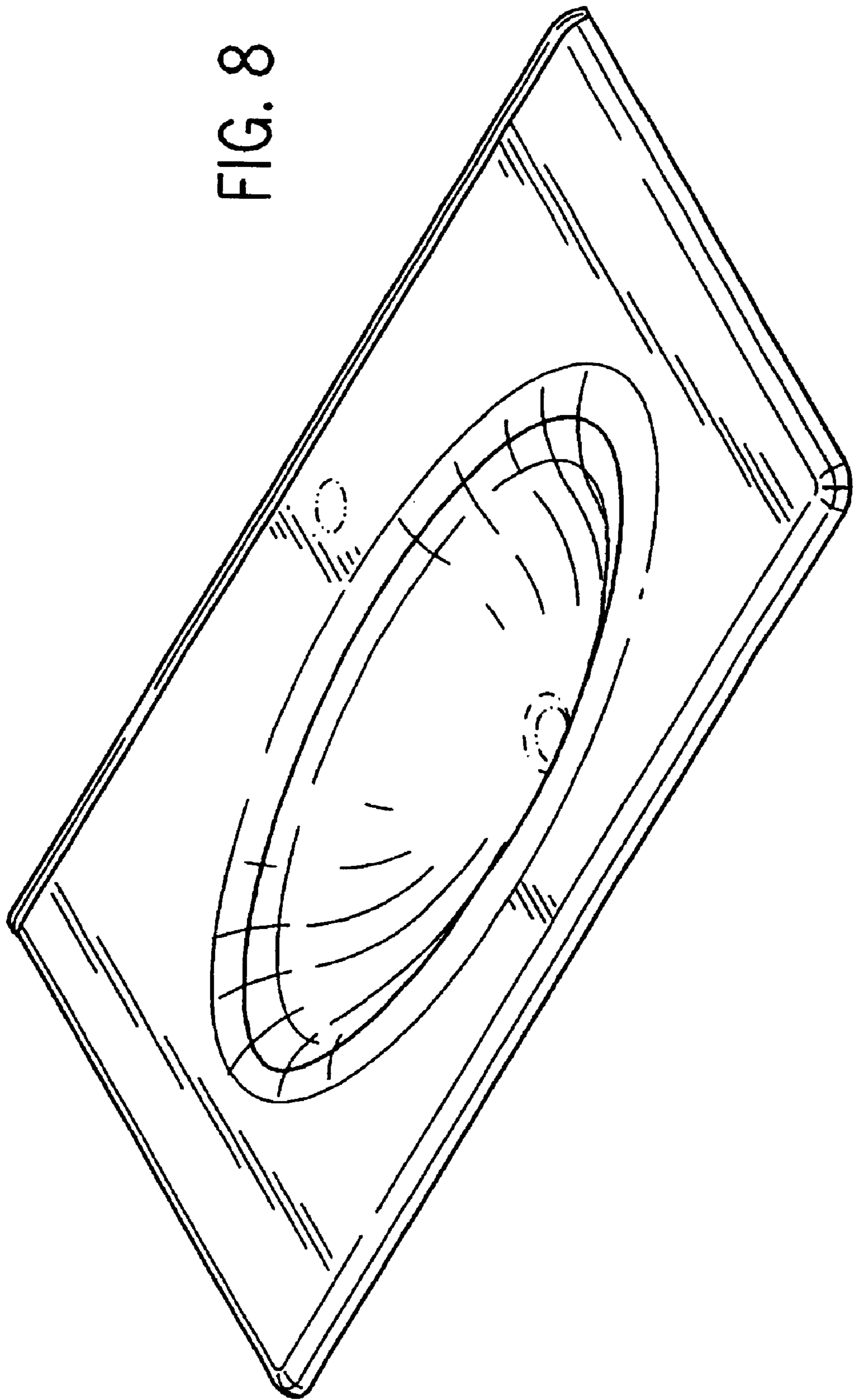


FIG. 8



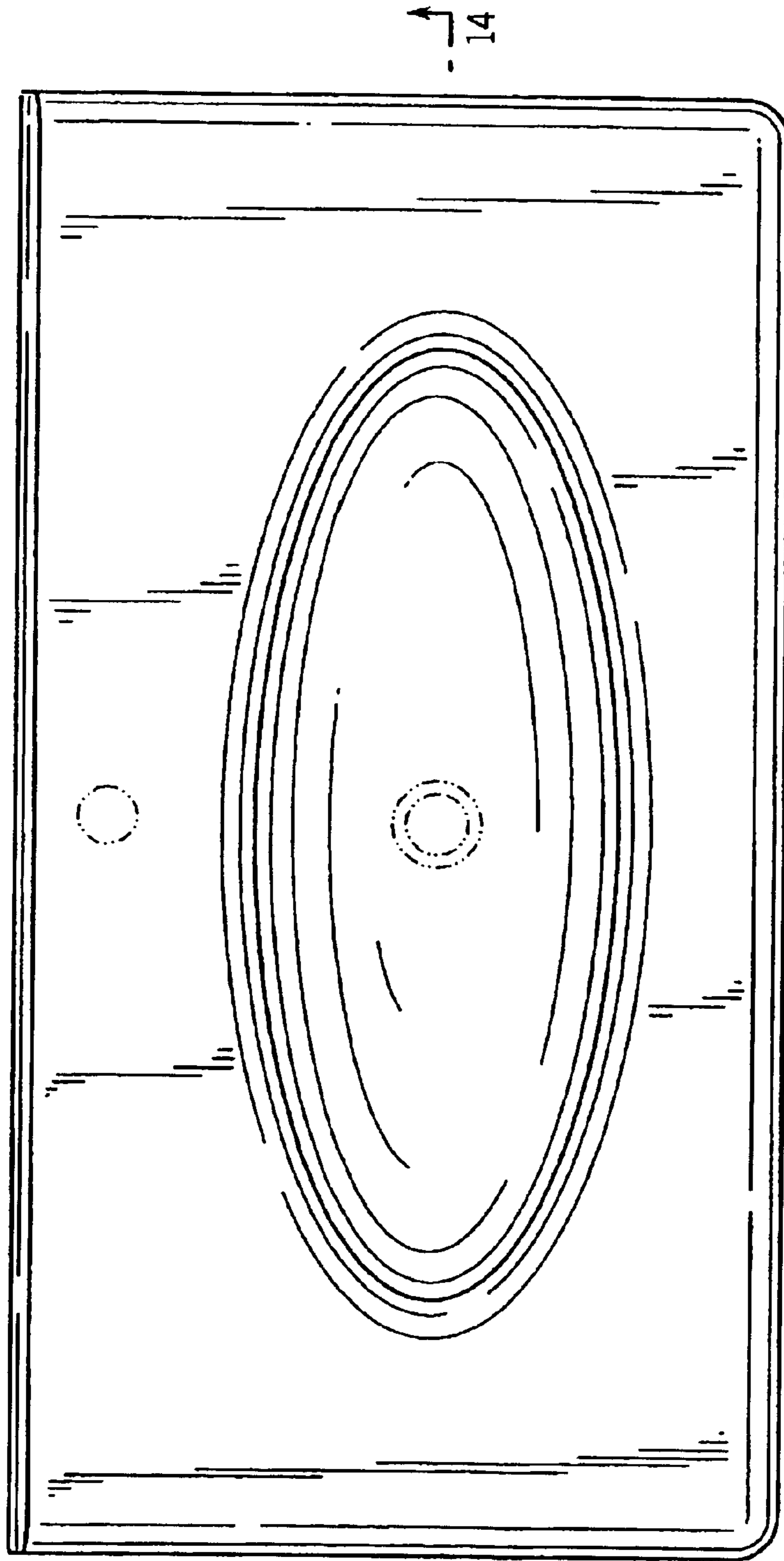


FIG. 9

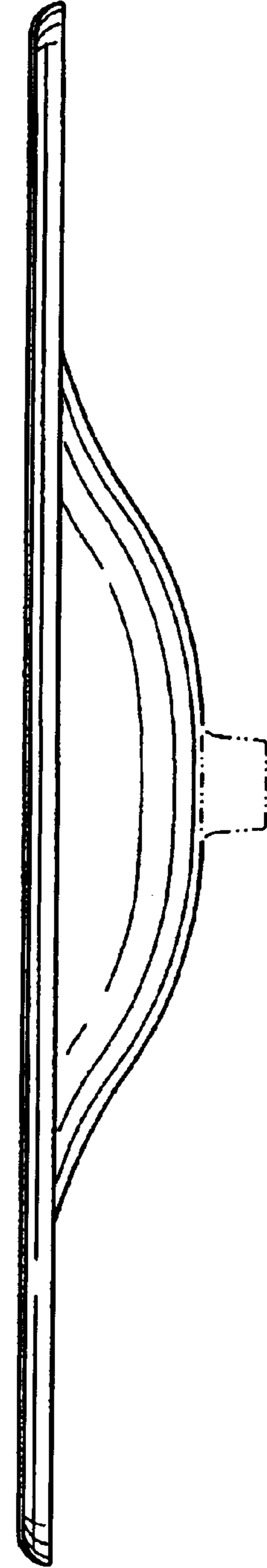


FIG. 10

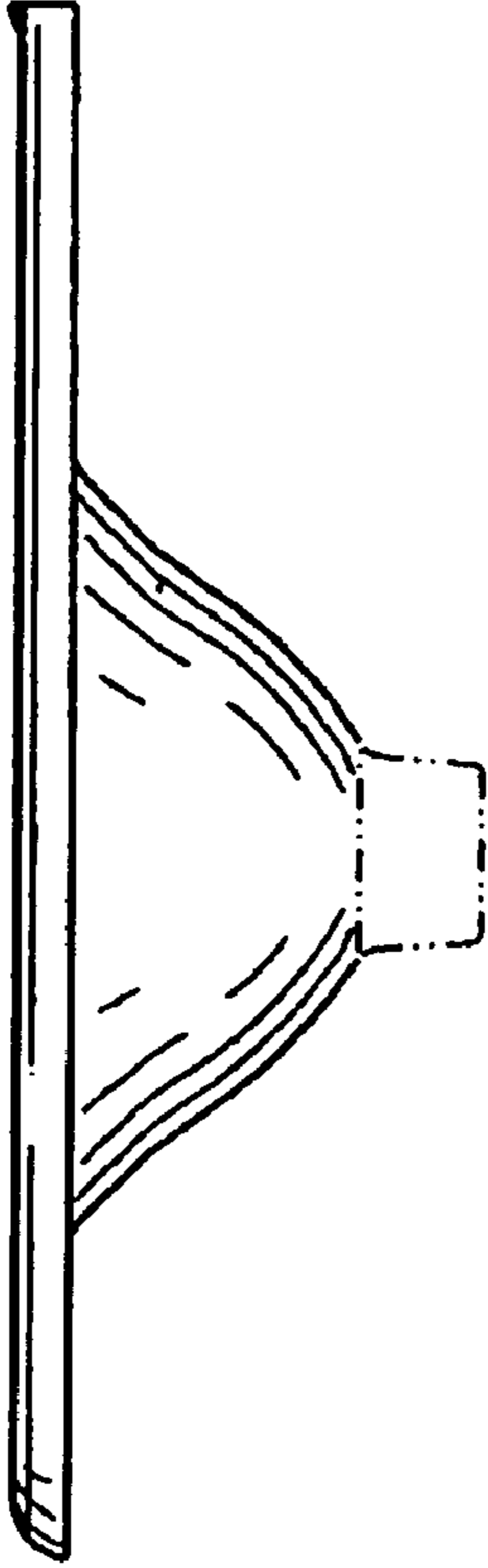


FIG. 11

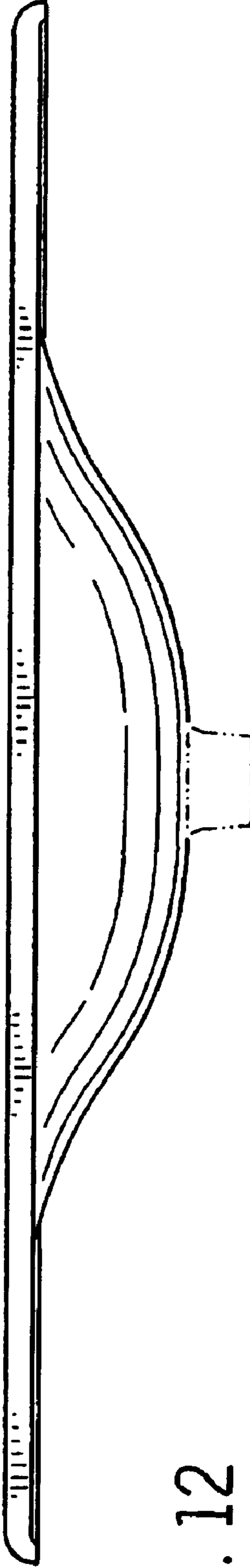


FIG. 12



FIG. 13

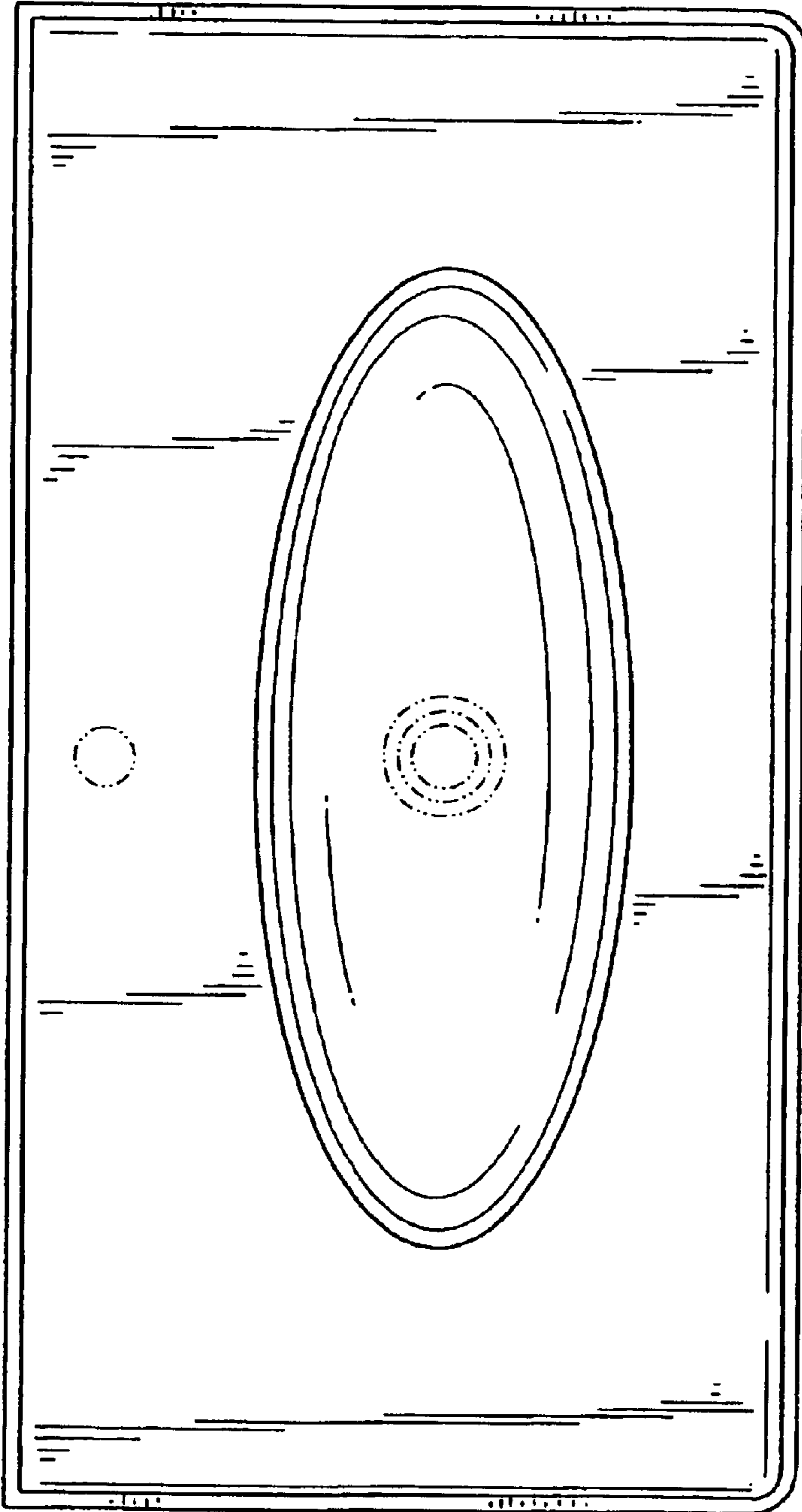


FIG. 14

