



US00D538902S

(12) **United States Design Patent**
Paterson

(10) **Patent No.:** **US D538,902 S**

(45) **Date of Patent:** **** Mar. 20, 2007**

(54) **LAVATORY**

(75) Inventor: **Nicholas W. Paterson**, Sheboygan Falls, WI (US)

(73) Assignee: **Kohler Co.**, Kohler, WI (US)

(**) Term: **14 Years**

(21) Appl. No.: **29/240,446**

(22) Filed: **Oct. 13, 2005**

(51) **LOC (8) Cl.** **23-02**

(52) **U.S. Cl.** **D23/293.1**

(58) **Field of Classification Search** D23/270–271, D23/273, 284–287, 291, 293.1, 303, 308; 4/619, 624–625, 630, 661, DIG. 15; D21/524
See application file for complete search history.

(56) **References Cited**

U.S. PATENT DOCUMENTS

D437,035 S * 1/2001 Roberts D23/284
D499,797 S * 12/2004 Bates D23/284
D506,534 S * 6/2005 Sutopo D23/293.1

OTHER PUBLICATIONS

MARZI website at www.sinksgallery.com showing HB Series Rectangle Basin with Flat Rim “Beaumaniere Limestone”, date printed Sep. 30, 2005.

KOHLER catalog p. 16, showing six sinks.

* cited by examiner

Primary Examiner—Robert A. Delehanty

(74) *Attorney, Agent, or Firm*—Quarles & Brady LLP

(57) **CLAIM**

The ornamental design for a lavatory, as shown and described.

DESCRIPTION

In a preferred embodiment, the nature of this product is as a plumbing fixture in the form of a lavatory which is primarily useful for washing the body parts of humans.

FIG. 1 is a right, top, front perspective view of a lavatory embodying my new design;

FIG. 2 is a top plan view thereof;

FIG. 3 is a front elevational view thereof;

FIG. 4 is a right side elevational view thereof, the left side elevational view thereof being a mirror image of the right side shown;

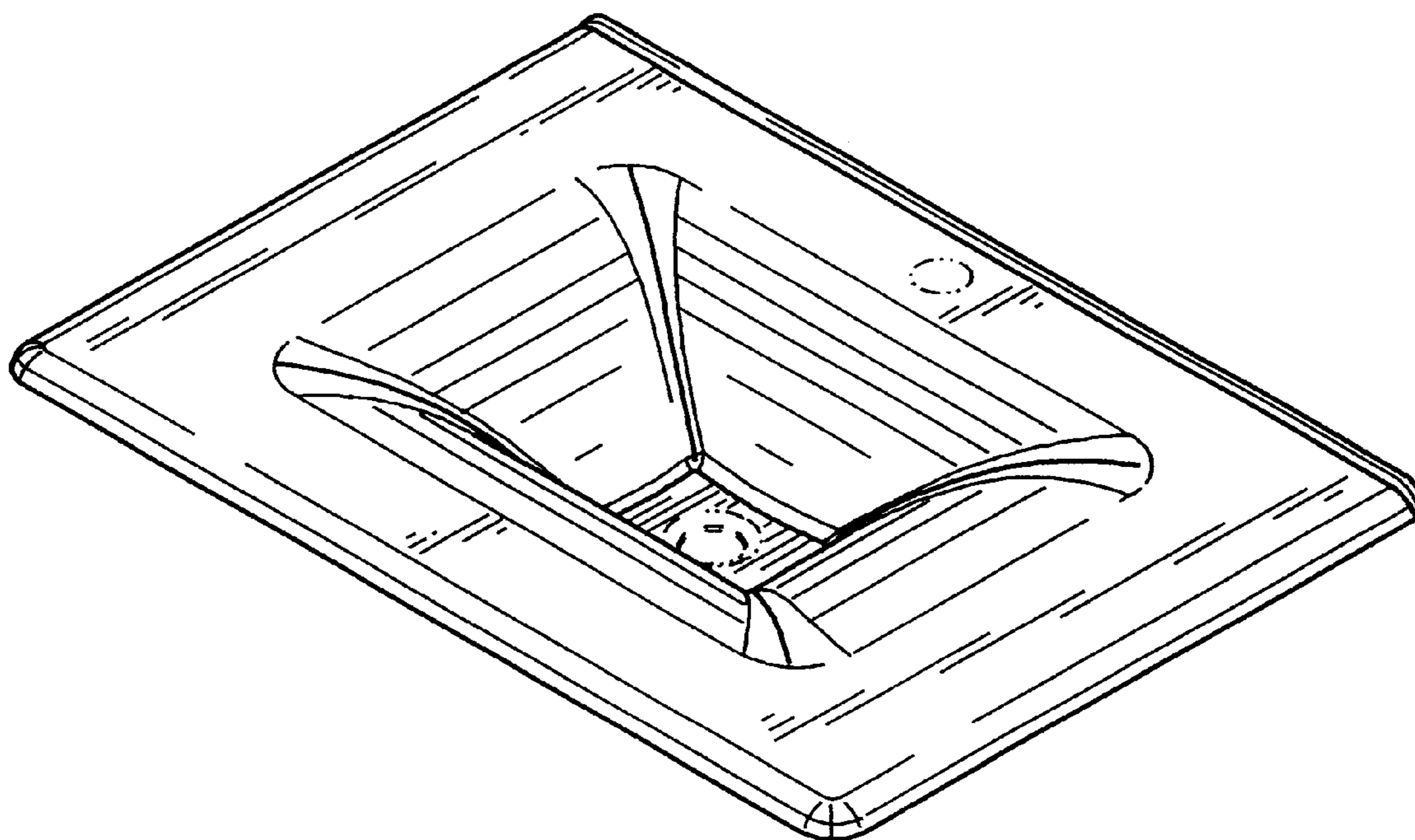
FIG. 5 is a rear elevational view thereof;

FIG. 6 is a bottom plan view thereof; and,

FIG. 7 is a cross sectional view thereof taken along line 7—7 of FIG. 2.

The broken line representations of a drain in FIGS. 1–7 and a mounting hole in FIGS. 1, 2 and 6 are for the purpose of illustration only, and form no part of the claimed design.

1 Claim, 3 Drawing Sheets



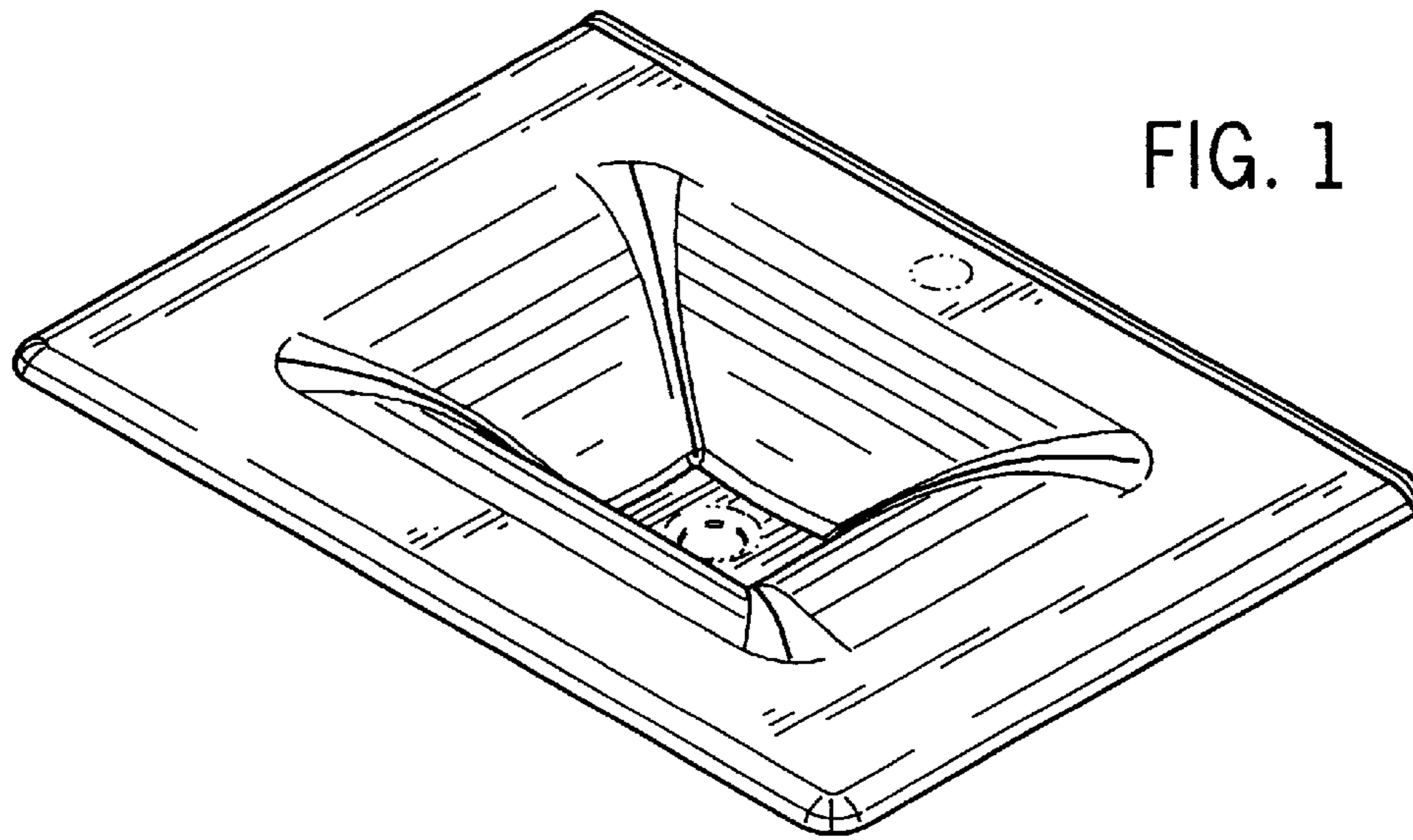
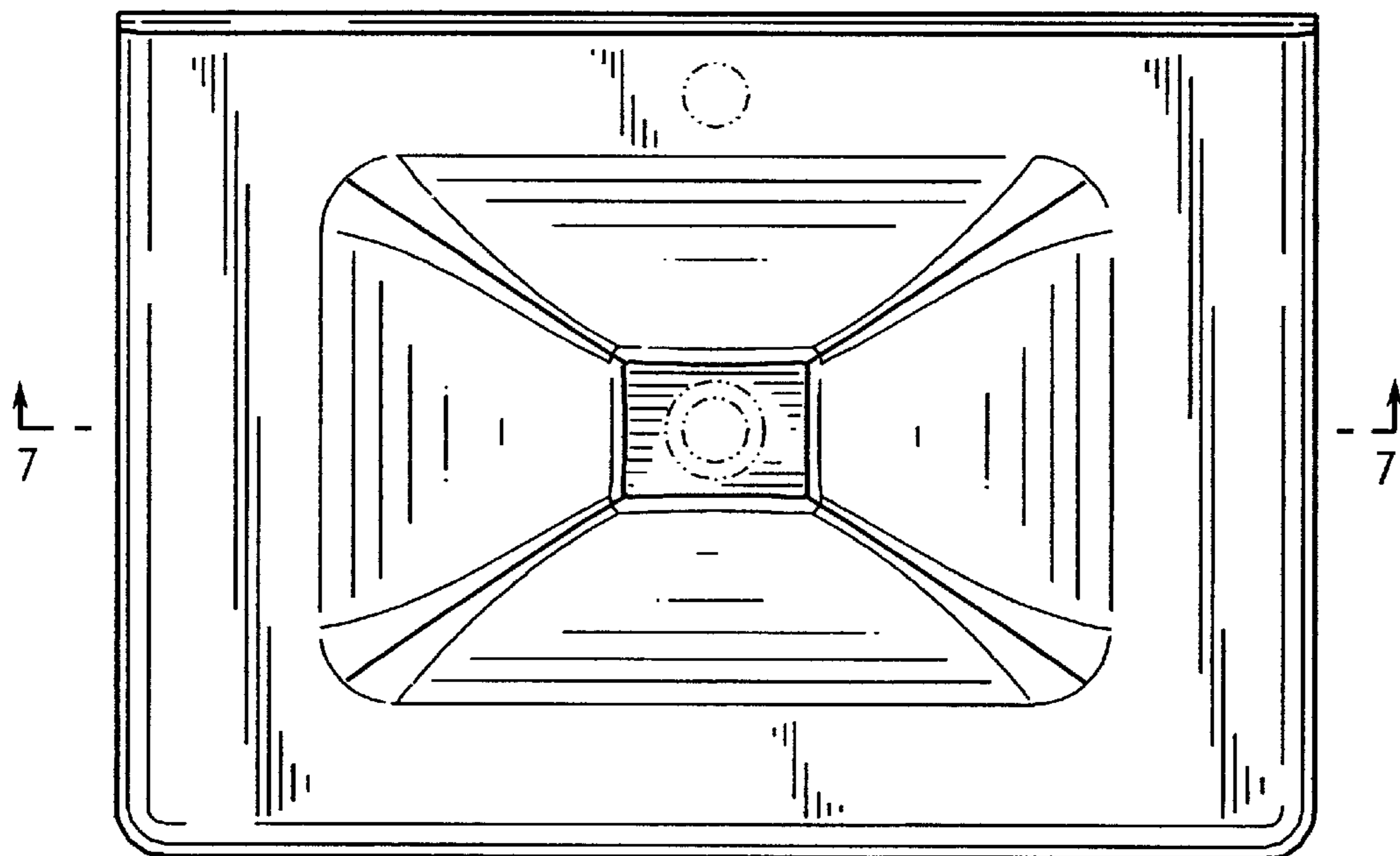


FIG. 1

FIG. 2



↑
7

↑
7

FIG. 3

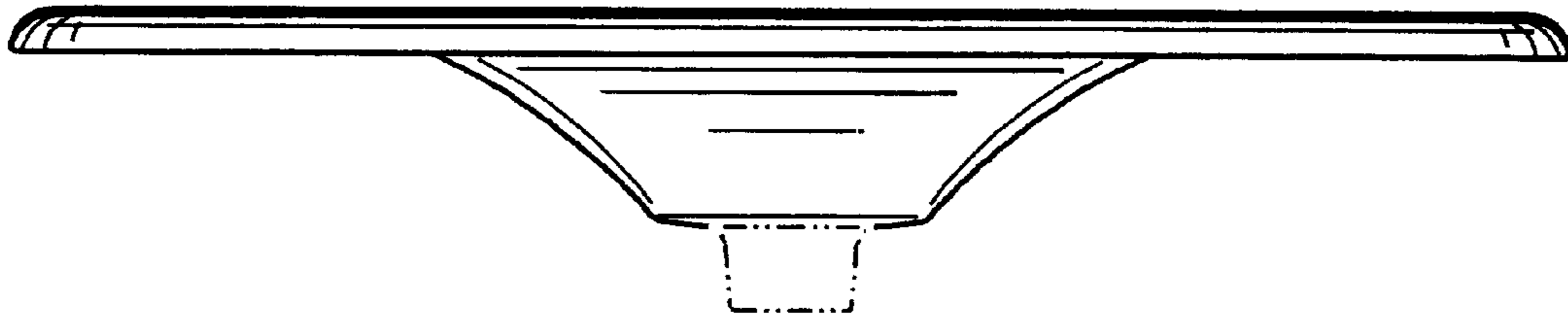


FIG. 4

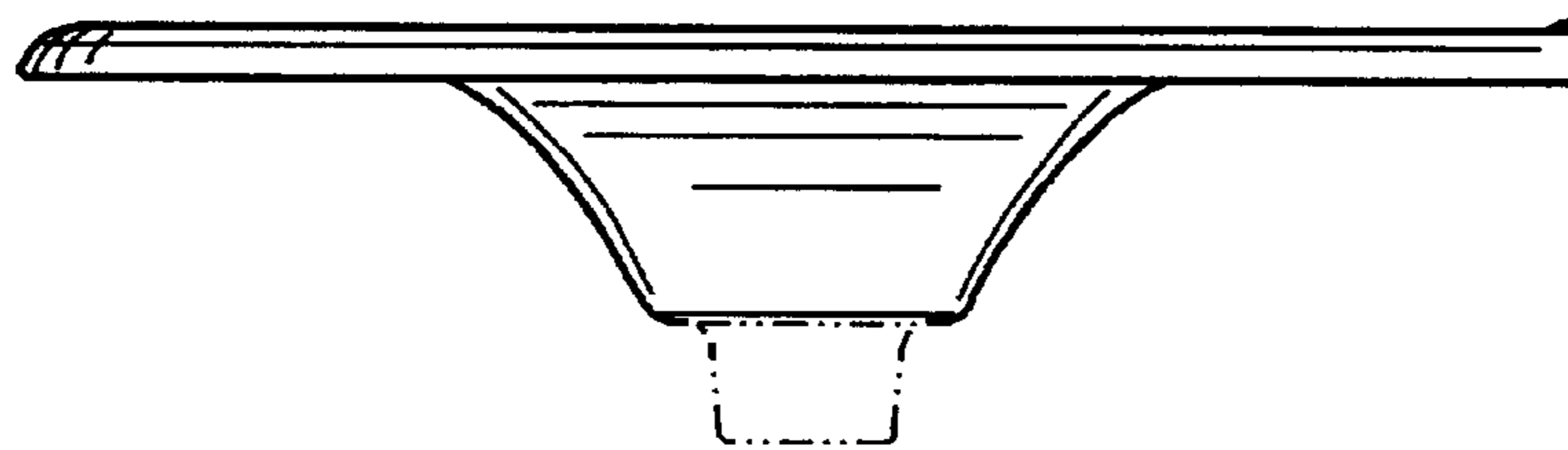


FIG. 5

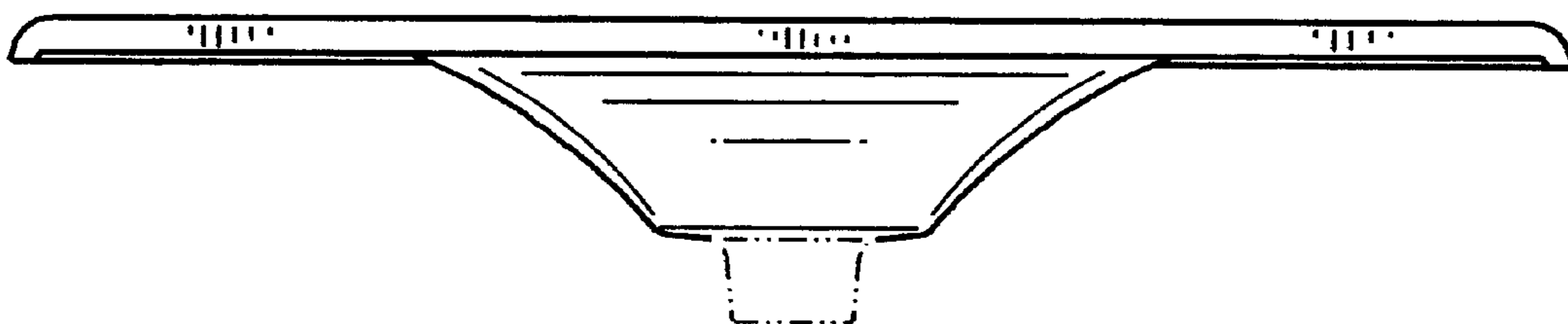


FIG. 6

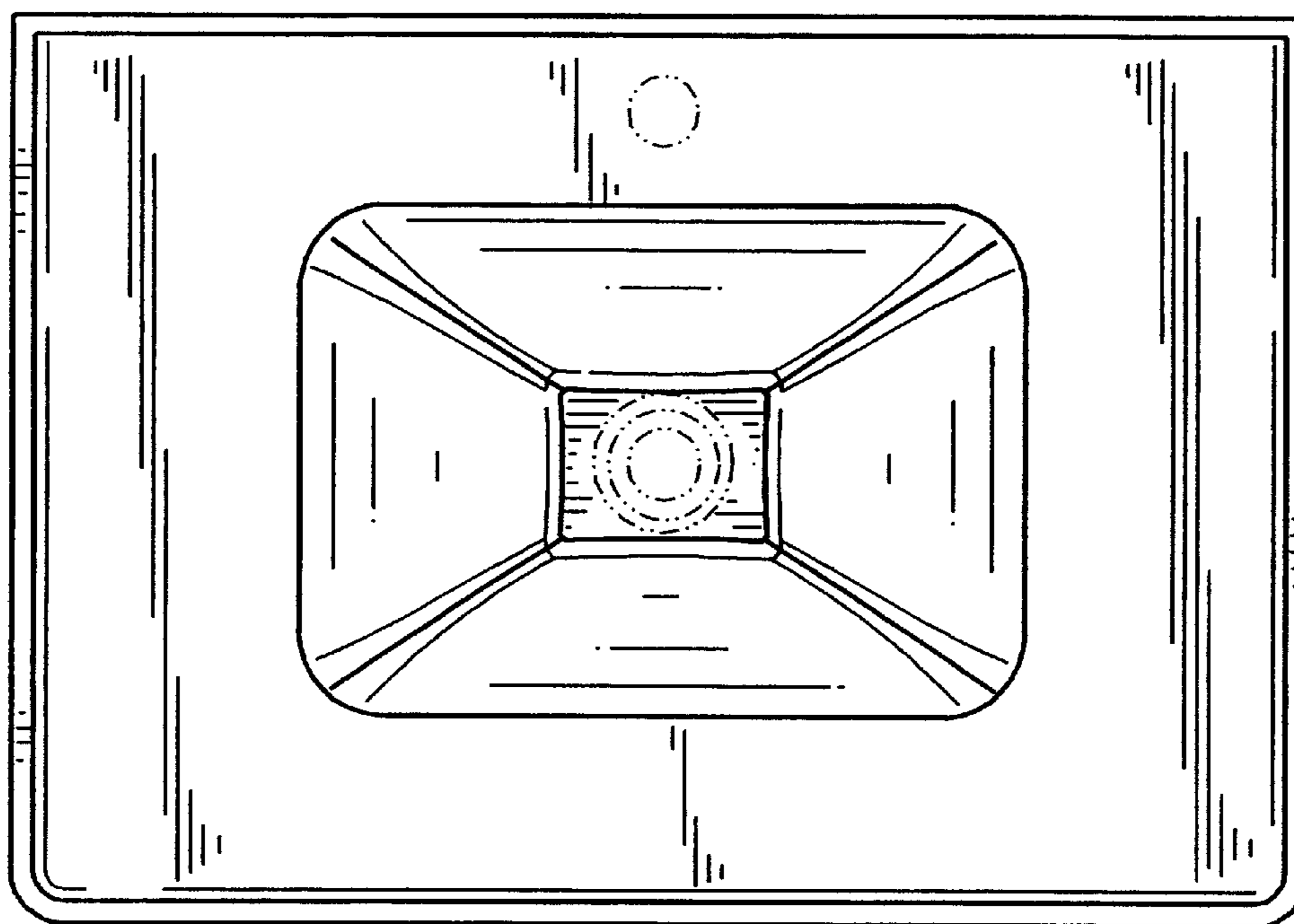


FIG. 7

