



US00D538901S

(12) **United States Design Patent**
Zho

(10) **Patent No.:** **US D538,901 S**

(45) **Date of Patent:** **** Mar. 20, 2007**

(54) **SINK**

D355,949 S * 2/1995 Laughton D23/284
D361,830 S * 8/1995 Segenschmid D23/293.1

(75) Inventor: **Lisa Zho**, Weifang (CN)

* cited by examiner

(73) Assignee: **Globe Union Industrial Corp.**,
Taichung Hsien (TW)

Primary Examiner—Robert A. Delehanty
(74) *Attorney, Agent, or Firm*—Leong C. Lei

(**) Term: **14 Years**

(57) **CLAIM**

(21) Appl. No.: **29/232,308**

The ornamental design for a sink, as shown and described.

(22) Filed: **Jun. 17, 2005**

DESCRIPTION

(51) **LOC (8) Cl.** **23-02**

FIG. 1 is a front perspective view of a sink showing my new design;

(52) **U.S. Cl.** **D23/293.1**

FIG. 2 is a front elevational view thereof;

(58) **Field of Classification Search** D23/270–271,

FIG. 3 is a rear elevational view thereof;

D23/273, 284–287, 291, 293.1, 303, 308;

FIG. 4 is a left side elevational view thereof;

4/619, 624–625, 630, 661, DIG. 15; D21/524

FIG. 5 is a right side elevational view thereof;

See application file for complete search history.

FIG. 6 is a top plan view thereof;

FIG. 7 is a bottom plan view thereof; and,

FIG. 8 is a front perspective view, shown with the stand engaged.

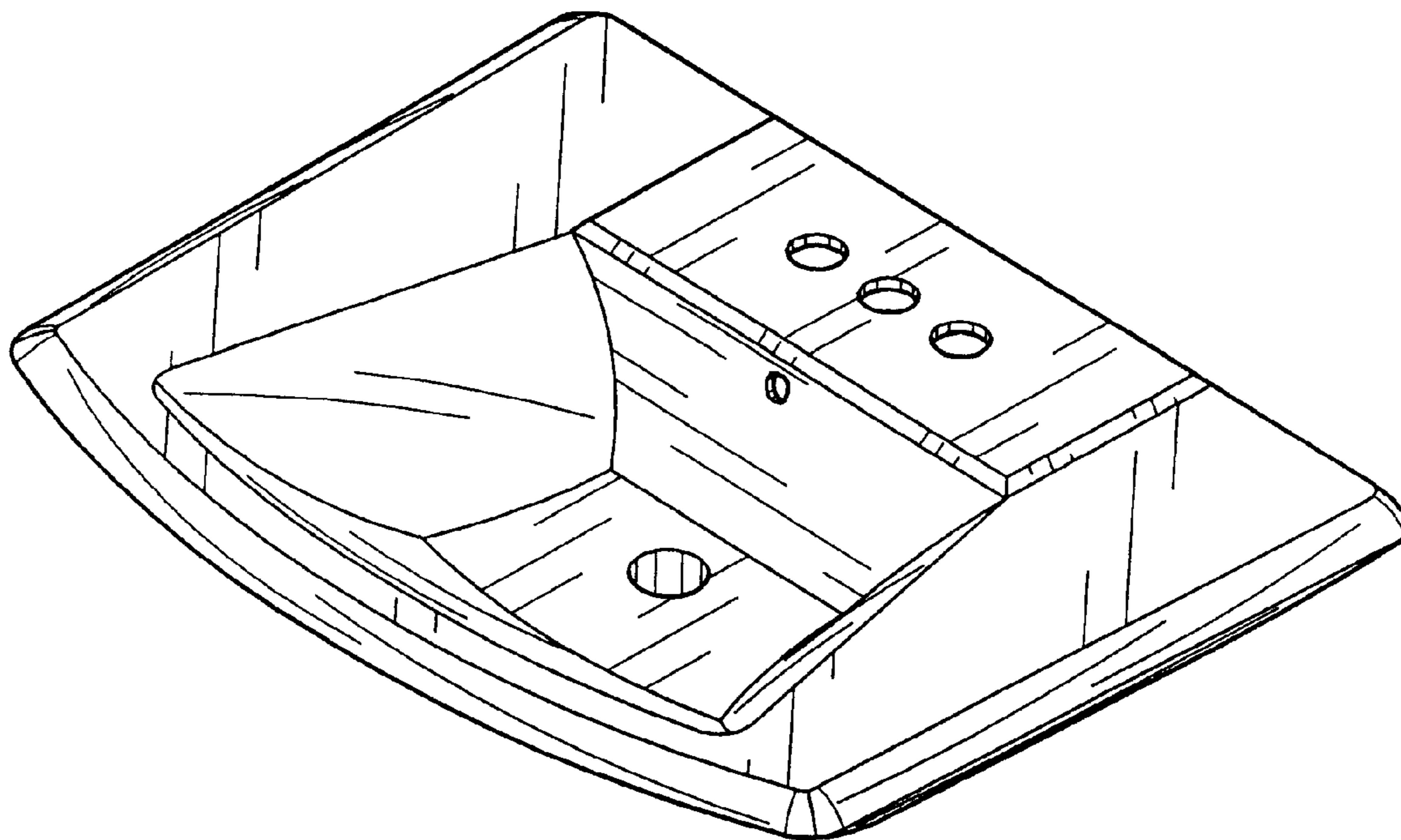
The dotted line showing of the stand is for illustrative purposes only and forms no part of the claimed design.

(56) **References Cited**

U.S. PATENT DOCUMENTS

2,185,186 A * 1/1940 Cordes 4/619
D273,980 S * 5/1984 Kaiser D23/292
D337,376 S * 7/1993 Ragonot D23/284

1 Claim, 5 Drawing Sheets



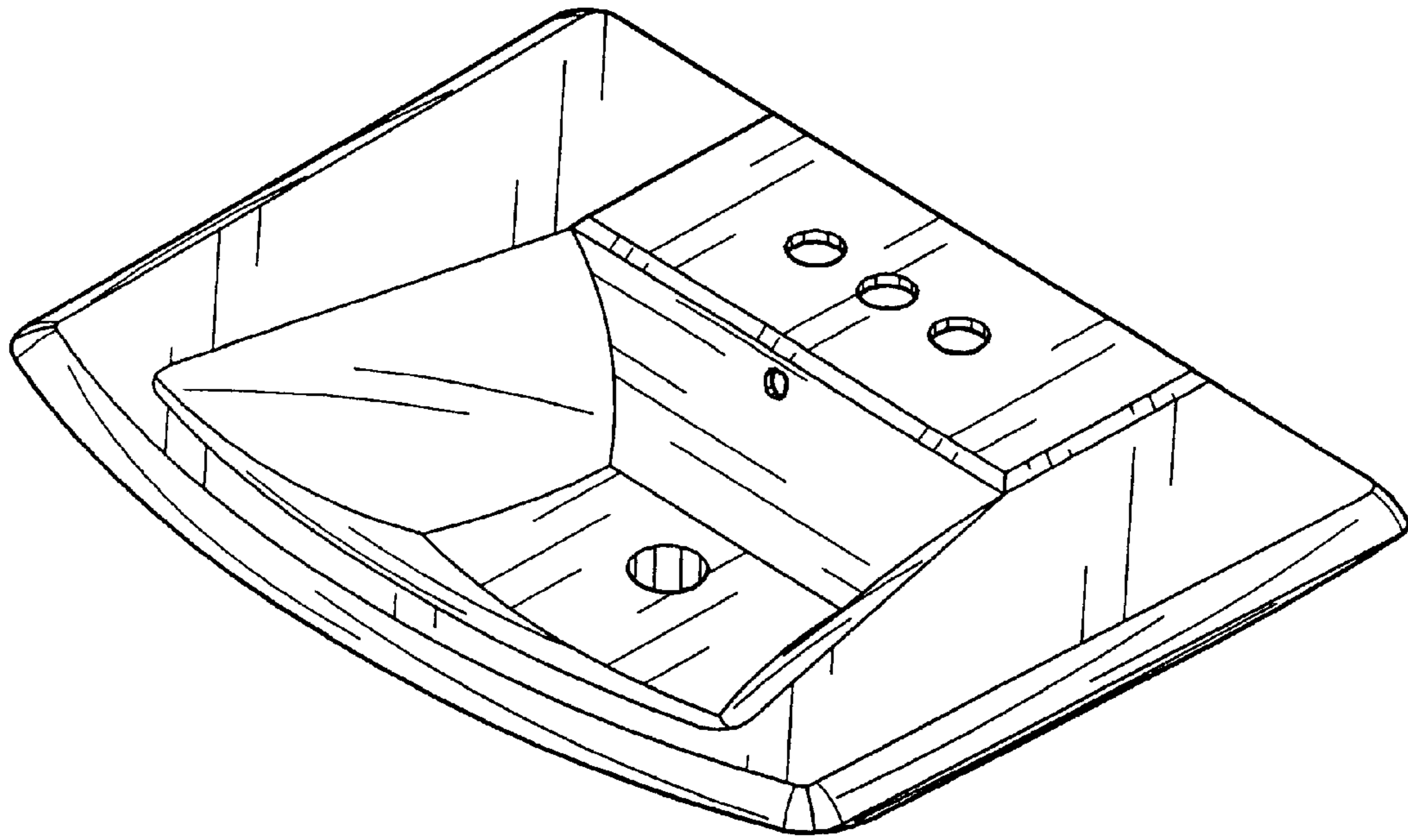


FIG. 1

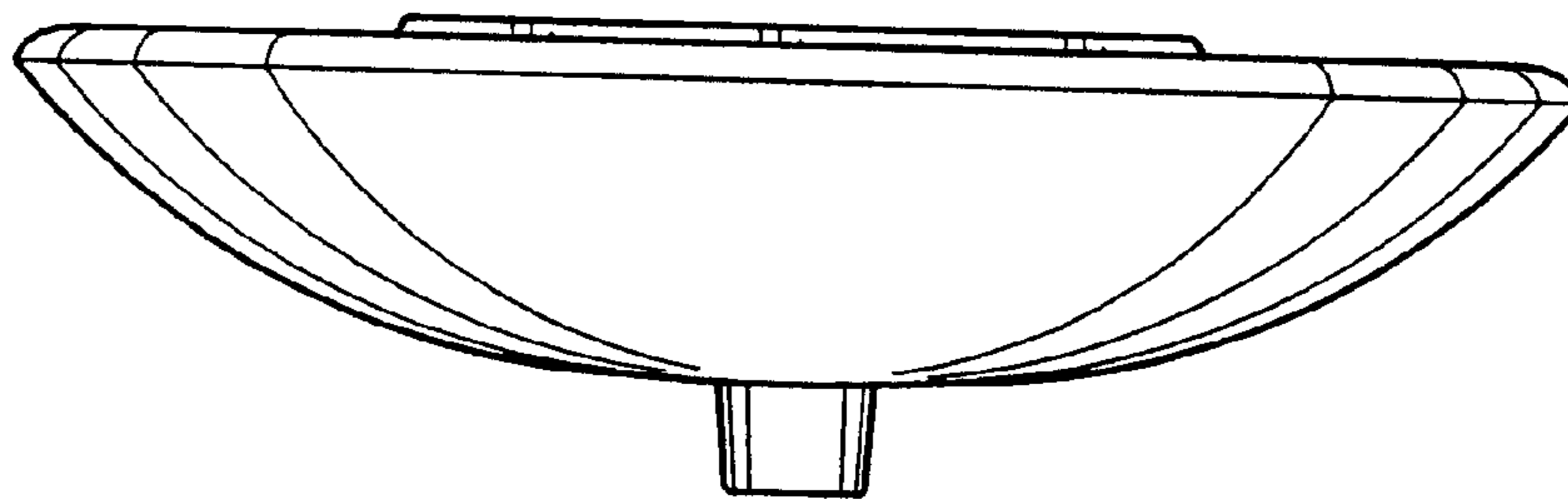


FIG. 2

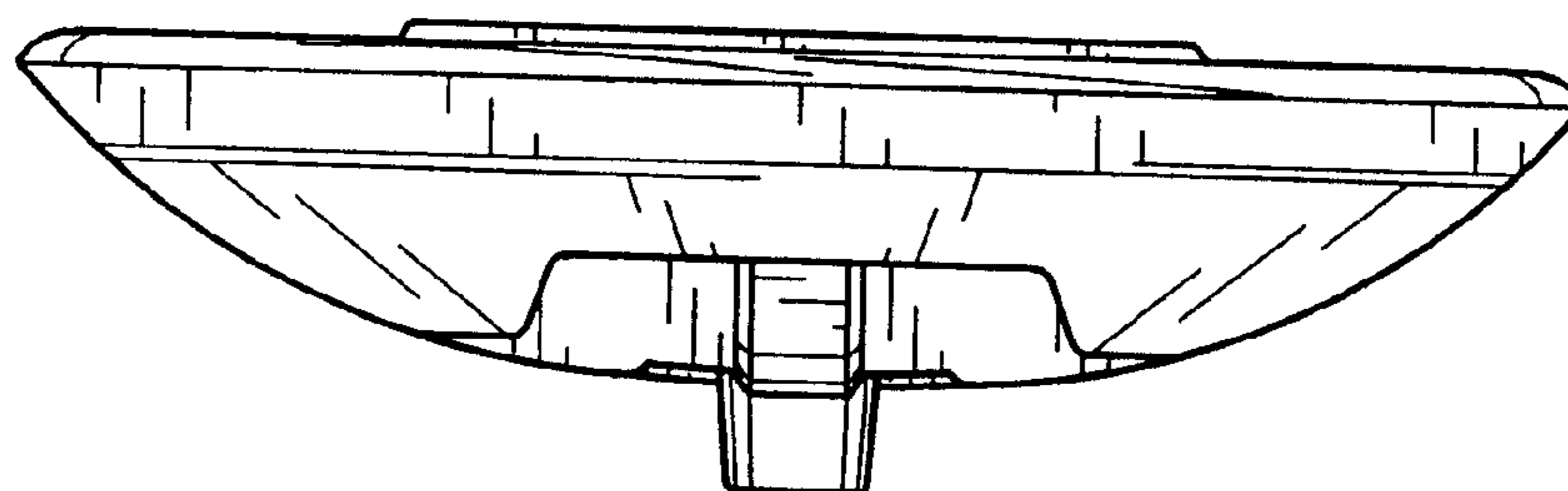


FIG. 3

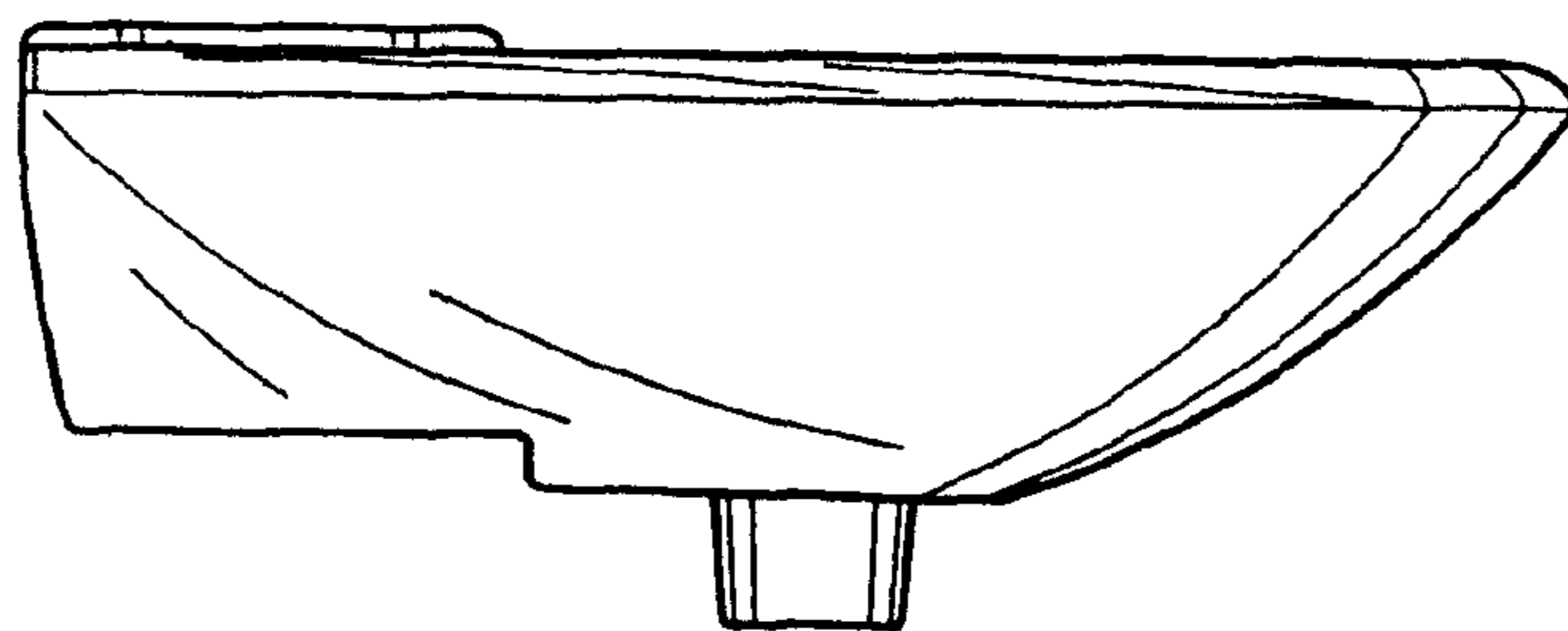


FIG. 4

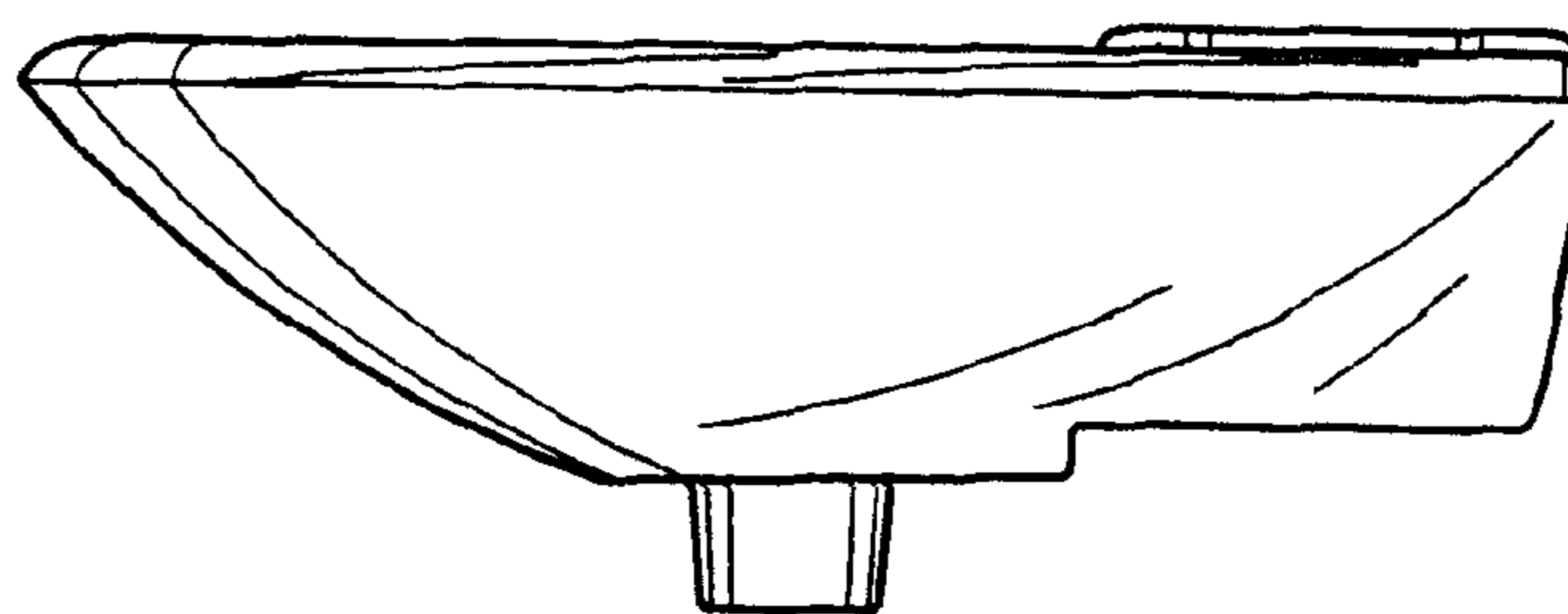


FIG. 5

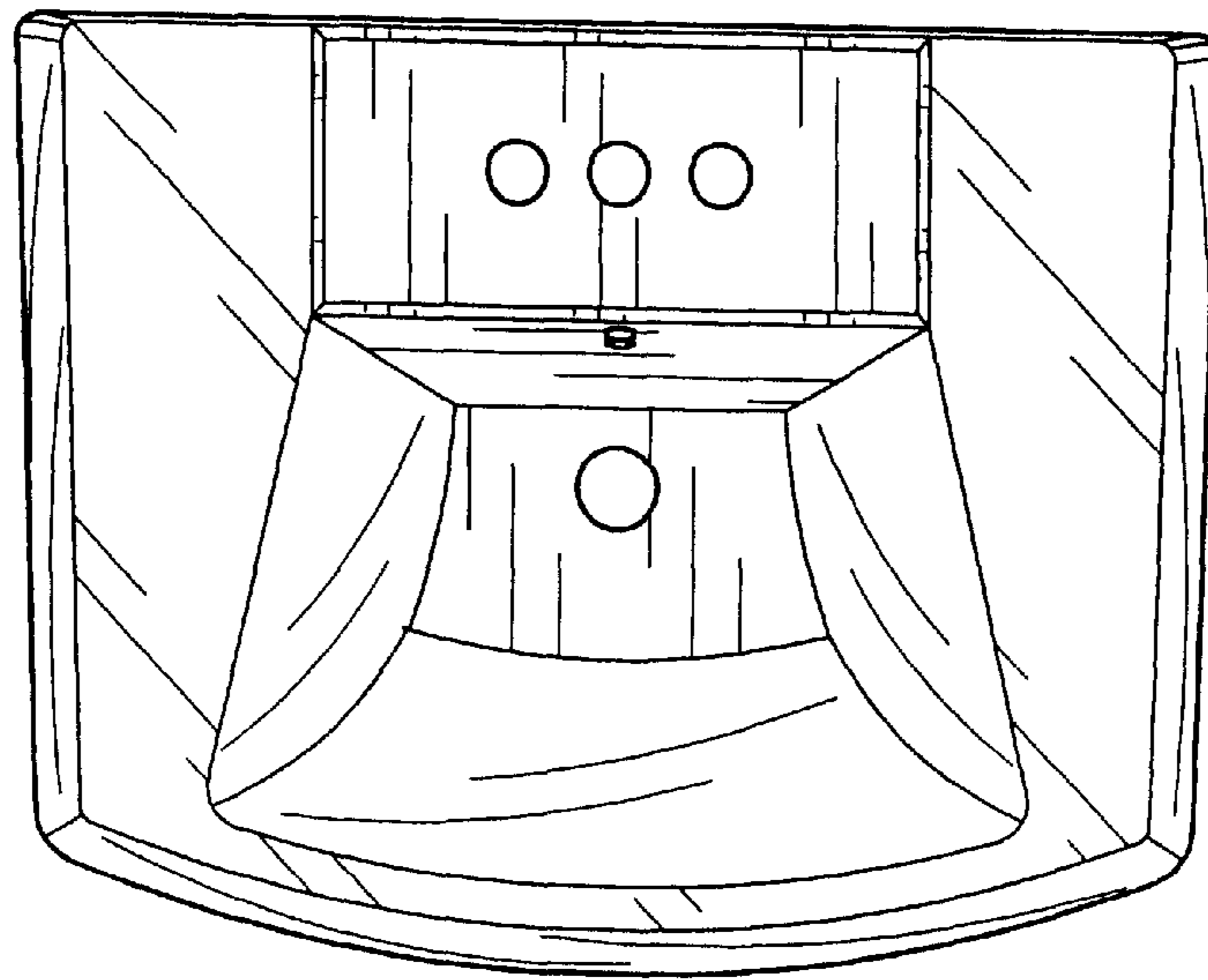


FIG. 6

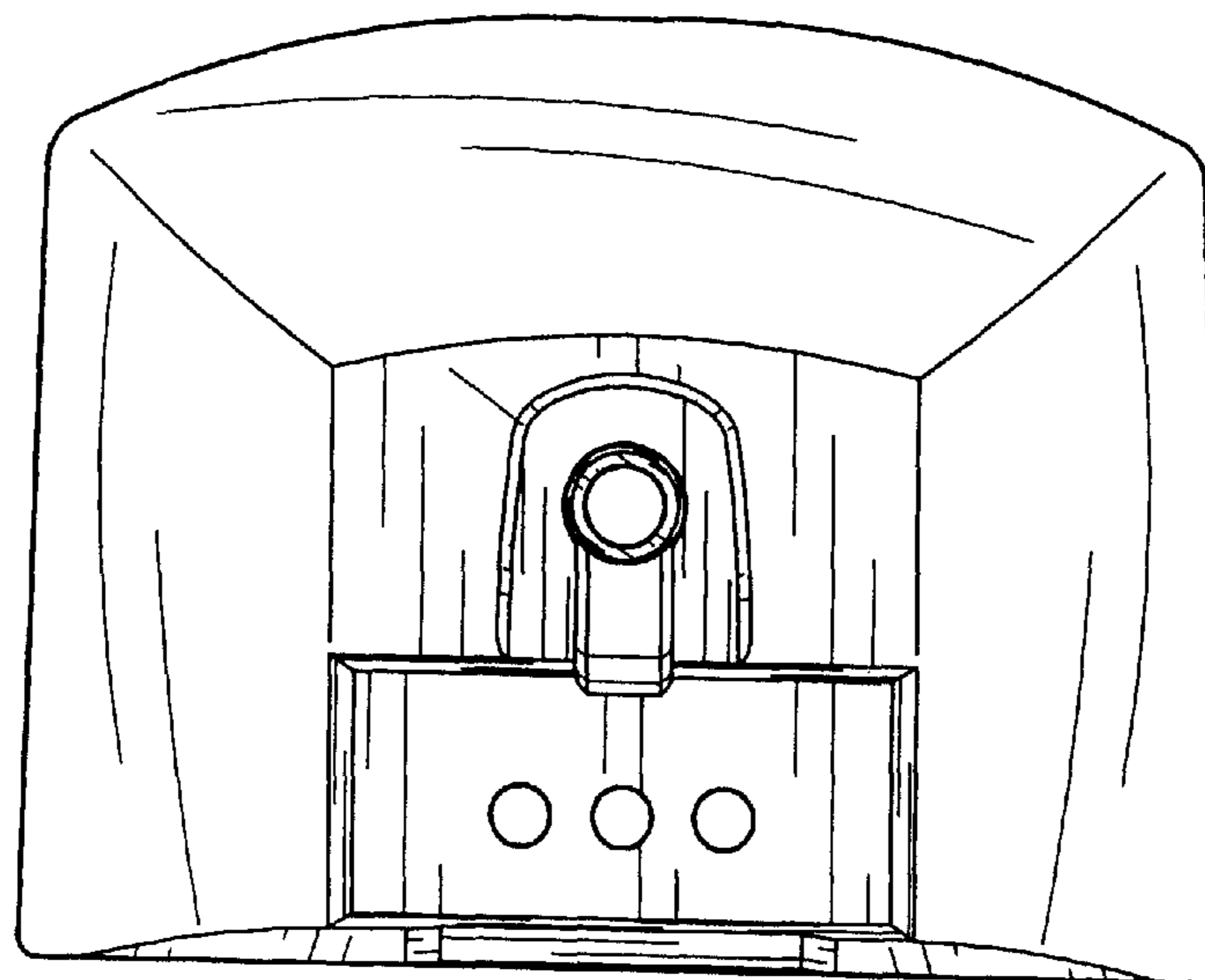


FIG. 7

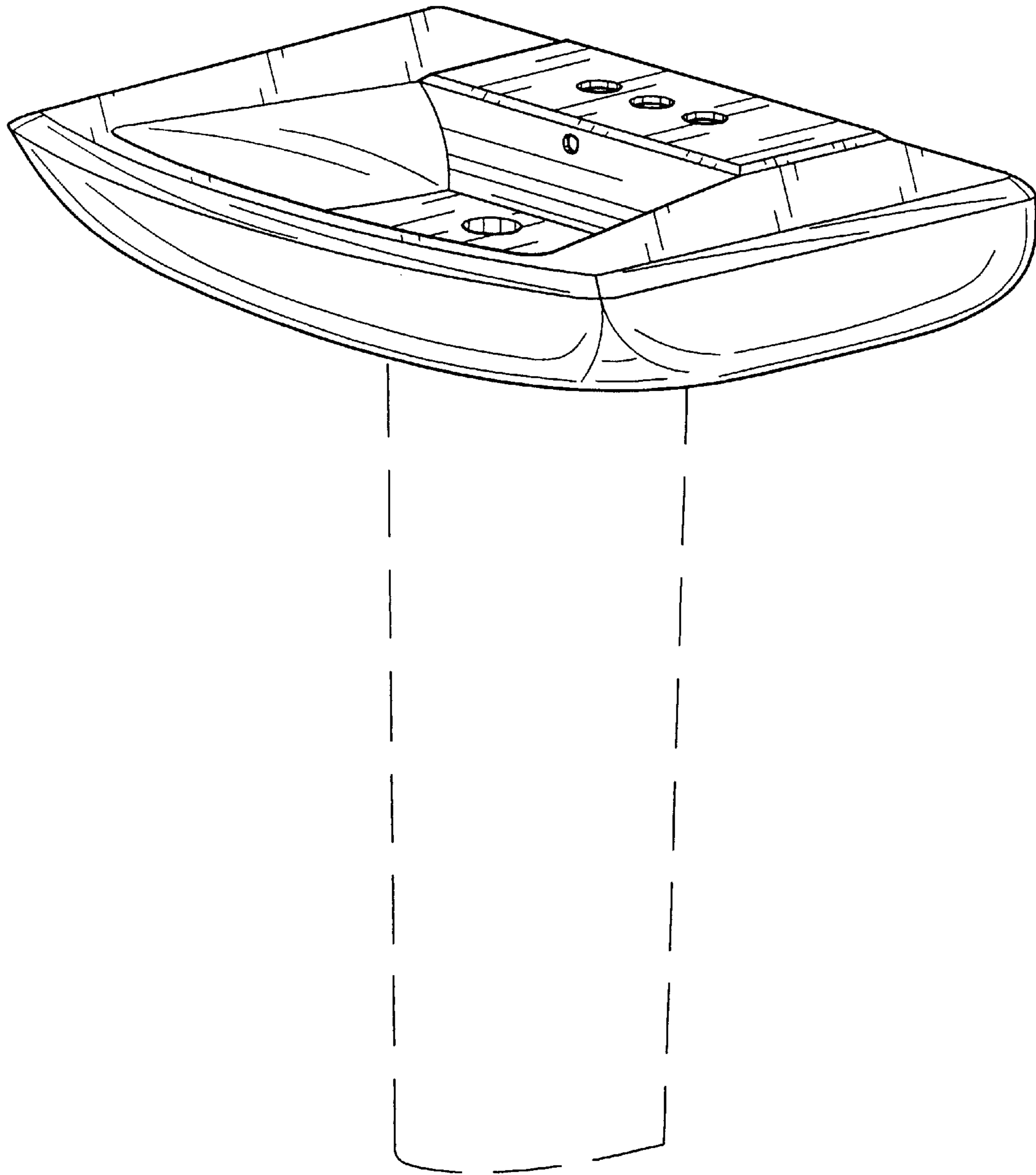


FIG. 8