



US00D538899S

(12) **United States Design Patent**
Mayer

(10) **Patent No.:** **US D538,899 S**
(45) **Date of Patent:** **** Mar. 20, 2007**

(54) **VANITY**

(76) **Inventor:** **Robert H. Mayer**, c/o Deco Lav, Inc.
424 SW. 12th Ave., Deerfield Beach, FL
(US) 33442

(**) **Term:** **14 Years**

(21) **Appl. No.:** **29/234,710**

(22) **Filed:** **Jul. 20, 2005**

(51) **LOC (8) Cl.** **23-02**

(52) **U.S. Cl.** **D23/286**

(58) **Field of Classification Search** D23/273,
D23/284-290, 293.1, 303, 308; 4/619-620,
4/624-625, 630-631, 661; 312/140.1-140.3,
312/204, 228; D6/398, 432-434, 441, 445-448,
D6/509-510

See application file for complete search history.

(56) **References Cited**

U.S. PATENT DOCUMENTS

D455,475 S	*	4/2002	Jones et al.	D23/286
D479,315 S	*	9/2003	Basey	D23/286
D508,982 S	*	8/2005	Mayer	D23/286

OTHER PUBLICATIONS

Carl's Furniture, Vanity, undated photograph.

* cited by examiner

Primary Examiner—Robert A. Delehanty
(74) *Attorney, Agent, or Firm*—Fross Zelnick Lehrman &
Zissu, P.C.; David I. Greenbaum, Esq.; Lawrence E.
Apolzon, Esq.

(57) **CLAIM**

The ornamental design for a vanity, as shown and described.

DESCRIPTION

FIG. 1 is a front perspective view of a vanity showing my new design;

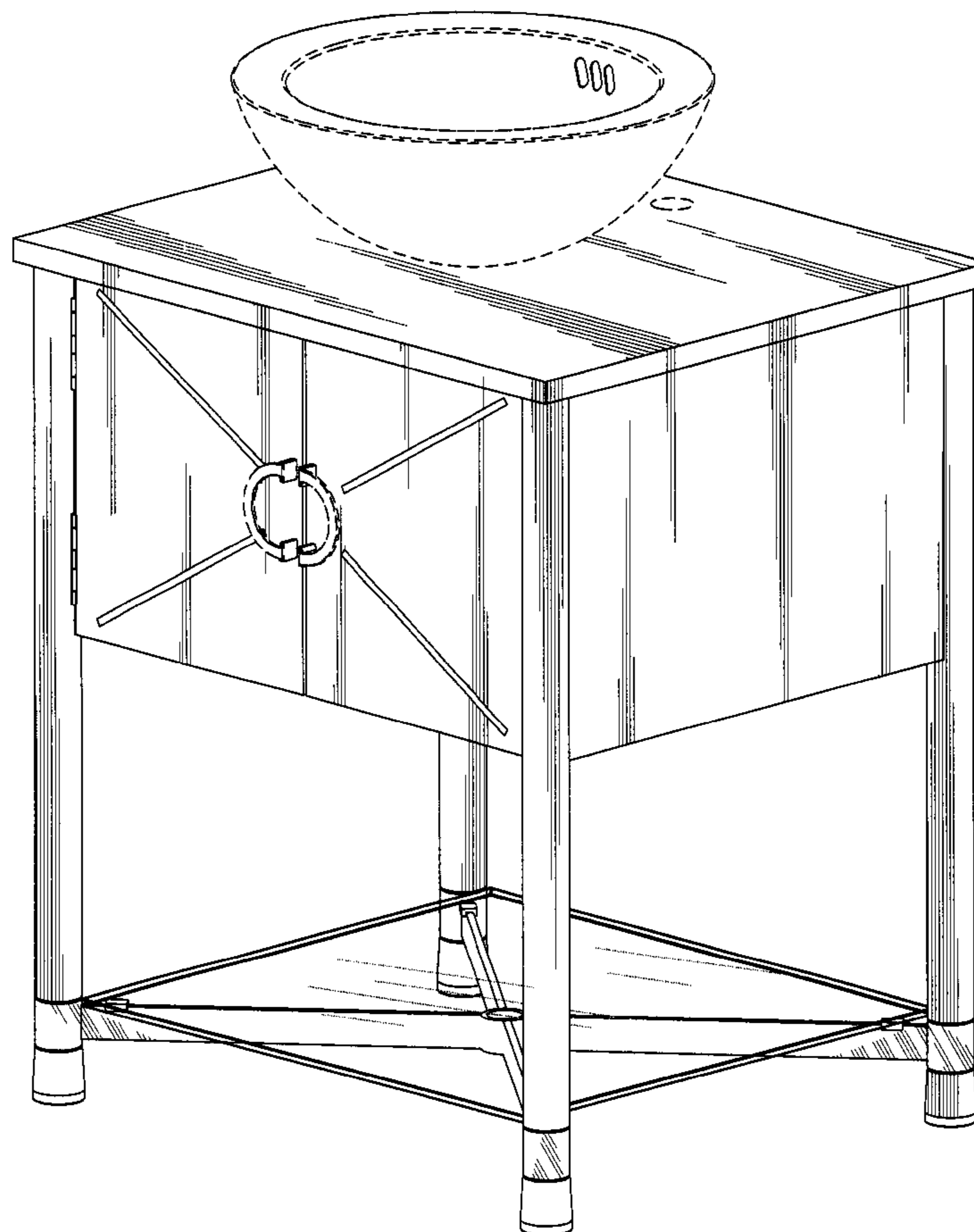
FIG. 2 is a front view of the vanity shown in FIG. 1;

FIG. 3 is a right side view of the vanity shown in FIG. 1 (with the left side view being a mirror image); and,

FIG. 4 is a top view of the vanity shown in FIG. 1.

The broken line showing of the faucet hole, drain hole, spillover holes, sink, and handles is for illustrative purposes only and forms no part of the claimed design. The back of the vanity is plain and unornamented.

1 Claim, 4 Drawing Sheets



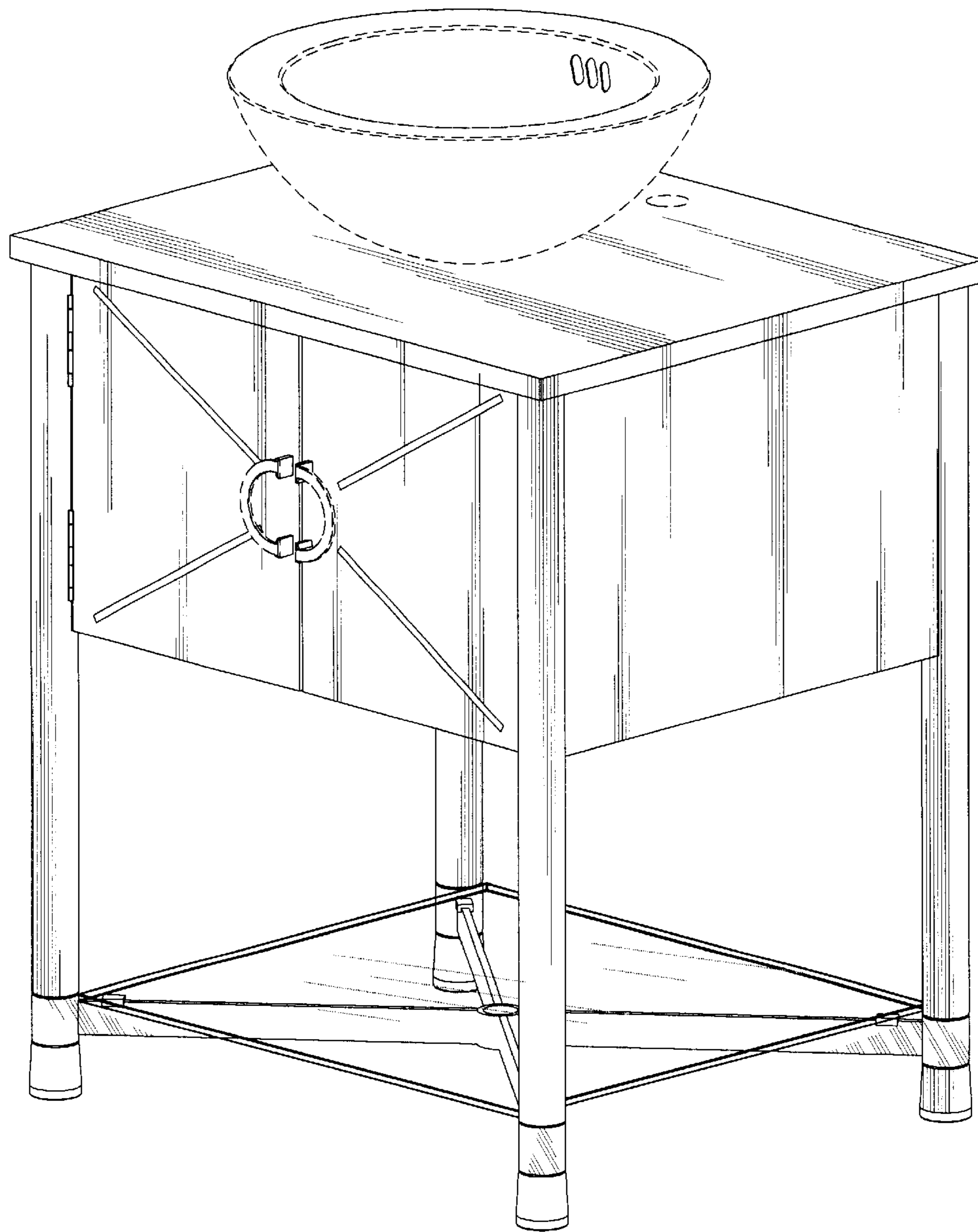


FIG. 1

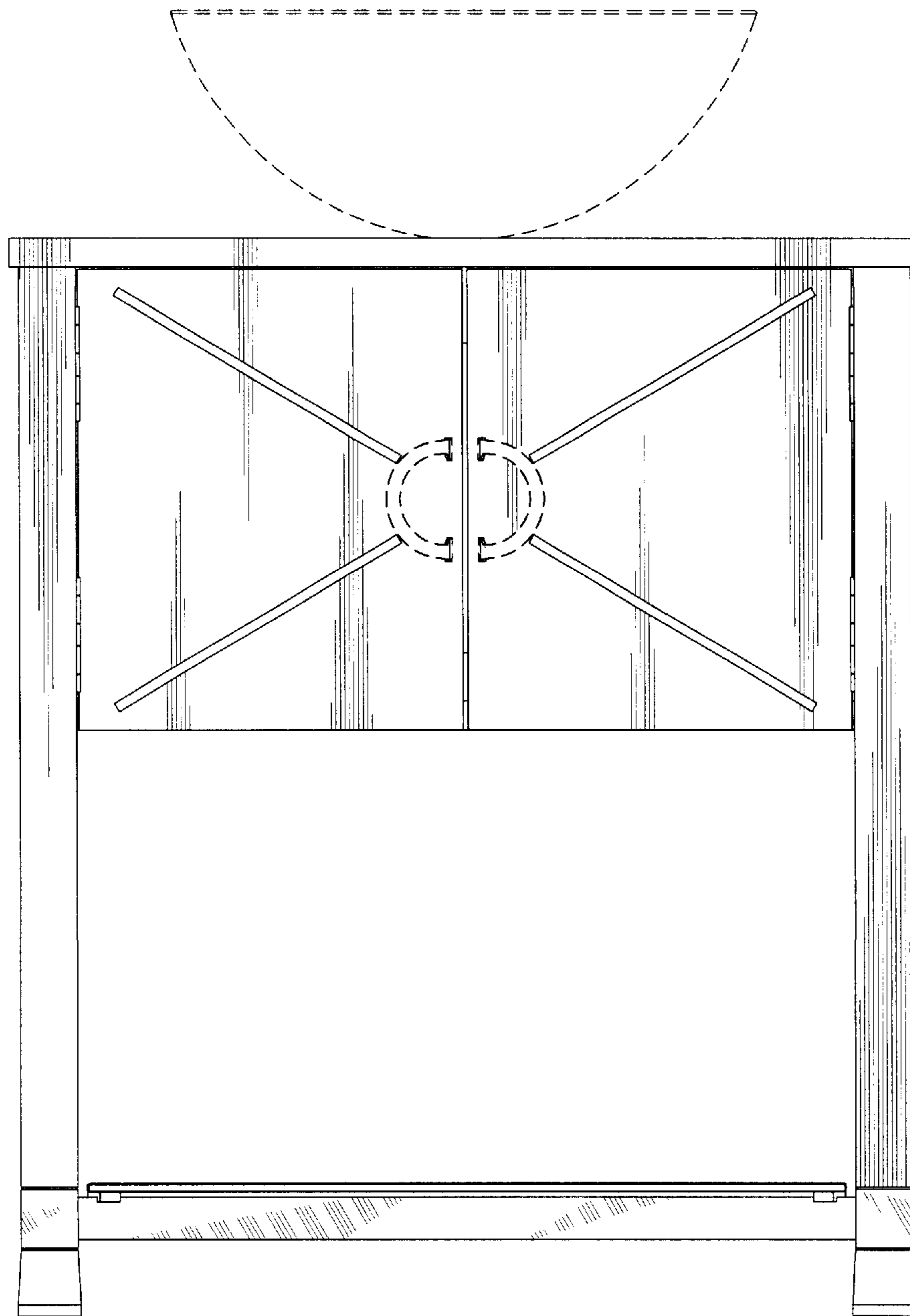


FIG. 2

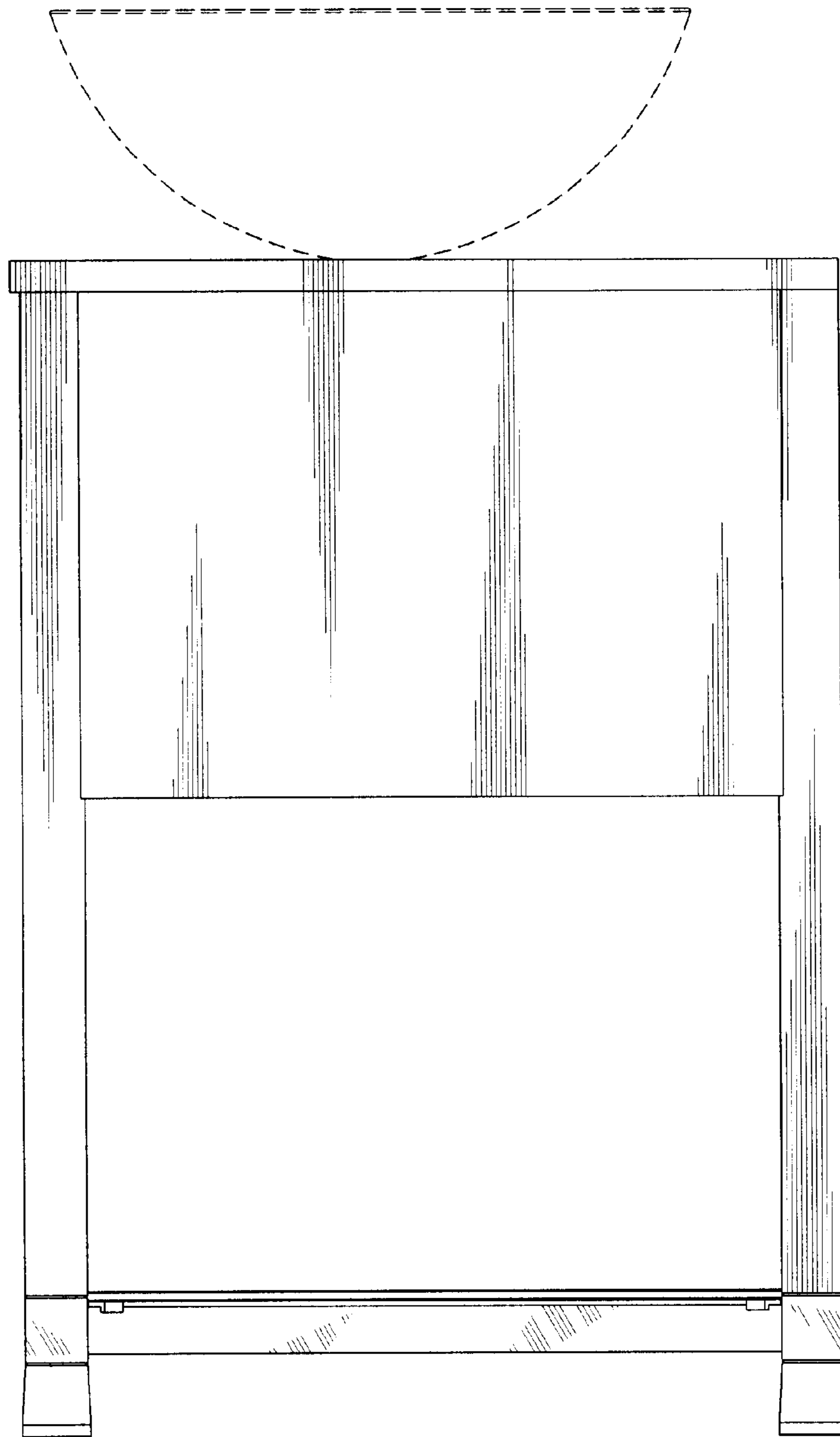


FIG. 3

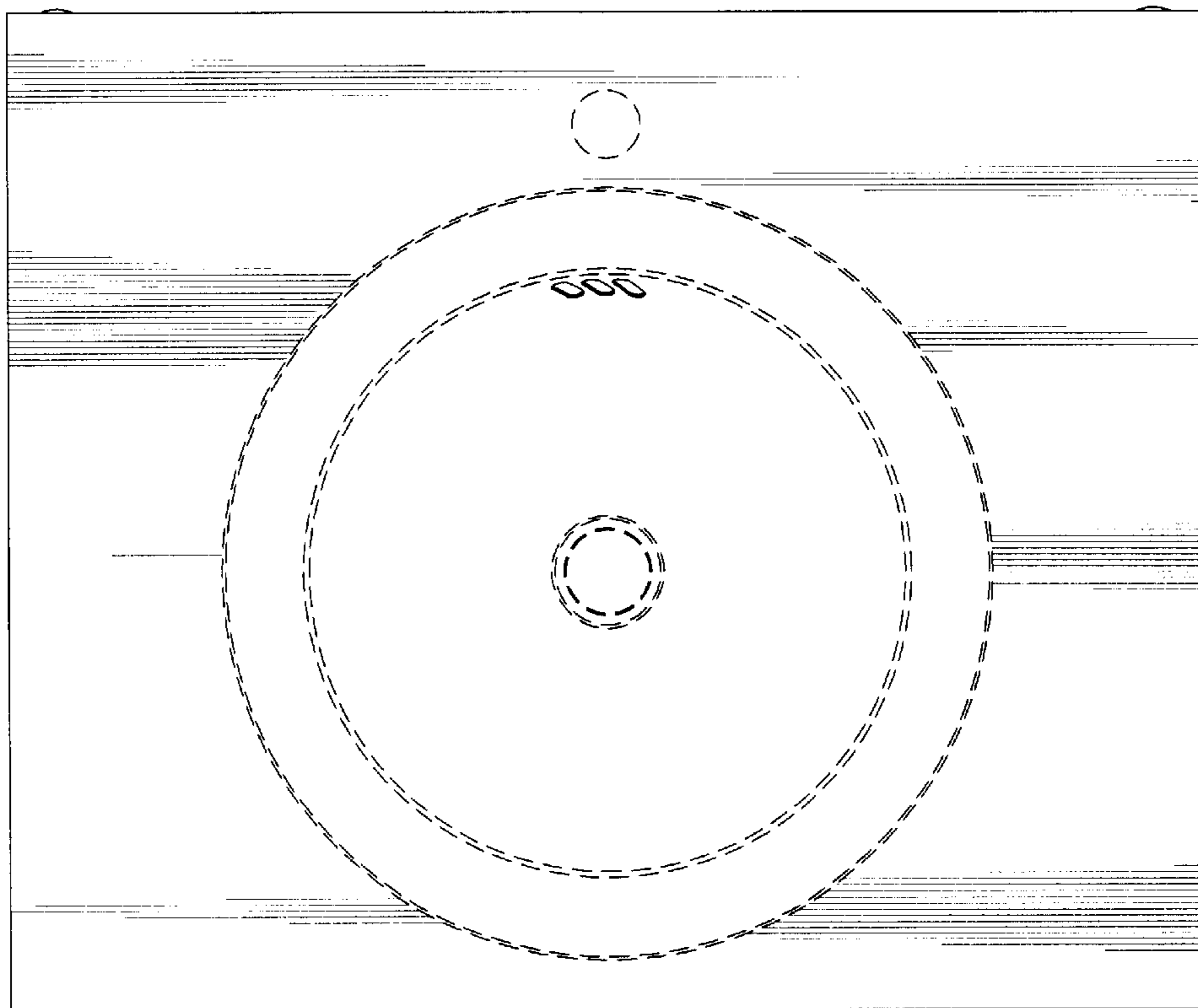


FIG. 4