



US00D538898S

(12) **United States Design Patent**
Trépanier

(10) **Patent No.:** **US D538,898 S**

(45) **Date of Patent:** **** Mar. 20, 2007**

(54) **SINK**

(75) **Inventor:** **Gaston Trépanier, Québec (CA)**

(73) **Assignee:** **Julien Inc., Quebec (CA)**

(**) **Term:** **14 Years**

(21) **Appl. No.:** **29/223,142**

(22) **Filed:** **Feb. 10, 2005**

(30) **Foreign Application Priority Data**

Sep. 30, 2005 (CA) 108017

(51) **LOC (8) Cl.** **23-02**

(52) **U.S. Cl.** **D23/286**

(58) **Field of Classification Search** D23/270-271,
D23/273, 284-287, 291, 293.1, 303, 308;
4/619, 624-625, 630, 661, DIG. 15; D21/524
See application file for complete search history.

(56) **References Cited**

U.S. PATENT DOCUMENTS

D82,200 S * 9/1930 Watrous D23/284

D95,807 S * 6/1935 Davock D23/286
D160,767 S * 11/1950 Brown, Jr. D23/291
D274,281 S * 6/1984 Argandona D23/271

* cited by examiner

Primary Examiner—Robert A. Delehanty
(74) *Attorney, Agent, or Firm*—Sutherland Asbill & Brennan LLP

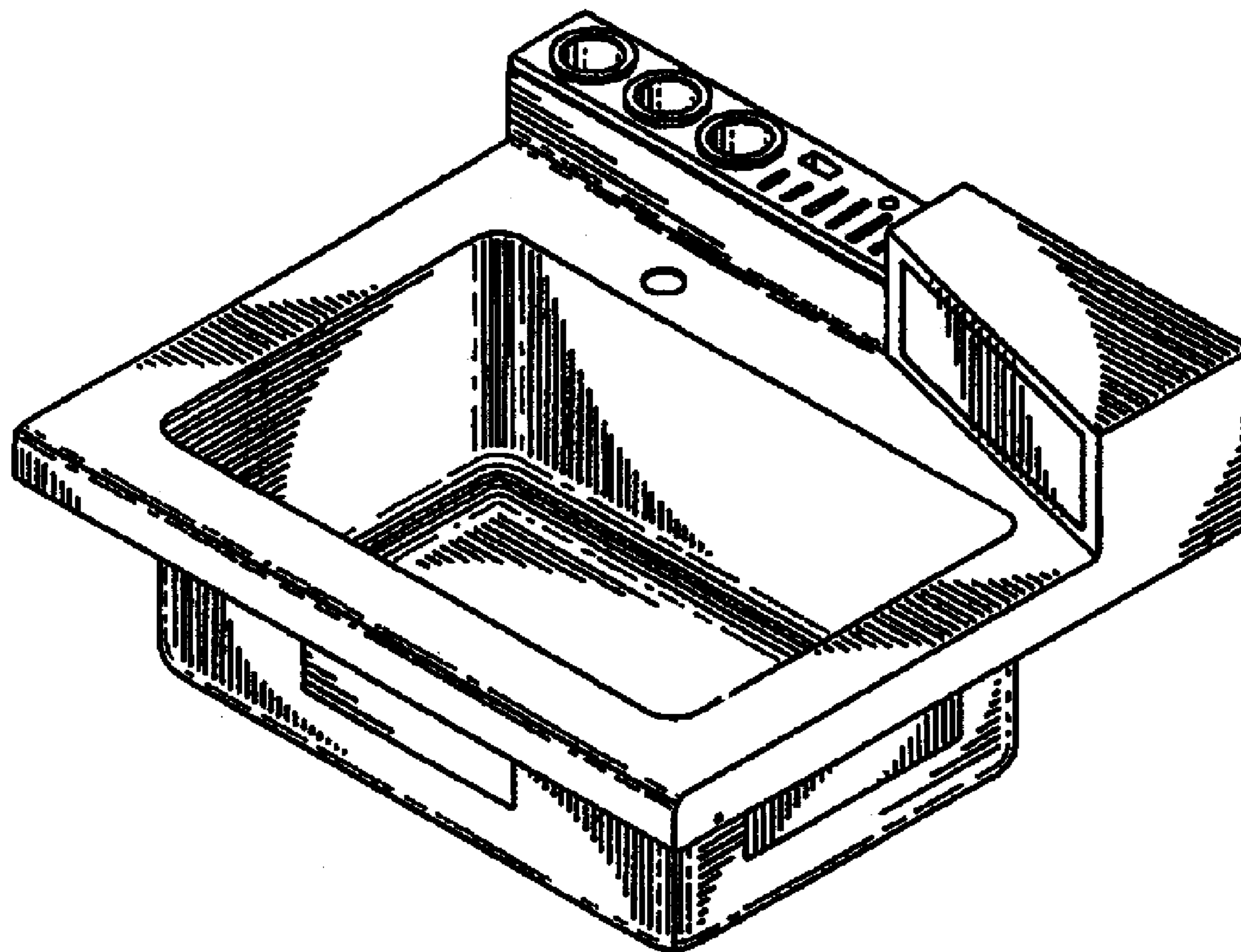
(57) **CLAIM**

The ornamental design for a sink, as shown and described.

DESCRIPTION

FIG. 1 is a front perspective view of a sink, showing my new design;
FIG. 2 is a top plan view thereof;
FIG. 3 is a front elevation view thereof;
FIG. 4 is a right side elevation view thereof;
FIG. 5 is a left side elevation view thereof; and,
FIG. 6 is a rear elevation view thereof.

1 Claim, 3 Drawing Sheets



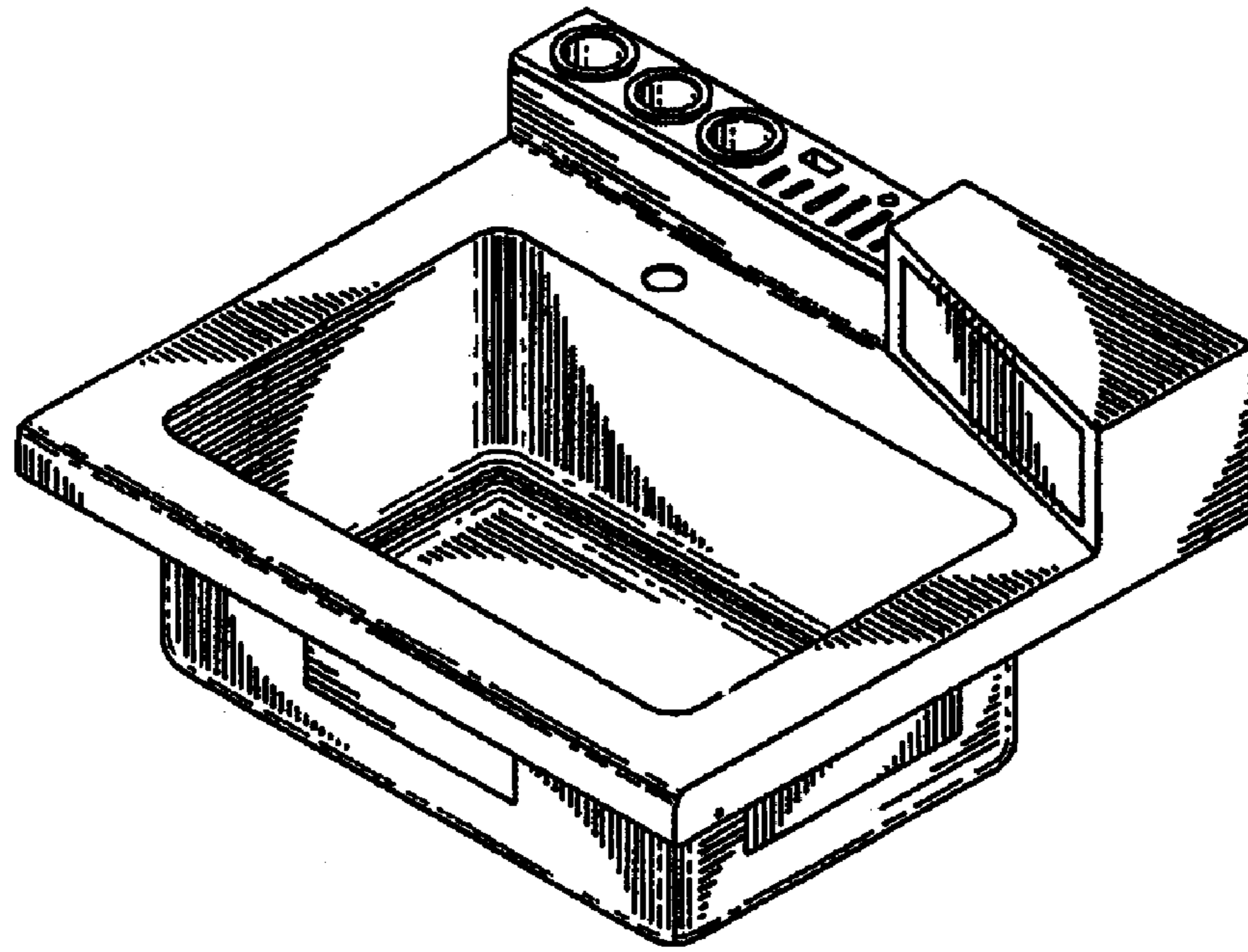


FIG-1

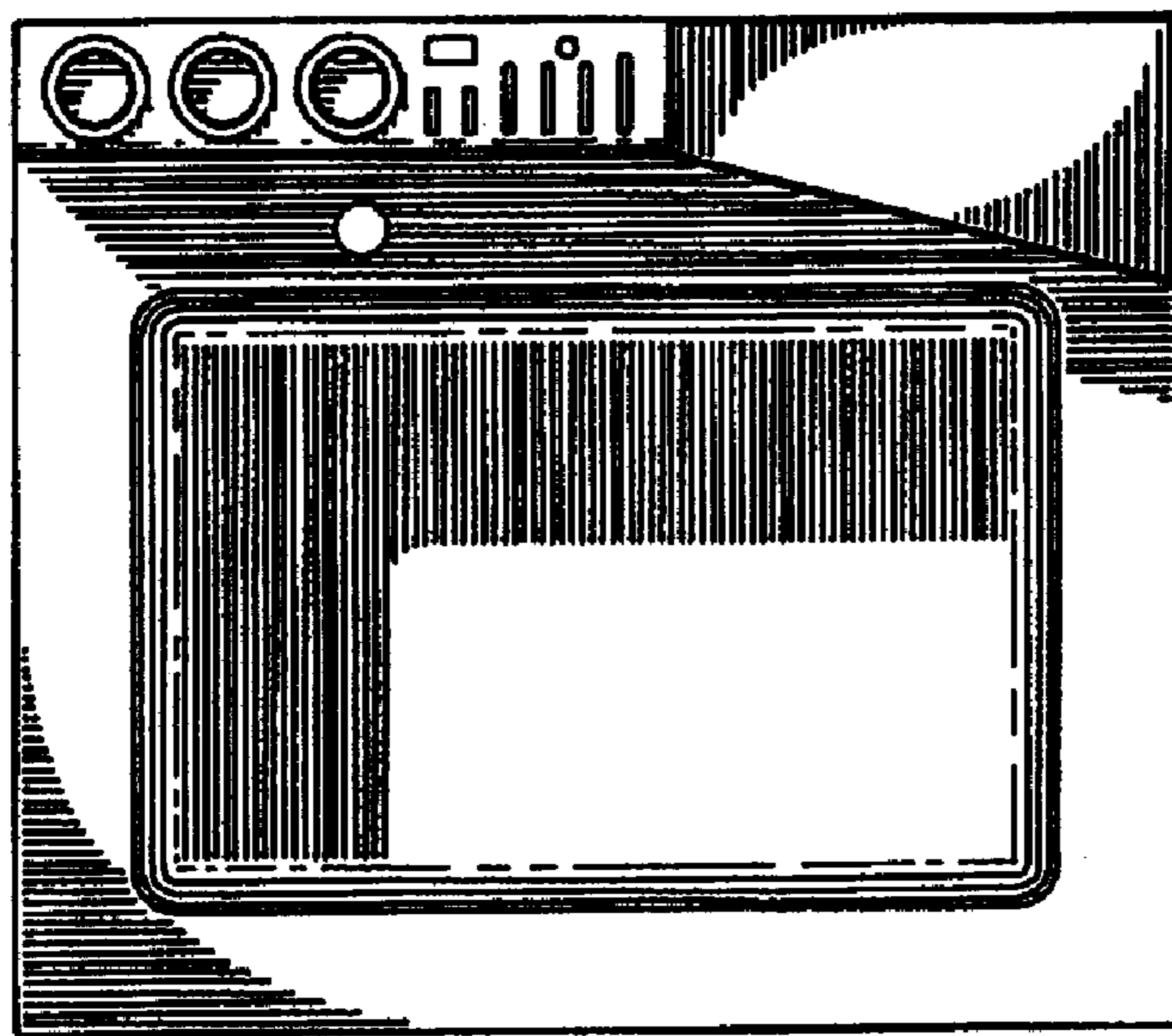


FIG-2

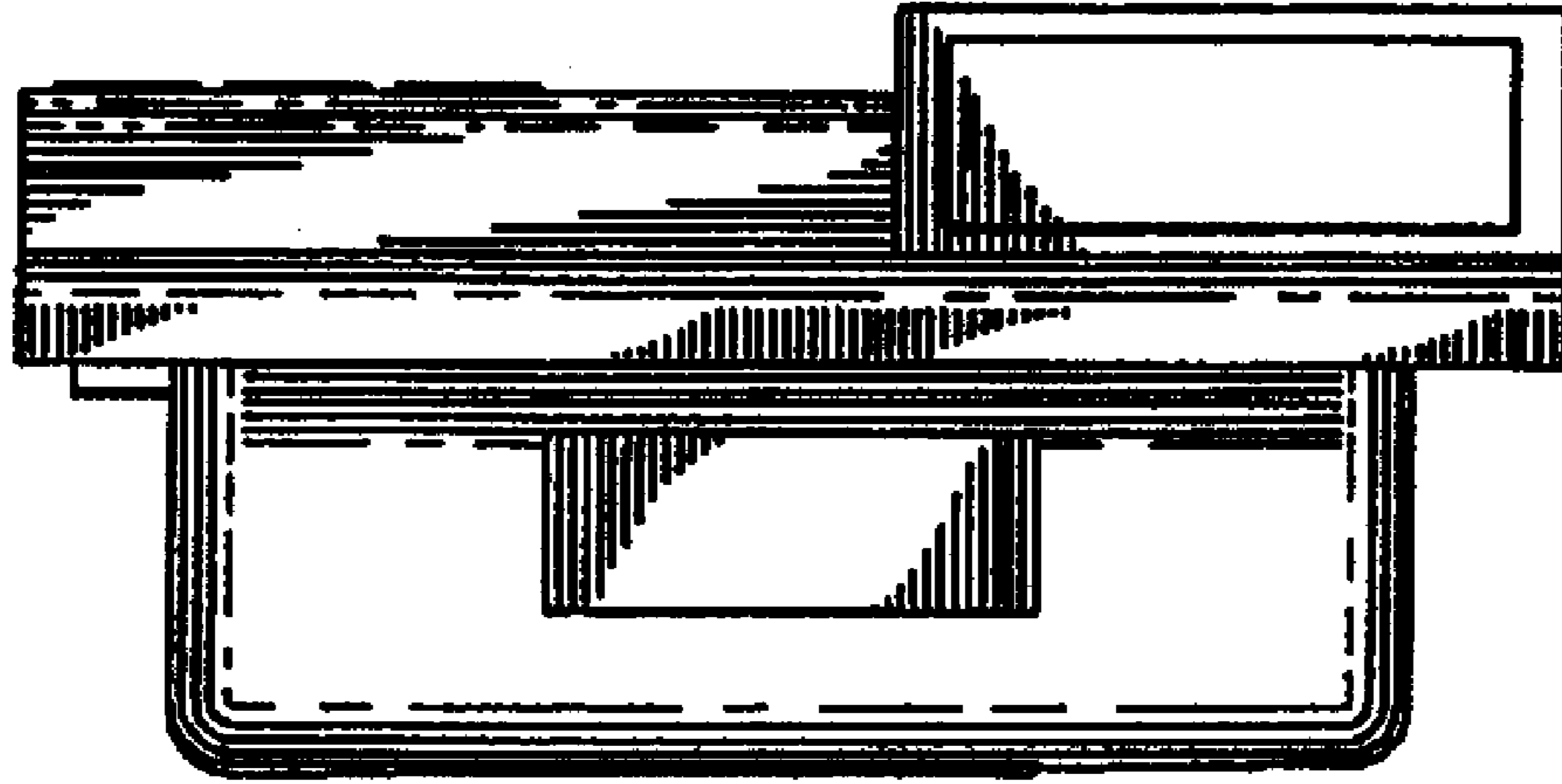


FIG. 3

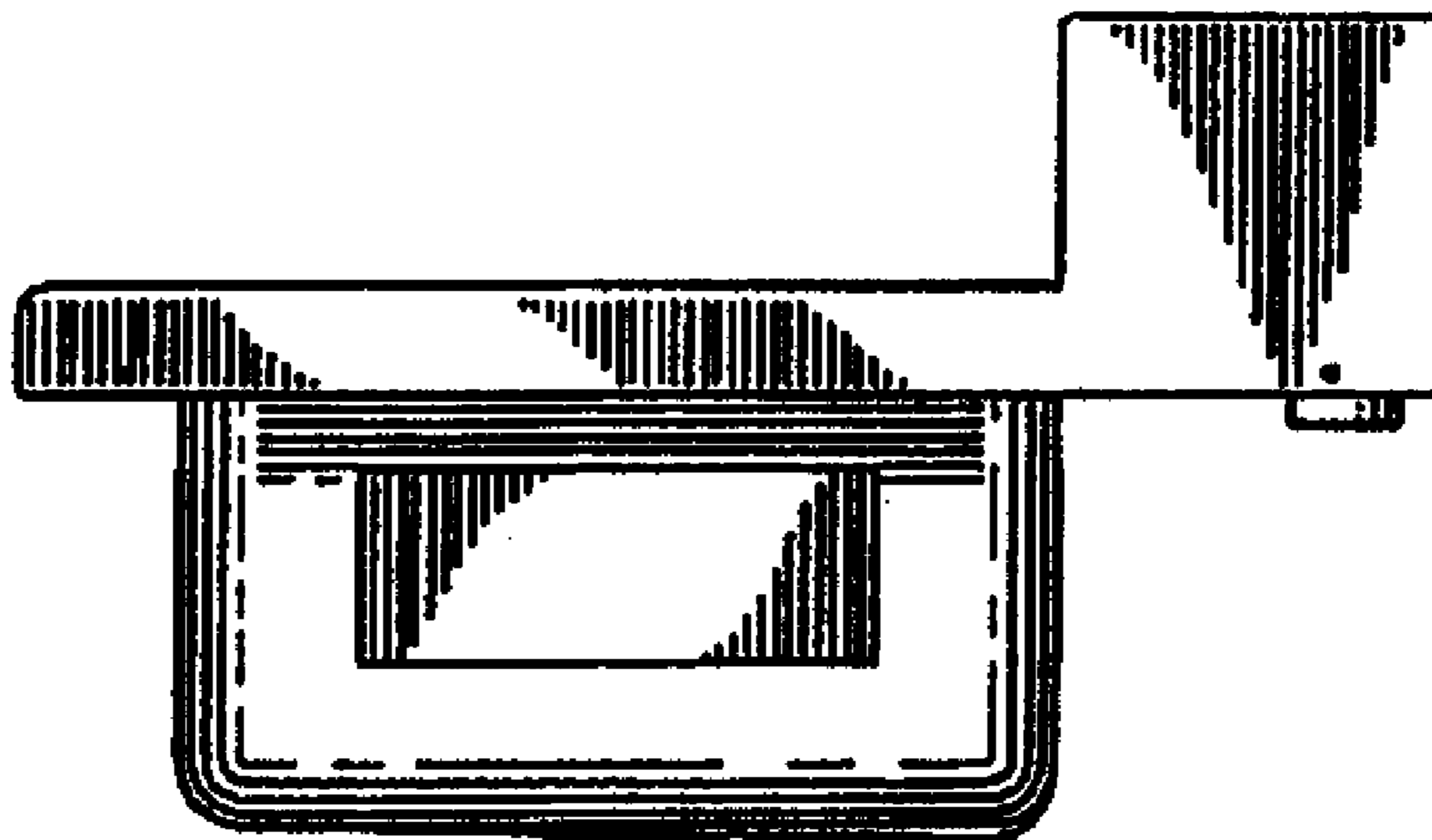


FIG. 4

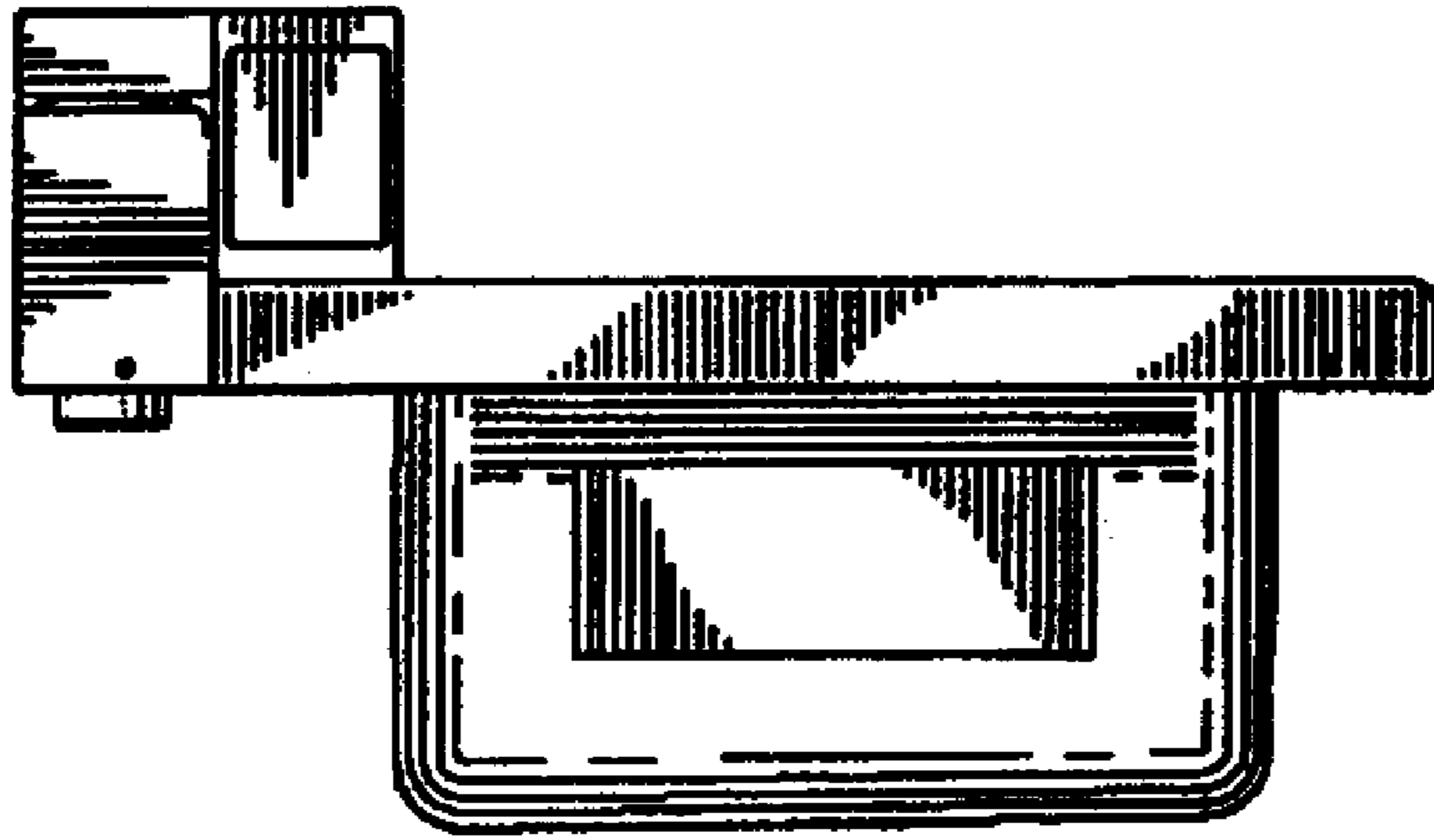


FIG. 5

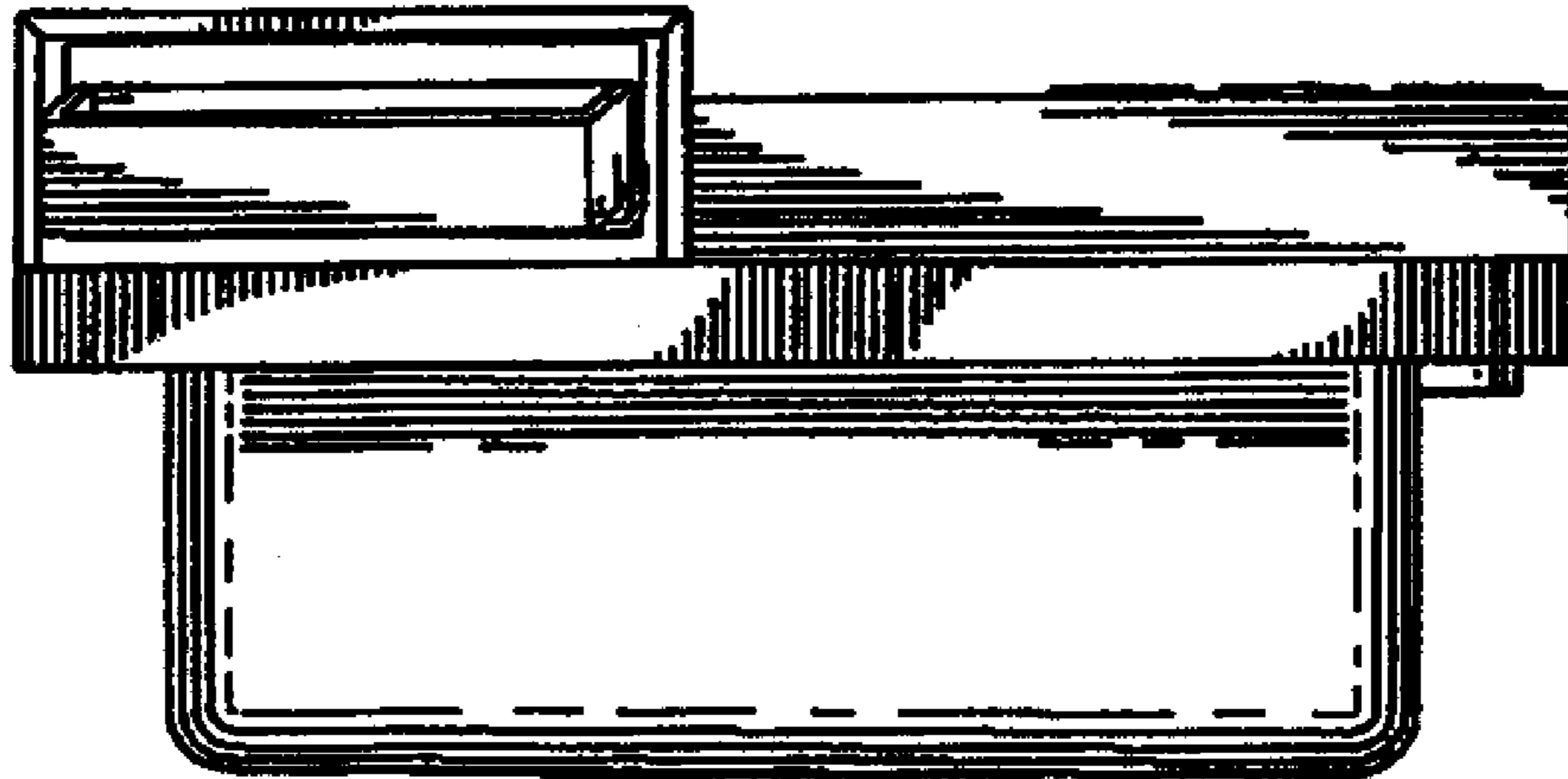


FIG. 6