

US00D538896S

(12) **United States Design Patent**
Yang

(10) **Patent No.:** **US D538,896 S**

(45) **Date of Patent:** **** Mar. 20, 2007**

(54) **FAUCET HANDLE**

(76) **Inventor:** **Tsai Chen Yang**, 235 Chung-Ho Box
8-24, Taipei (TW)

(**) **Term:** **14 Years**

(21) **Appl. No.:** **29/243,481**

(22) **Filed:** **Nov. 28, 2005**

(51) **LOC (8) Cl.** **23-01**

(52) **U.S. Cl.** **D23/252**

(58) **Field of Classification Search** D23/238-257;
D8/250-257, 300-322, DIG. 3; 16/110.1;
4/675-678; 137/801

See application file for complete search history.

(56) **References Cited**

U.S. PATENT DOCUMENTS

- D289,543 S * 4/1987 Davis D23/252
- D324,724 S * 3/1992 Lang et al. D23/252
- D371,956 S * 7/1996 Steffes D8/352
- D466,990 S * 12/2002 Wang D23/252

- D476,065 S * 6/2003 Smith D23/252
- D495,401 S * 8/2004 Smith D23/252

* cited by examiner

Primary Examiner—Louis S. Zarfes
Assistant Examiner—Gregory Andoll

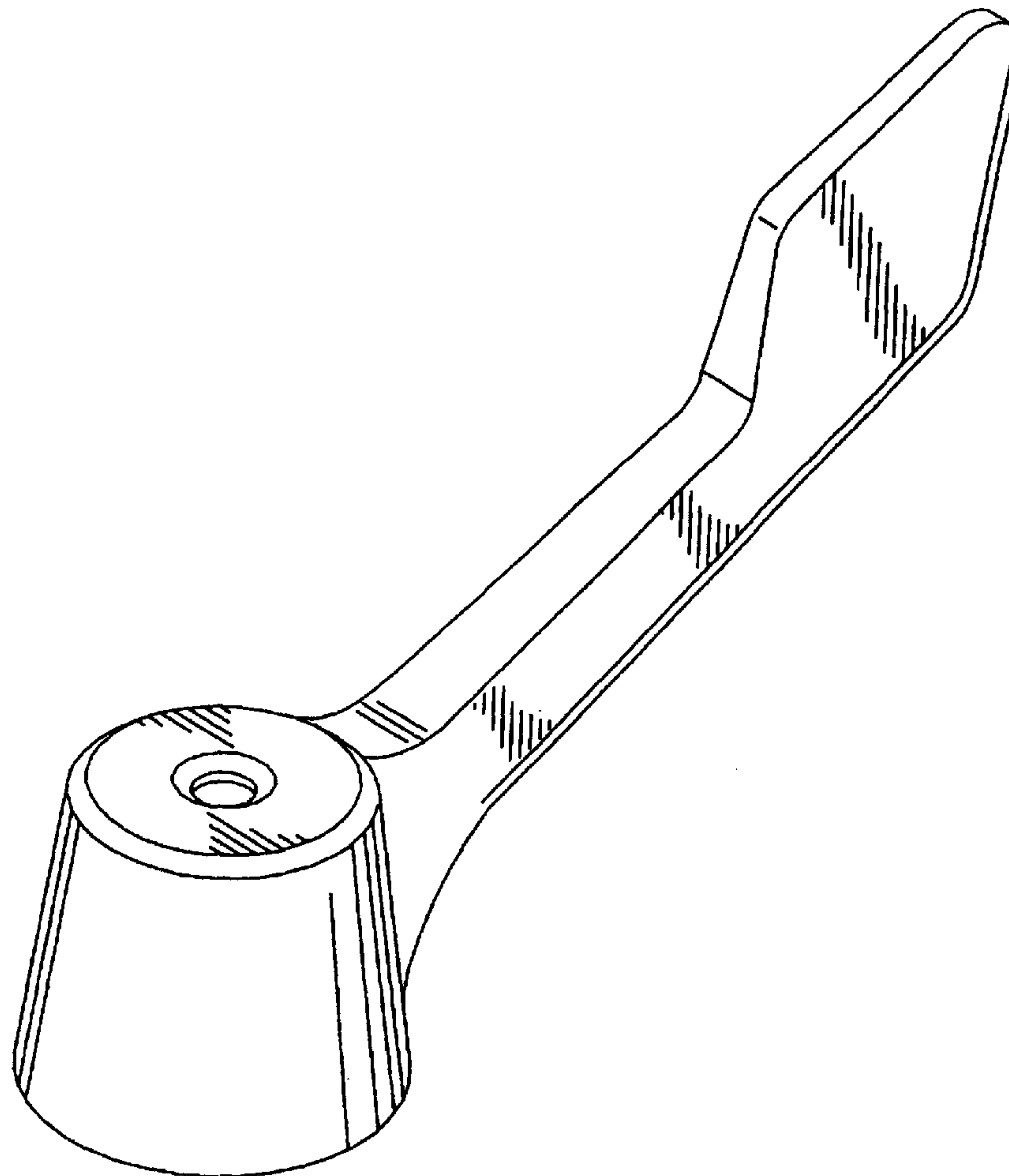
(57) **CLAIM**

The ornamental design for a faucet handle, as shown and described.

DESCRIPTION

FIG. 1 is a perspective view of a faucet handle showing my new design;
FIG. 2 is a left side view thereof;
FIG. 3 is a right side view thereof;
FIG. 4 is a rear elevational view thereof;
FIG. 5 is a front elevational view thereof;
FIG. 6 is a top plan view thereof; and,
FIG. 7 shows one application of the present invention, where the environment indicated by dashed lines is not claimed in the present invention.

1 Claim, 6 Drawing Sheets



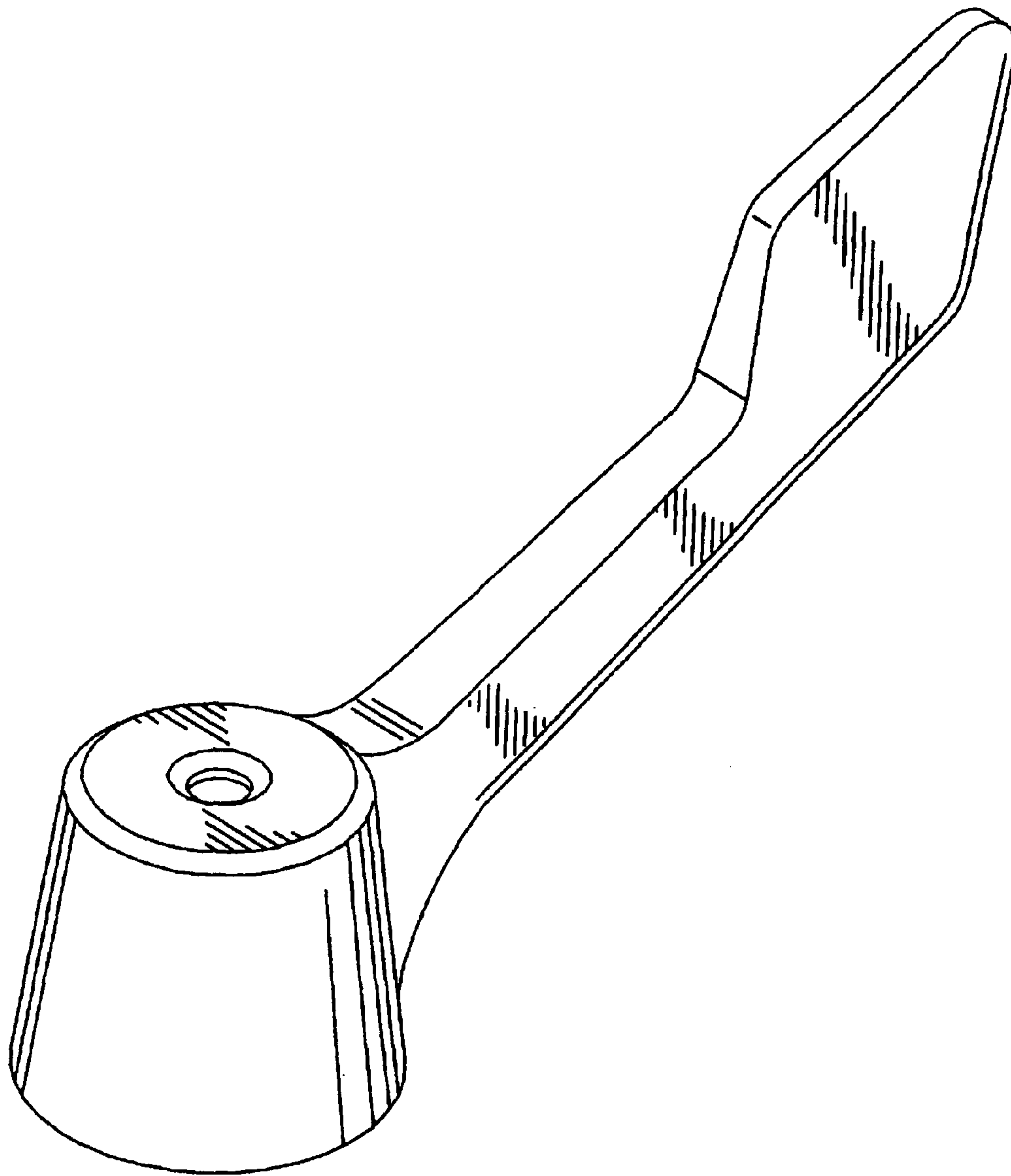


FIG. 1

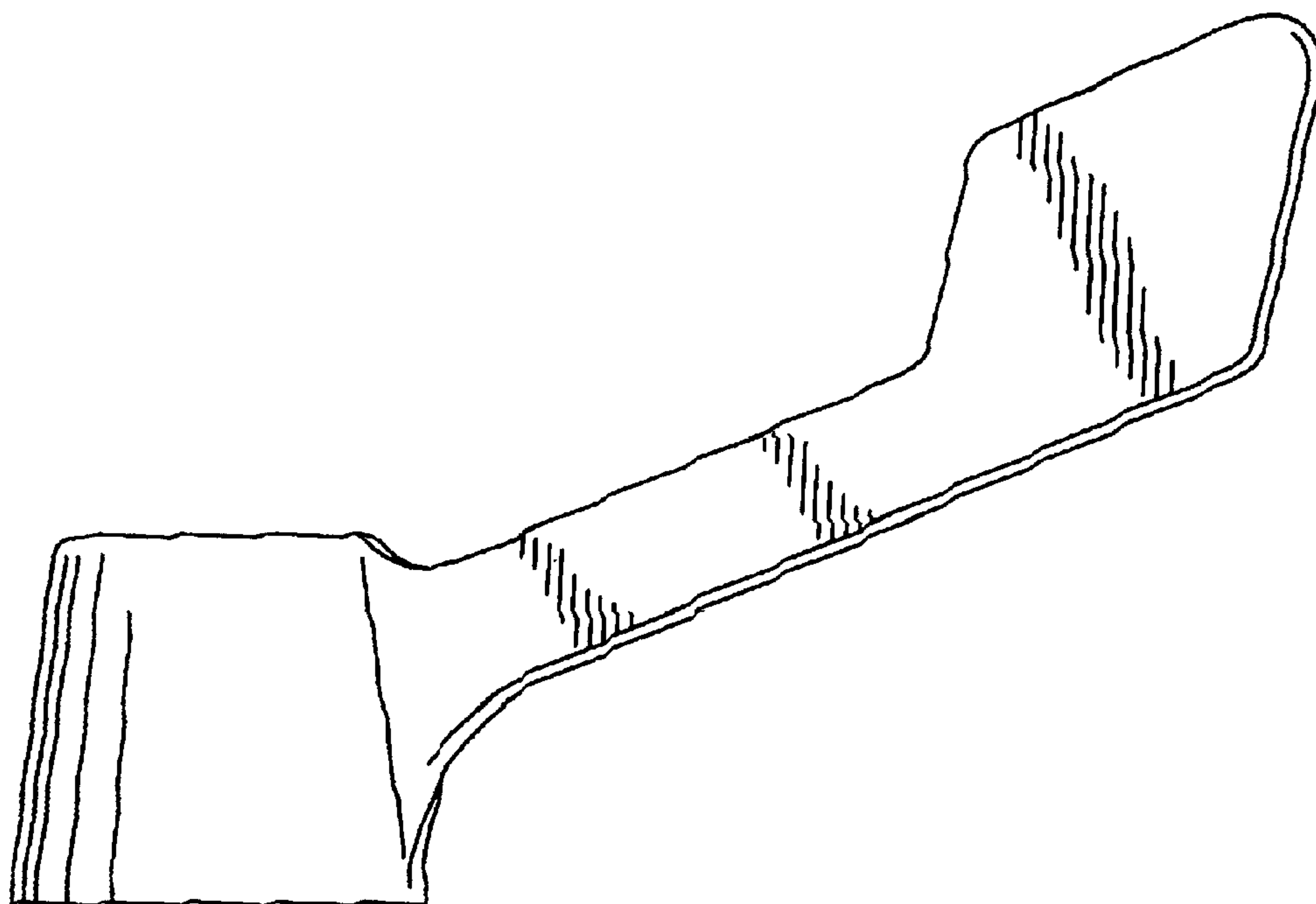


FIG. 2

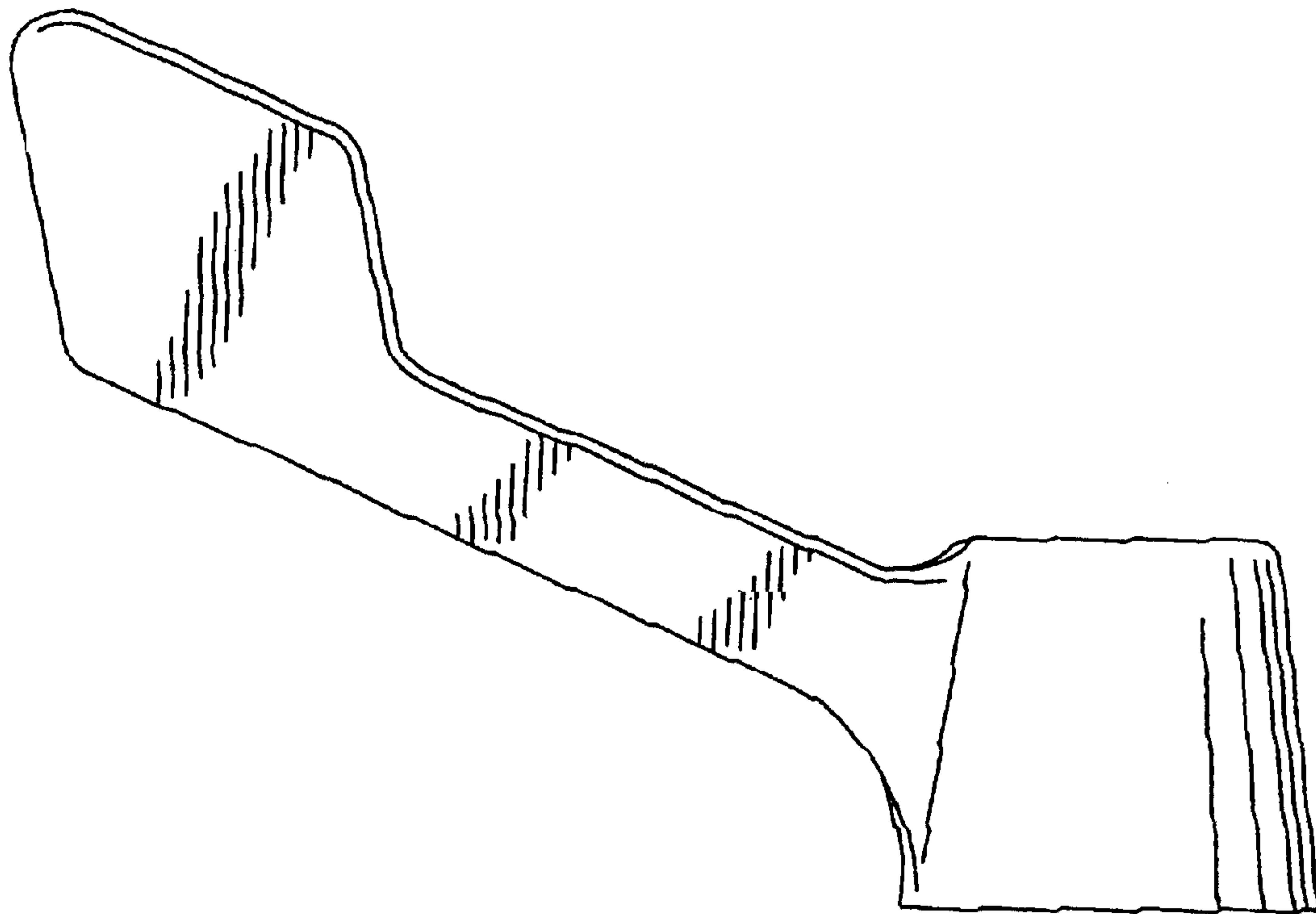


FIG. 3

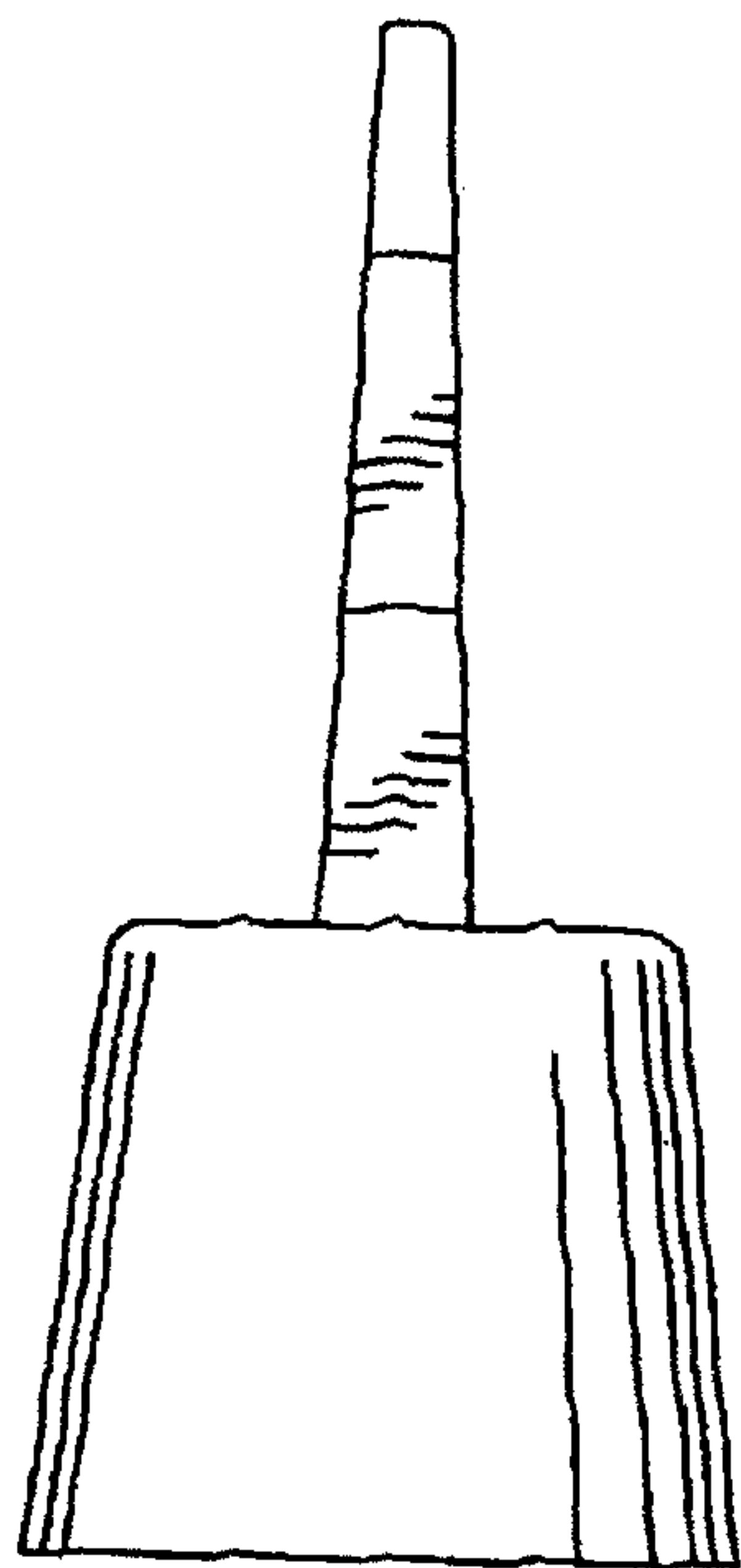


FIG. 4

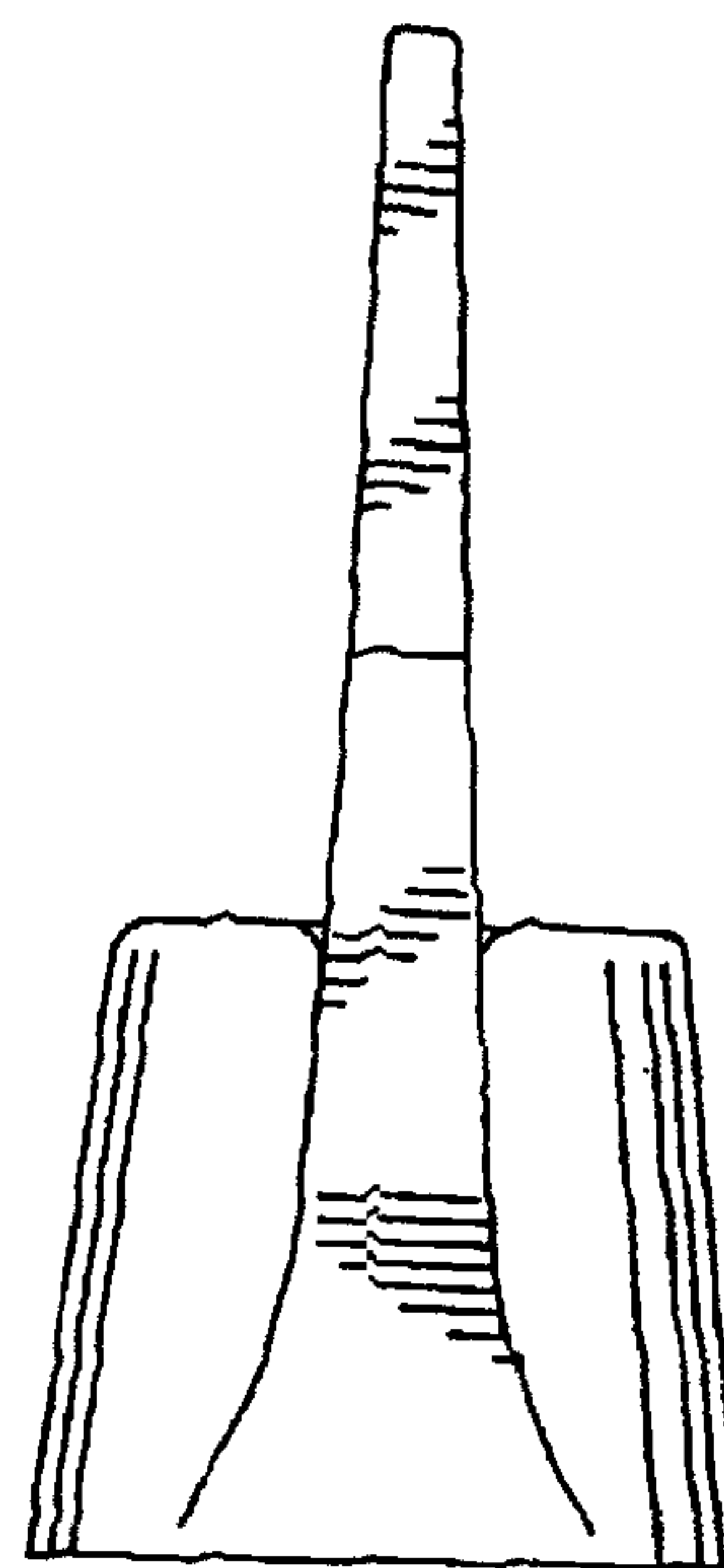


FIG. 5

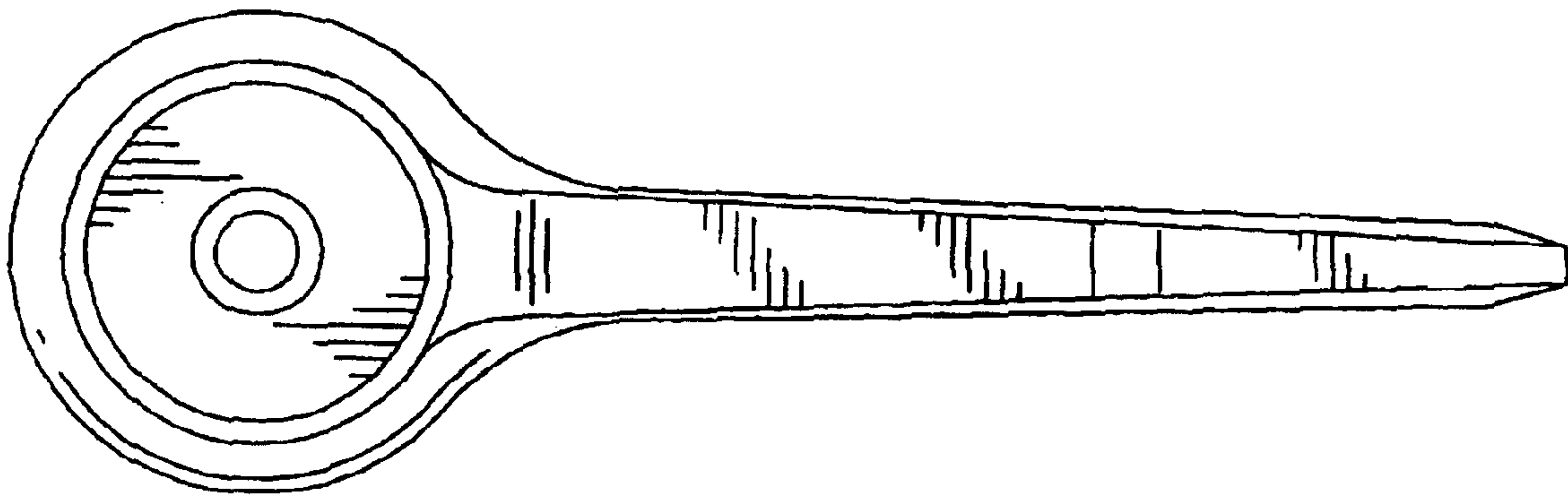


FIG. 6

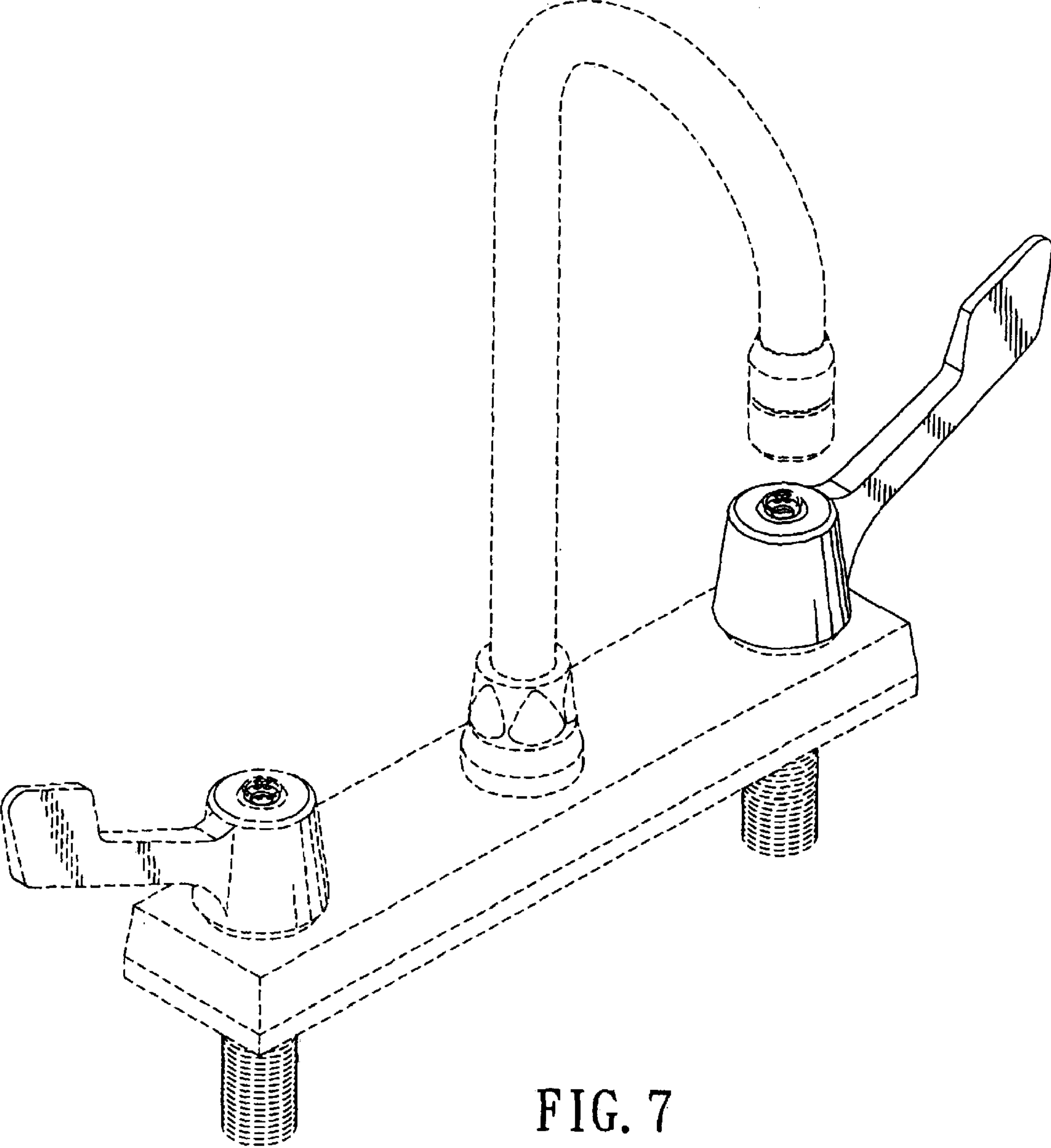


FIG. 7