



US00D538895S

(12) **United States Design Patent**
Sallick et al.

(10) **Patent No.:** **US D538,895 S**

(45) **Date of Patent:** **** Mar. 20, 2007**

(54) **SHOWER VALVE HANDLE**

(75) Inventors: **Peter Sallick**, Westport, CT (US); **Peter Shelton**, New York, NY (US); **Lee Mindel**, New York, NY (US)

(73) Assignee: **Waterworks, Inc.**, Danbury, CT (US)

(**) Term: **14 Years**

(21) Appl. No.: **29/236,945**

(22) Filed: **Aug. 24, 2005**

(51) **LOC (8) Cl.** **23-01**

(52) **U.S. Cl.** **D23/250**

(58) **Field of Classification Search** D23/238–257;
D8/250–257, 300–322, DIG. 3; 16/110.1;
4/675–678; 137/801

See application file for complete search history.

(56) **References Cited**

U.S. PATENT DOCUMENTS

D76,995 S	*	11/1928	Fraser	D23/254
D86,672 S	*	4/1932	Ferguson	D23/250
D317,816 S	*	6/1991	Robbins	D23/250
D321,629 S	*	11/1991	Hollinger	D7/679
D371,956 S	*	7/1996	Steffes	D8/352
D438,601 S	*	3/2001	Caplow	D23/252
D451,173 S	*	11/2001	Gottwald	D23/254

D466,195 S	*	11/2002	Marshall	D23/250
D466,988 S	*	12/2002	Marshall	D23/250
D478,374 S	*	8/2003	Smith	D23/250

* cited by examiner

Primary Examiner—Louis S. Zarfes

Assistant Examiner—Gregory Andoll

(74) *Attorney, Agent, or Firm*—Goodwin Procter, L.L.P.

(57) **CLAIM**

The ornamental design for a shower valve handle, as shown and described.

DESCRIPTION

FIG. 1 is a perspective view of the shower valve handle showing our new design;

FIG. 2 is a top plan view thereof;

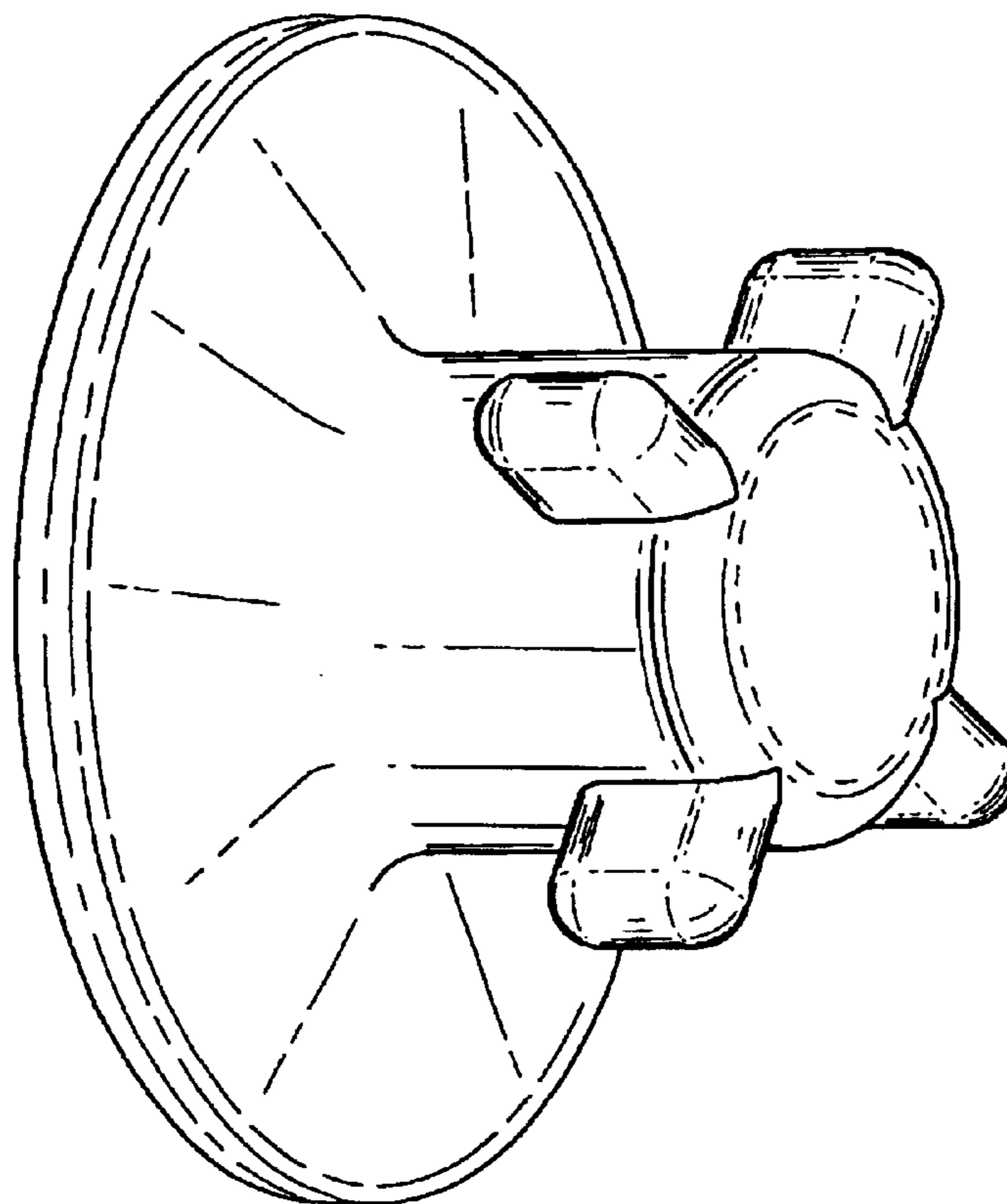
FIG. 3 is a bottom plan view thereof;

FIG. 4 is a side elevational view thereof, the opposite view and views taken 90° from the view of FIG. 4 being the same; and,

FIG. 5 is another side elevational view thereof, taken 45° from the view of FIG. 4, the opposite view and views taken 90° from the view of FIG. 5 being the same.

The broken line showing of the opening in FIG. 3 and the top surface in FIGS. 1 and 2 is for illustrative purposes only and forms no part of the claimed design.

1 Claim, 4 Drawing Sheets



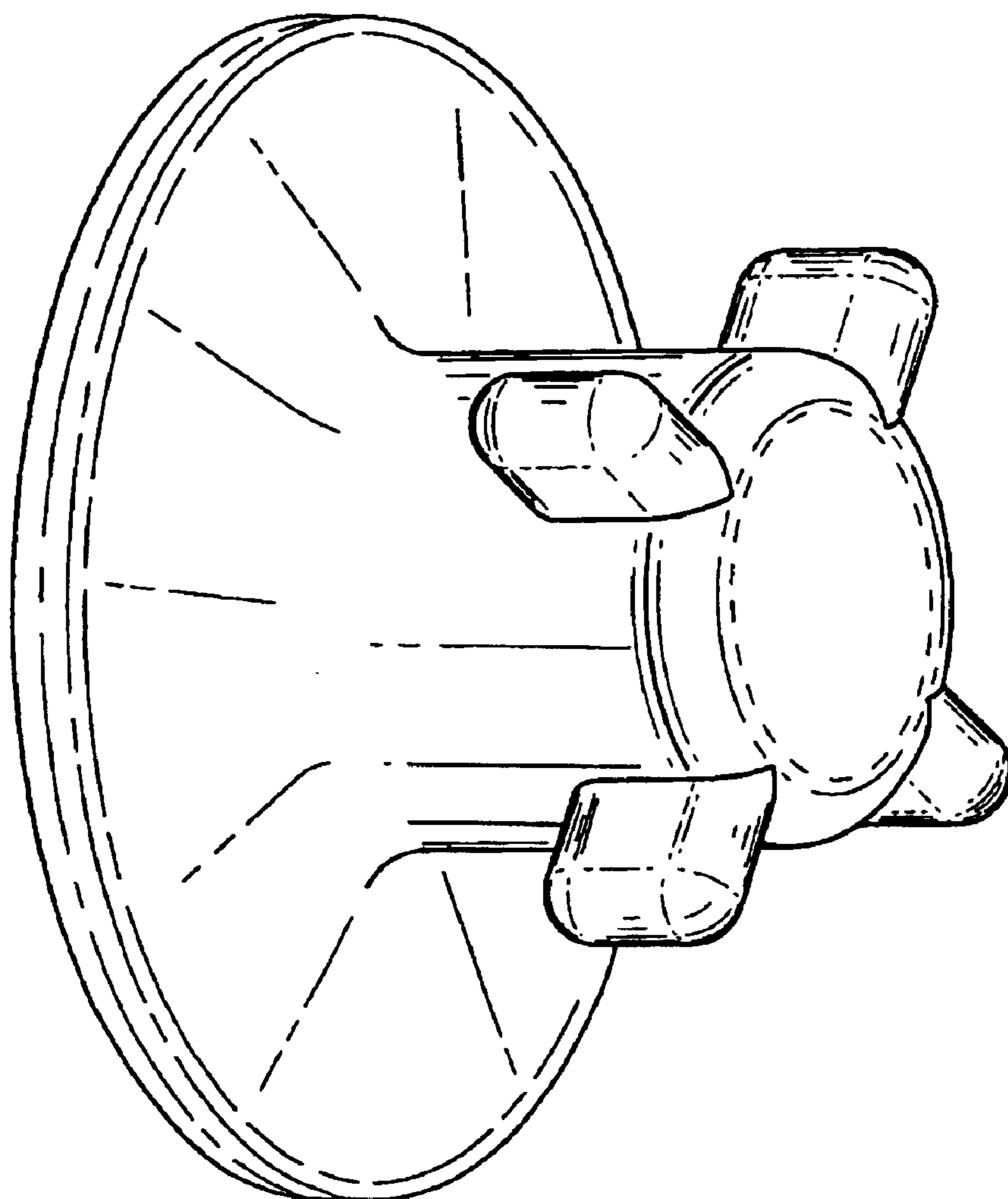


FIG. 1

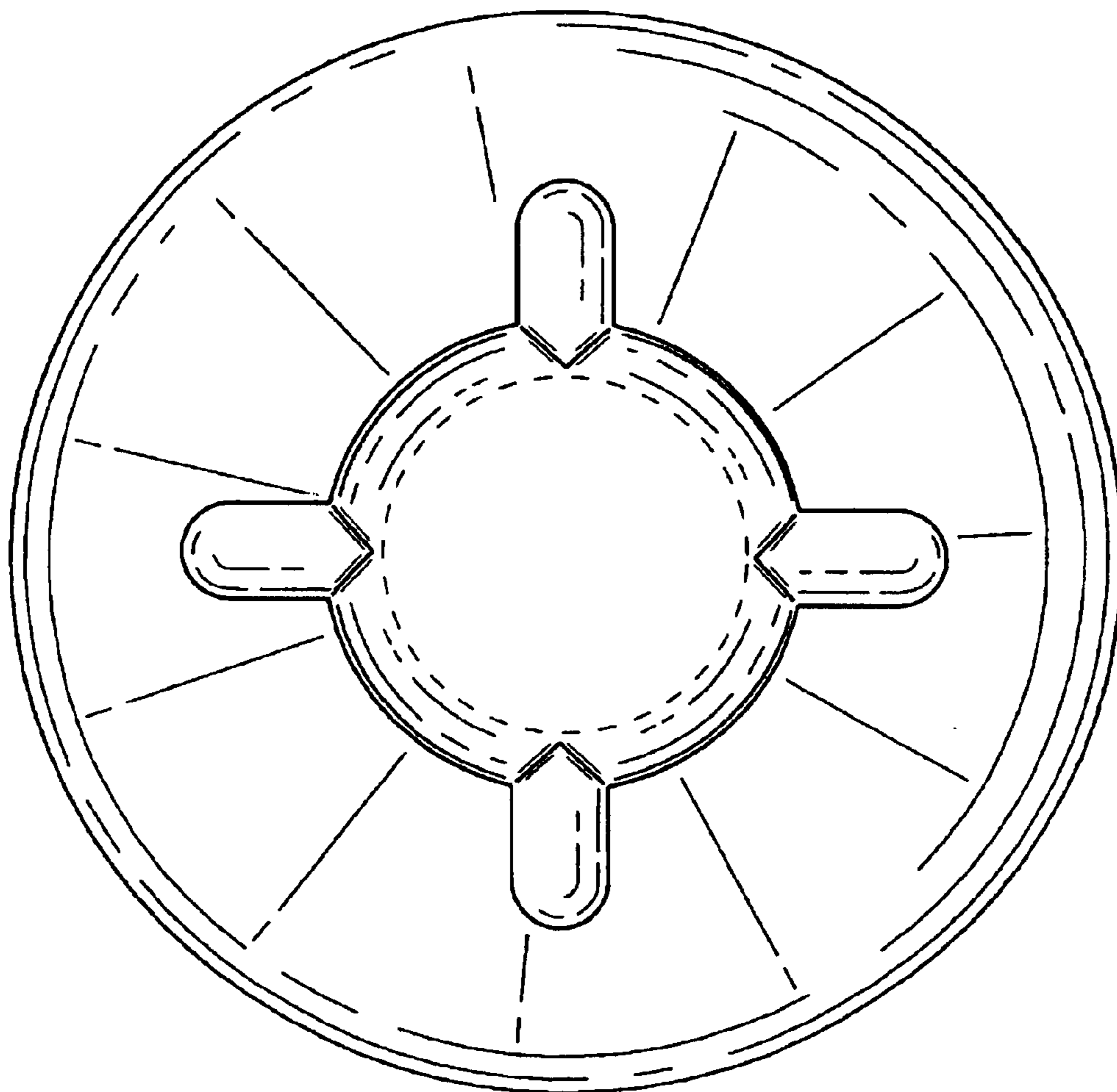


FIG. 2

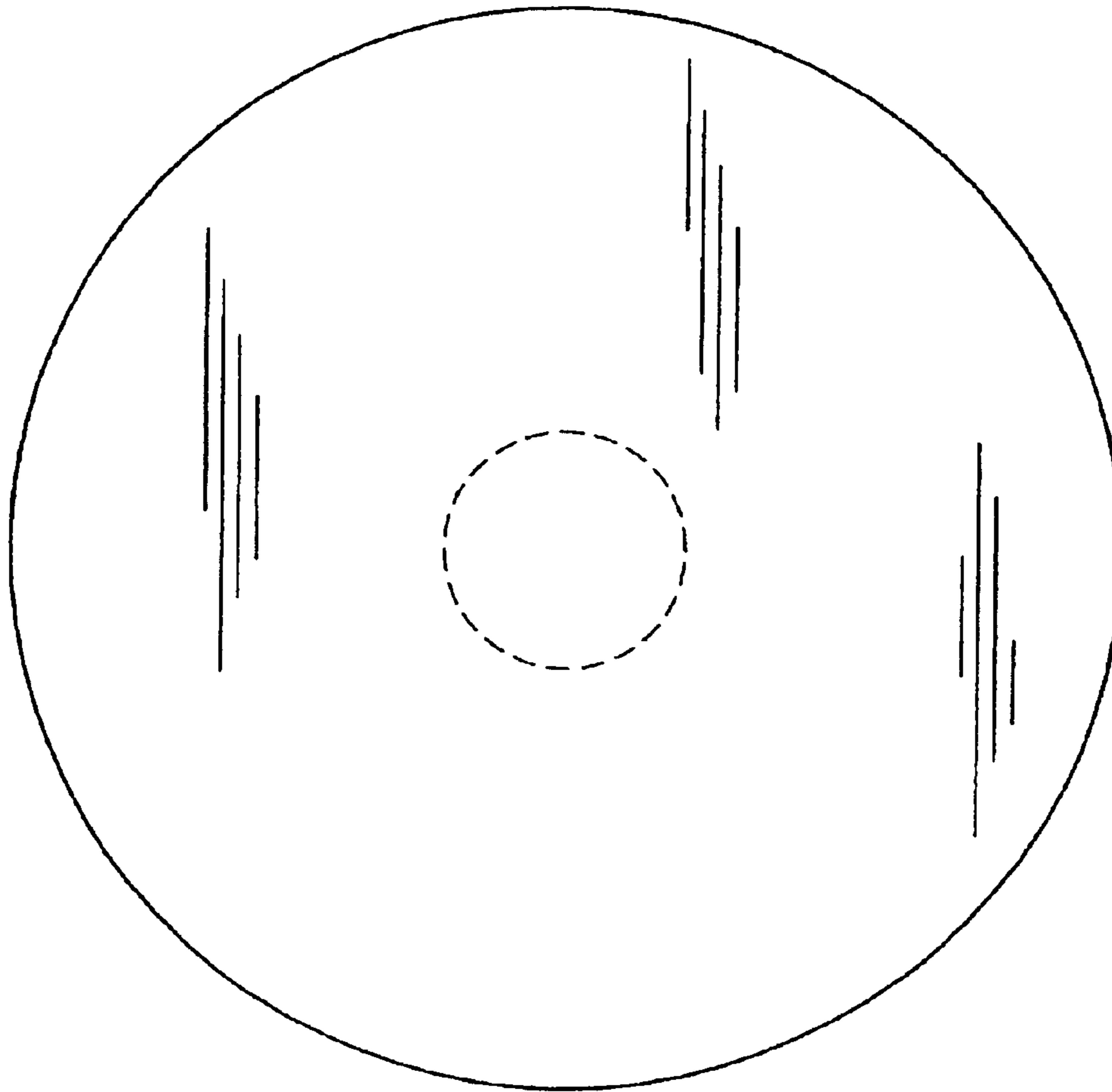


FIG. 3

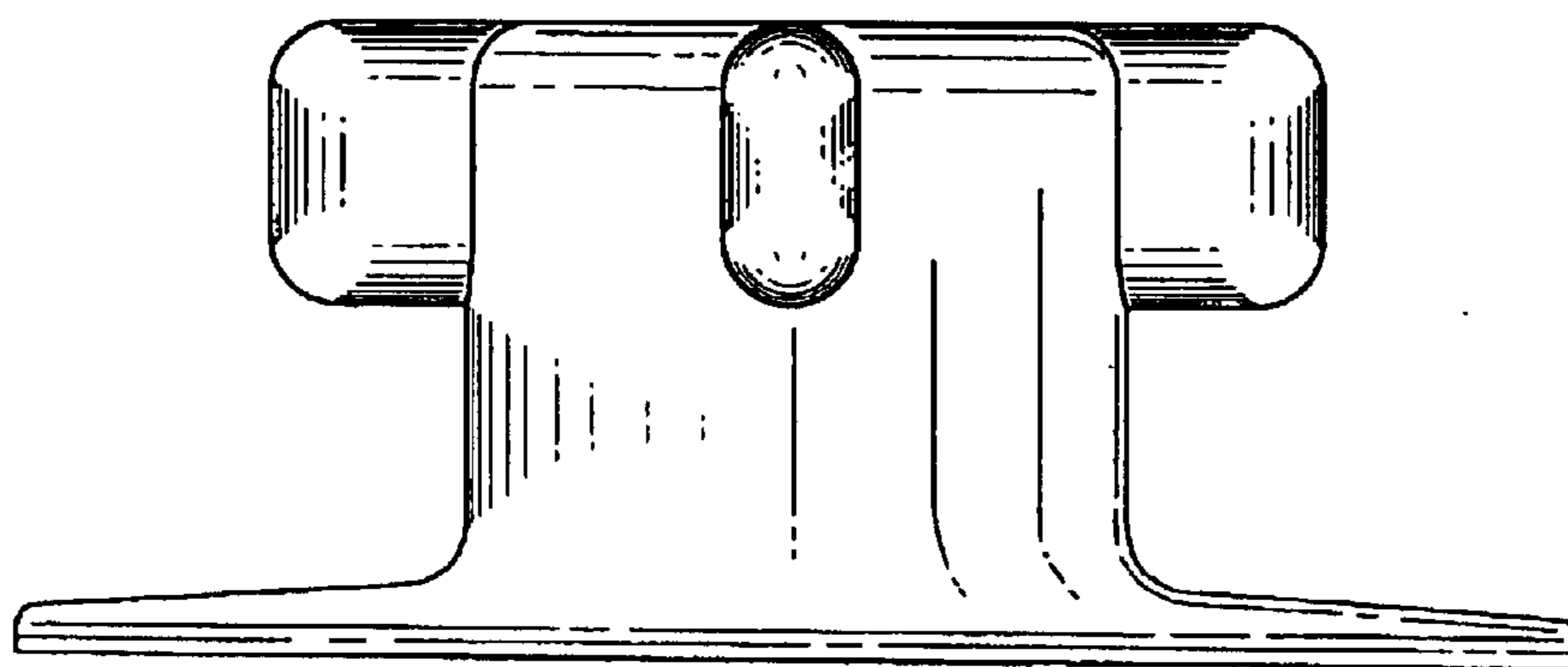


FIG. 4

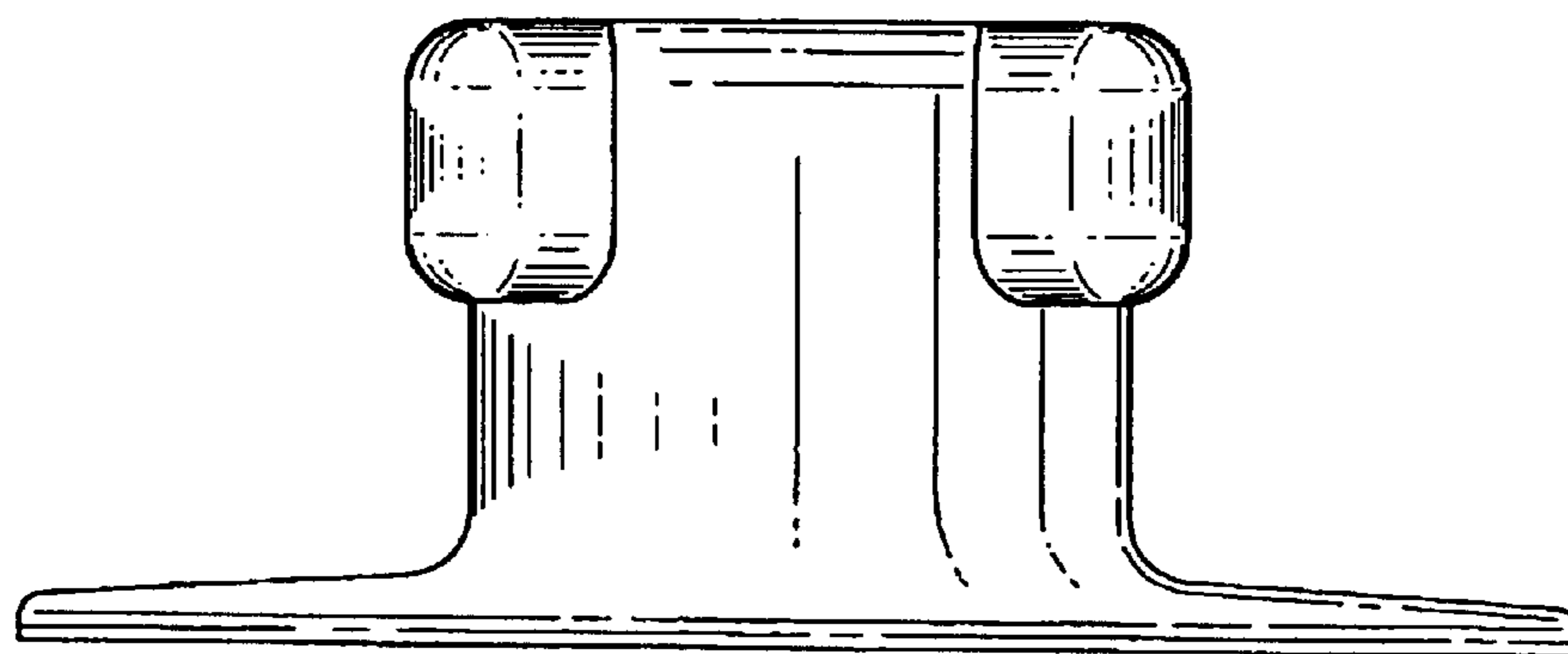


FIG. 5