



US00D538890S

(12) **United States Design Patent**
Park

(10) **Patent No.:** **US D538,890 S**

(45) **Date of Patent:** **** Mar. 20, 2007**

(54) **HOUSING FOR A WATER TREATMENT SYSTEM CONTROL VALVE**

(75) Inventor: **Stuart Park**, Burton, OH (US)

(73) Assignee: **Kinetico Incorporated**, Newbury, OH (US)

(**) Term: **14 Years**

(21) Appl. No.: **29/264,582**

(22) Filed: **Aug. 14, 2006**

Related U.S. Application Data

(63) Continuation of application No. 29/244,673, filed on Dec. 13, 2005, now abandoned.

(51) **LOC (8) Cl.** **23-01**

(52) **U.S. Cl.** **D23/233**

(58) **Field of Classification Search** D23/233-237,
D23/244-249; 137/624.14, 624.18, 332,
137/625.46, 554, 557; 251/59, 30.05; 210/87,
210/88, 98, 190-192, 288, 662
See application file for complete search history.

(56) **References Cited**

U.S. PATENT DOCUMENTS

3,208,476 A	9/1965	Clack	
3,687,269 A	8/1972	Fritz et al.	
3,891,552 A	6/1975	Prior et al.	
4,298,025 A	11/1981	Prior et al.	
4,337,153 A	6/1982	Prior	
D271,421 S	* 11/1983	Fetterman D24/129

4,427,549 A	1/1984	Brown et al.	
4,492,247 A	* 1/1985	Lockwood 137/119.03
4,693,814 A	9/1987	Brown	
5,022,994 A	6/1991	Avery et al.	
5,490,932 A	2/1996	Hansen et al.	
5,910,244 A	* 6/1999	Stamos et al. 210/138
6,189,556 B1	2/2001	Blake et al.	
6,214,214 B1	4/2001	Hansen et al.	
D495,030 S	* 8/2004	Lillback D23/233
D522,559 S	* 6/2006	Naito et al. D16/219

* cited by examiner

Primary Examiner—Ian Simmons

Assistant Examiner—Maurice Stevens

(74) *Attorney, Agent, or Firm*—Tarolli, Sundheim, Covell & Tummino, LLP

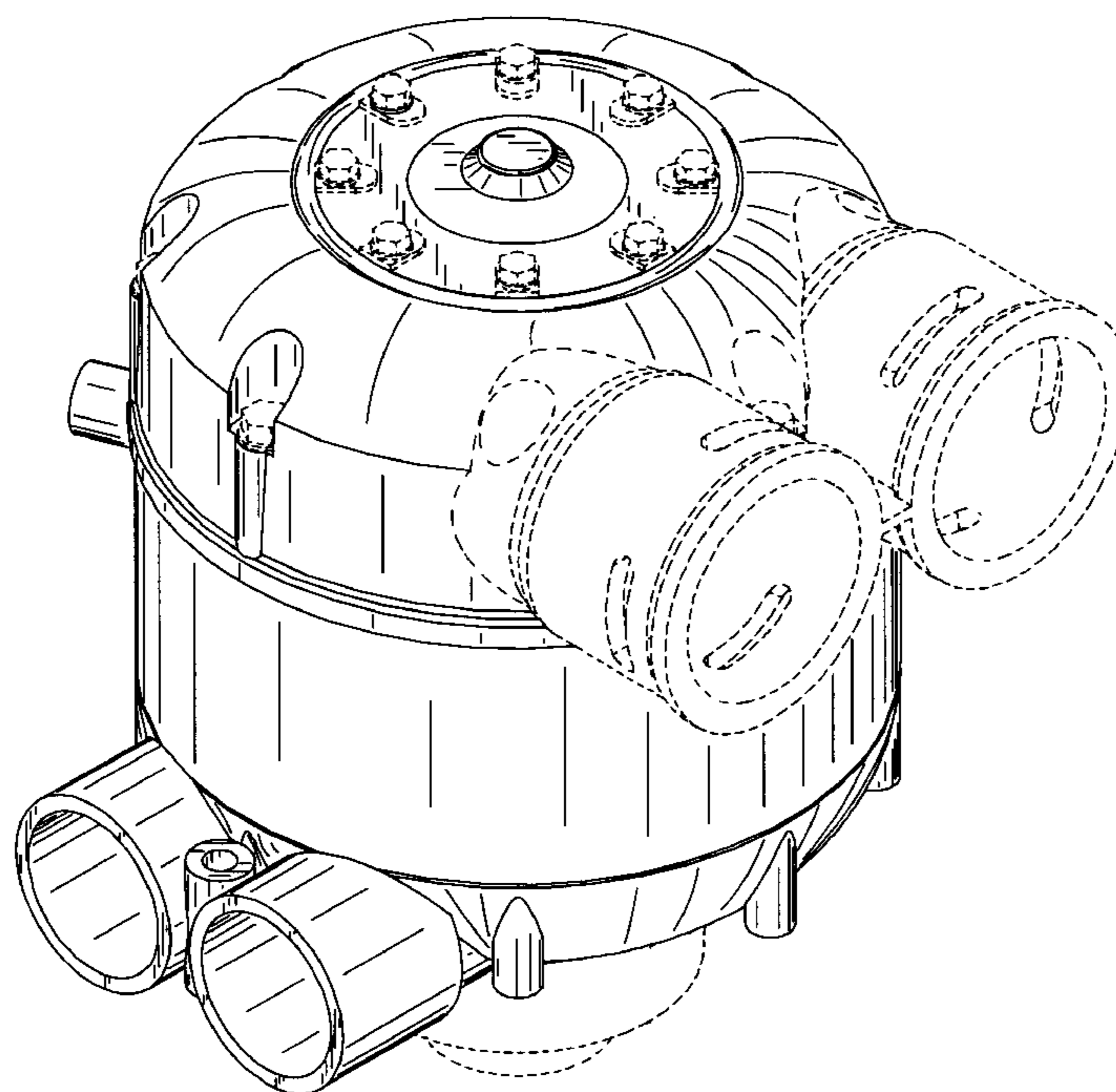
(57) **CLAIM**

I claim the ornamental design for a housing for a water treatment system control valve, as shown and described.

DESCRIPTION

FIG. 1 is a perspective view of a housing for a water treatment system control valve showing my new design; FIG. 2 is a top plan thereof; FIG. 3 is a right side elevational view thereof; FIG. 4 is a rear elevational view thereof; FIG. 5 is a bottom plan view thereof; FIG. 6 is a left side elevational view thereof; and, FIG. 7 is a front elevational view thereof. The broken lines in FIGS. 1-7 are for illustrative purposes only and form no part of the claim design.

1 Claim, 4 Drawing Sheets



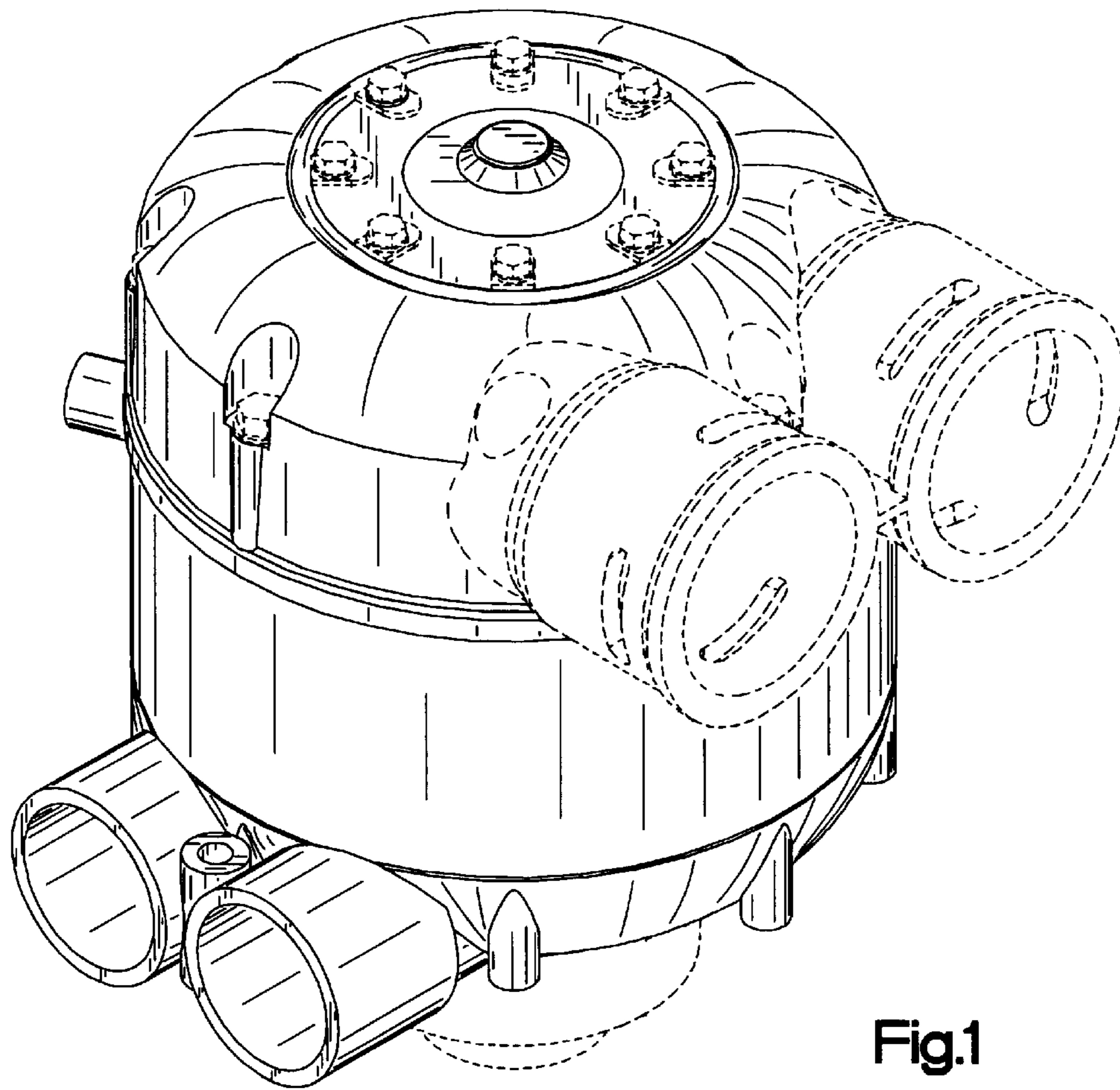


Fig.1

Fig.2

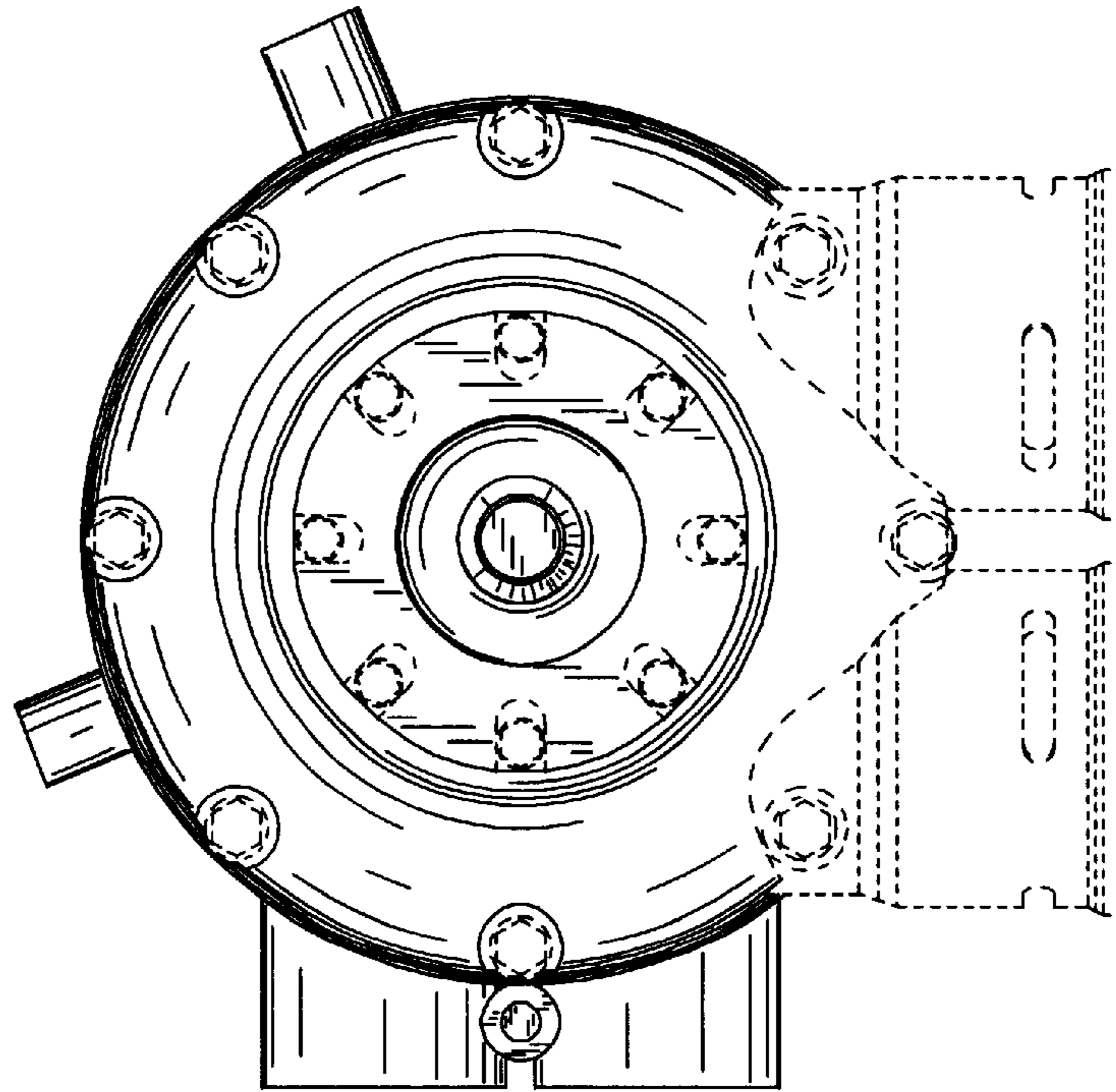
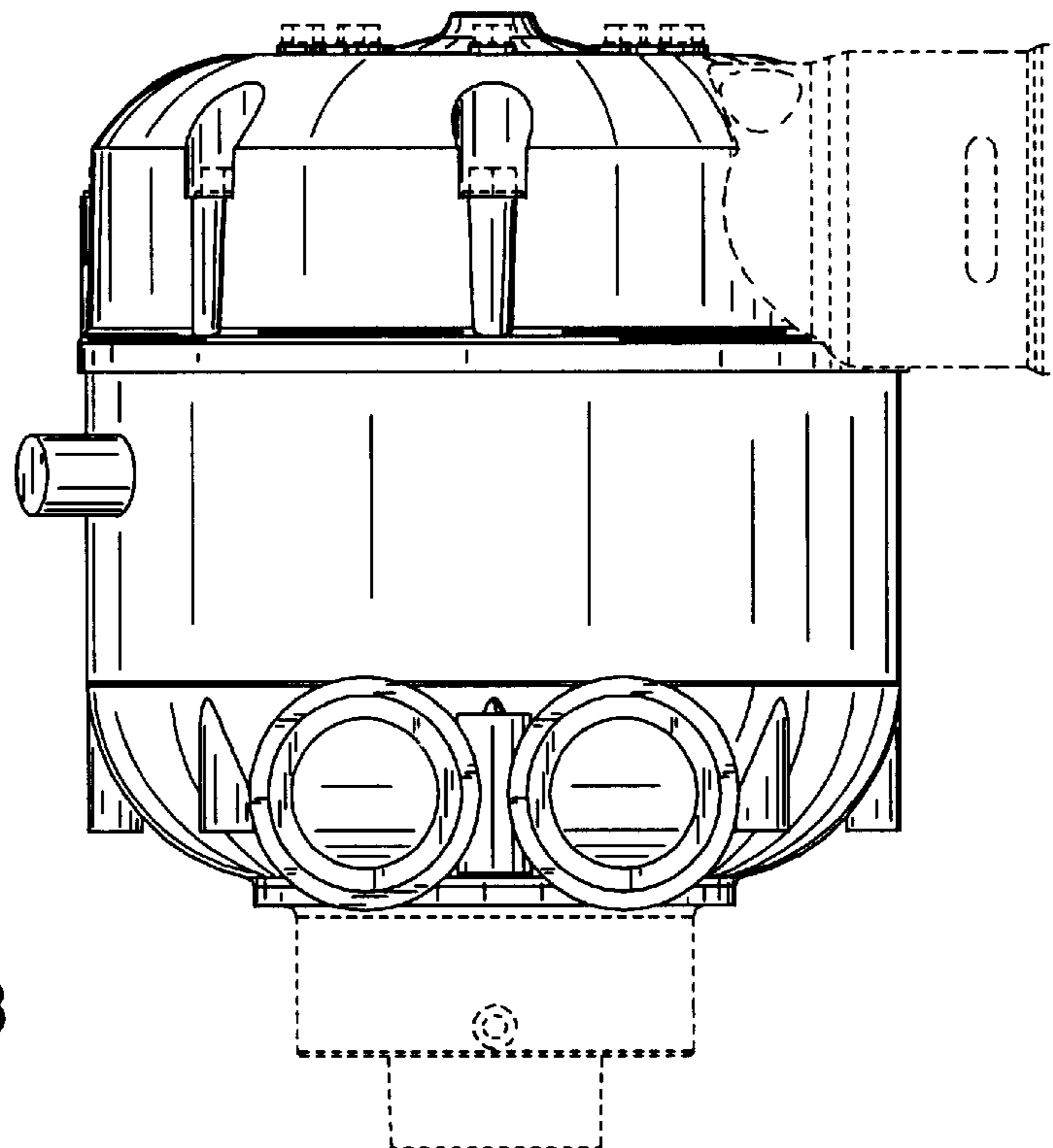


Fig.3



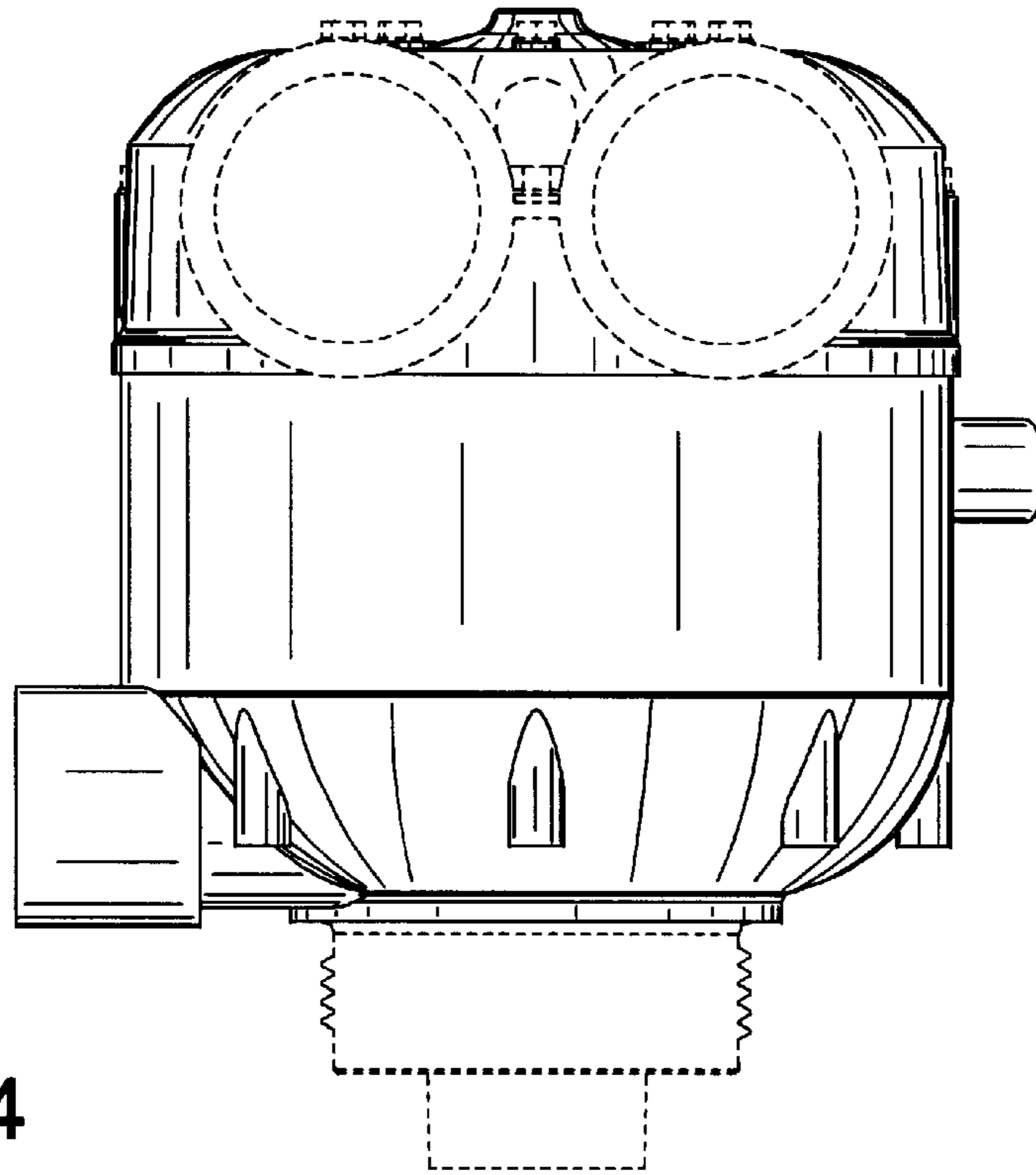


Fig.4

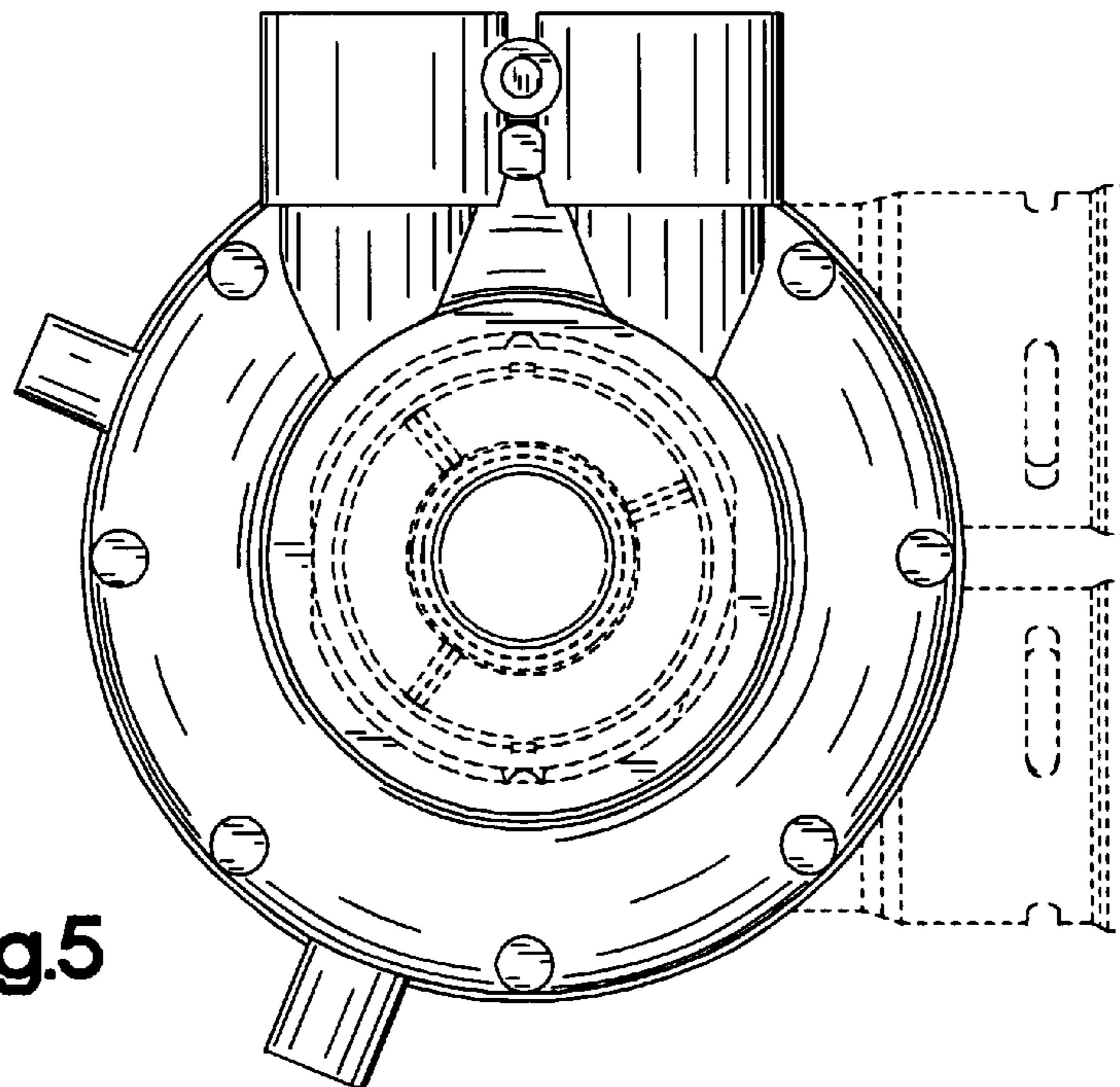


Fig.5

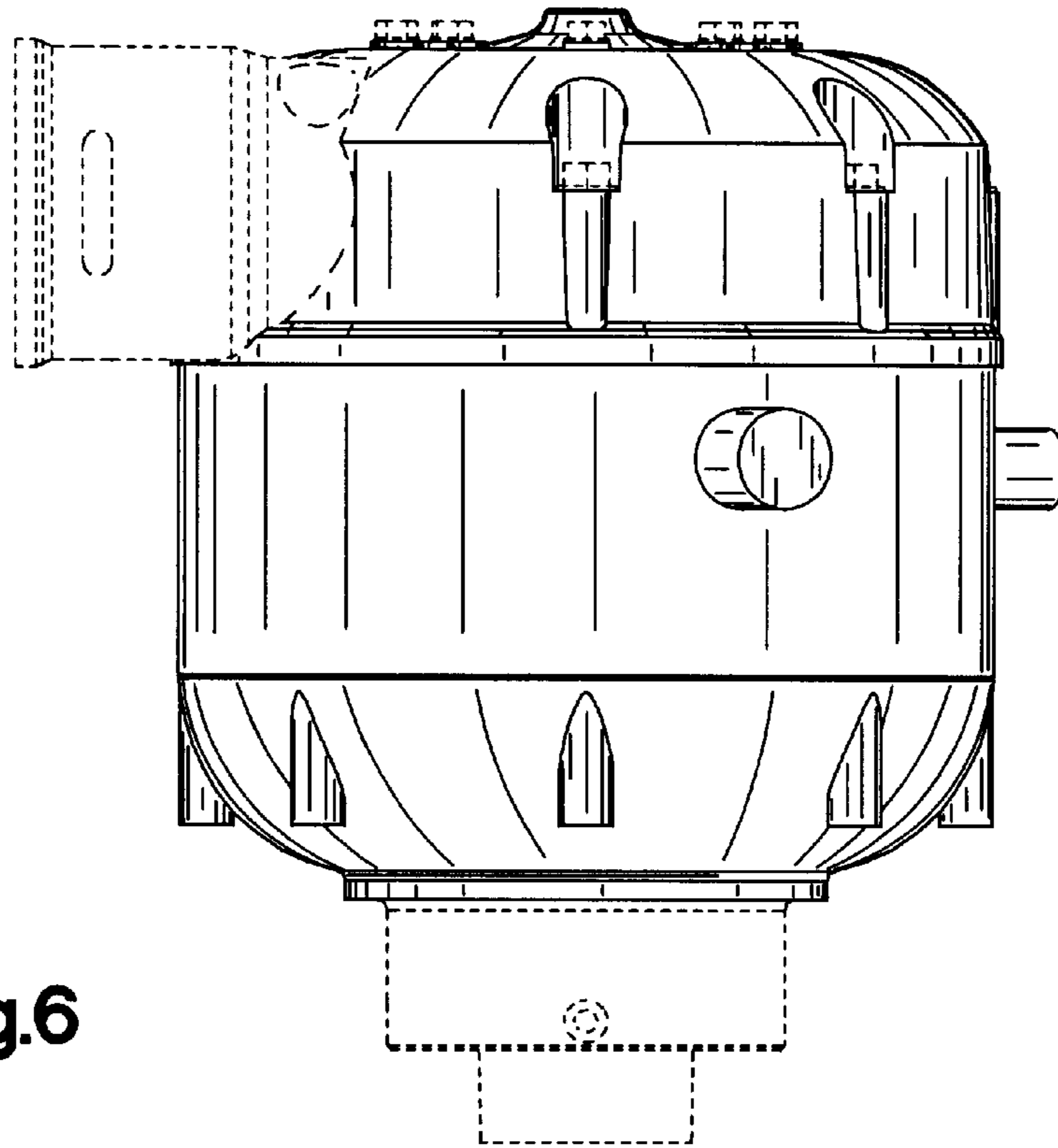


Fig.6

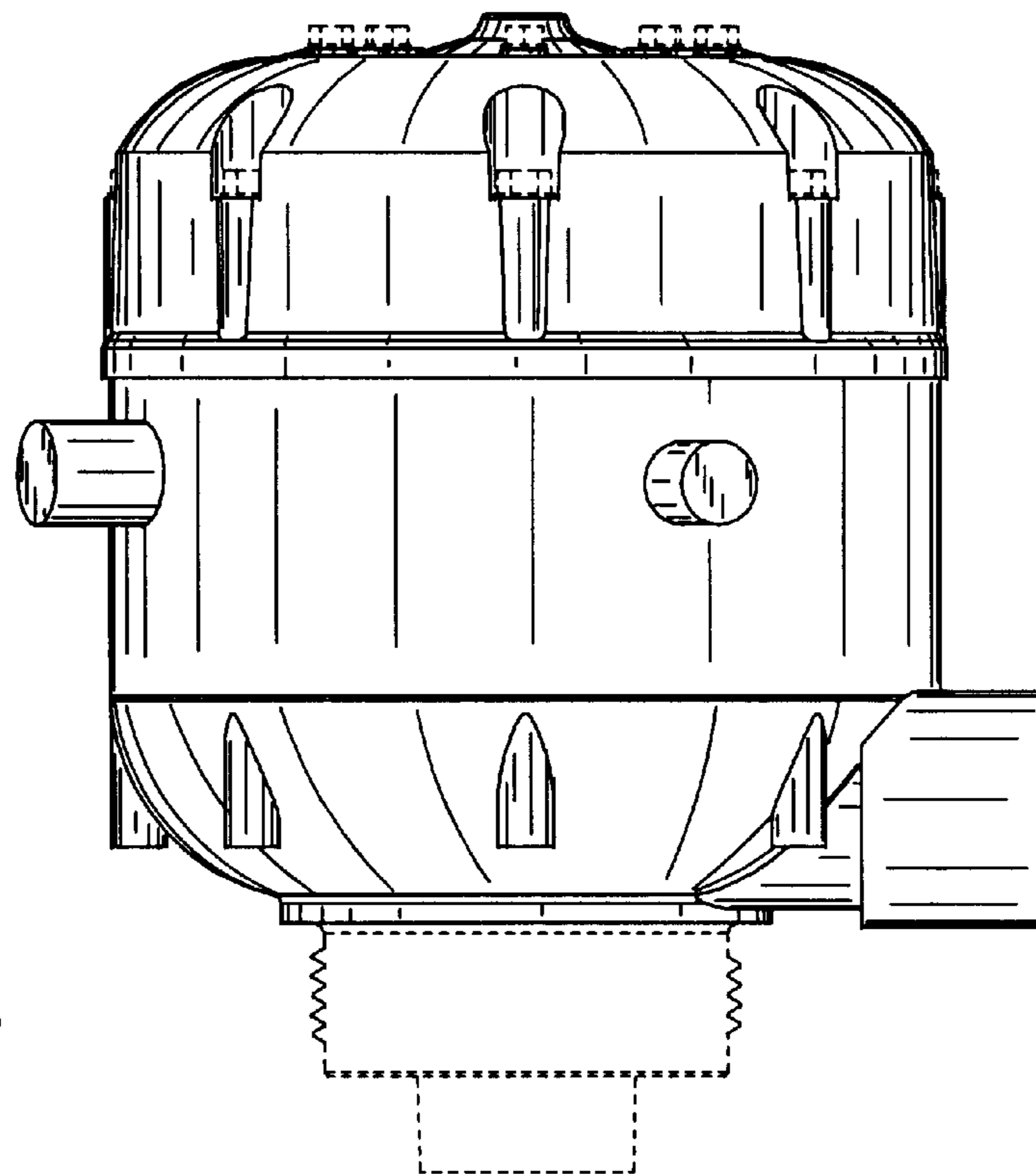


Fig.7