

US00D538889S

(12) **United States Design Patent**
Marstorp

(10) **Patent No.:** **US D538,889 S**

(45) **Date of Patent:** **** Mar. 20, 2007**

(54) **MULTIFUNCTIONAL VALVE**

(75) Inventor: **Leif Marstorp**, Ljung (SE)

(73) Assignee: **Tour & Andersson AB**, Ljung (SE)

(**) Term: **14 Years**

(21) Appl. No.: **29/243,436**

(22) Filed: **Nov. 23, 2005**

(51) **LOC (8) Cl.** **23-01**

(52) **U.S. Cl.** **D23/233**

(58) **Field of Classification Search** D23/233-237,
D23/244-249, 209, 214; 251/309, 368, 62,
251/63, 63.5, 129.1, 129.16, 129.17, 129.18;
137/15.04, 549, 597, 625.4, 625.29, 625.47;
210/418, 424

See application file for complete search history.

(56) **References Cited**

U.S. PATENT DOCUMENTS

5,107,896	A	*	4/1992	Otto	137/625.29
D344,785	S	*	3/1994	Brown et al.	D23/245
D348,507	S	*	7/1994	Plonka	D23/233
5,401,255	A	*	3/1995	Sutherland et al.	604/247
5,572,918	A	*	11/1996	Grundke et al.	91/417 R
D440,283	S	*	4/2001	Cain et al.	D23/244
6,347,640	B1	*	2/2002	Meyer	137/43

D478,965 S * 8/2003 Ferrer Beltran D23/233

* cited by examiner

Primary Examiner—Ian Simmons

Assistant Examiner—Maurice Stevens

(74) *Attorney, Agent, or Firm*—Davis & Bujold, P.L.L.C.

(57) **CLAIM**

The ornamental design for a multifunctional valve, as shown and described.

DESCRIPTION

FIG. 1 is a perspective view from the left of a first embodiment showing my new design;

FIG. 2 is a perspective view from behind and from the left of a first embodiment of the multifunctional valve shown in FIG. 1;

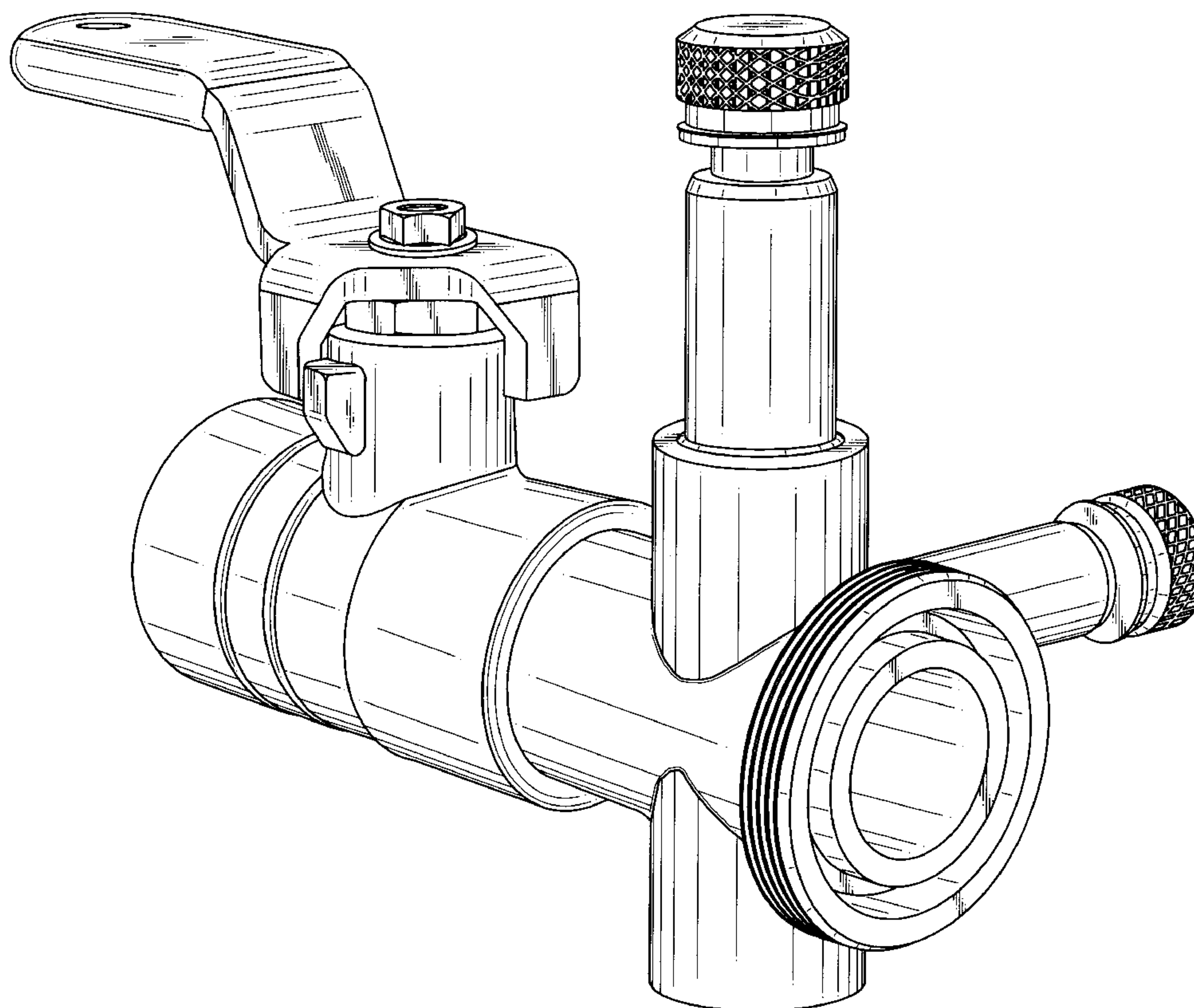
FIG. 3 is a perspective view from the right of a first embodiment of the multifunctional valve shown in FIG. 1;

FIG. 4 is a perspective view from the left of a second embodiment showing my new design;

FIG. 5 is a perspective view from behind and from the left of a second embodiment of the multifunctional valve shown in FIG. 4; and,

FIG. 6 is a perspective view from the right of a second embodiment of the multifunctional valve shown in FIG. 4.

1 Claim, 6 Drawing Sheets



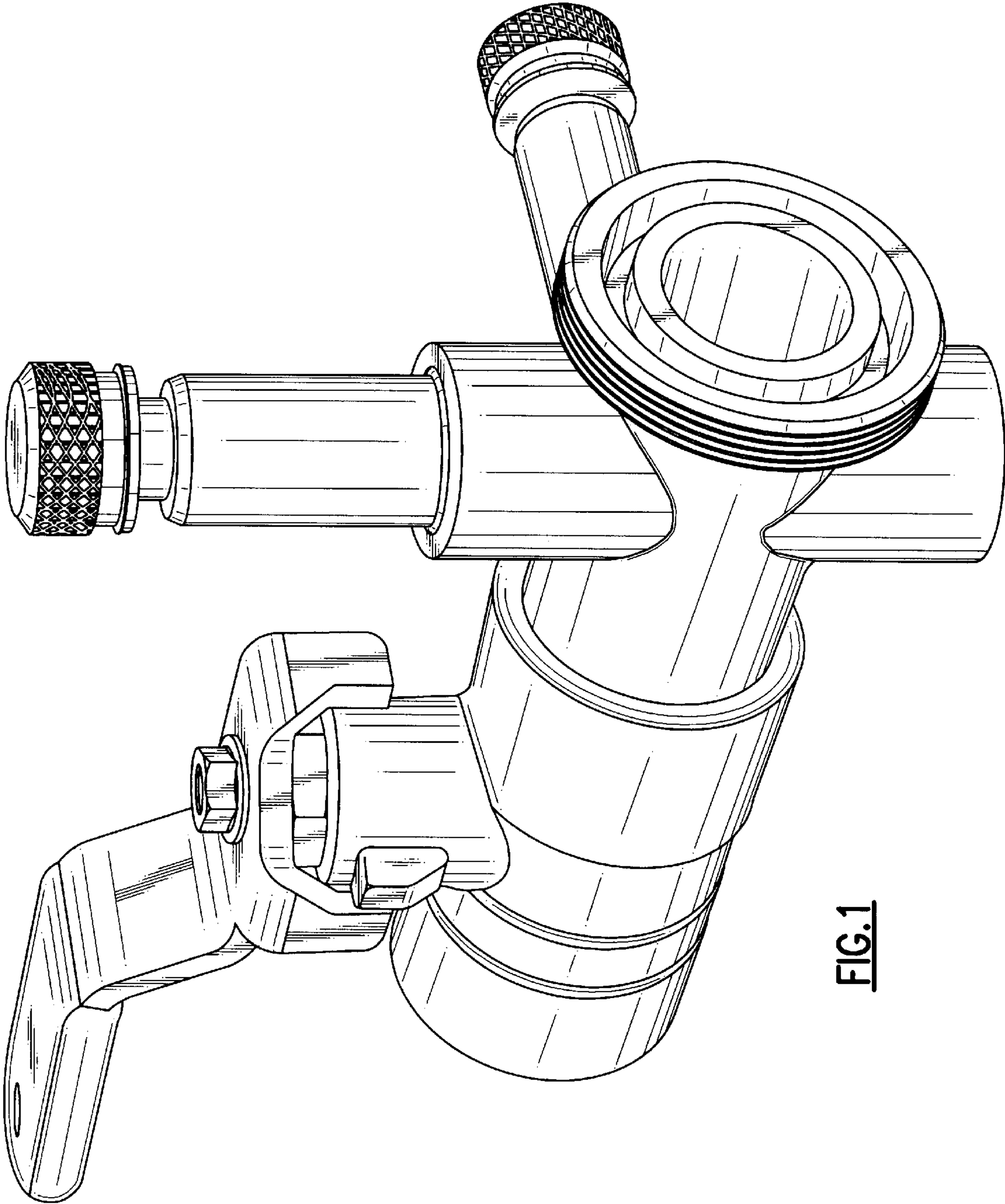


FIG. 1

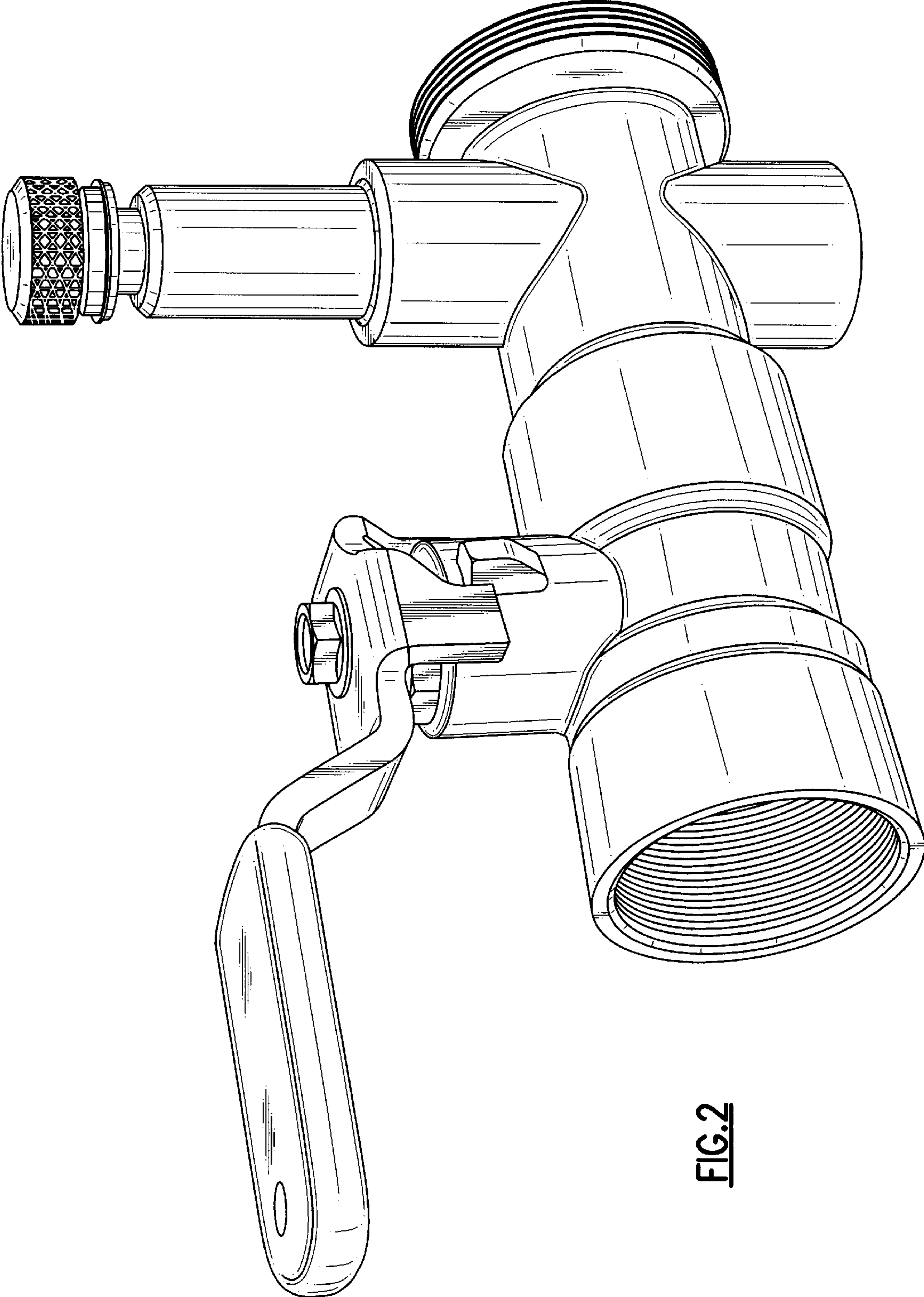


FIG. 2

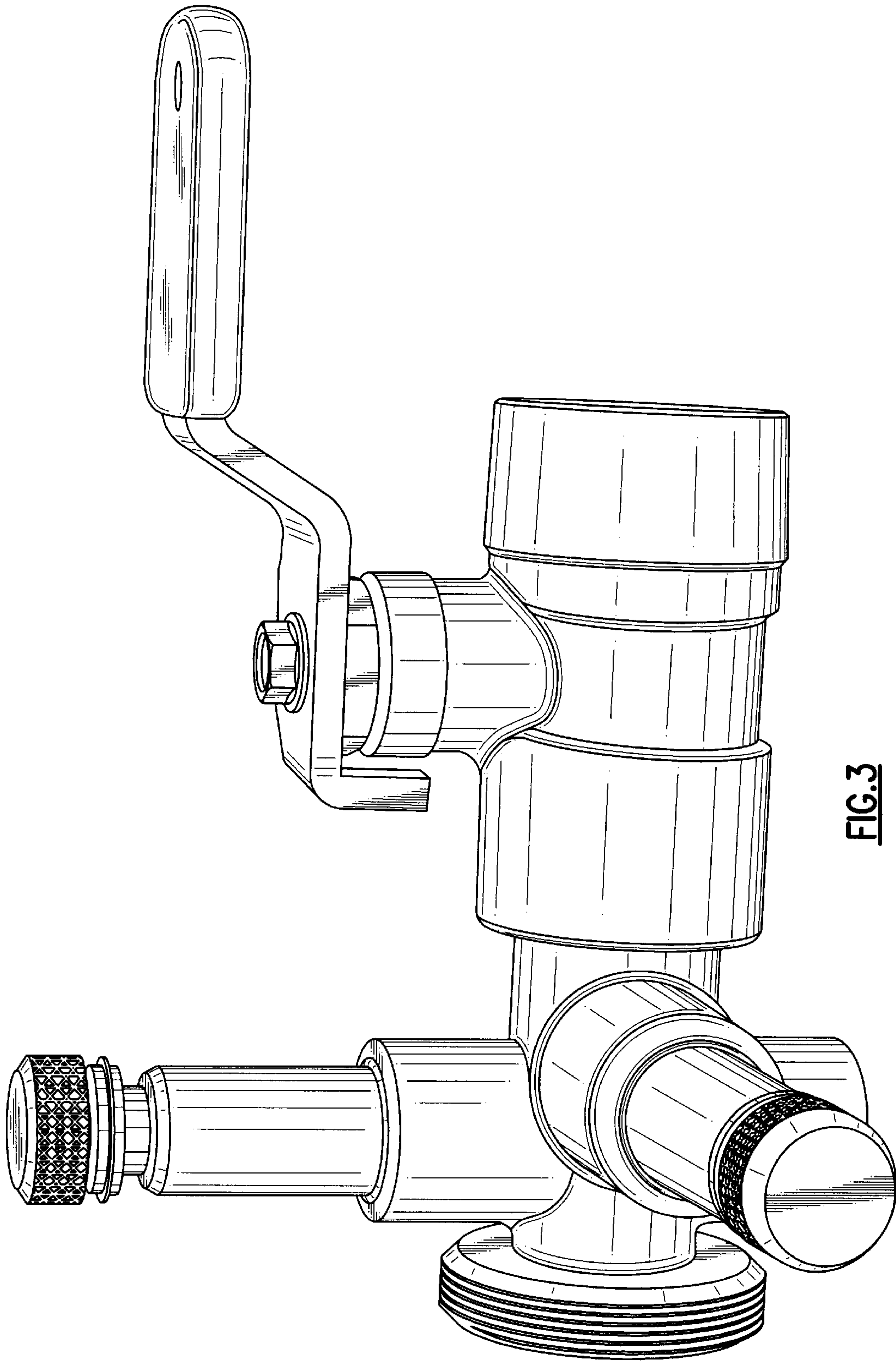


FIG. 3

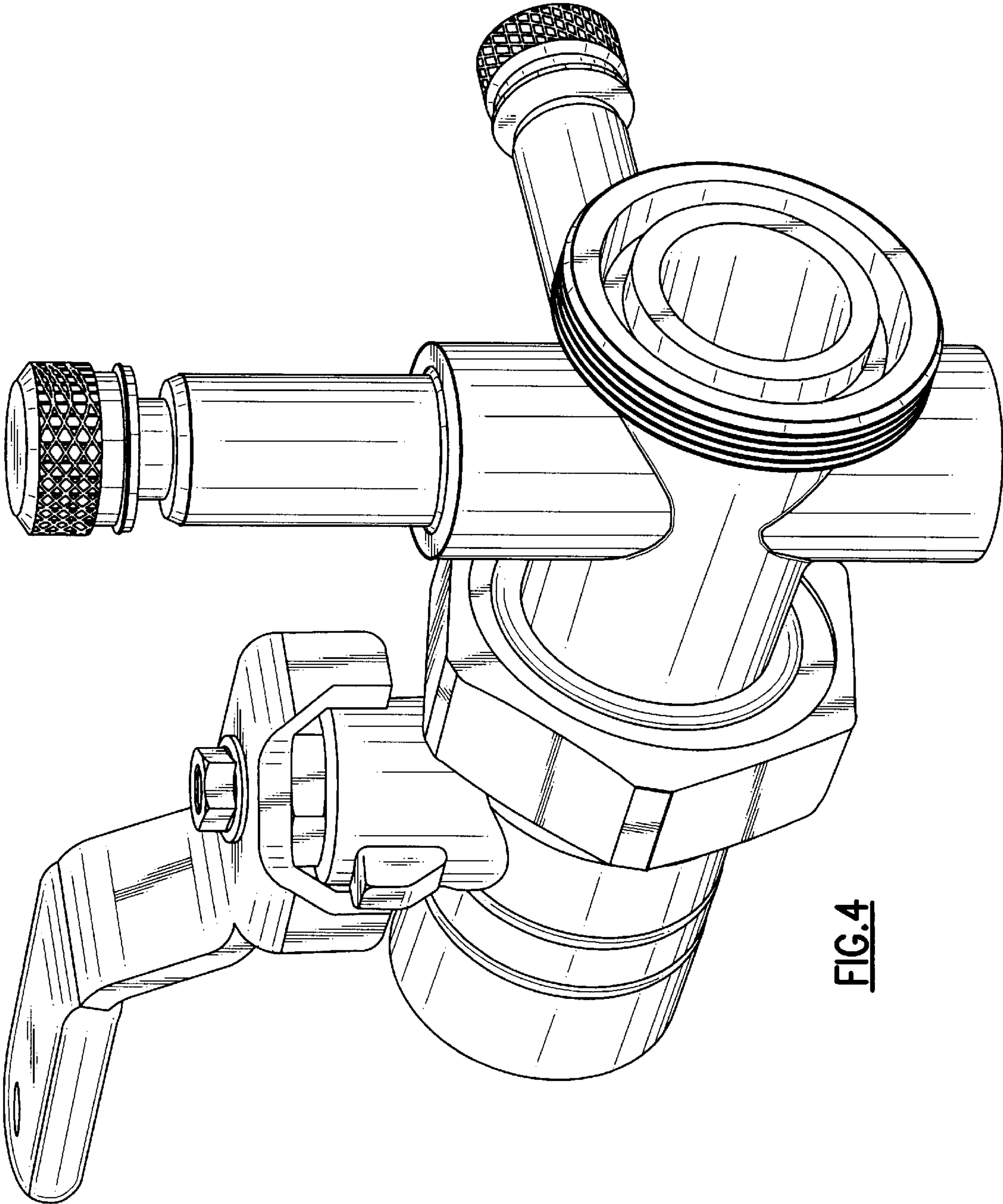


FIG. 4

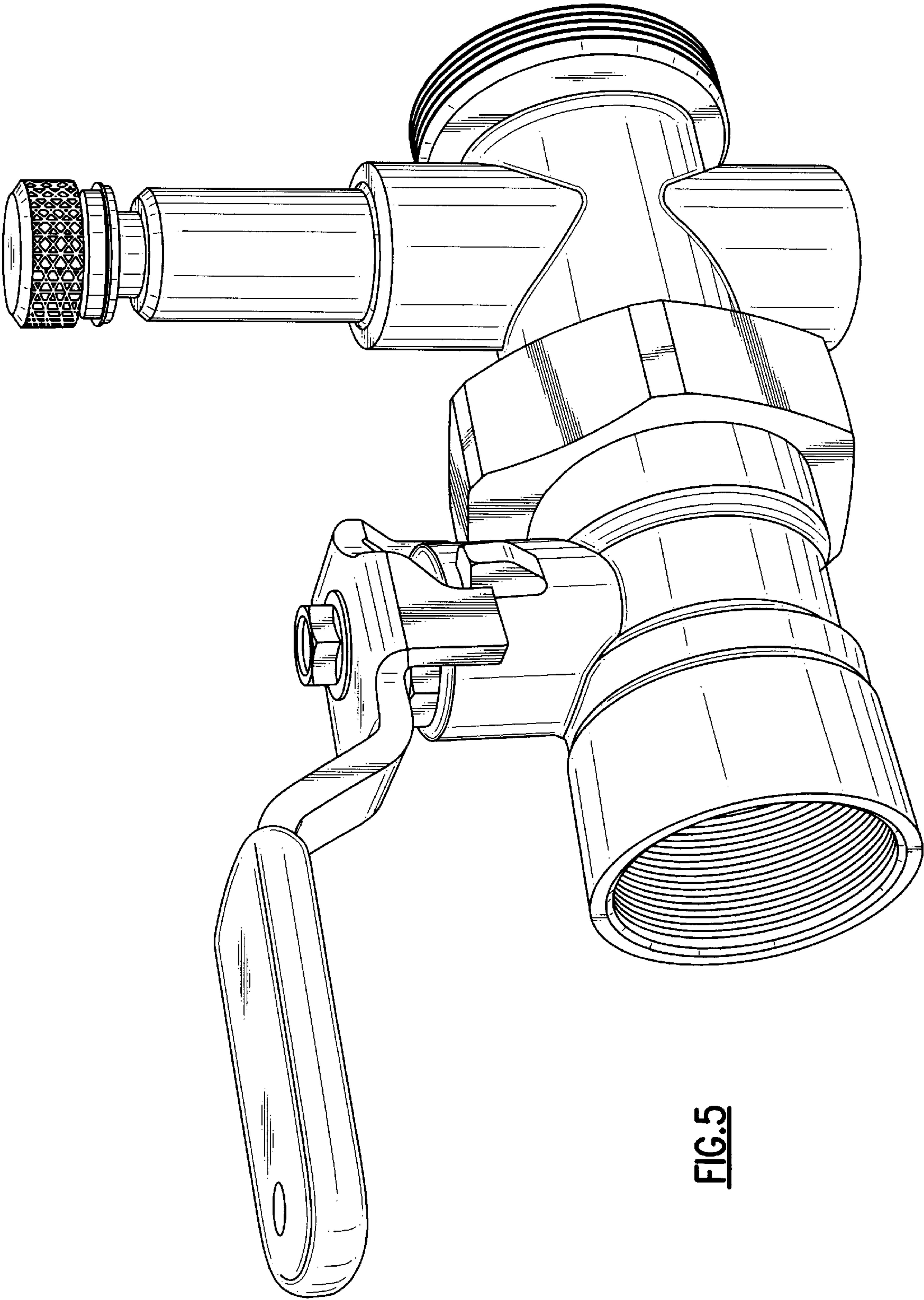


FIG. 5

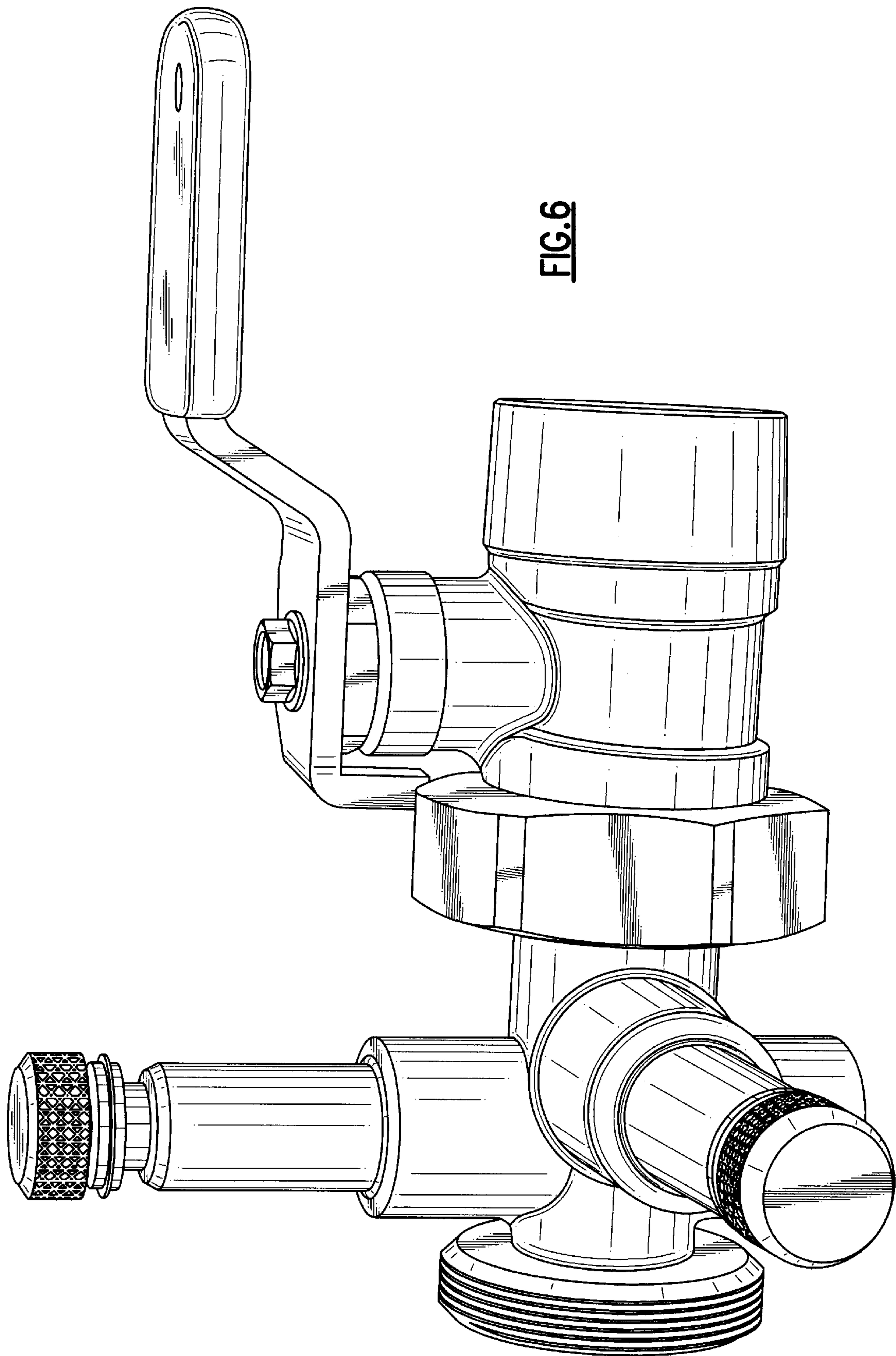


FIG. 6