

US00D53888S

(12) **United States Design Patent**
Moura De Oliveira

(10) **Patent No.:** **US D538,888 S**
(45) **Date of Patent:** **** Mar. 20, 2007**

(54) **FLOAT-OPERATED FEED VALVE**
(75) Inventor: **Antonio Manuel Moura De Oliveira,**
Aveiro (PT)

(73) Assignee: **Oliveira & Irmao, S.A.,** Esgueira (PT)

(**) Term: **14 Years**

(21) Appl. No.: **29/234,629**

(22) Filed: **Jul. 21, 2005**

(30) **Foreign Application Priority Data**

Jan. 21, 2005 (IT) MI2005O0009

(51) **LOC (8) Cl.** **23-01**

(52) **U.S. Cl.** **D23/233**

(58) **Field of Classification Search** D23/233-237,
D23/244-249, 250, 254; 251/120, 243, 236-238,
251/215-216, 144-145, 148, 61, 4; 137/549,
137/556, 315.08, 390, 360, 413-414, 432,
137/441, 218, 426, 436

See application file for complete search history.

(56) **References Cited**

U.S. PATENT DOCUMENTS

D421,788 S * 3/2000 Kingman et al. D23/236
D517,646 S * 3/2006 Rodriguez D23/233

D518,148 S * 3/2006 Rodriguez et al. D23/233
D519,605 S * 4/2006 Rodriguez et al. D23/233
D520,111 S * 5/2006 Cheng D23/233

* cited by examiner

Primary Examiner—Ian Simmons

Assistant Examiner—Maurice Stevens

(74) *Attorney, Agent, or Firm*—Greenblum & Bernstein,
P.L.C.

(57) **CLAIM**

The ornamental design for a float-operated feed valve, as shown and described.

DESCRIPTION

FIG. 1 is a view in perspective of a float-operated feed valve in accordance with a first design;
FIG. 2 is top plan view thereof;
FIG. 3 is an underside plan view thereof;
FIG. 4 is a front view thereof;
FIG. 5 is a left side view thereof;
FIG. 6 is a rear view thereof; and,
FIG. 7 is a right side view thereof.

The broken line shown in FIGS. 1, and 3-7 are included for the purpose of illustrating environment and forms no part of the claimed design.

1 Claim, 3 Drawing Sheets

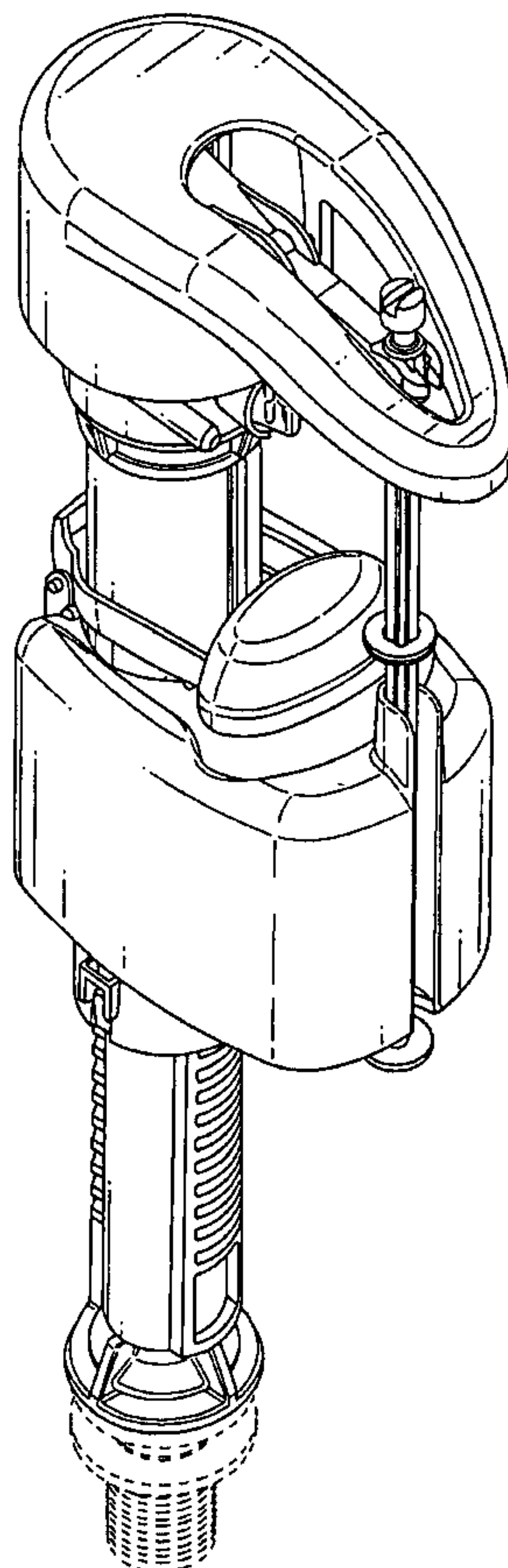


FIG. 2

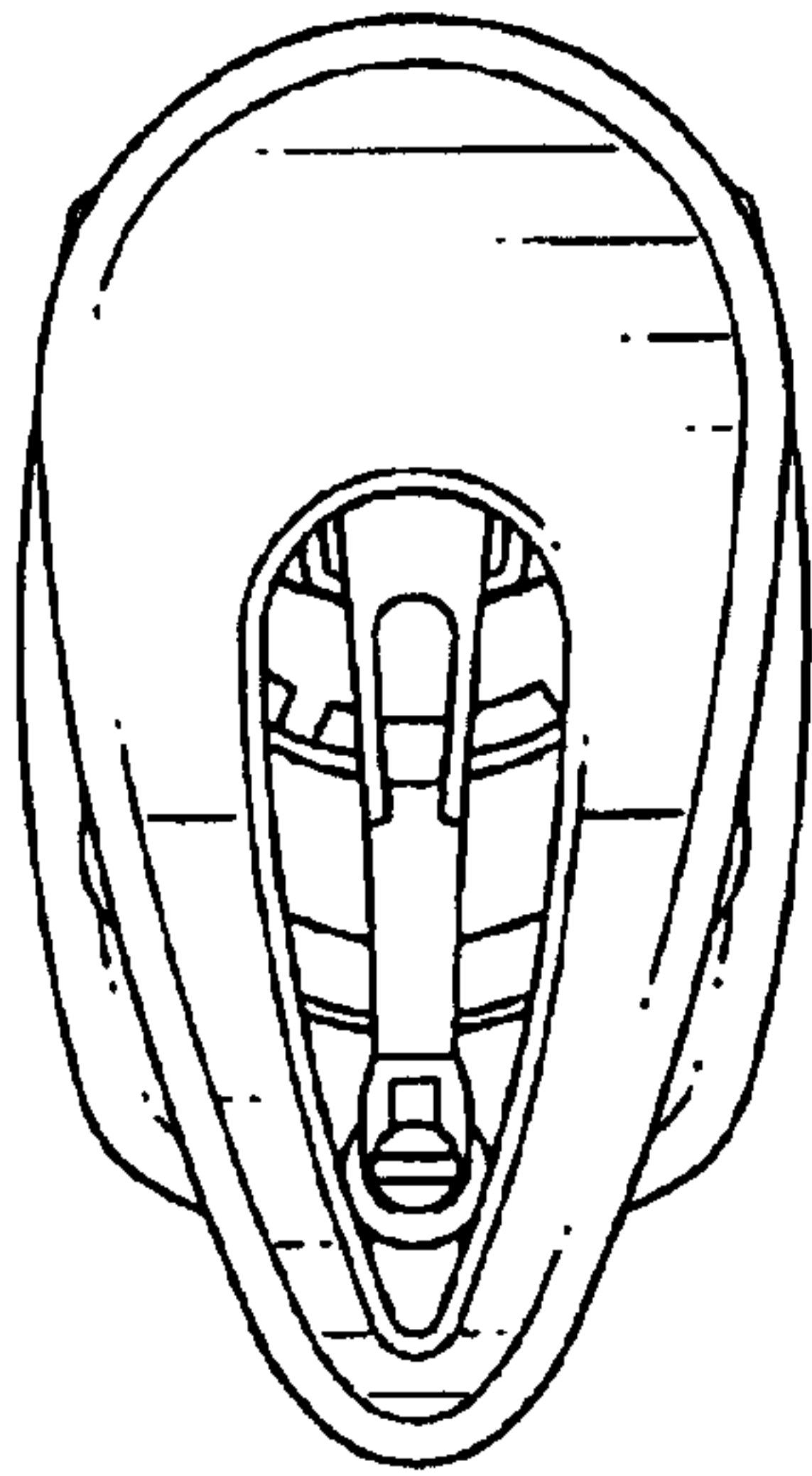


FIG. 3

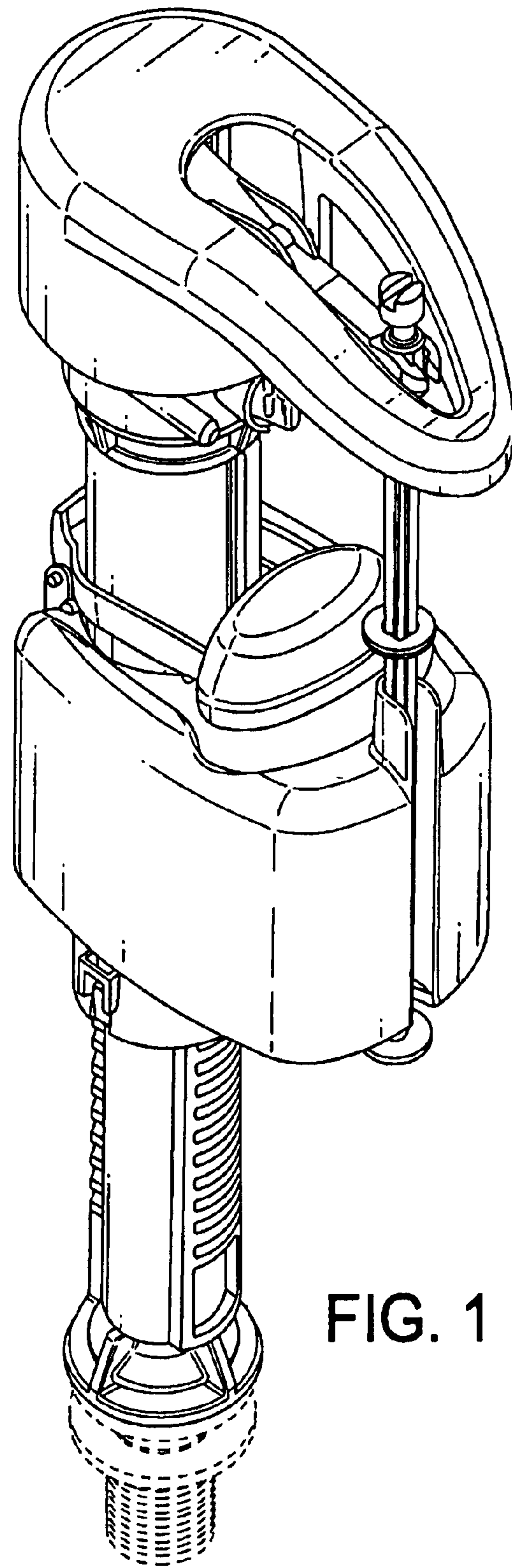
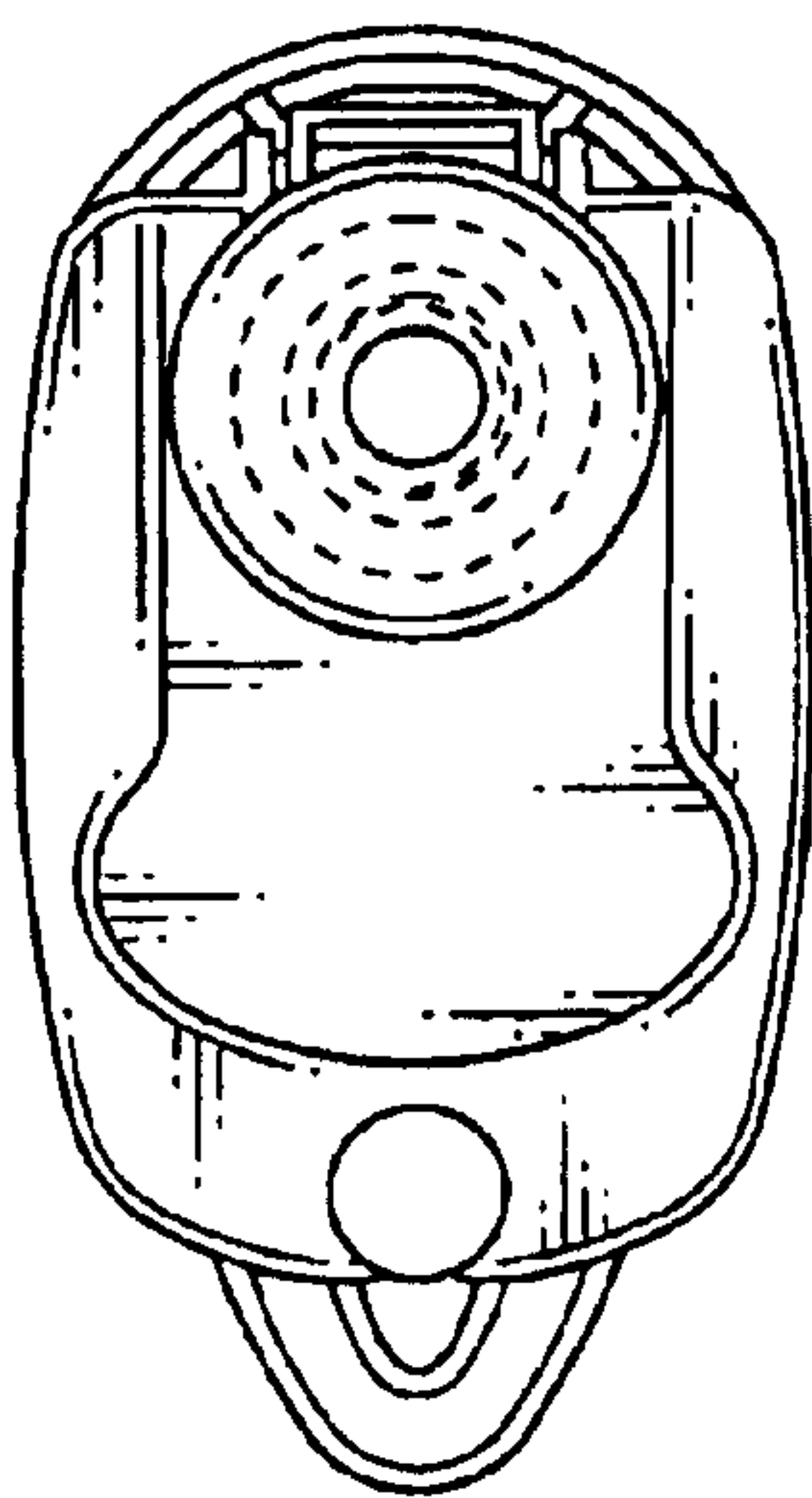


FIG. 1

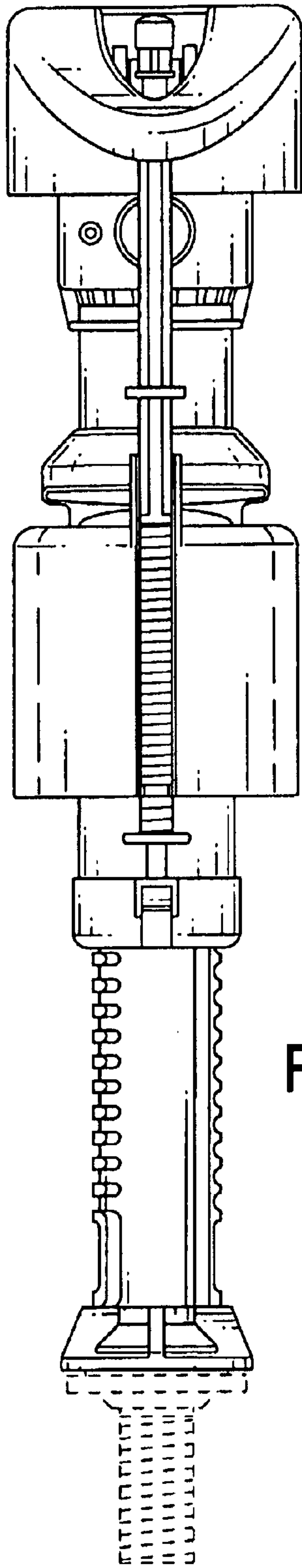


FIG. 4

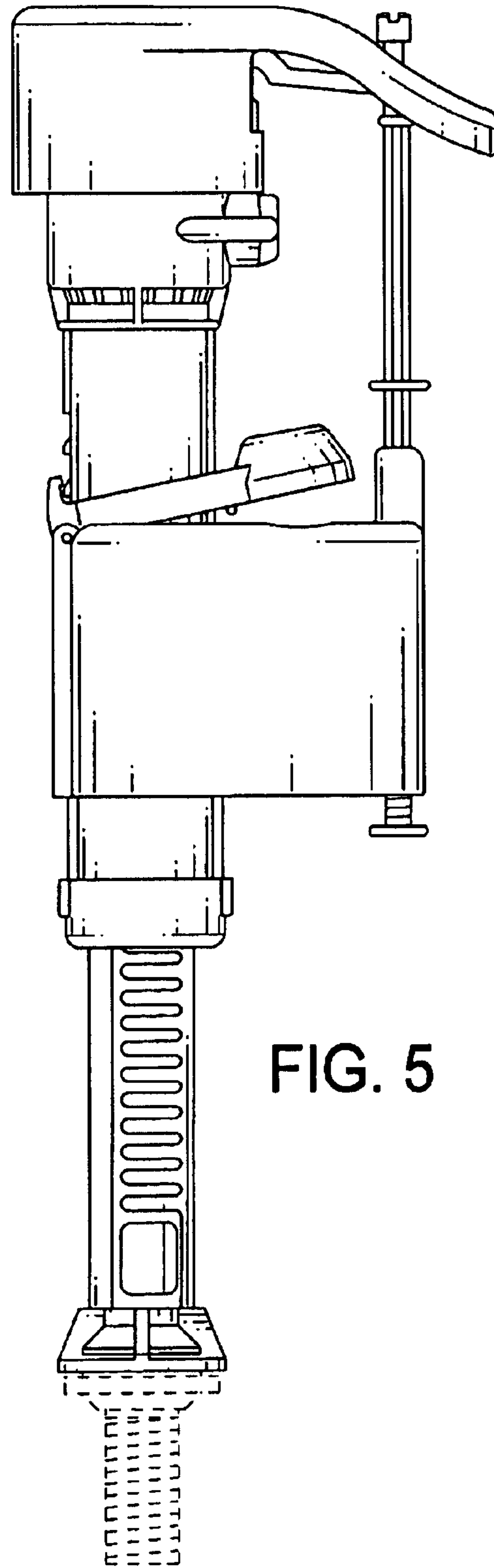


FIG. 5

