



US00D538884S

(12) **United States Design Patent**
Fontaine

(10) **Patent No.:** **US D538,884 S**
(45) **Date of Patent:** **** Mar. 20, 2007**

(54) **MODIFIED ERGONOMIC SPRAYER HANDLE**

(75) Inventor: **James R. Fontaine**, Matilla, NY (US)

(73) Assignee: **Chapin Manufacturing, Inc.**, Batavia, NY (US)

(**) Term: **14 Years**

(21) Appl. No.: **29/233,469**

(22) Filed: **Jul. 5, 2005**

(51) **LOC (8) Cl.** **23-01**

(52) **U.S. Cl.** **D23/223**

(58) **Field of Classification Search** D23/213,
D23/223, 226; 239/525, 526
See application file for complete search history.

(56) **References Cited**

U.S. PATENT DOCUMENTS

D382,937 S	*	8/1997	Shfaram	D23/223
D512,122 S	*	11/2005	Yorns et al.	D23/223
D523,924 S	*	6/2006	Byron	D23/213

* cited by examiner

Primary Examiner—Robin Webster

(74) *Attorney, Agent, or Firm*—Kenneth J. LuKacher

(57) **CLAIM**

The ornamental design for a modified ergonomic sprayer handle, as shown.

DESCRIPTION

FIG. 1 is a right side view of a modified ergonomic sprayer handle according to the present invention;

FIG. 2 is a left side view of the sprayer handle shown in FIG. 1;

FIG. 3 is a bottom view of the sprayer handle shown in FIG. 1;

FIG. 4 is a top view of the sprayer handle shown in FIG. 1;

FIG. 5 is a front view of the sprayer handle shown in FIG. 1 and

FIG. 6 is a back view of the sprayer handle shown in FIG. 1.

FIG. 7 is a right side view of an alternate modified ergonomic sprayer handle according to the present invention;

FIG. 8 is a left side view of the sprayer handle shown in FIG. 7;

FIG. 9 is a bottom view of the sprayer handle shown in FIG. 7;

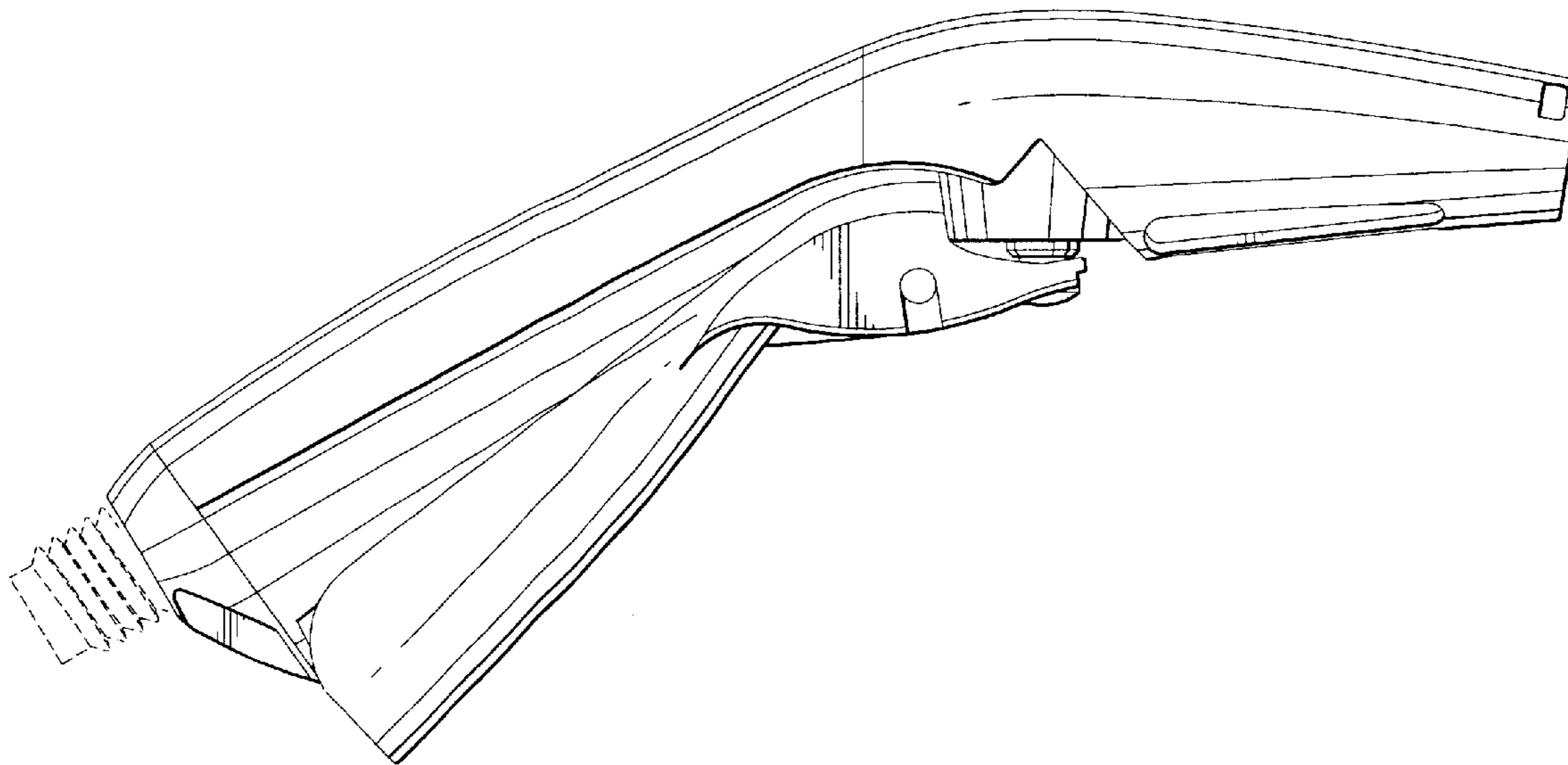
FIG. 10 is a top view of the sprayer handle shown in FIG. 7;

FIG. 11 is a front view of the sprayer handle shown in FIG. 7; and,

FIG. 12 is a back view of the sprayer handle shown in FIG. 7.

The broken line showing is for illustrative purposes only and forms no part of the claimed design.

1 Claim, 6 Drawing Sheets



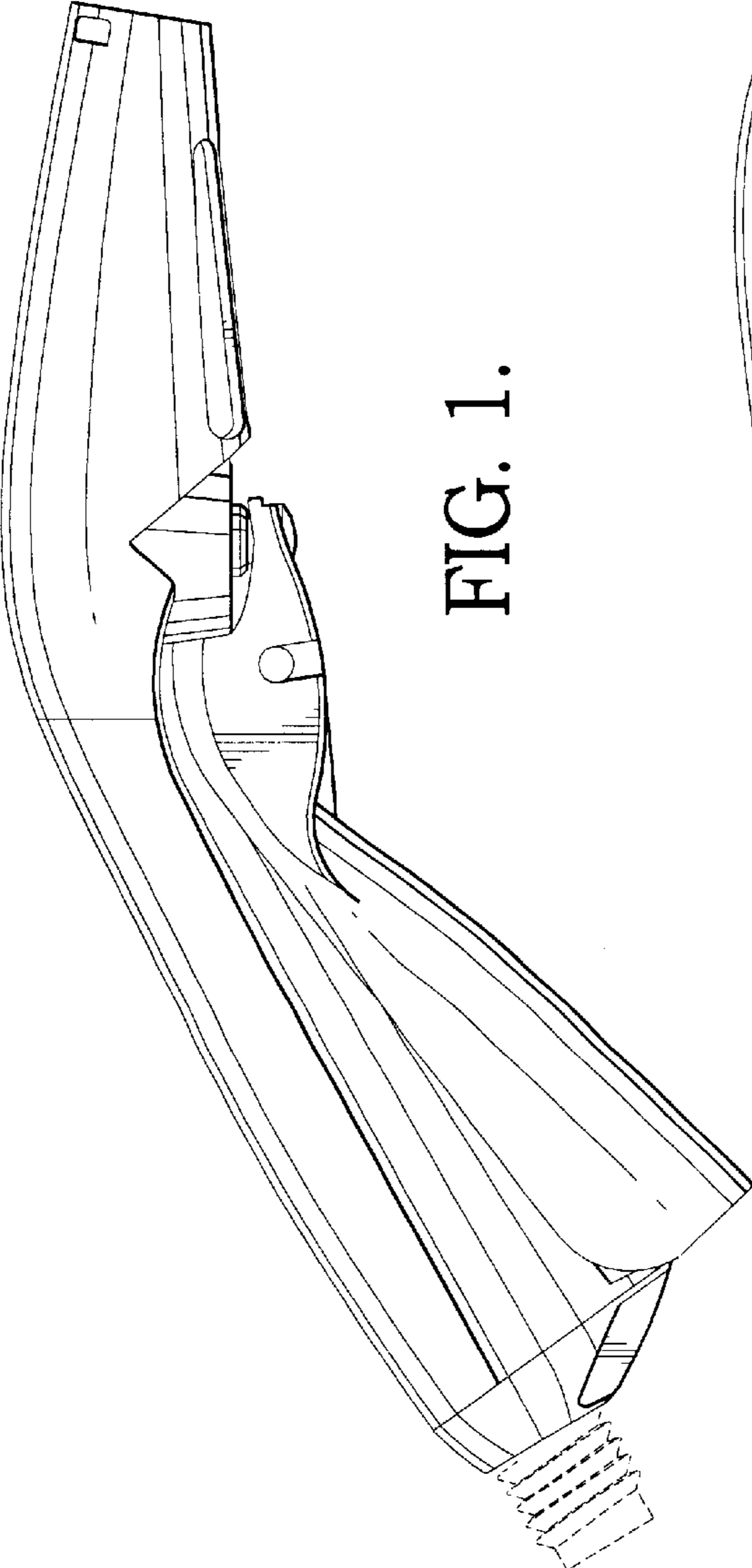


FIG. 1.

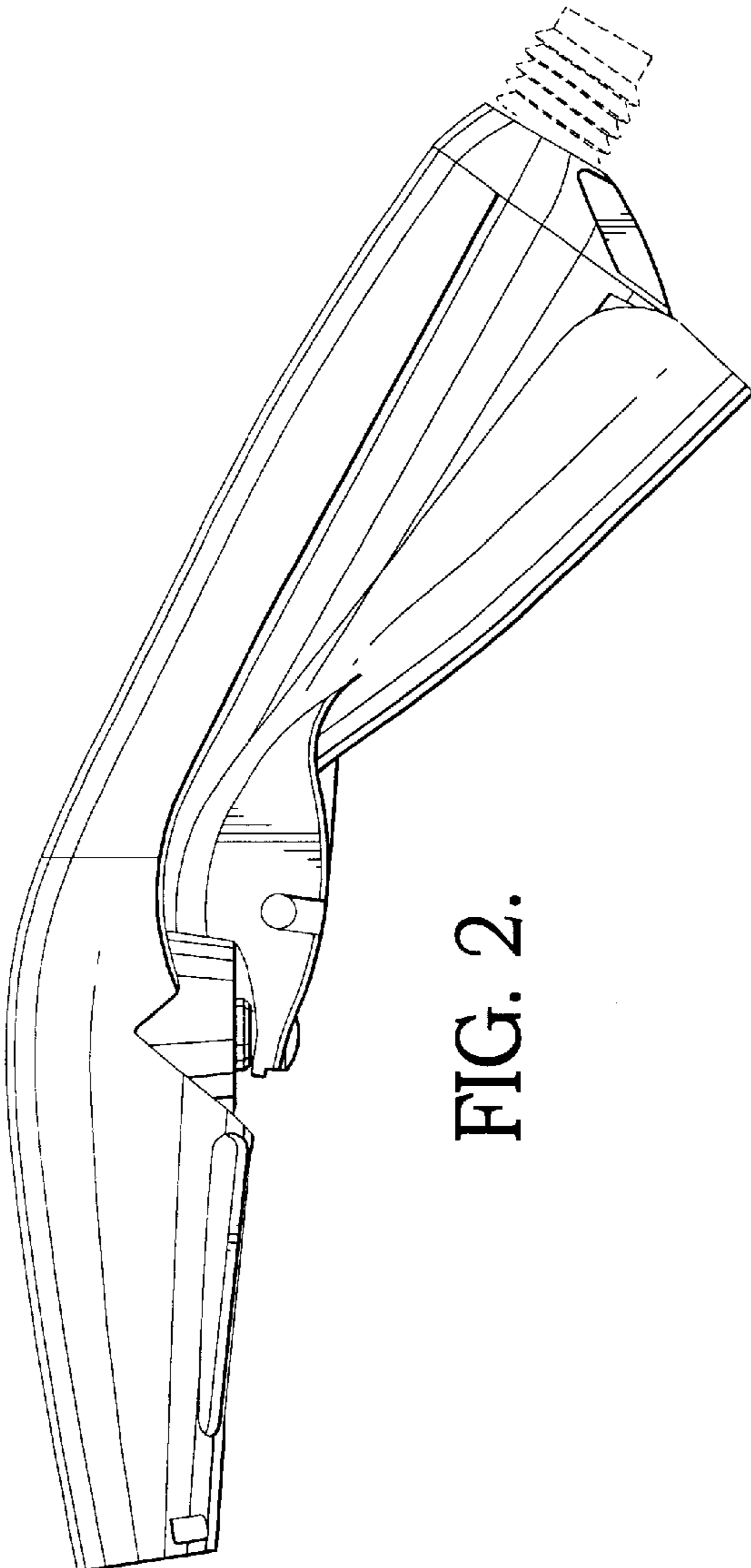


FIG. 2.

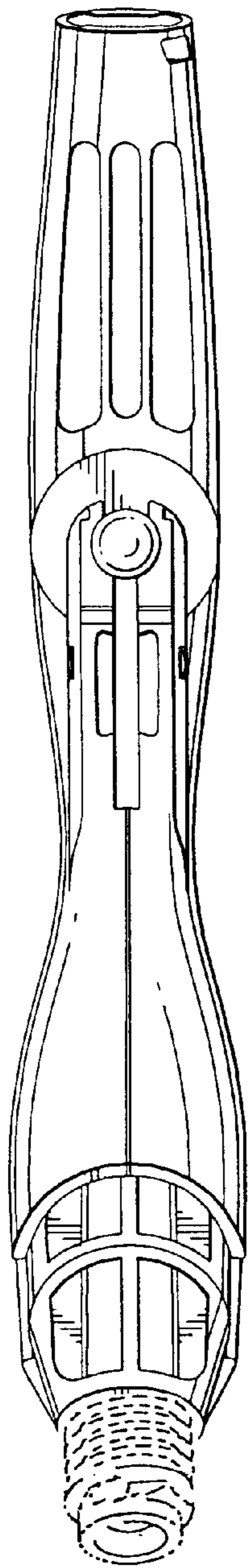


FIG. 3.

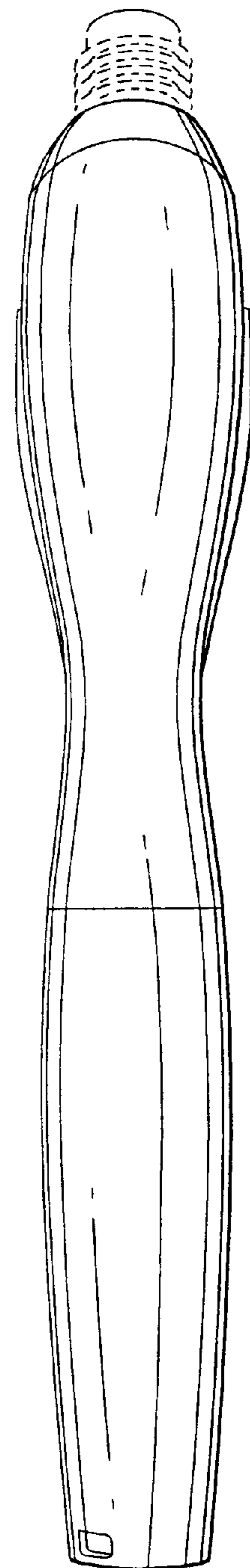


FIG. 4.

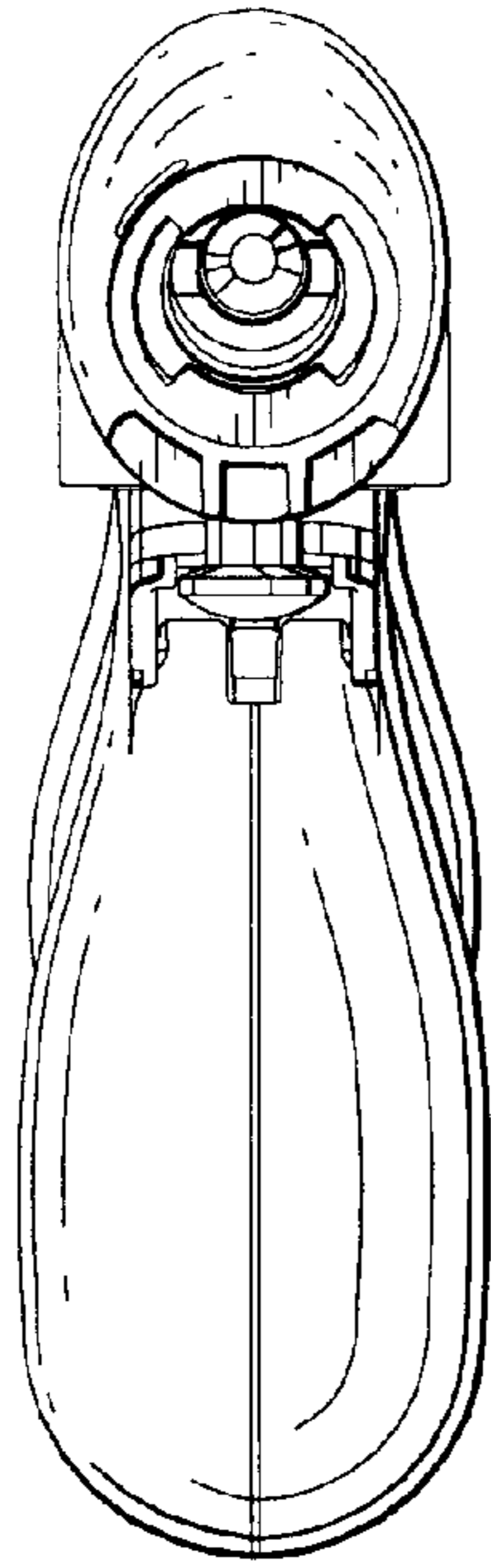


FIG. 5.

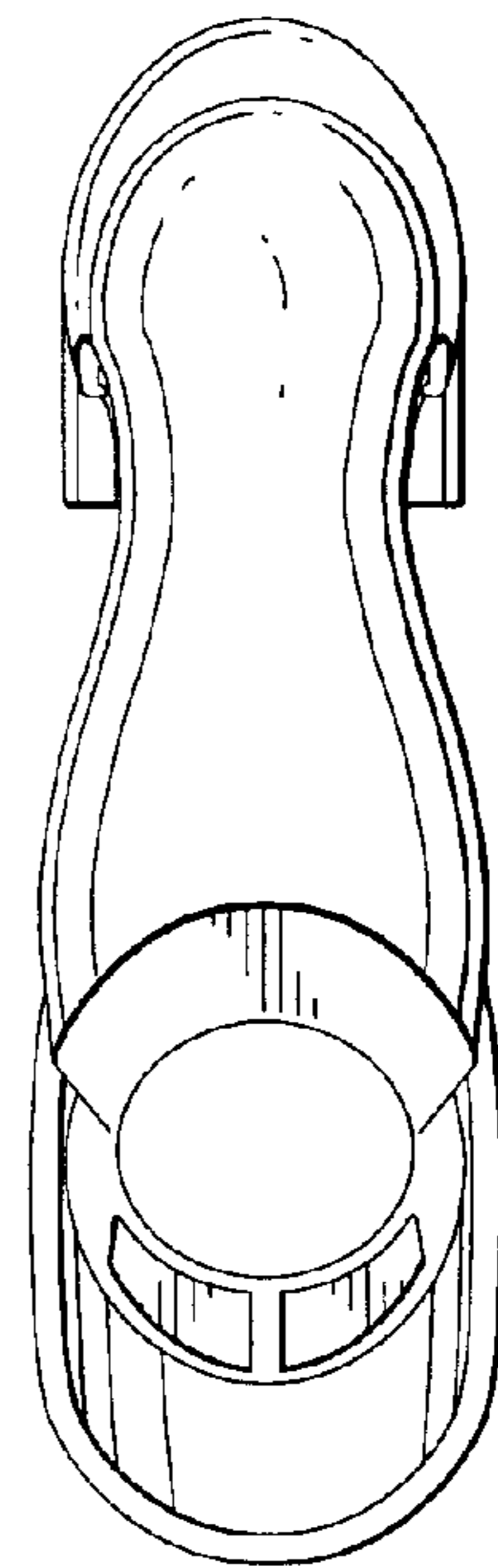


FIG. 6.

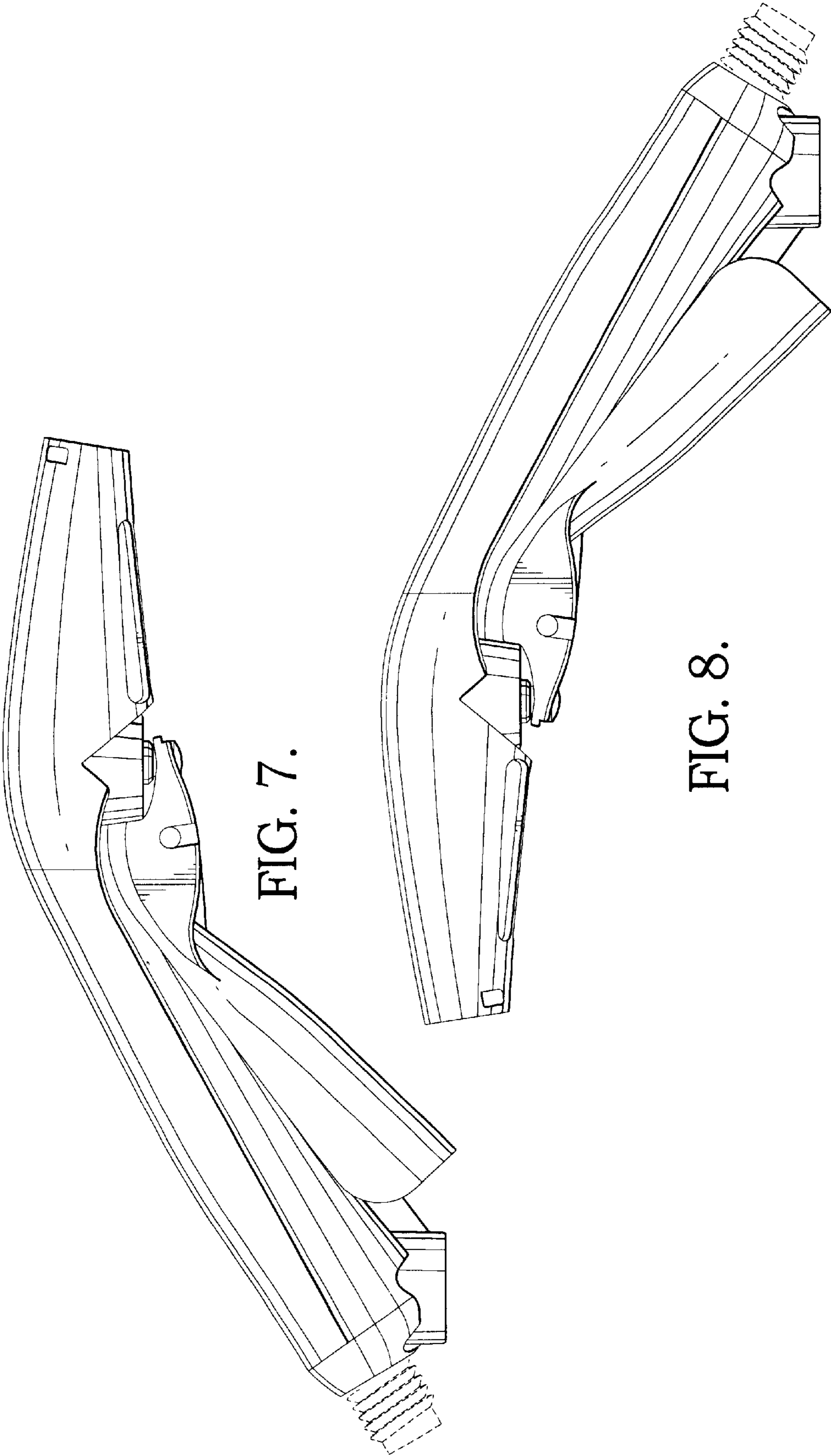


FIG. 7.

FIG. 8.

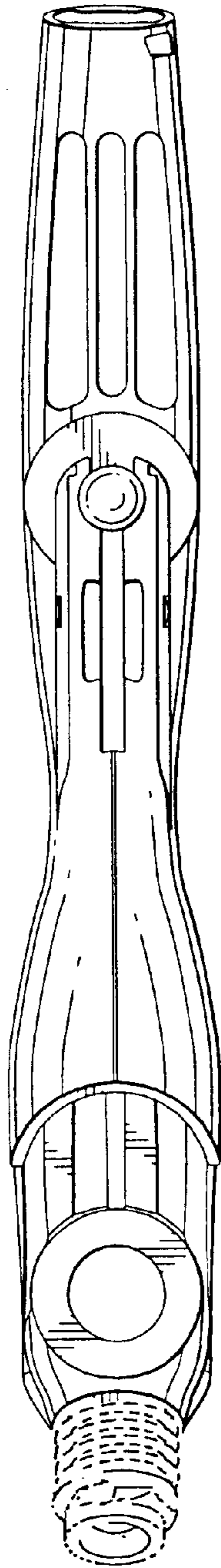


FIG. 9.

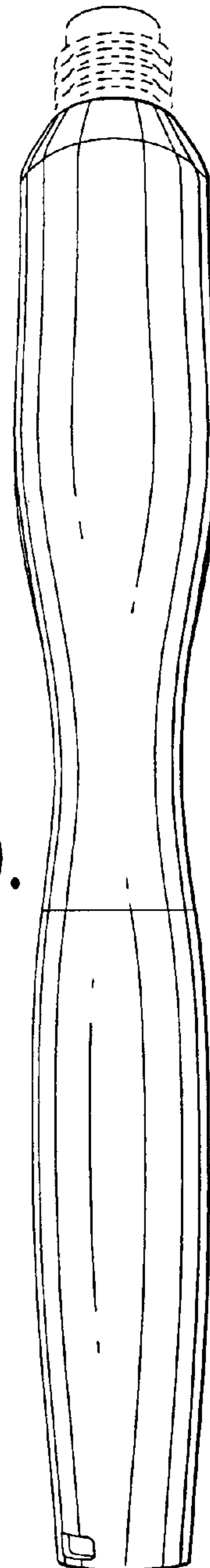


FIG. 10.

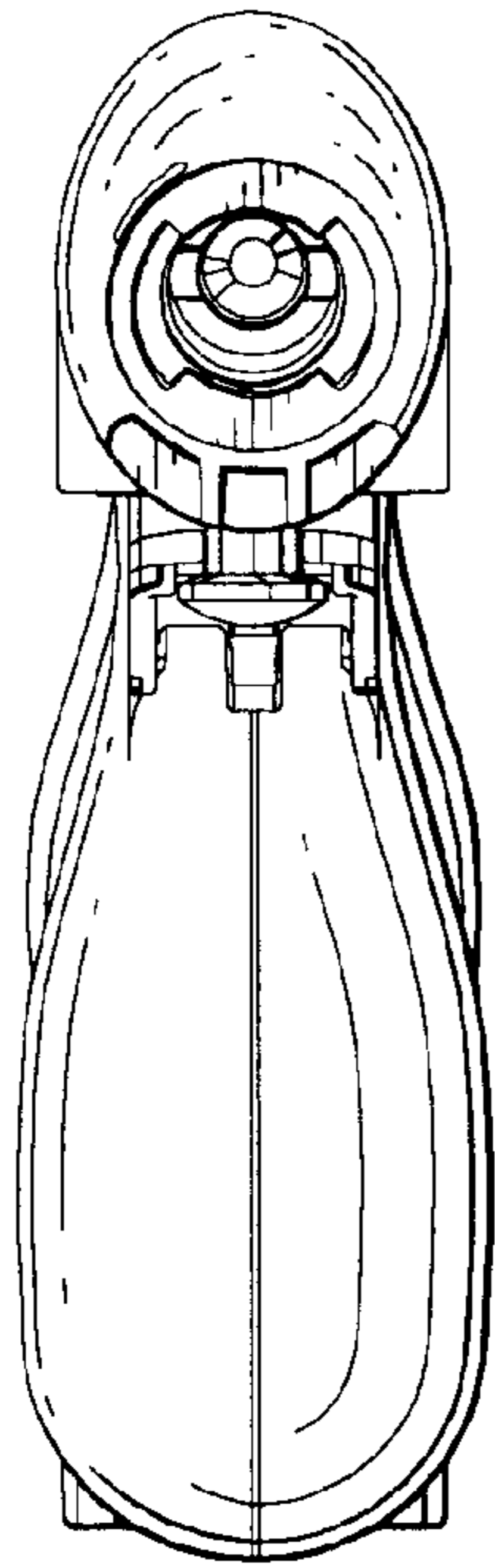


FIG. 11.



FIG. 12.