



US00D538879S

(12) **United States Design Patent**
Chen et al.

(10) **Patent No.:** **US D538,879 S**

(45) **Date of Patent:** **** Mar. 20, 2007**

(54) **PORTABLE INSECT REPELLER AND ELECTROSTATIC DEVICE**

(76) Inventors: **Justine Chen**, 2822 N. Durfee Ave., El Monte, CA (US) 91732; **Simon Ly**, 1 Industry 3rd Road, Nanhai Ave., Shekou, Shenzhen (CN)

(**) Term: **14 Years**

(21) Appl. No.: **29/234,622**

(22) Filed: **Jul. 19, 2005**

(51) **LOC (8) Cl.** **22-06**

(52) **U.S. Cl.** **D22/123**

(58) **Field of Classification Search** D22/119–125; 43/60–69, 124, 112–113, 131; 206/811; D3/294
See application file for complete search history.

(56) **References Cited**

U.S. PATENT DOCUMENTS

- D304,064 S * 10/1989 Yuen D22/120
- D467,296 S * 12/2002 Chan D22/122
- D469,147 S * 1/2003 Levine D22/120
- D469,499 S * 1/2003 Levine D22/120

D516,812 S * 3/2006 Pangerc et al. D3/294

* cited by examiner

Primary Examiner—Catherine R. Oliver

(74) *Attorney, Agent, or Firm*—Tope-McKay & Associates

(57) **CLAIM**

The ornamental design for a portable insect repeller and electrostatic device, as shown and described.

DESCRIPTION

FIG. 1 is a front perspective view of a portable insect repeller and electrostatic device incorporating our new design;

FIG. 2 is a front elevational view thereof;

FIG. 3 is a rear elevational view thereof;

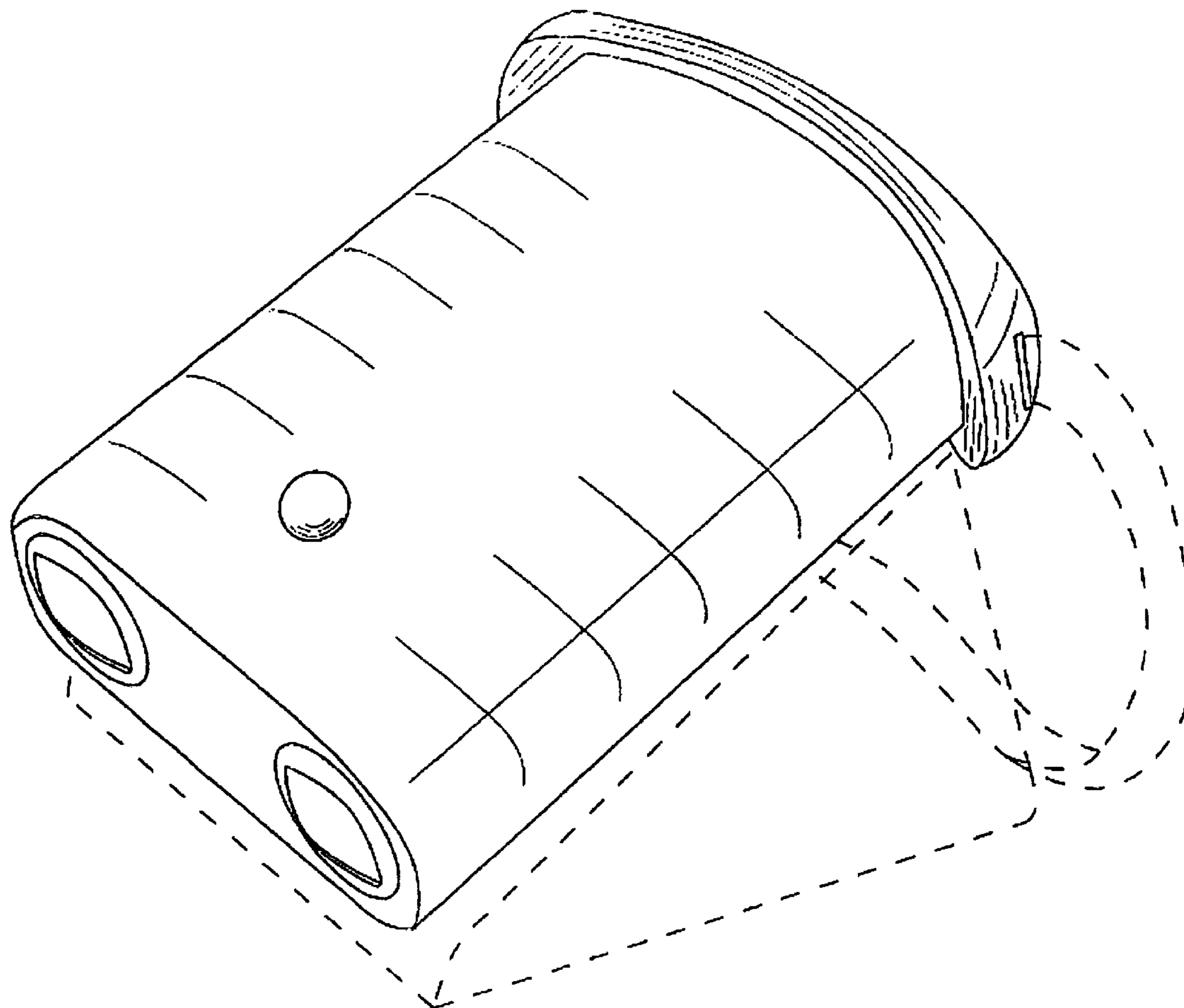
FIG. 4 is a top plan view thereof;

FIG. 5 is a bottom plan view thereof; and,

FIG. 6 is a left side view thereof, the right side view being a mirror image.

The broken line showing of environment in FIG. 1 is for illustrative purposes only and forms no part of the claimed design.

1 Claim, 6 Drawing Sheets



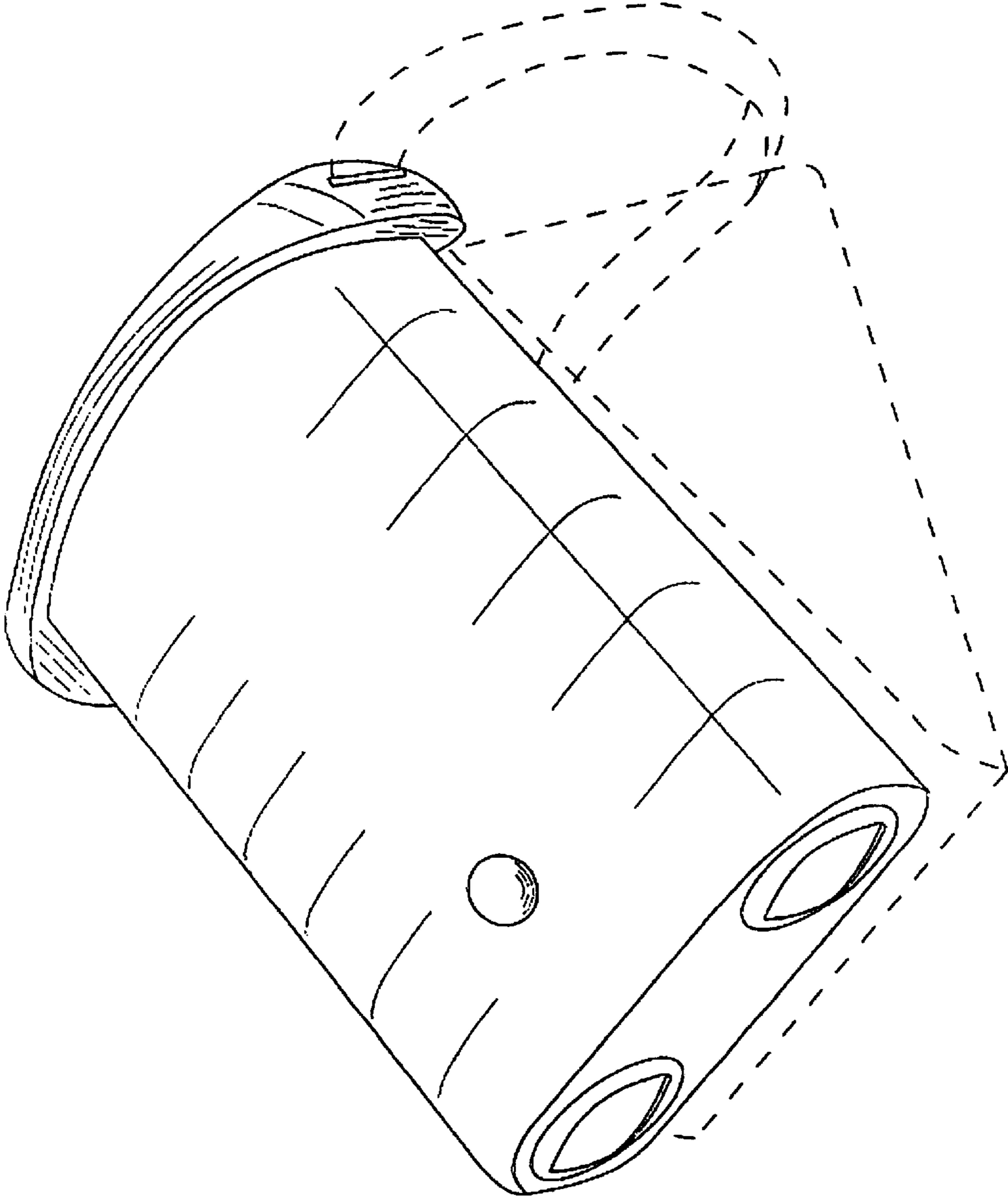


FIG. 1

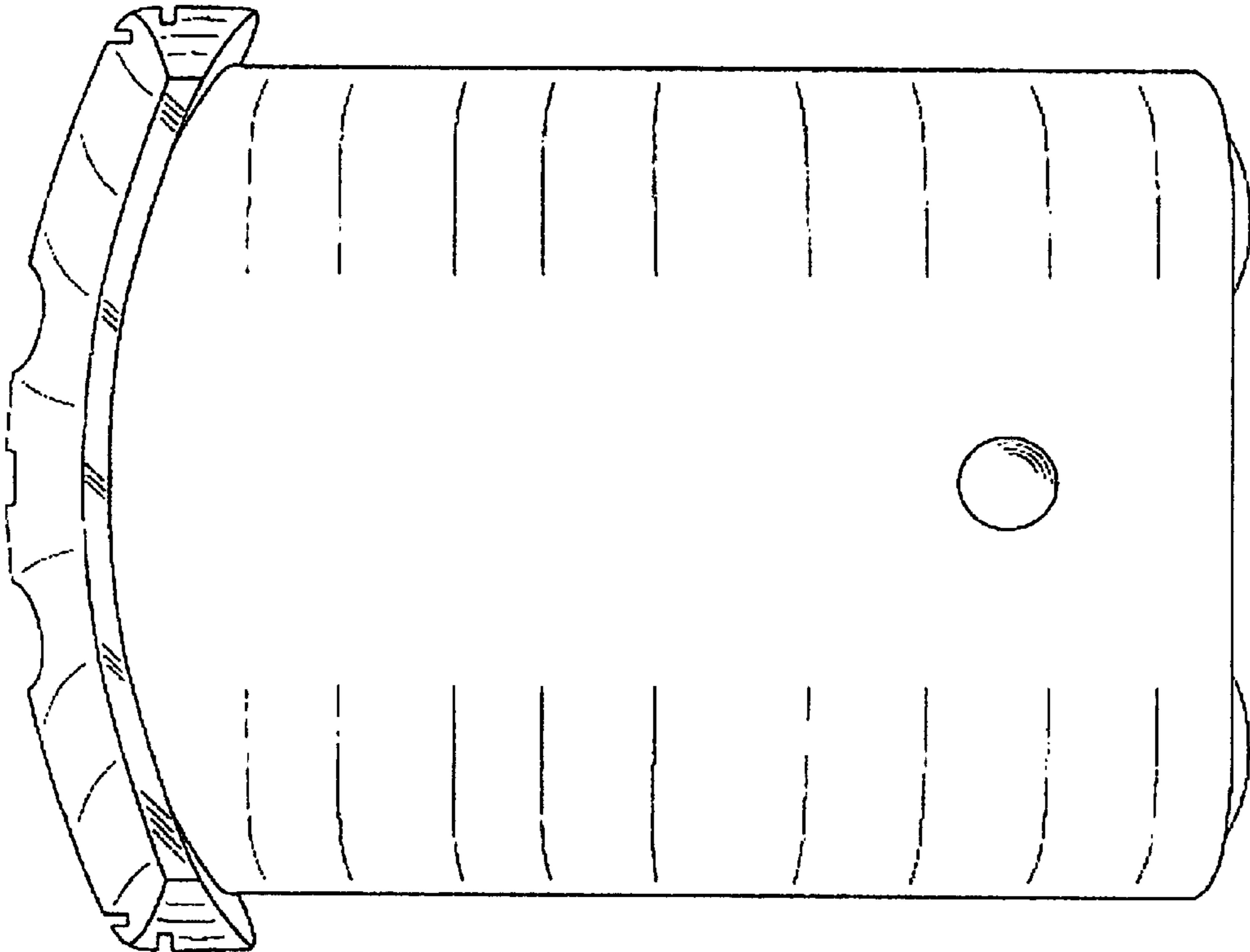


FIG. 2

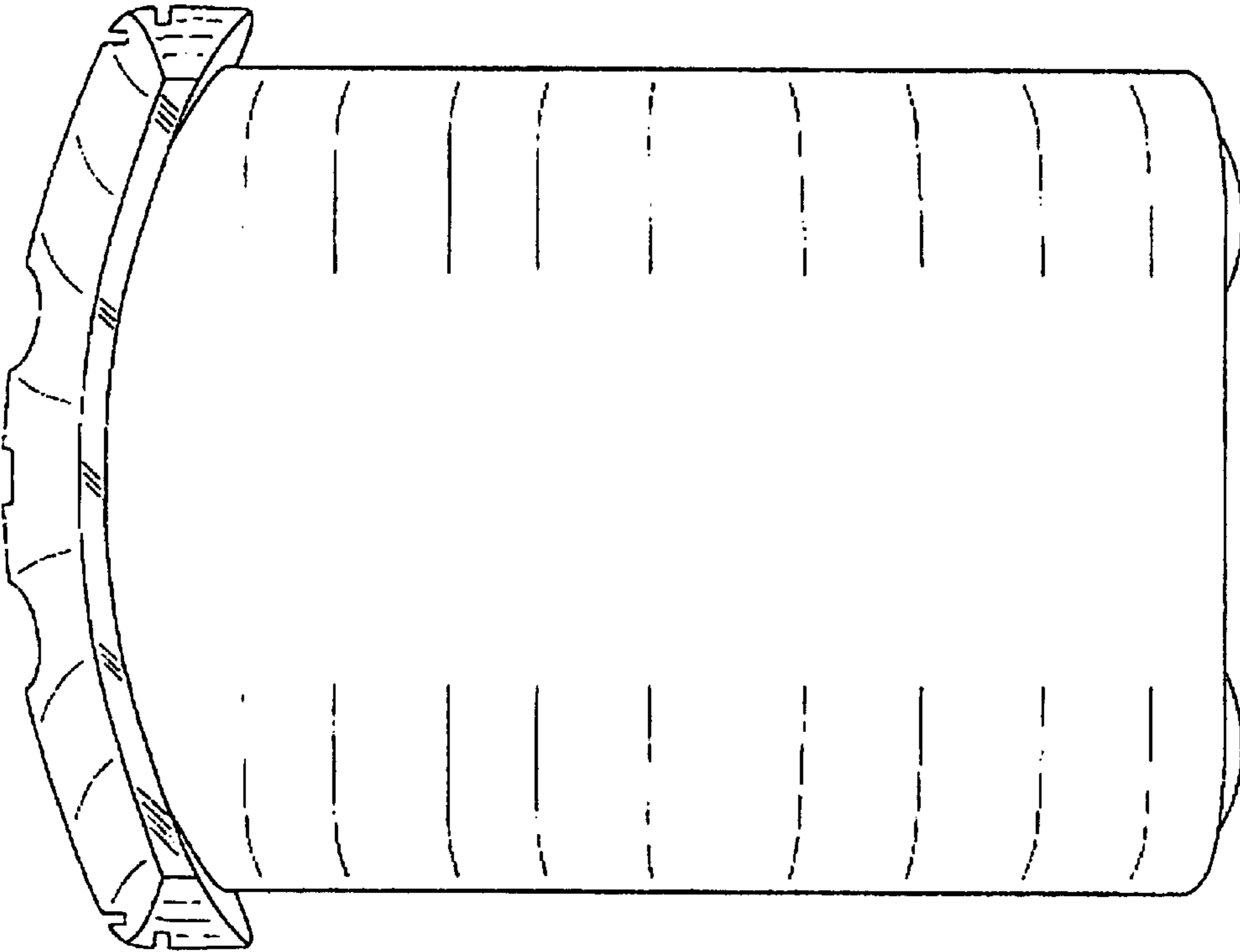


FIG. 3

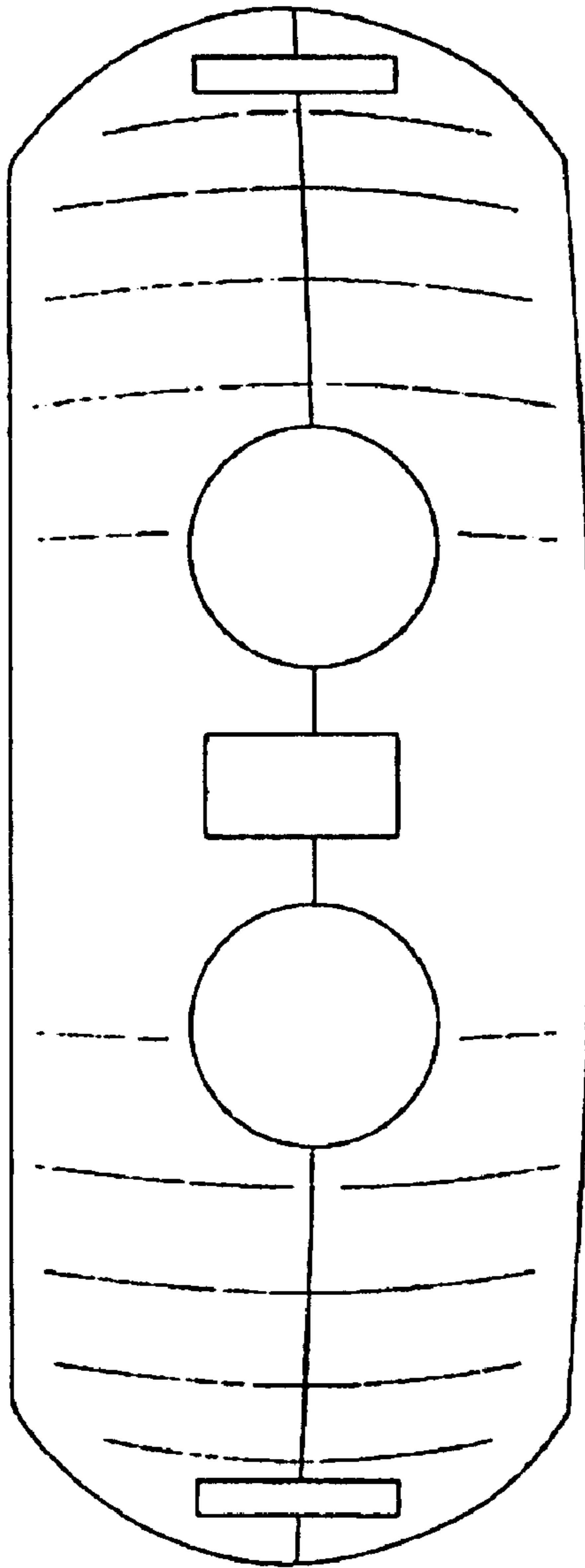


FIG. 4

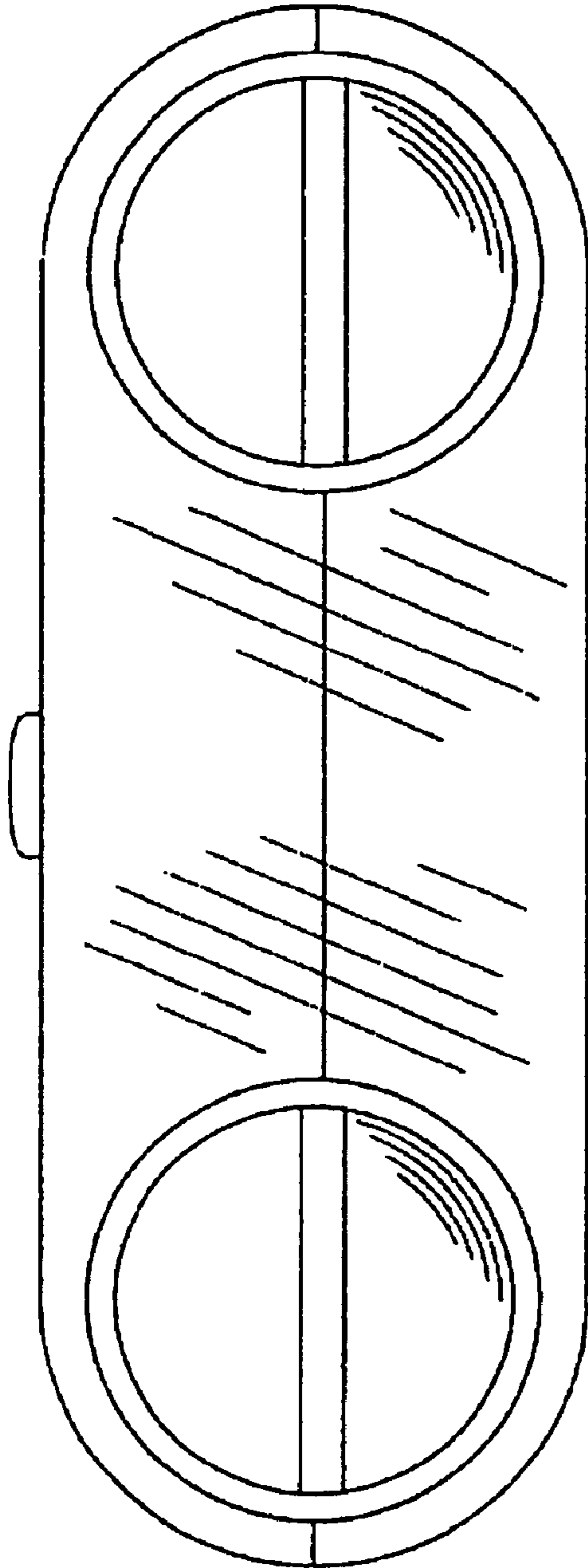


FIG. 5

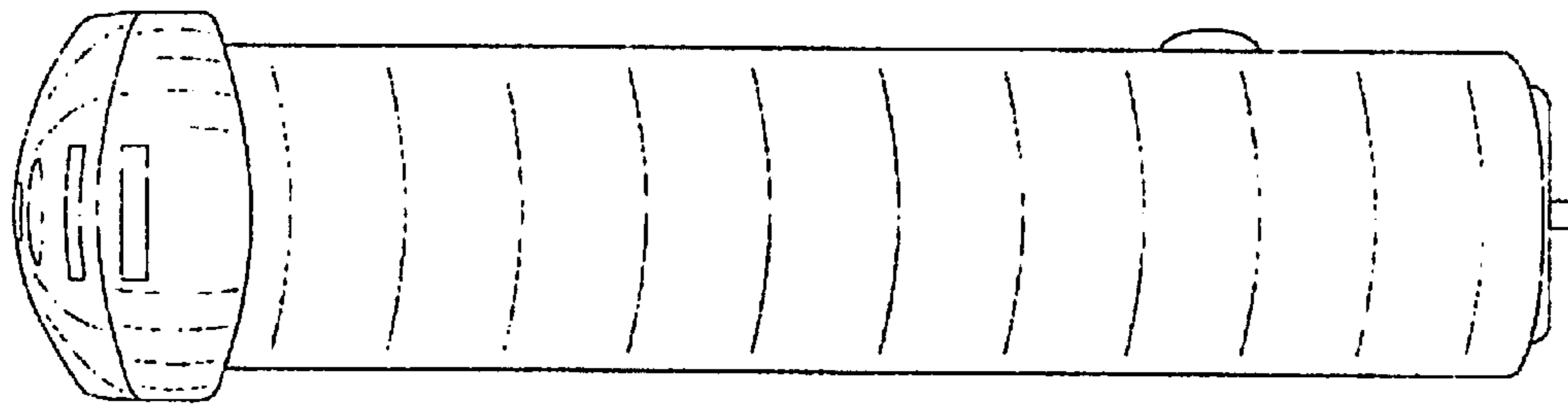


FIG. 6