



US00D538877S

(12) **United States Design Patent**
Peterson

(10) **Patent No.:** **US D538,877 S**

(45) **Date of Patent:** **** Mar. 20, 2007**

(54) **INFLATABLE FLOAT**

(75) **Inventor:** **Leroy L. Peterson**, Omaha, NE (US)

(73) **Assignee:** **Sportsstuff, Inc.**, Omaha, NE (US)

(**) **Term:** **14 Years**

(21) **Appl. No.:** **29/252,439**

(22) **Filed:** **Jan. 23, 2006**

(51) **LOC (8) Cl.** **12-02**

(52) **U.S. Cl.** **D21/803**

(58) **Field of Classification Search** D21/769-770,
D21/801, 803, 809; D6/392, 596, 601, 604;
472/128-129; D12/5, 6, 316; 114/253, 345-346;
441/40-42, 35, 66, 129-132
See application file for complete search history.

(56) **References Cited**

U.S. PATENT DOCUMENTS

1,746,833	A	*	2/1930	Hermansen	441/114
4,799,910	A	*	1/1989	Kellough	441/131
5,403,220	A	*	4/1995	Goad, Sr.	441/130
D362,706	S	*	9/1995	Wamsley	D21/803
5,769,022	A	*	6/1998	Luxford	114/361

D430,845	S	*	9/2000	Elsholz	D12/316
D466,176	S	*	11/2002	Peterson	D21/803
6,595,861	B1	*	7/2003	Morrow et al.	472/134
D492,380	S	*	6/2004	Zheng	D21/809
6,881,114	B2	*	4/2005	Zheng	441/129

* cited by examiner

Primary Examiner—Janice Seeger

Assistant Examiner—Zenia I. Bennett

(74) *Attorney, Agent, or Firm*—Sturm & Fix LLP

(57) **CLAIM**

The ornamental design for an inflatable float, as shown and described.

DESCRIPTION

FIG. 1 is a perspective view of the inflatable float showing my new design;

FIG. 2 is a right side elevational view thereof;

FIG. 3 is a left side elevation view thereof;

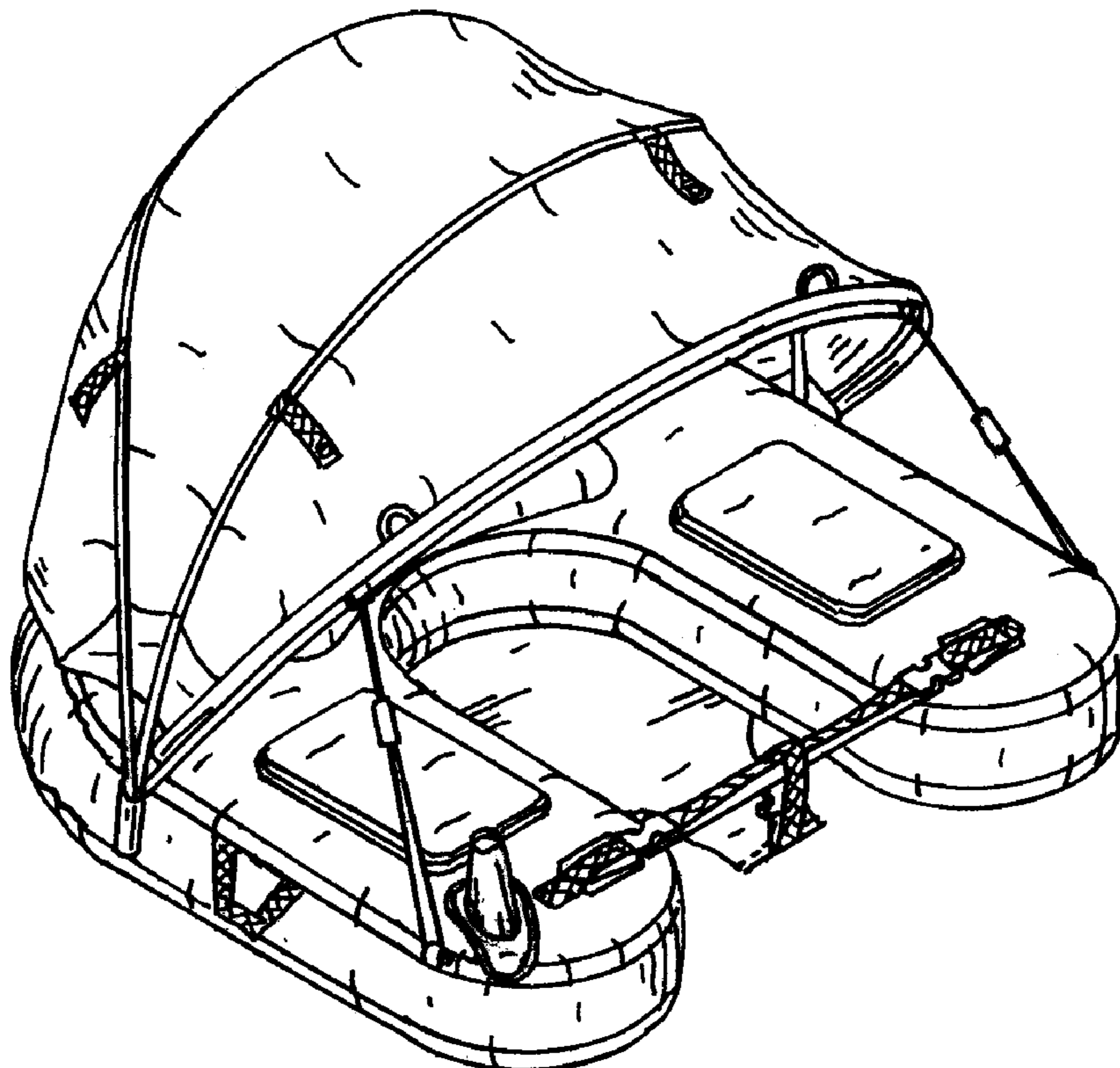
FIG. 4 is a front elevational view thereof;

FIG. 5 is a rear elevational view thereof;

FIG. 6 is a top plan view thereof; and,

FIG. 7 is a bottom plan view thereof.

1 Claim, 3 Drawing Sheets



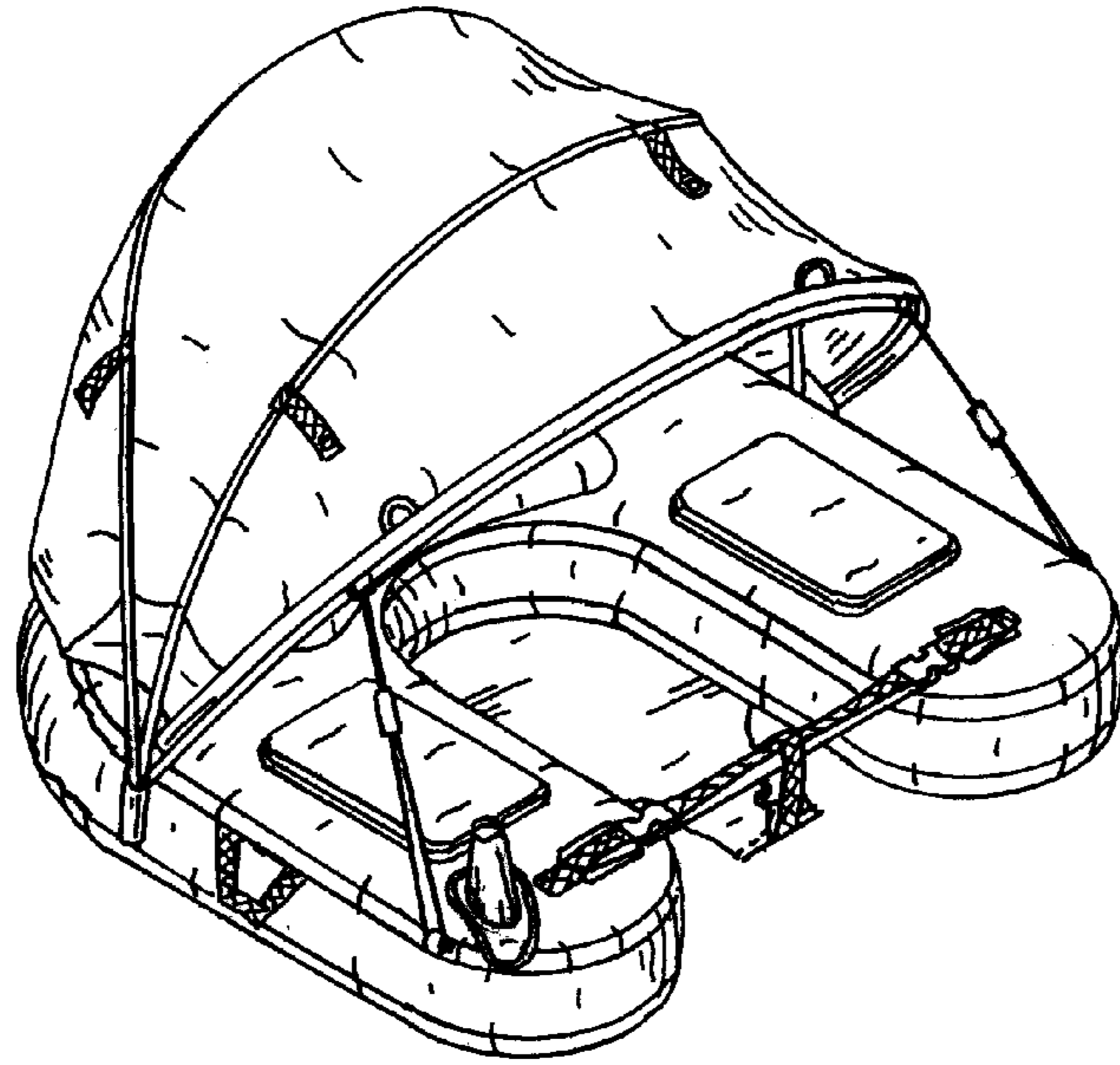


Fig. 1

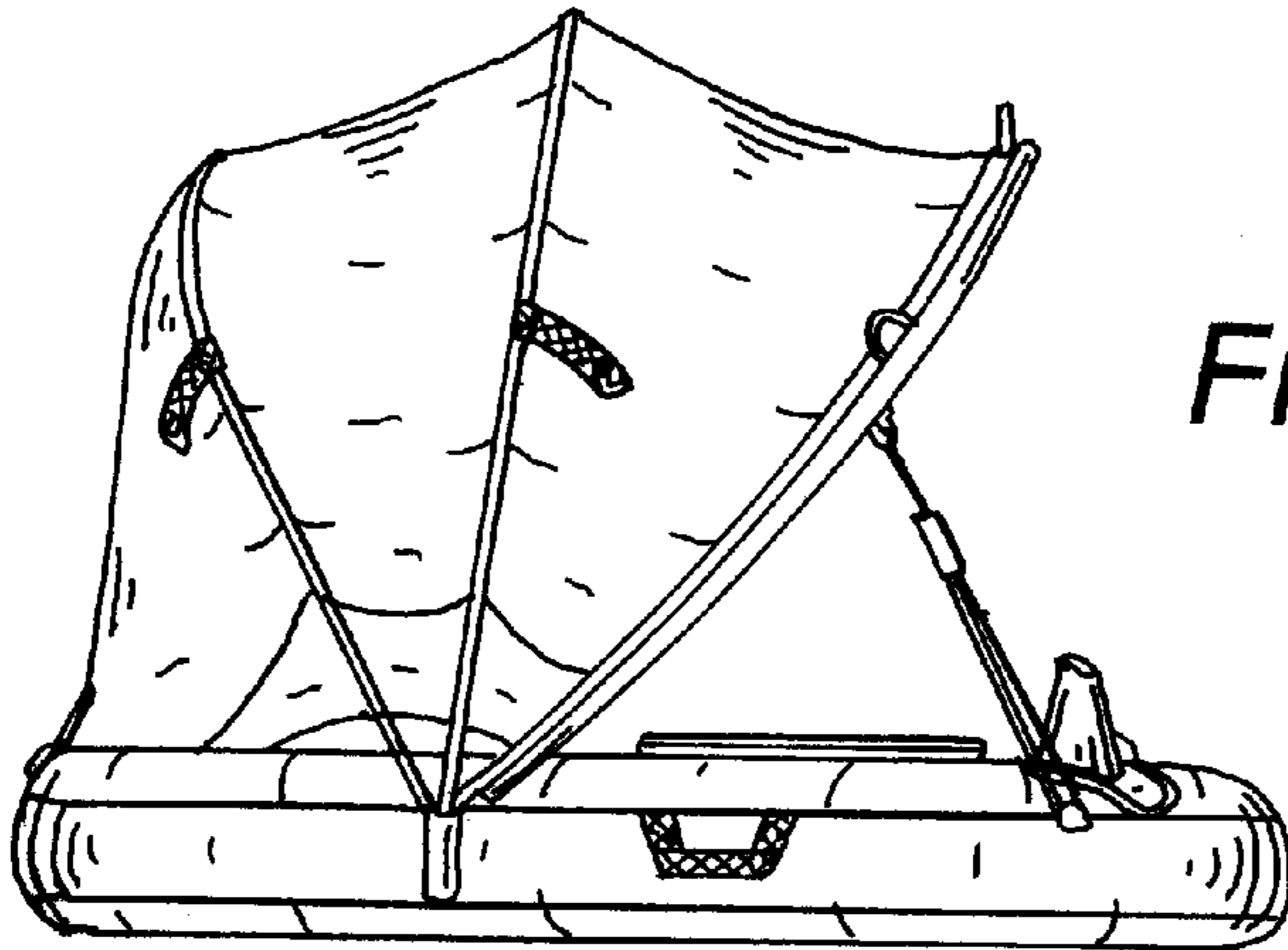


Fig. 2

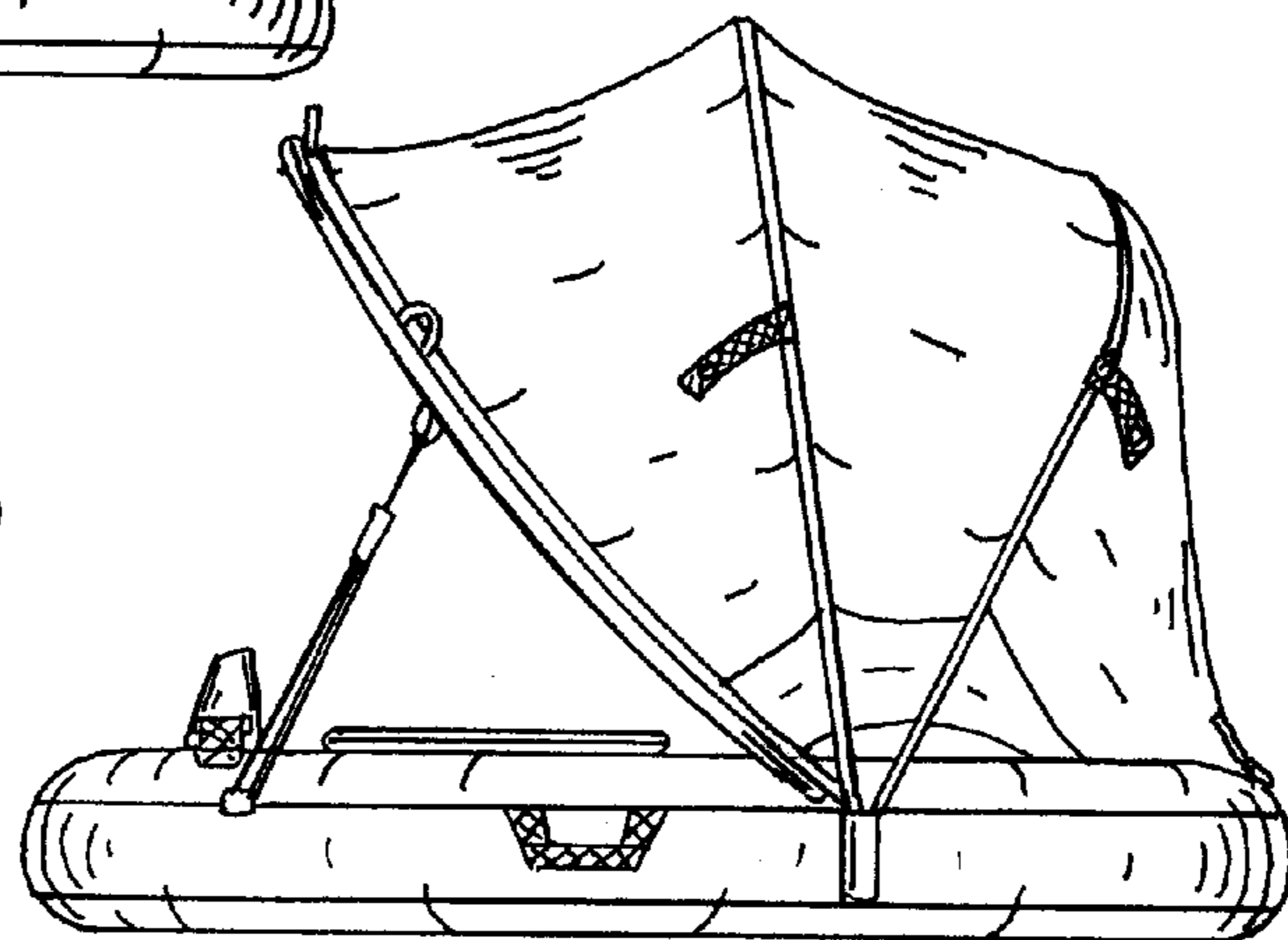


Fig. 3

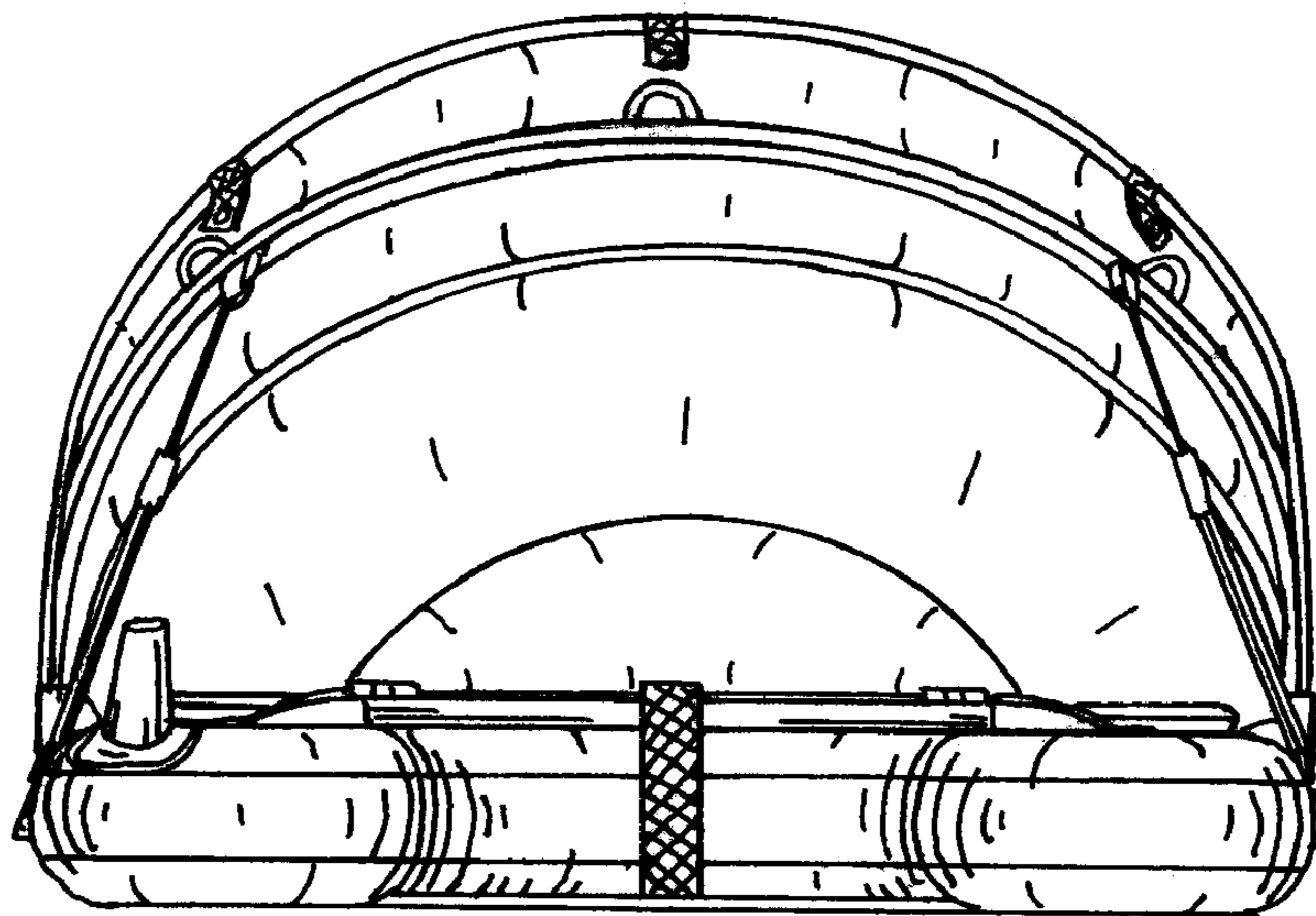


Fig. 4

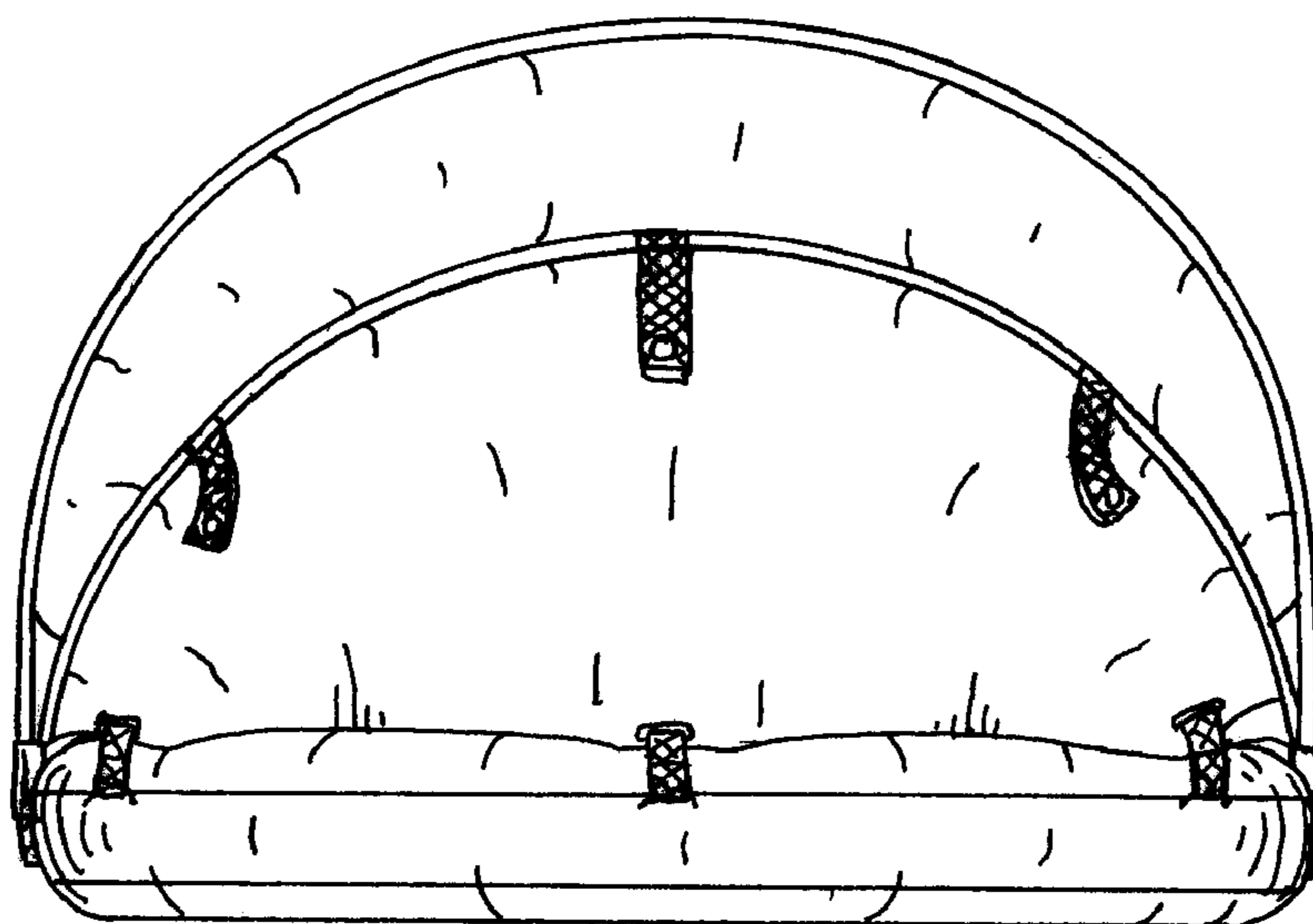


Fig. 5

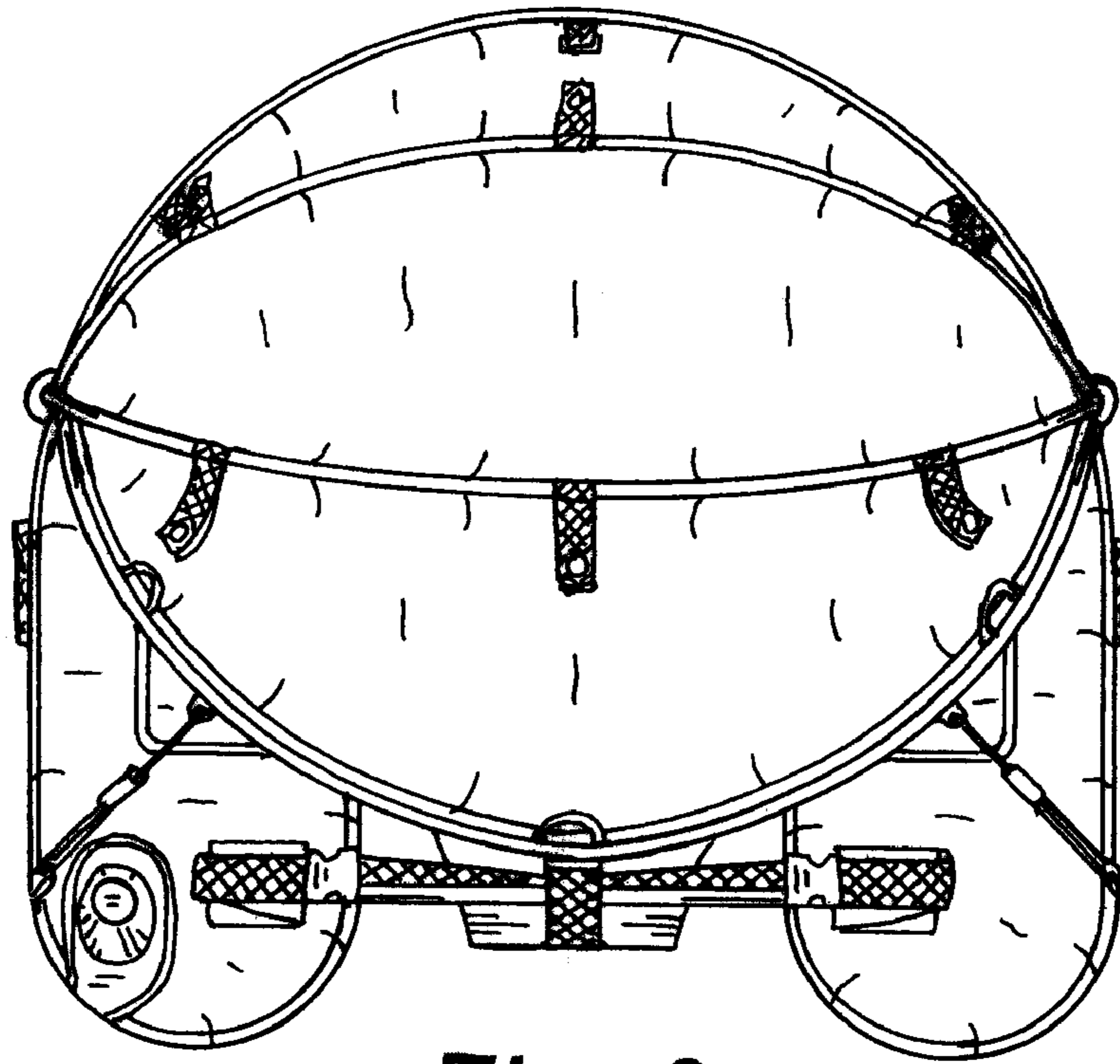


Fig. 6

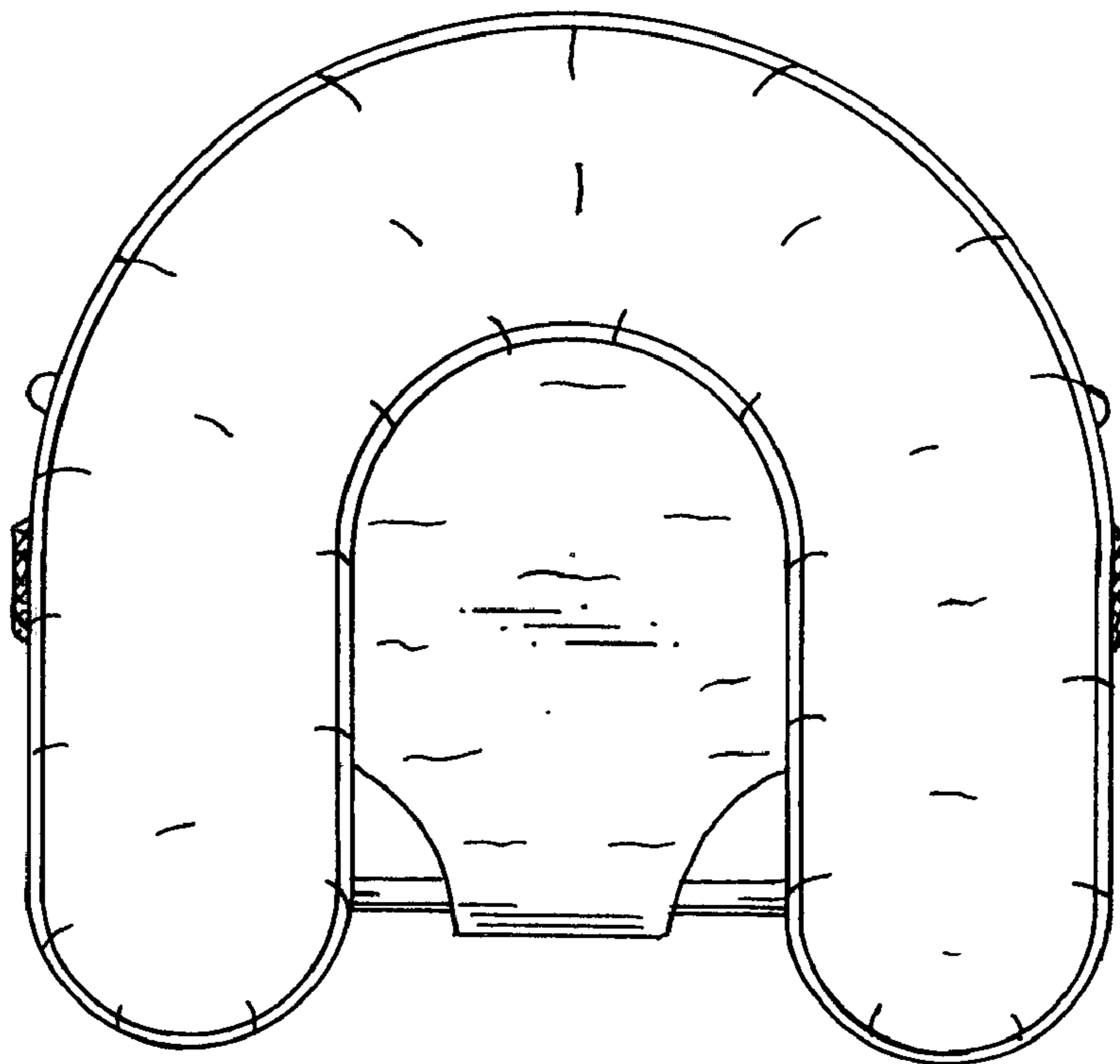


Fig. 7