

US00D538873S

(12) **United States Design Patent**
Officer

(10) **Patent No.: US D538,873 S**

(45) **Date of Patent: ** Mar. 20, 2007**

(54) **GOLF TRAINING AID**

(76) Inventor: **Mark Officer**, P.O. Box 1451,
Broadbeach, Queensland 4217 (AU)

(**) Term: **14 Years**

(21) Appl. No.: **29/257,782**

(22) Filed: **Apr. 11, 2006**

(30) **Foreign Application Priority Data**

Oct. 13, 2005 (AU) 14507/05

(51) **LOC (8) Cl.** **21-02**

(52) **U.S. Cl.** **D21/791**

(58) **Field of Classification Search** D21/789,
D21/791; 473/206, 226, 228, 422, 437
See application file for complete search history.

(56) **References Cited**

U.S. PATENT DOCUMENTS

- 5,310,188 A * 5/1994 Hernberg 473/206
- 5,571,048 A * 11/1996 Kenney 473/228
- D441,043 S * 4/2001 Barnette D21/789
- D471,943 S * 3/2003 Brick D21/791
- 6,881,156 B1 * 4/2005 Phillips 473/228
- D522,081 S * 5/2006 Leadbetter et al. D21/791

* cited by examiner

Primary Examiner—Mitchell Siegel

(74) *Attorney, Agent, or Firm*—Leydig, Voit & Mayer, Ltd.

(57) **CLAIM**

The ornamental design for a golf training aid, as shown and described.

DESCRIPTION

FIG. 1 is a perspective view taken from the top, front, and right side of a golf training aid showing my new design;

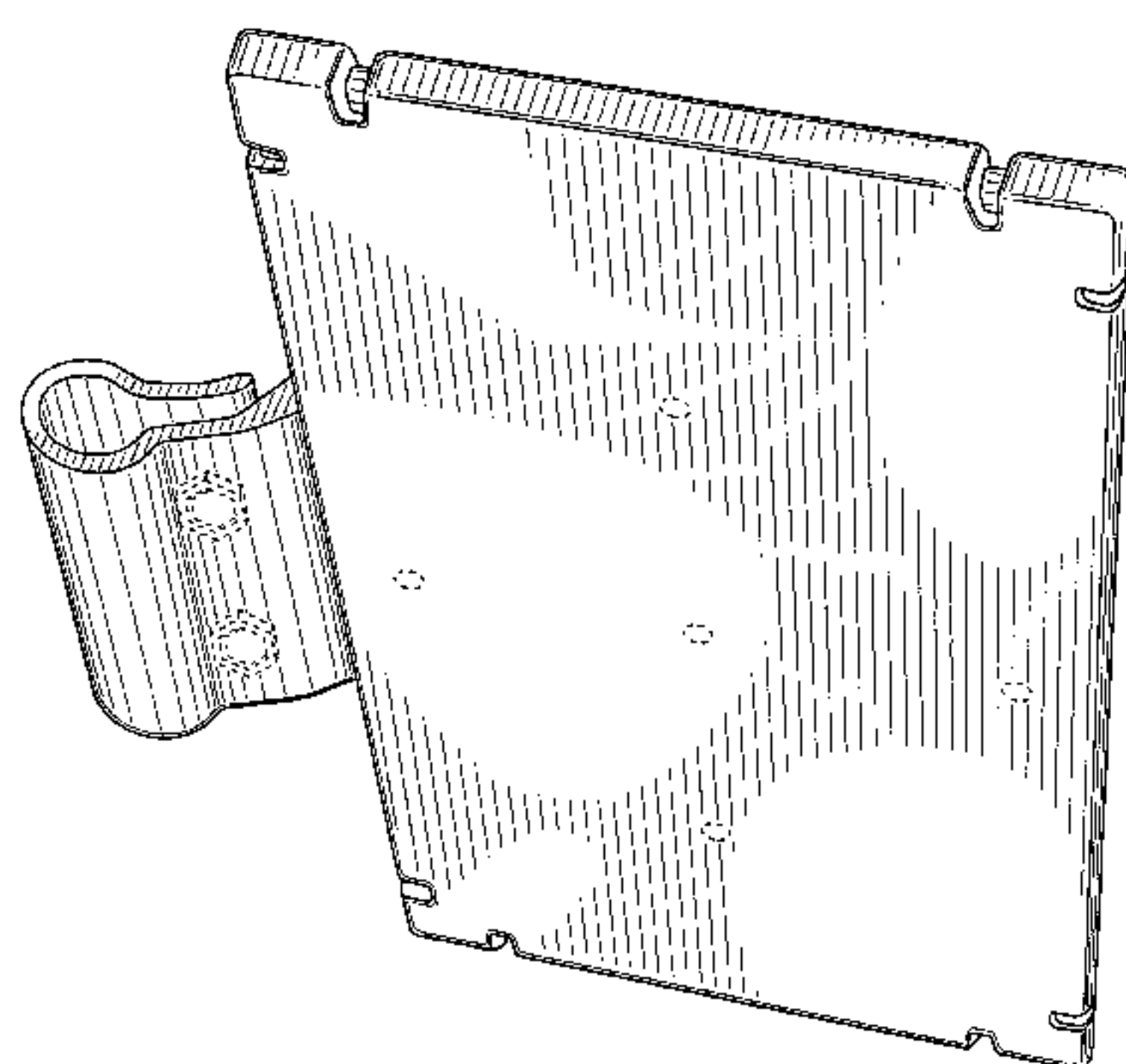


FIG. 2 is a top plan view of the golf training aid shown in FIG. 1;

FIG. 3 is a bottom view of the golf training aid shown in FIG. 1;

FIG. 4 is a front elevational view of the golf training aid shown in FIG. 1;

FIG. 5 is a rear elevational view of the golf training aid shown in FIG. 1;

FIG. 6 is a left elevational side view of the golf training aid shown in FIG. 1;

FIG. 7 is a right elevational side view of the golf training aid shown in FIG. 1;

FIG. 8 is a reduced front elevational view of the golf training aid as shown in FIG. 1, the broken line showing of the golf club is included for the purpose of illustrating and forms no part of the claimed design.

FIG. 9 is a perspective view taken from the top, front, and right side of another embodiment of a golf training aid showing my new design;

FIG. 10 is a top plan view of the golf training aid shown in FIG. 9;

FIG. 11 is a bottom view of the golf training aid shown in FIG. 9;

FIG. 12 is a front elevational view of the golf training aid shown in FIG. 9;

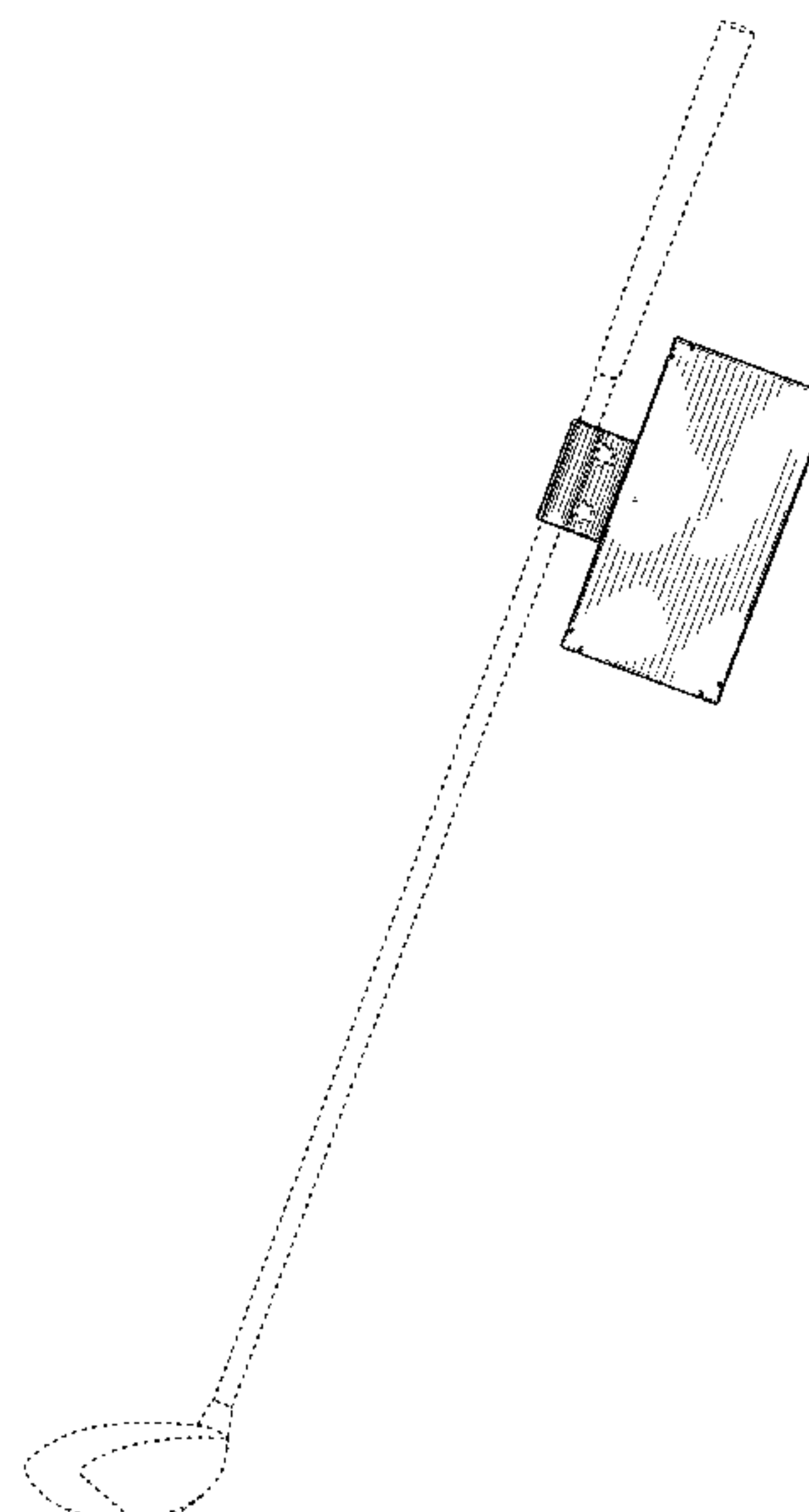
FIG. 13 is a rear elevational view of the golf training aid shown in FIG. 9;

FIG. 14 is a left elevational side view of the golf training aid shown in FIG. 9;

FIG. 15 is a right elevational side view of the golf training aid shown in FIG. 9; and,

FIG. 16 is a reduced front elevational view of the golf training aid as shown in FIG. 9, the broken line showing of the golf club is included for the purpose of illustrating and forms no part of the claimed design.

1 Claim, 10 Drawing Sheets



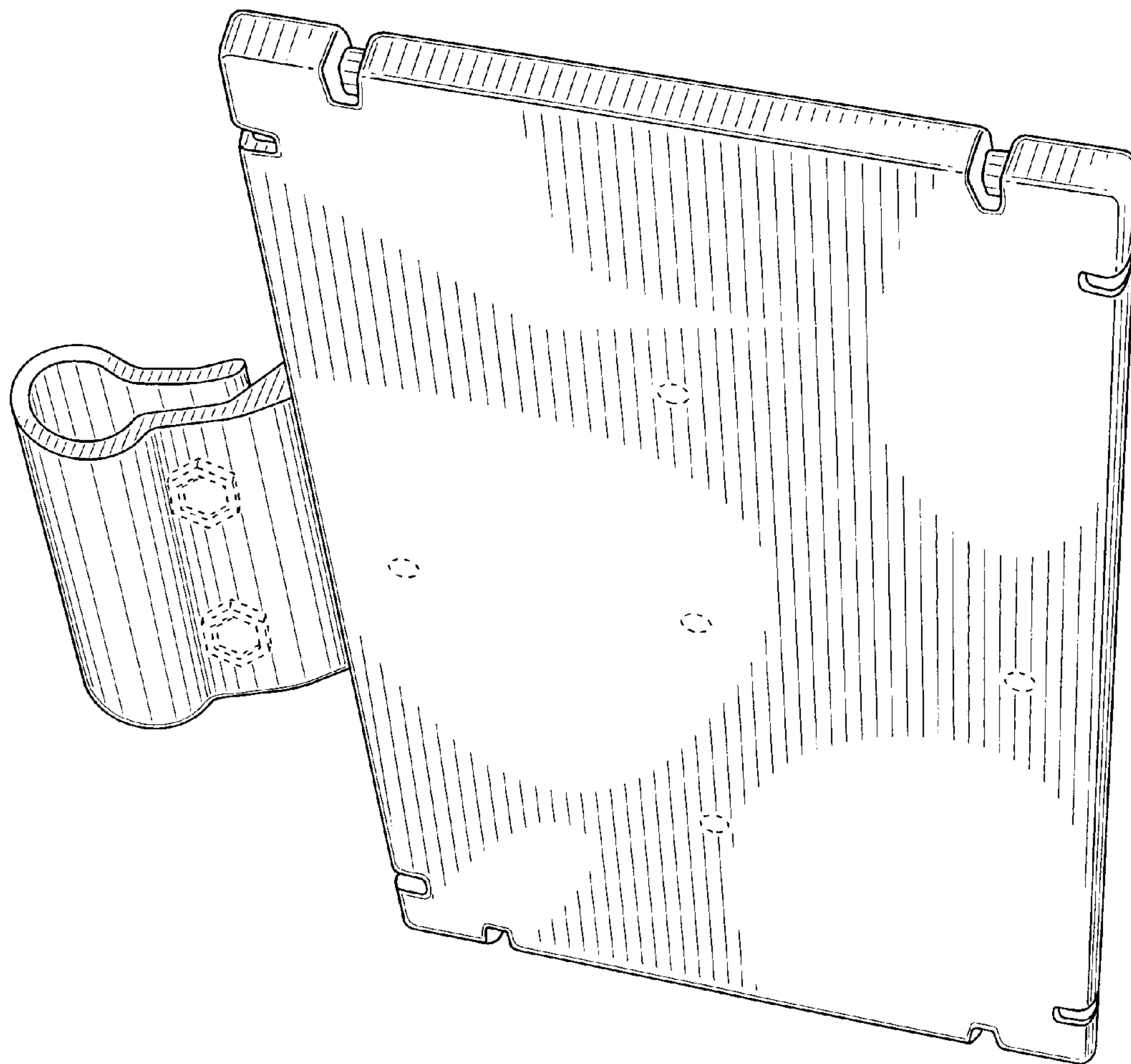


FIG. 1

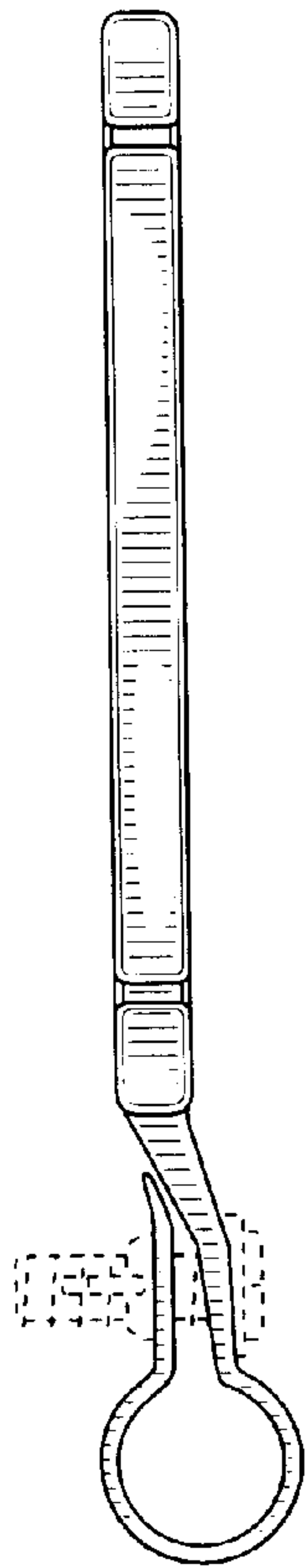


FIG. 2

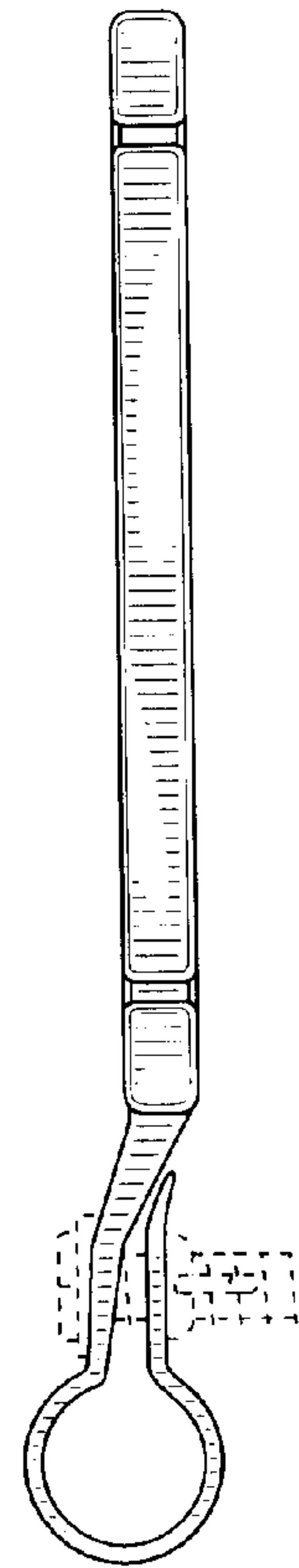


FIG. 3

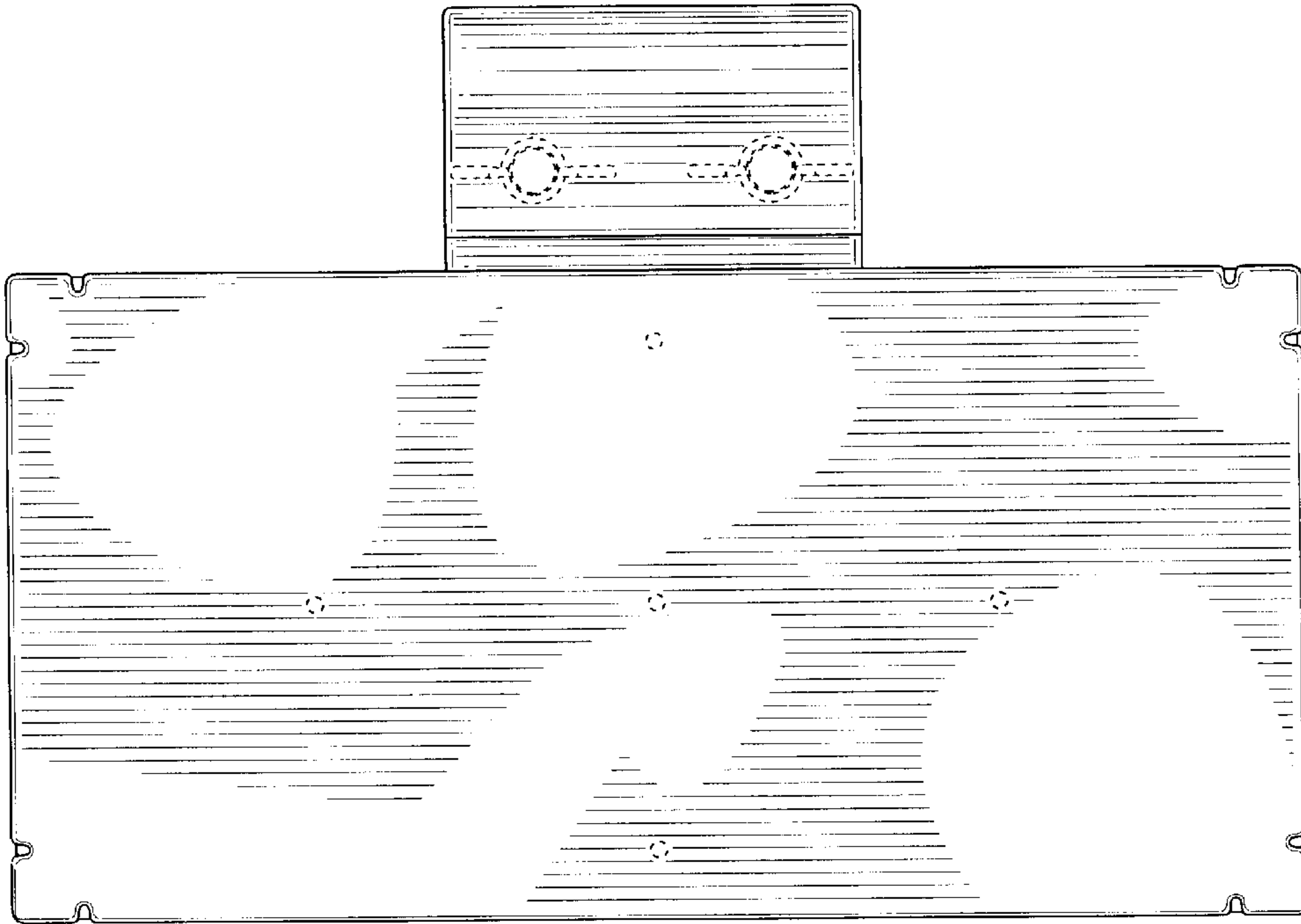


FIG. 5

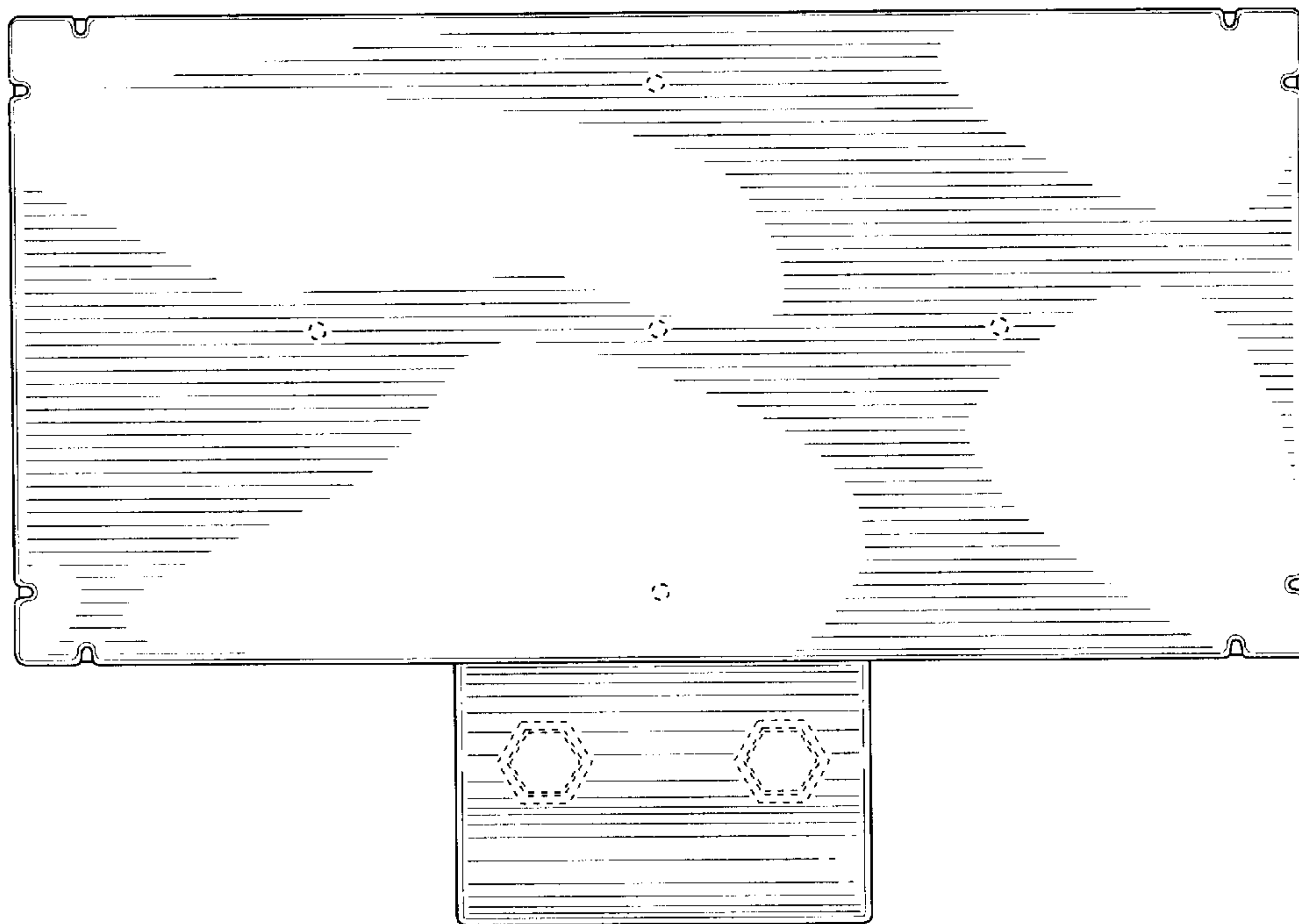


FIG. 4



FIG. 7

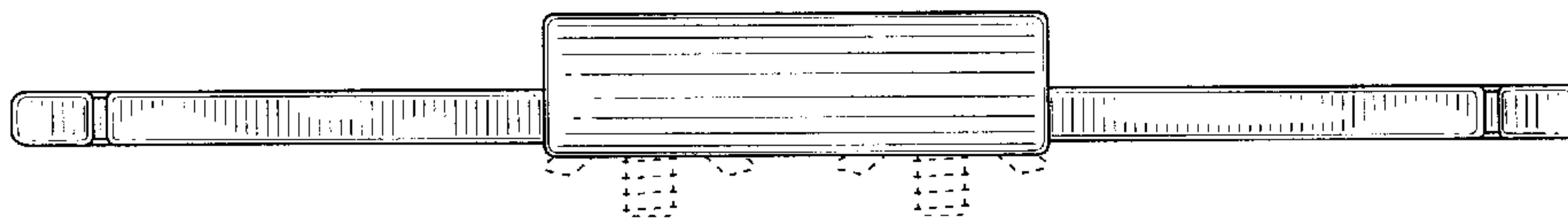


FIG. 6

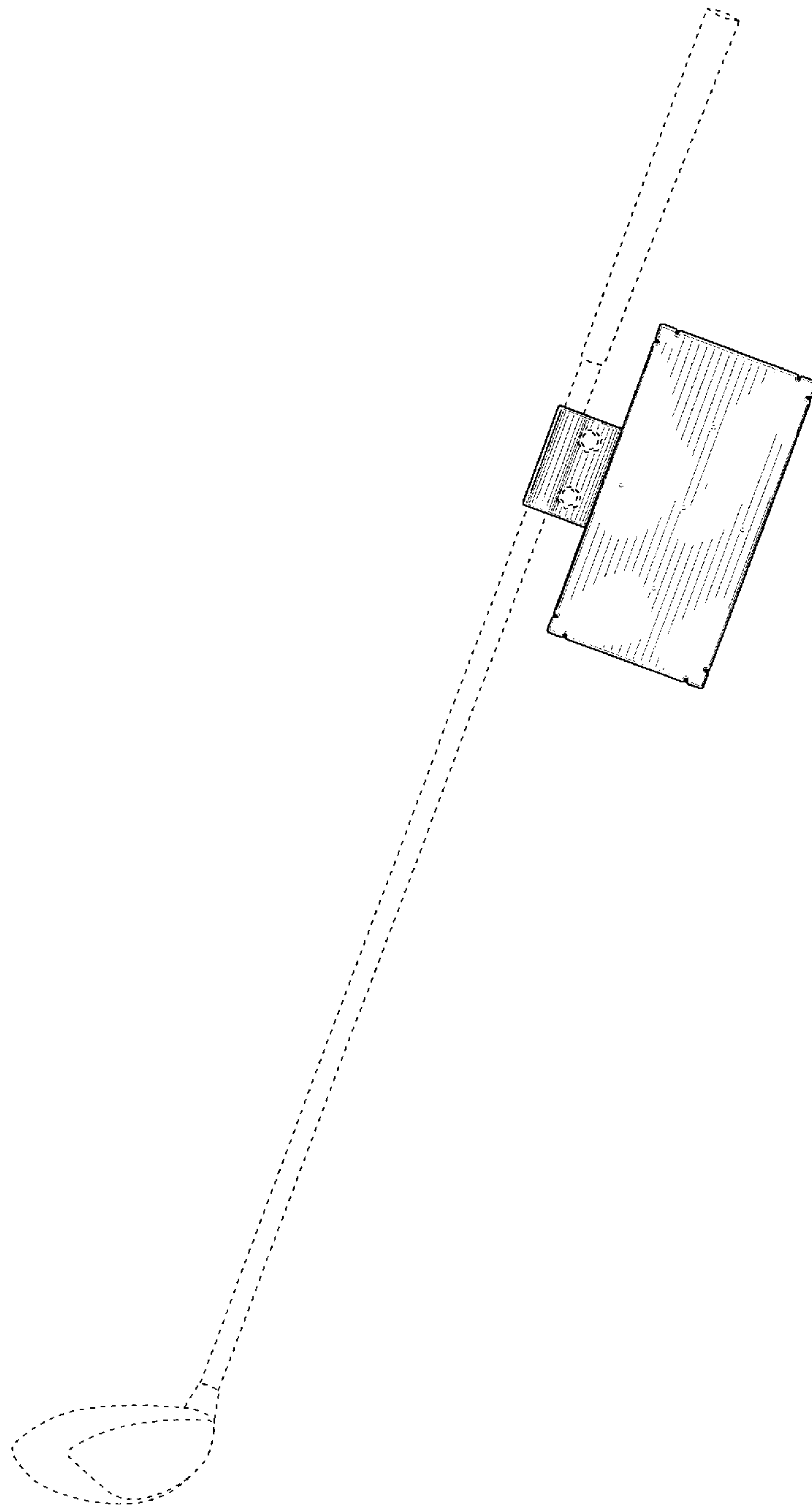


FIG. 8

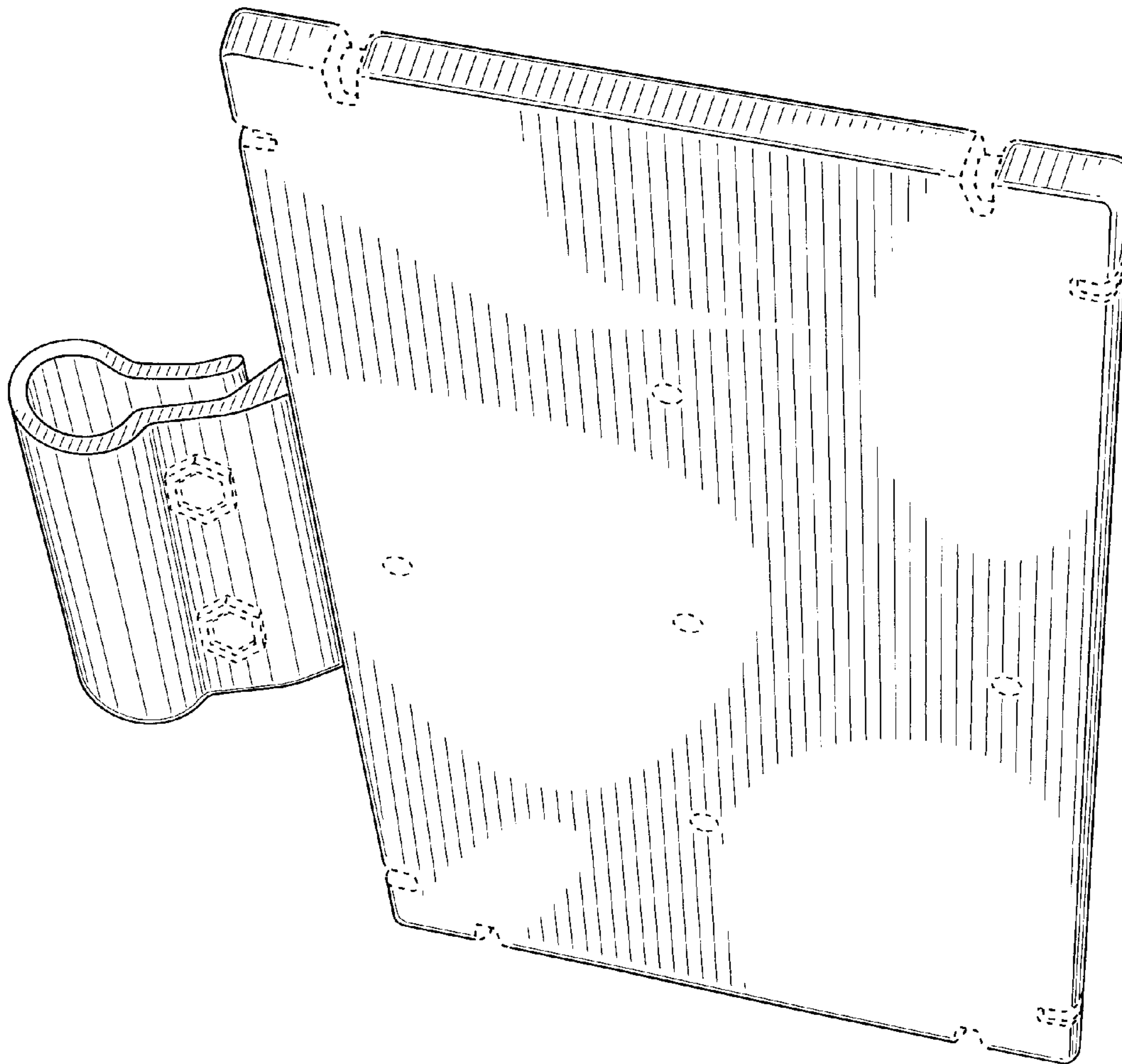


FIG. 9

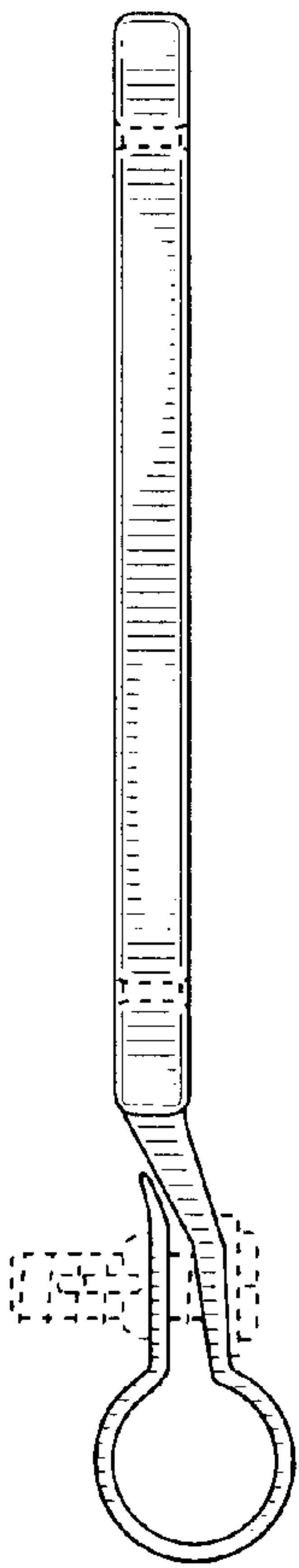


FIG. 10

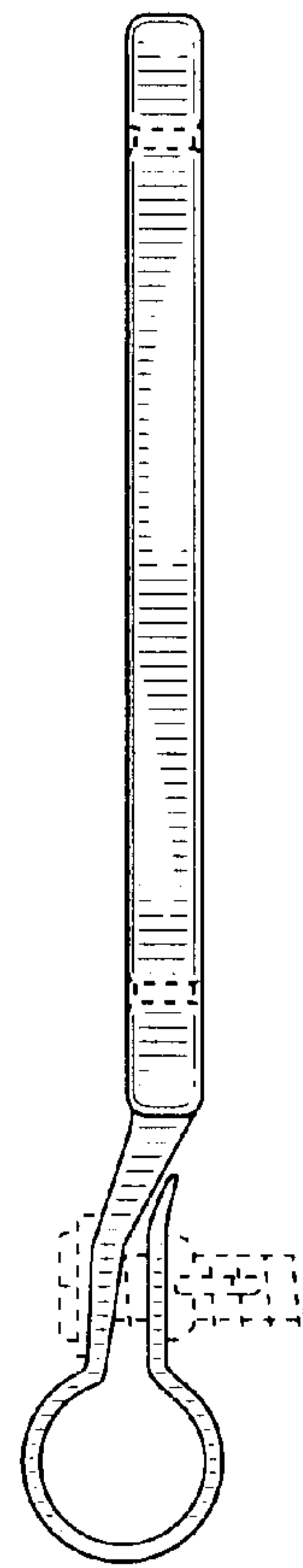


FIG. 11

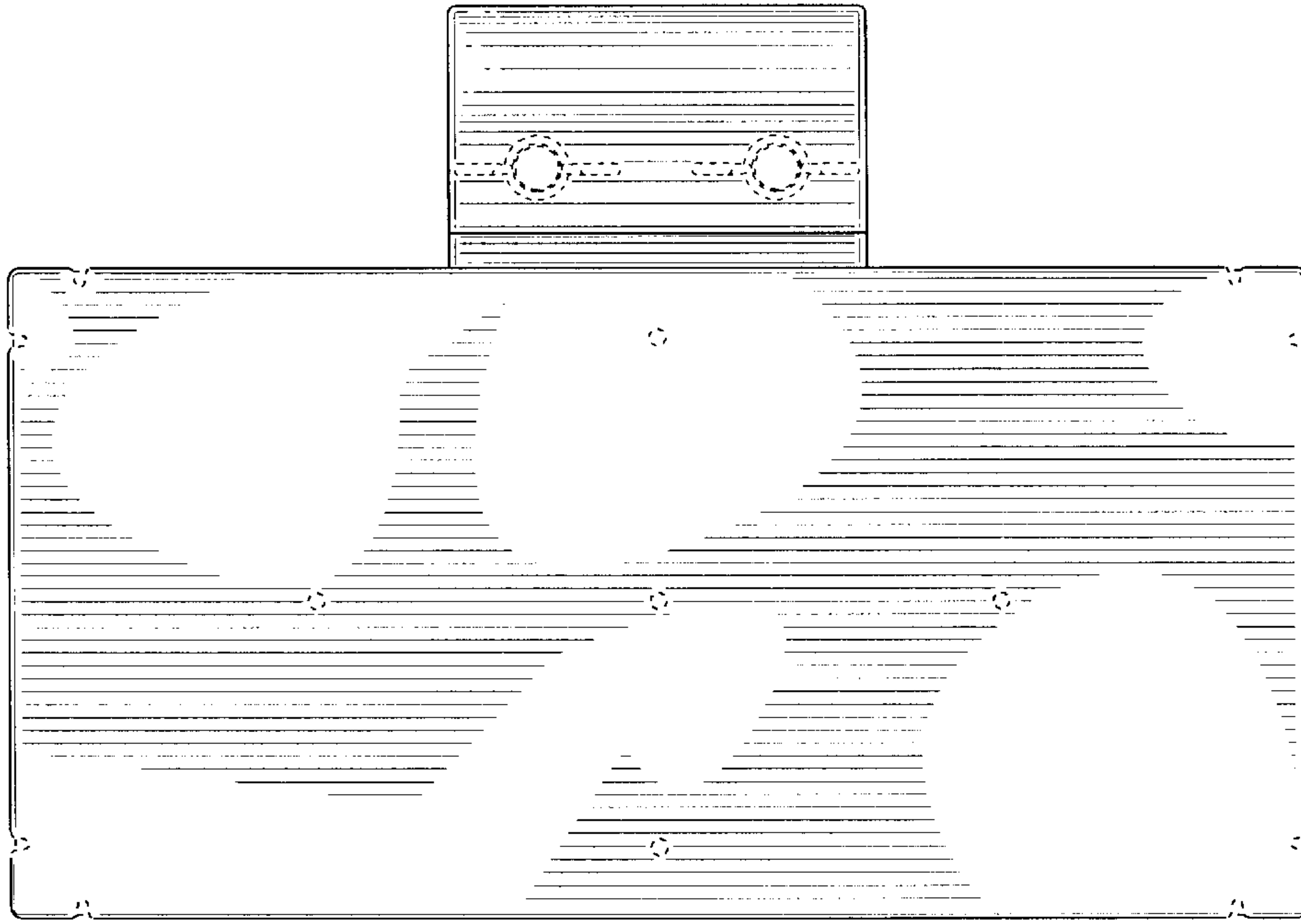


FIG. 13

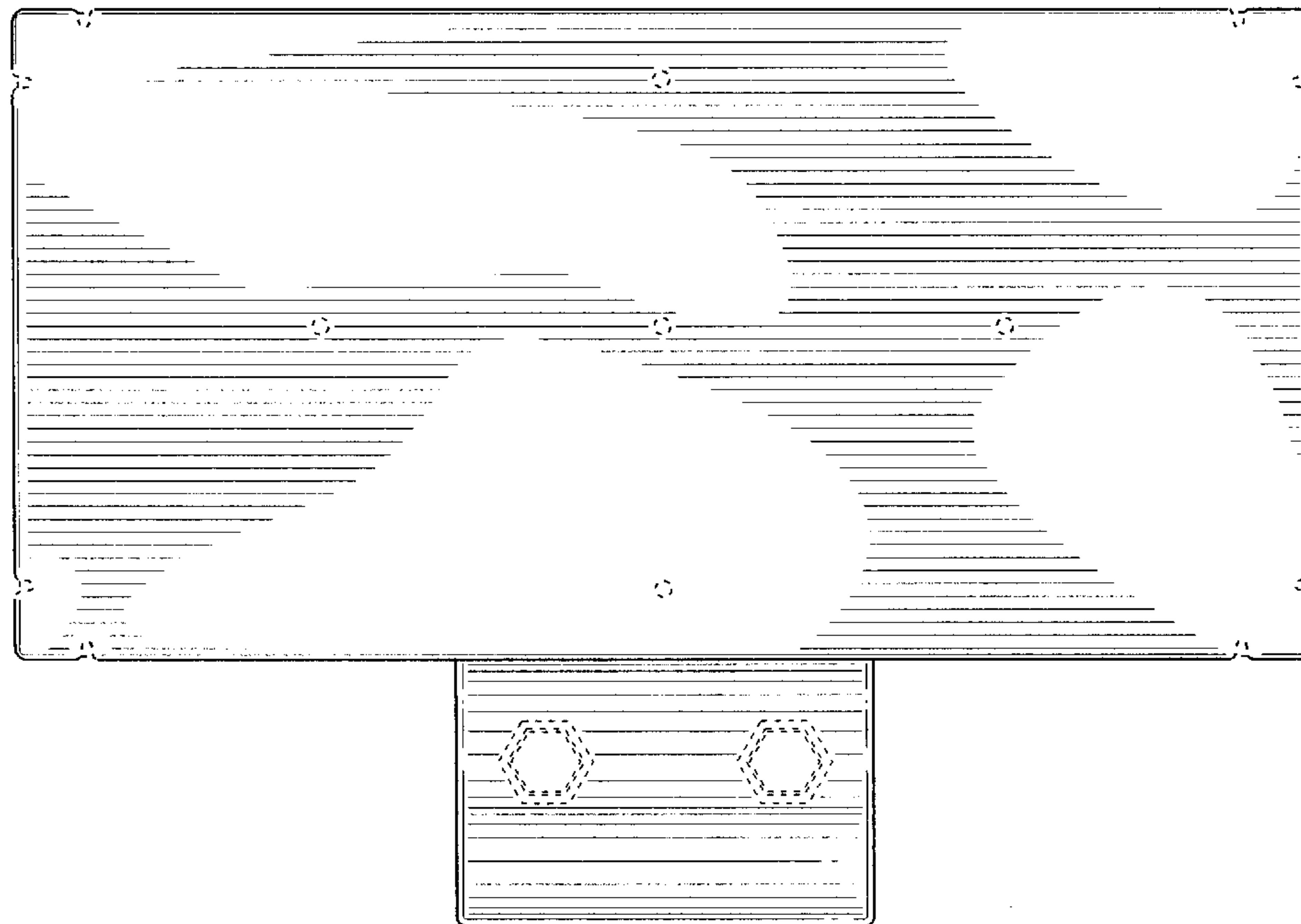


FIG. 12

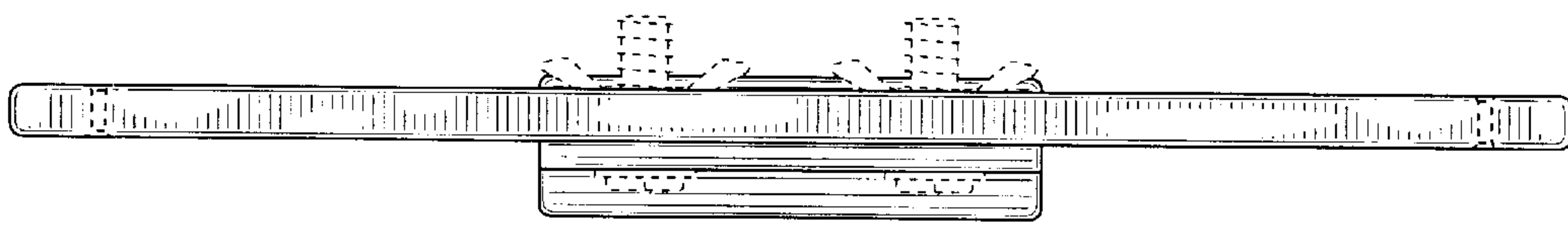


FIG. 15

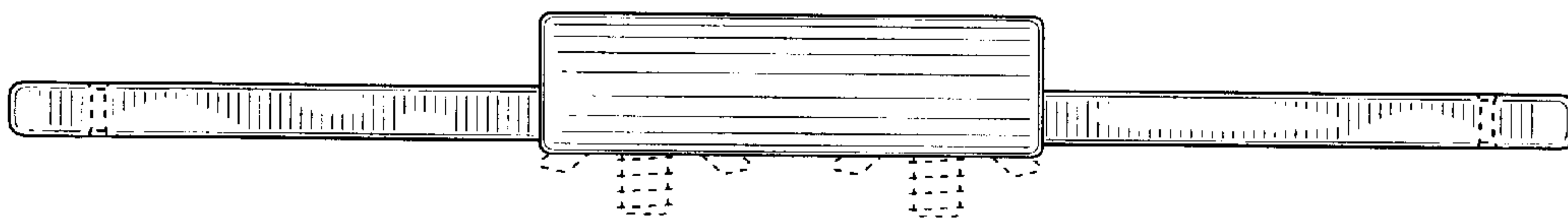


FIG. 14

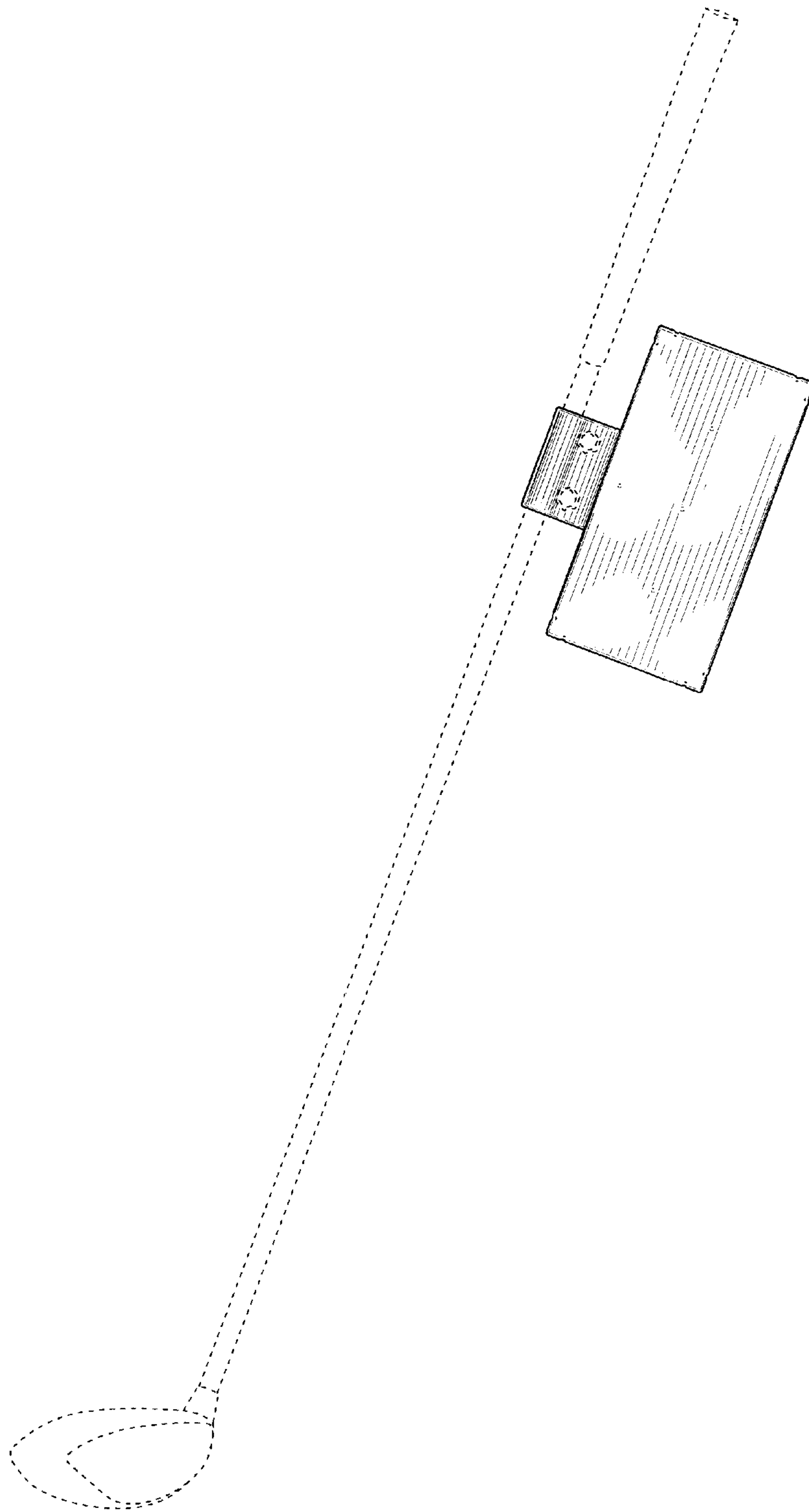


FIG. 16

UNITED STATES PATENT AND TRADEMARK OFFICE
CERTIFICATE OF CORRECTION

PATENT NO. : Des. 538,873 S
APPLICATION NO. : 29/257782
DATED : March 20, 2007
INVENTOR(S) : Mark Officer

Page 1 of 1

It is certified that error appears in the above-identified patent and that said Letters Patent is hereby corrected as shown below:

On the cover page, item [76] the inventor address reads "Broadbeach, Queensland 4217 (AU)" and should read --Broadbeach, Queensland 4218 (AU)--

In the DESCRIPTION, at the end following the description of FIG. 16, insert:
--The broken line showing is included for the purpose of illustrating and forms no part of the claimed design.--

Signed and Sealed this

Twenty-sixth Day of June, 2007

A handwritten signature in black ink on a light gray dotted background. The signature reads "Jon W. Dudas" in a cursive style.

JON W. DUDAS

Director of the United States Patent and Trademark Office