

US00D538871S

(12) **United States Design Patent** (10) **Patent No.:** **US D538,871 S**  
**Barez et al.** (45) **Date of Patent:** **\*\* Mar. 20, 2007**

(54) **GOLF CLUB HEAD**  
(75) Inventors: **Craig Kevin Barez**, Temecula, CA (US); **Todd P. Beach**, San Diego, CA (US); **Joseph Henry Hoffman**, Carlsbad, CA (US); **Robert Nunez**, San Pedro, CA (US); **Allan Capili Saliba**, Oceanside, CA (US); **Sean Toulon**, Vista, CA (US); **Thomas Olsavsky**, Oceanside, CA (US)

D479,867 S \* 9/2003 Saliba et al. .... D21/752  
D482,093 S \* 11/2003 Imamoto ..... D21/759  
D499,158 S \* 11/2004 Imamoto ..... D21/752  
D501,235 S \* 1/2005 Imamoto ..... D21/752  
D513,051 S 12/2005 Barez et al.  
D514,185 S 1/2006 Barez et al.  
D516,652 S 3/2006 Barez et al.  
D518,129 S \* 3/2006 Poynor et al. .... D21/759  
D519,589 S \* 4/2006 Barez et al. .... D21/733  
D521,091 S \* 5/2006 Mahaffey et al. .... D21/752

\* cited by examiner

(73) Assignee: **Taylor Made Golf Company, Inc.**, Carlsbad, CA (US)

*Primary Examiner*—Mitchell Siegel  
(74) *Attorney, Agent, or Firm*—Klarquist Sparkman, LLP

(\*\*) Term: **14 Years**

(57) **CLAIM**

(21) Appl. No.: **29/265,285**

We claim the ornamental design for a golf club head, as shown and described.

(22) Filed: **Aug. 28, 2006**

**DESCRIPTION**

**Related U.S. Application Data**

(63) Continuation of application No. 29/241,307, filed on Oct. 25, 2005.

FIG. 1 is a perspective view of a golf club head, as viewed from the rear, bottom, and one side thereof, according to one embodiment.

(51) **LOC (8) Cl.** ..... **21-02**

(52) **U.S. Cl.** ..... **D21/759**

FIG. 2 is a front elevation view of the club head of FIG. 1.

FIG. 3 is a rear elevation view of the club head of FIG. 1.

FIG. 4 is a side heel elevation view of the club head of FIG. 1.

(58) **Field of Classification Search** ..... D21/733, D21/752, 759; 473/324–331, 343–346  
See application file for complete search history.

FIG. 5 is a side toe elevation view of the club head of FIG. 1.

FIG. 6 is a top plan view of the club head of FIG. 1; and,

FIG. 7 is a bottom plan view of the club head of FIG. 1.

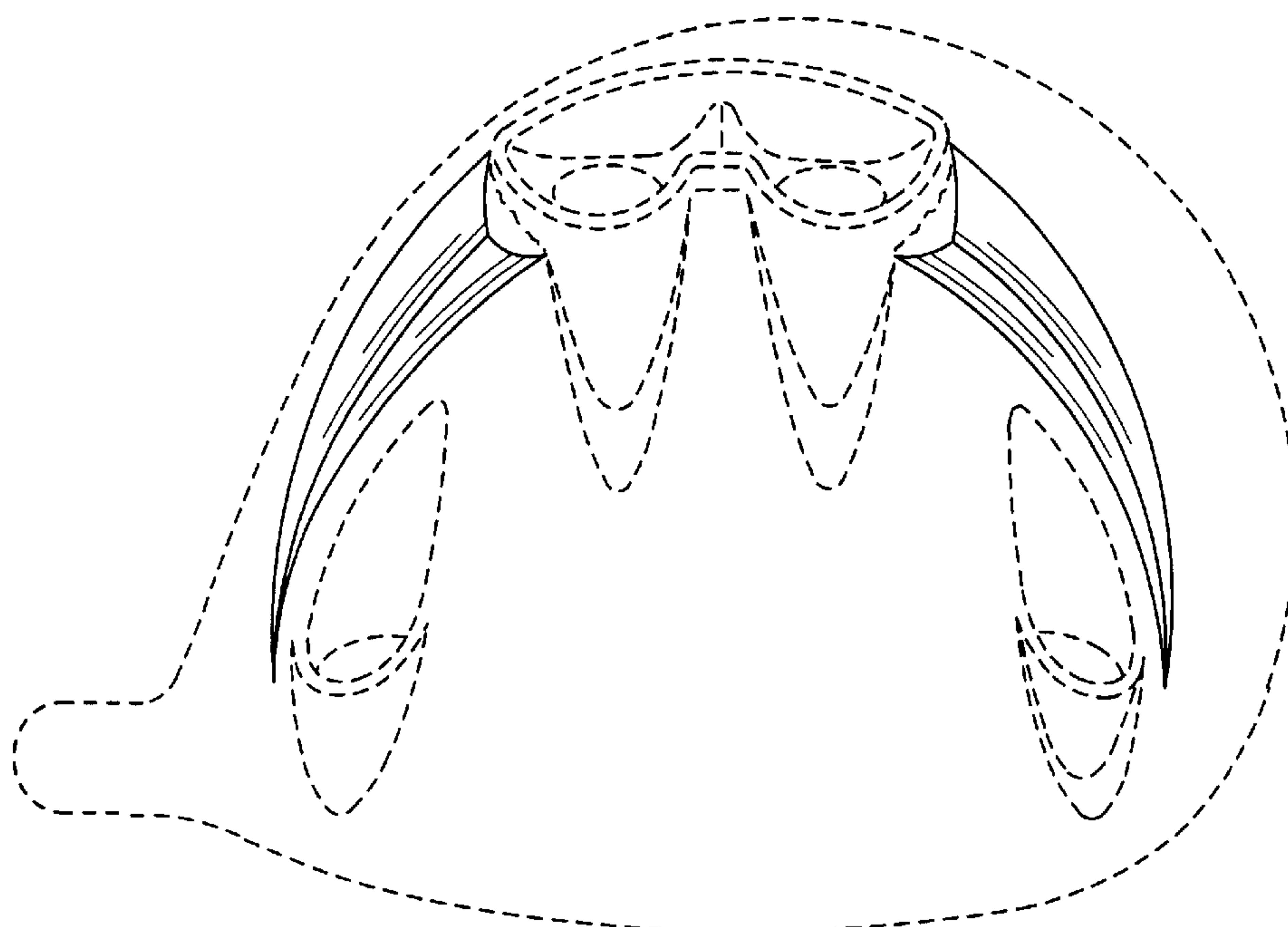
The dashed lines in the drawings are for illustrative purposes only and form no part of the claimed design.

(56) **References Cited**

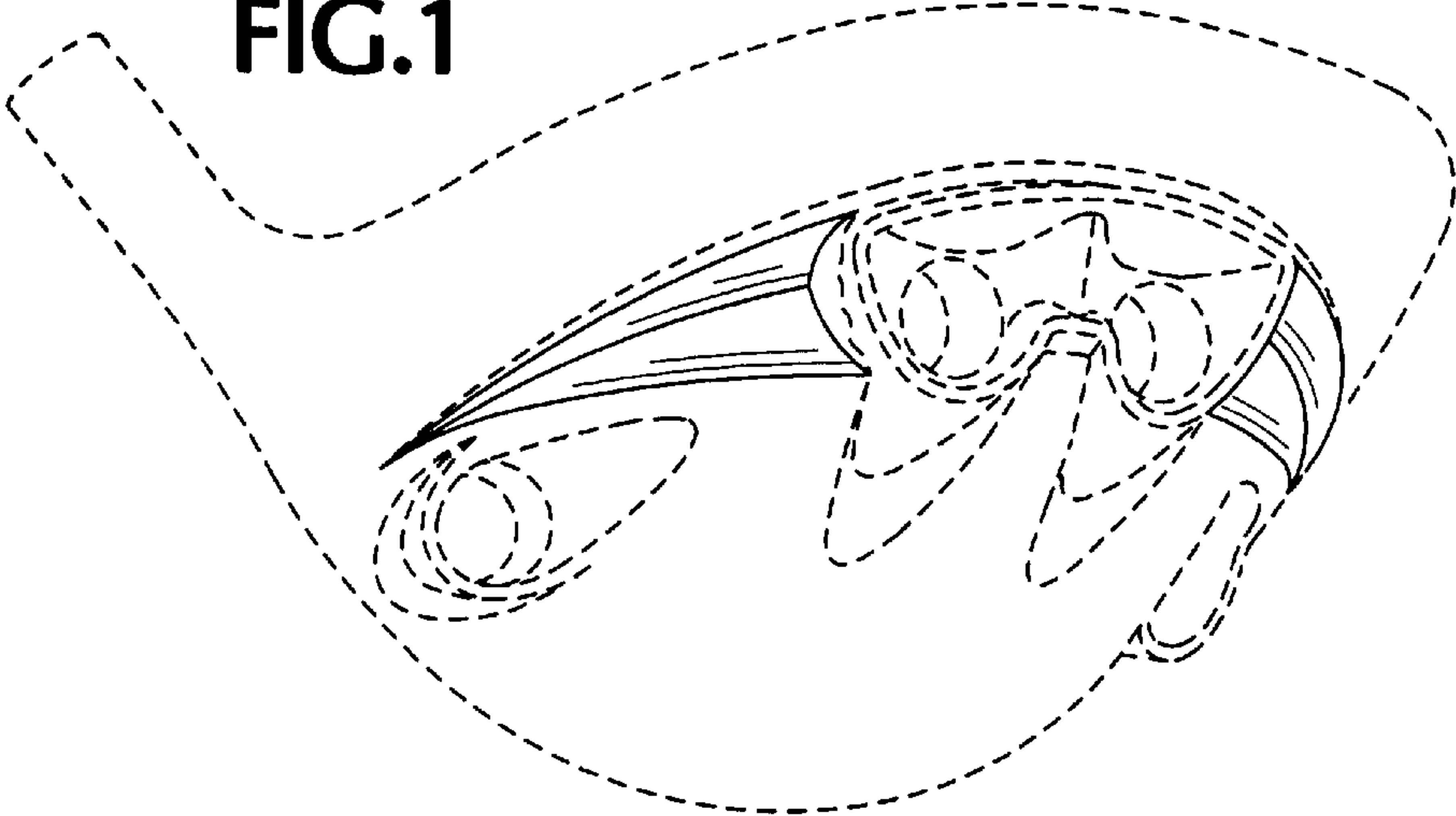
**U.S. PATENT DOCUMENTS**

D247,922 S \* 5/1978 Sheldon ..... D21/752  
D469,141 S \* 1/2003 Poynor et al. .... D21/759

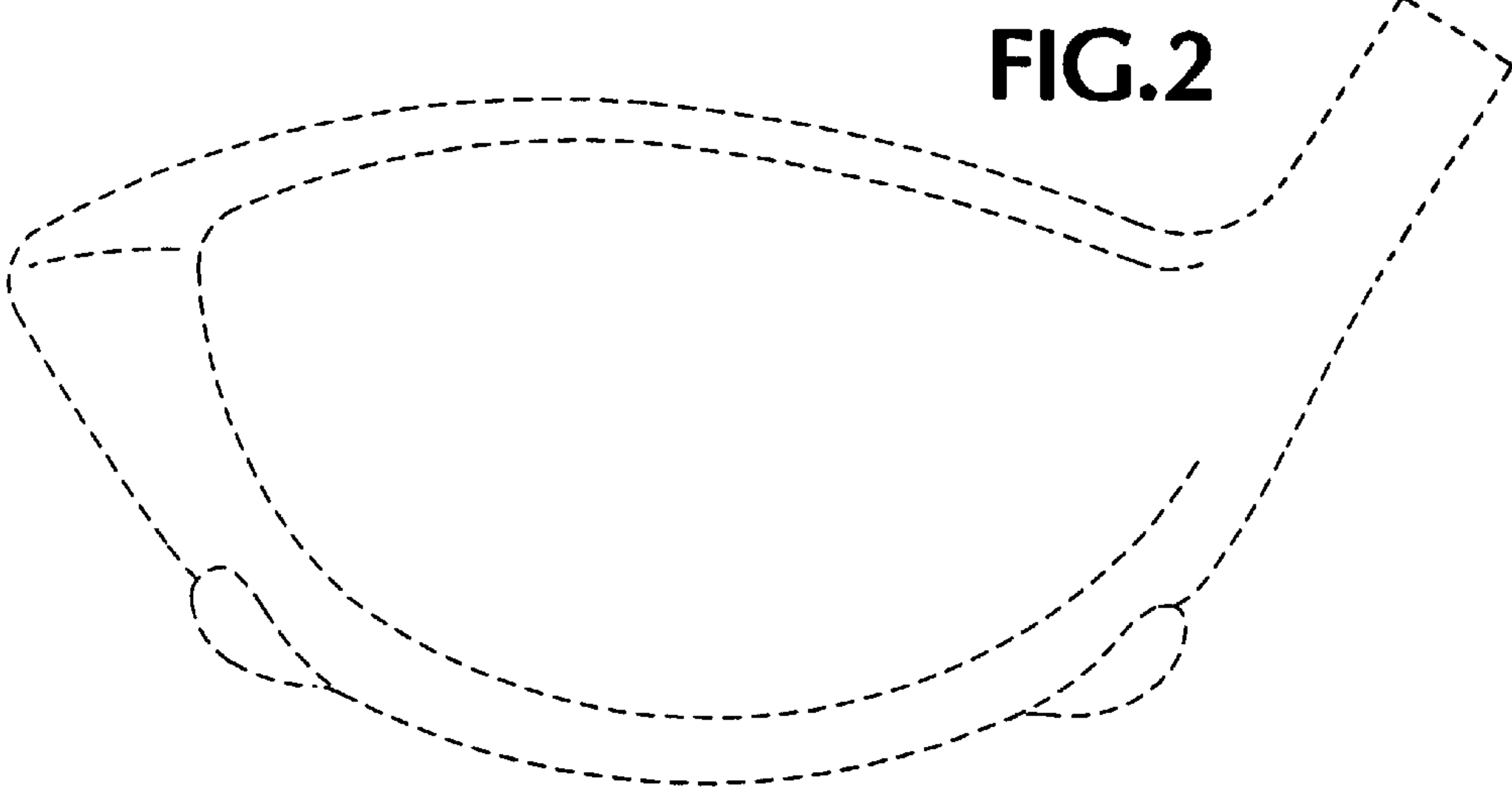
**1 Claim, 3 Drawing Sheets**



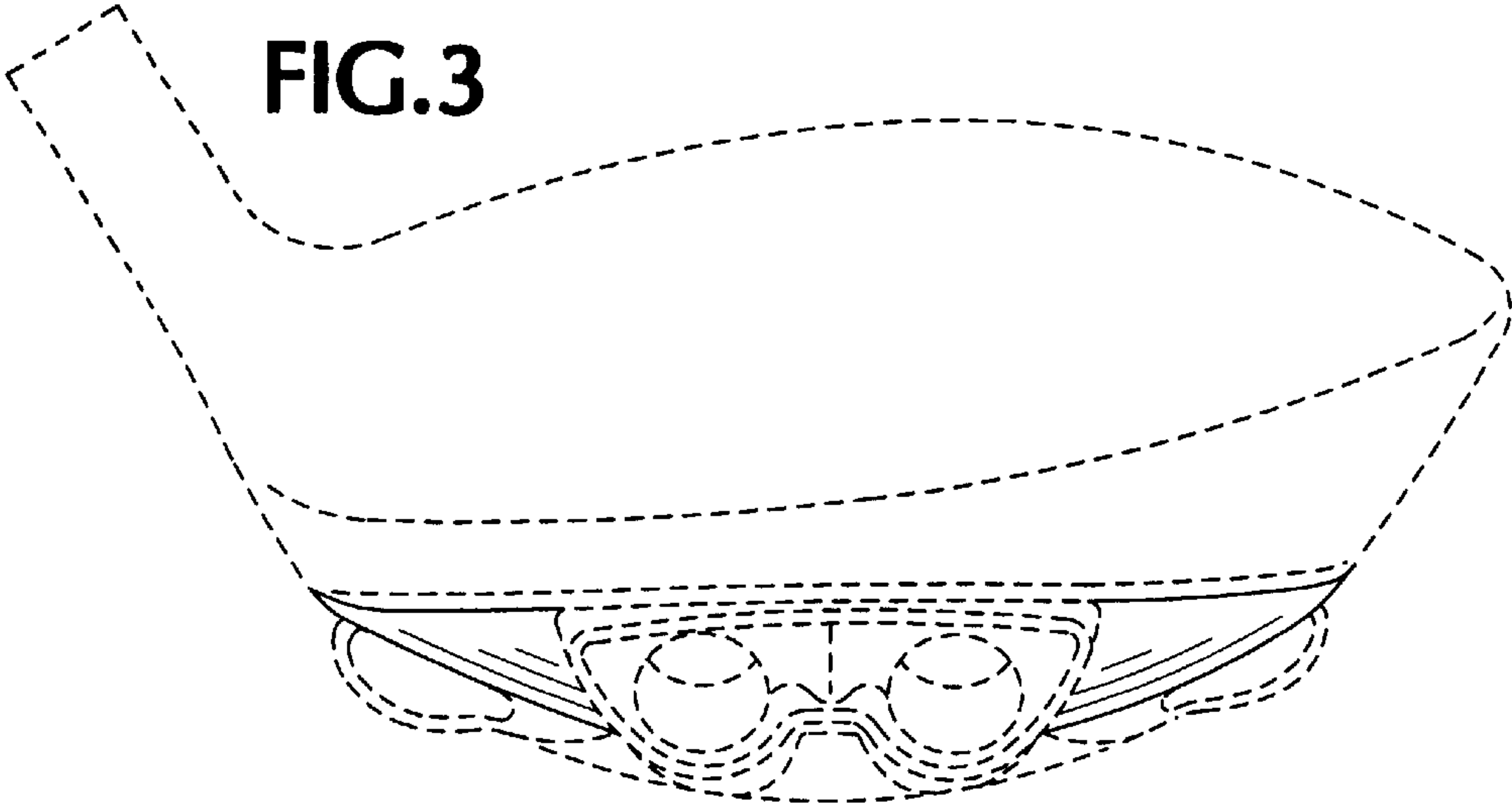
**FIG.1**

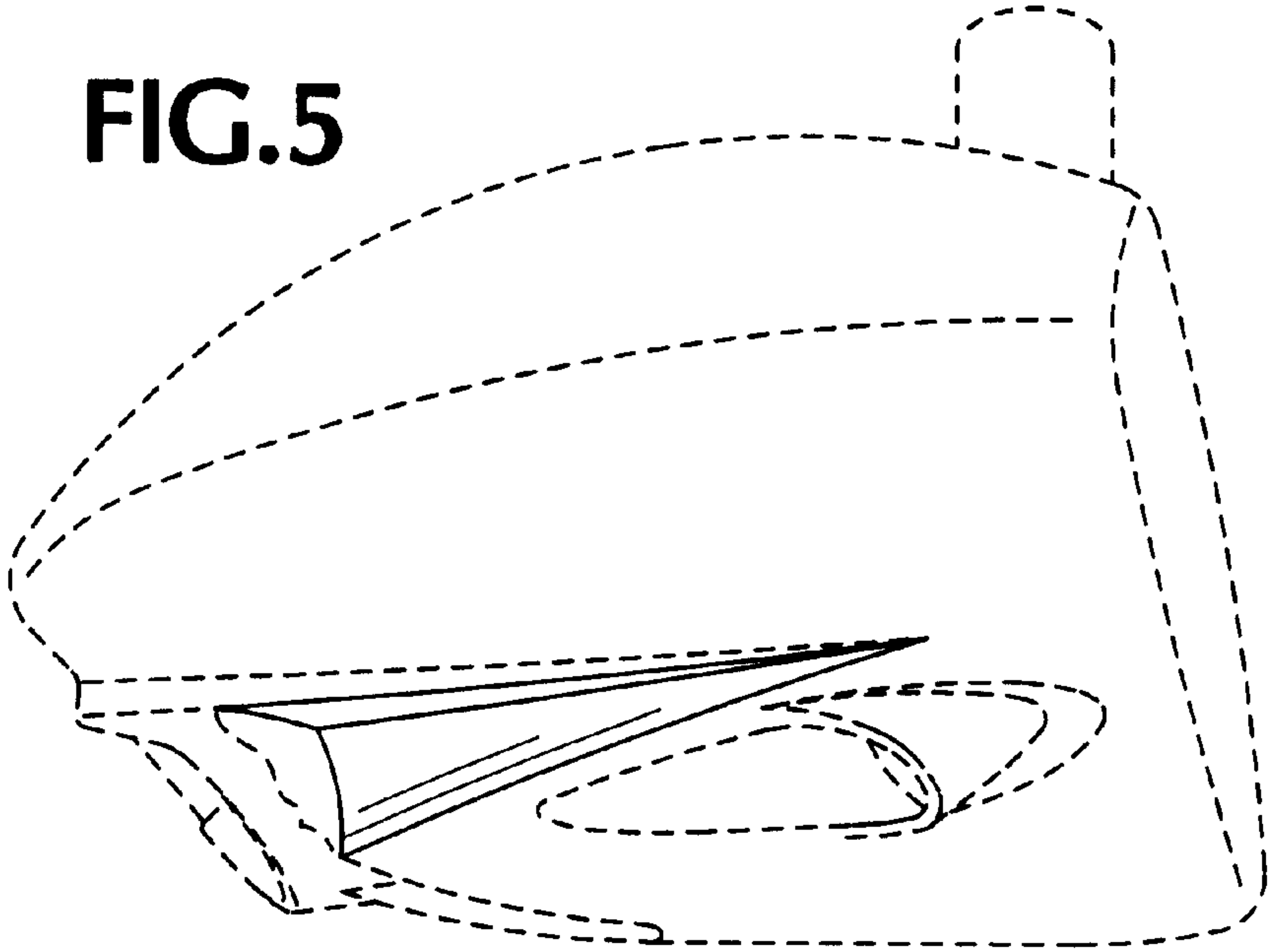
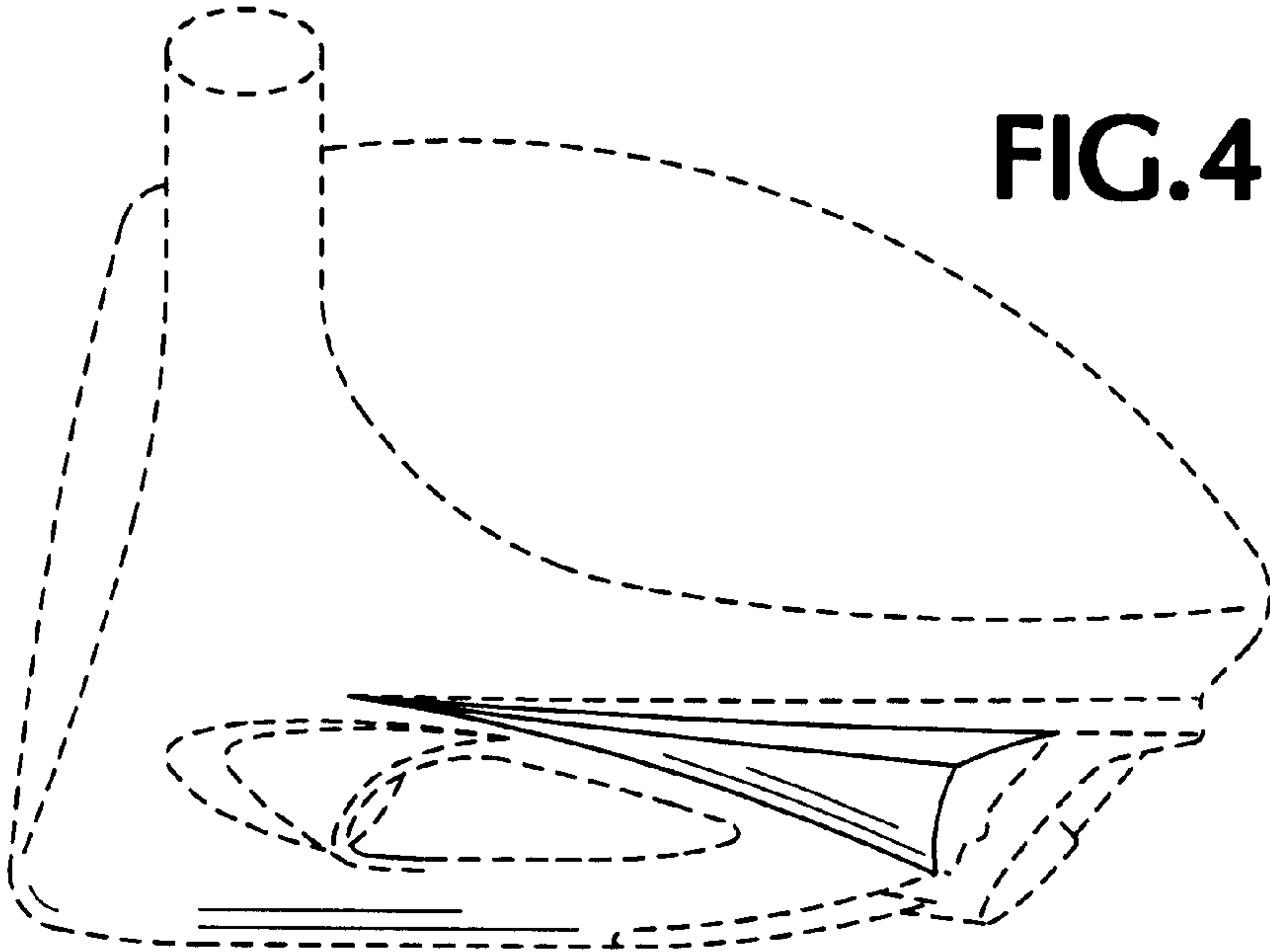


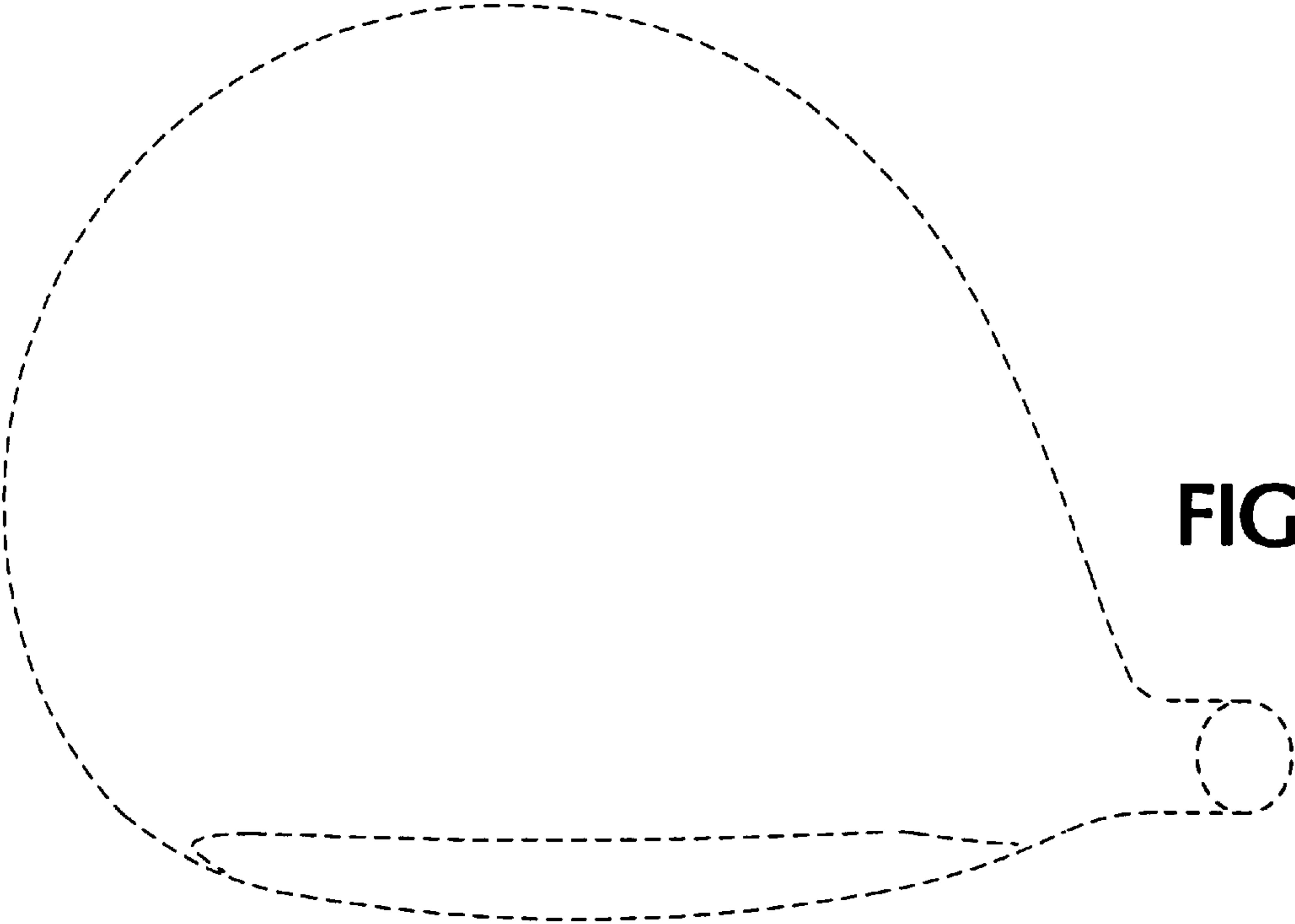
**FIG.2**



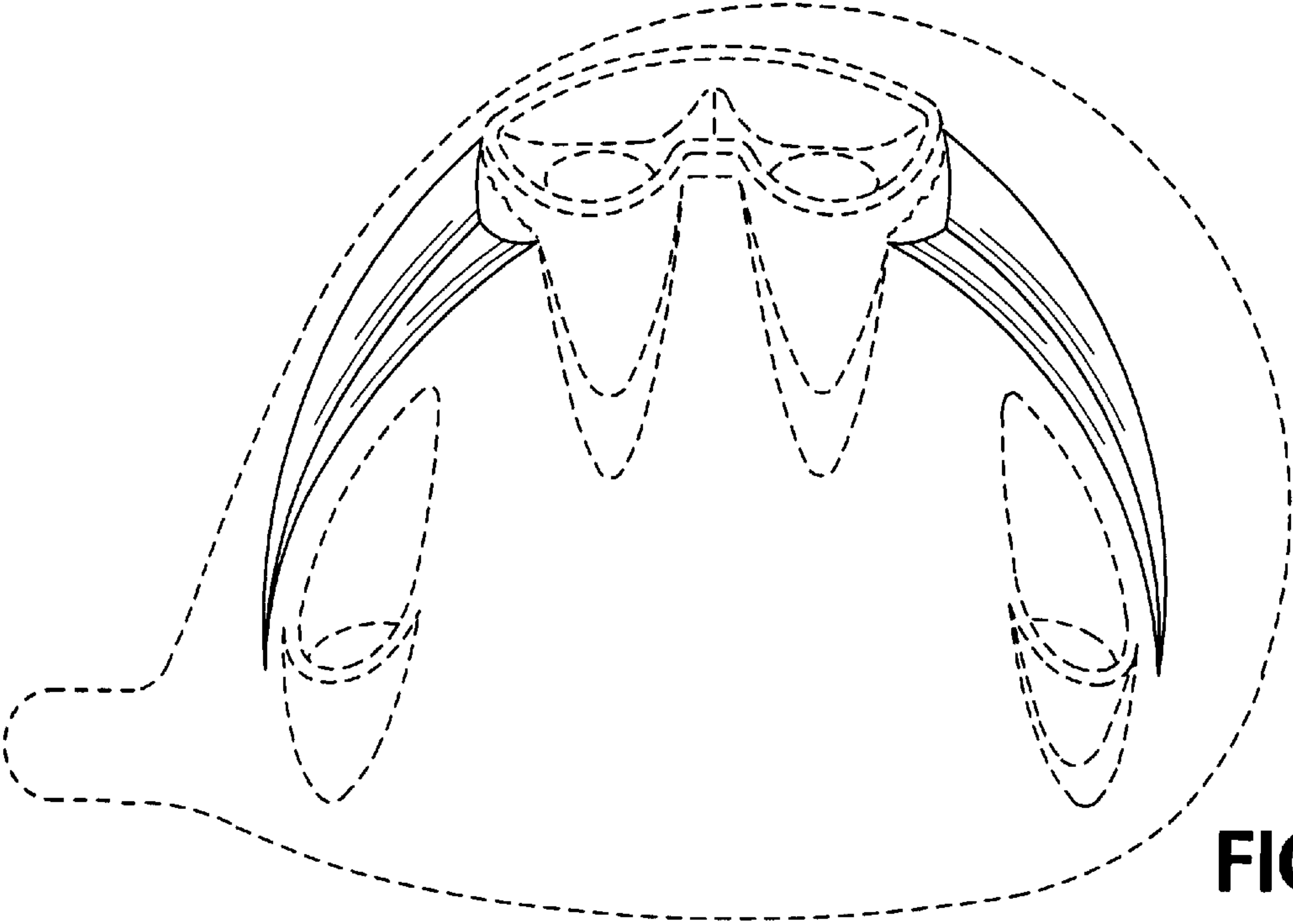
**FIG.3**







**FIG.6**



**FIG.7**